



US00D928981S

(12) **United States Design Patent** (10) **Patent No.:** **US D928,981 S**
Mongan et al. (45) **Date of Patent:** **** Aug. 24, 2021**

(54) **TOOTHBRUSH STERILIZATION SYSTEM**
(71) Applicant: **TAO Clean, LLC**, Orange, CA (US)
(72) Inventors: **Ryan Mongan**, Orange, CA (US);
Simon Ghahary, Long Beach, CA (US)
(73) Assignee: **TAO Clean, LLC**, Orange, CA (US)
(**) Term: **15 Years**
(21) Appl. No.: **29/706,110**
(22) Filed: **Sep. 18, 2019**
(51) **LOC (13) Cl.** **24-01**
(52) **U.S. Cl.**
USPC **D24/217**
(58) **Field of Classification Search**
USPC D24/216, 217, 218, 219, 232, 227–230;
D28/73; D32/1
CPC A61L 2/26; A61L 2/24; A61L 2/07; A61L
2/08; A61L 2/18; A61L 2/025; A61L
2202/122; A61L 2202/10; A61L 2202/11;
A61L 2202/14; A61L 2202/23; A61L
2202/24; A61L 2202/182
See application file for complete search history.

(56) **References Cited**

U.S. PATENT DOCUMENTS

D527,461 S *	8/2006	Yue	D24/217
D538,437 S *	3/2007	Yue	D24/217
D573,263 S *	7/2008	Pinsky	D24/217
D584,417 S *	1/2009	Massee	D24/217
D750,895 S *	3/2016	Jay	D24/217
D815,298 S *	4/2018	Gorelick	D24/217
D830,571 S *	10/2018	Ghahary	D24/217
D850,114 S *	6/2019	Ghahary	D4/102
D862,730 S *	10/2019	Hu	D24/231

(Continued)

OTHER PUBLICATIONS

TAO Clean Germ Shield UV Sanitizer—Universal Cleaning Station That Accommodates All Manual and Electric Toothbrushes. Retrived from Amazon.com on Dec. 18, 2020. Date of the product first available: Feb. 14, 2020.*

Primary Examiner — Anhdao Doan
(74) *Attorney, Agent, or Firm* — Thomas M. Freiburger

(57) **CLAIM**

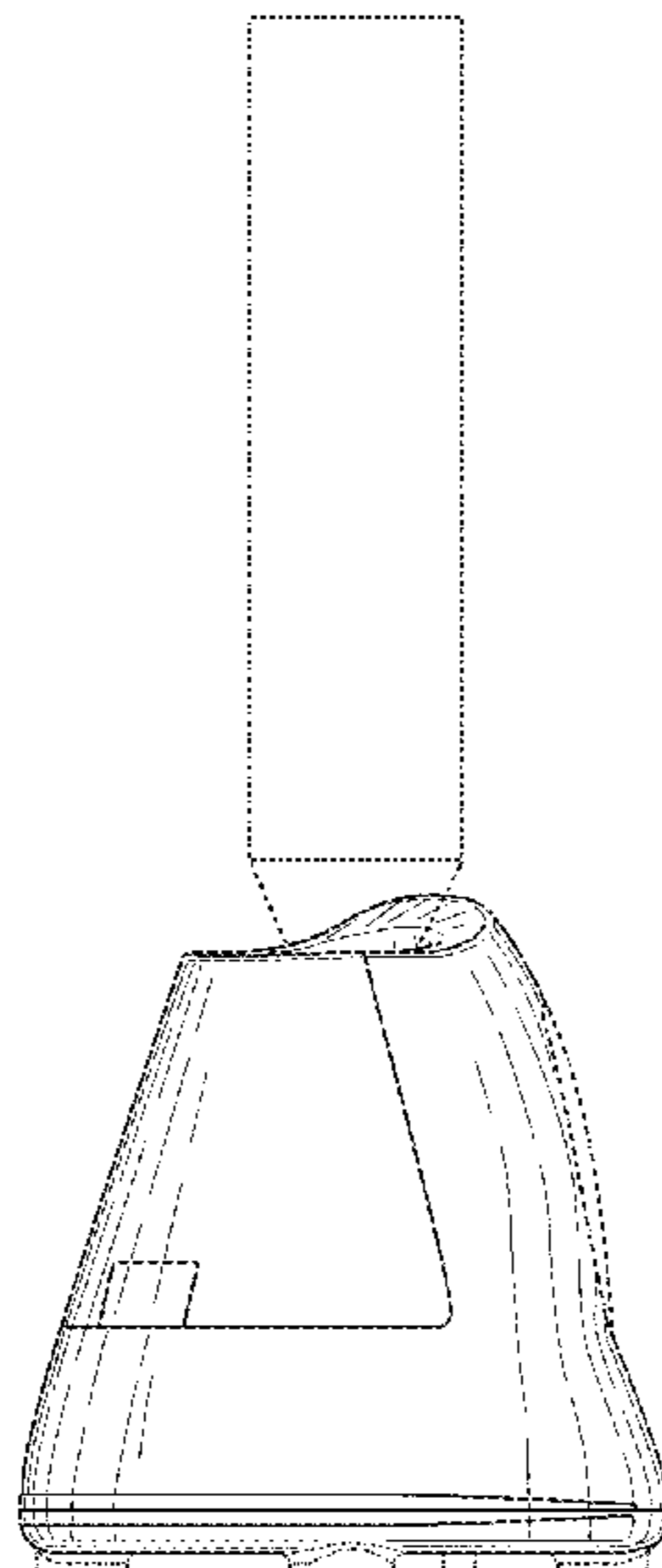
The ornamental design for a toothbrush sterilization system, as shown and described.

DESCRIPTION

FIG. 1 is a front view of the toothbrush sterilization system, with the front cover closed;
FIG. 2 is a right side view thereof, the left side being a mirror image;
FIG. 3 is a back view thereof;
FIG. 4 is a top view thereof;
FIG. 5 is a bottom view thereof;
FIG. 6 is a front, right side perspective view thereof;
FIG. 7 is a top, front, right side perspective view thereof;
FIG. 8 is a bottom, front, right side perspective view thereof;
FIG. 9 is a front view of a toothbrush sterilization system, with the cover open;
FIG. 10 is a right side view thereof, the left side being a mirror image;
FIG. 11 is a back view thereof;
FIG. 12 is a top view thereof;
FIG. 13 is a bottom, perspective view thereof;
FIG. 14 is a front, right side perspective view thereof;
FIG. 15 is a top, front, right side perspective view thereof; and,
FIG. 16 is a bottom, front, right side perspective view thereof.

The broken-line showing of a toothbrush represents an environment, and the remaining broken lines illustrate portions of the toothbrush sterilization system that form no part of the claimed design. The broken lines form no part of the claimed design.

1 Claim, 16 Drawing Sheets



(56)

References Cited

U.S. PATENT DOCUMENTS

D881,406 S *	4/2020	Kim	D24/217
D884,917 S *	5/2020	Ghahary	D24/217
2006/0029518 A1 *	2/2006	Yu	A61L 2/07
			422/62
2015/0216294 A1 *	8/2015	Mongan	A46B 17/065
			15/105

* cited by examiner

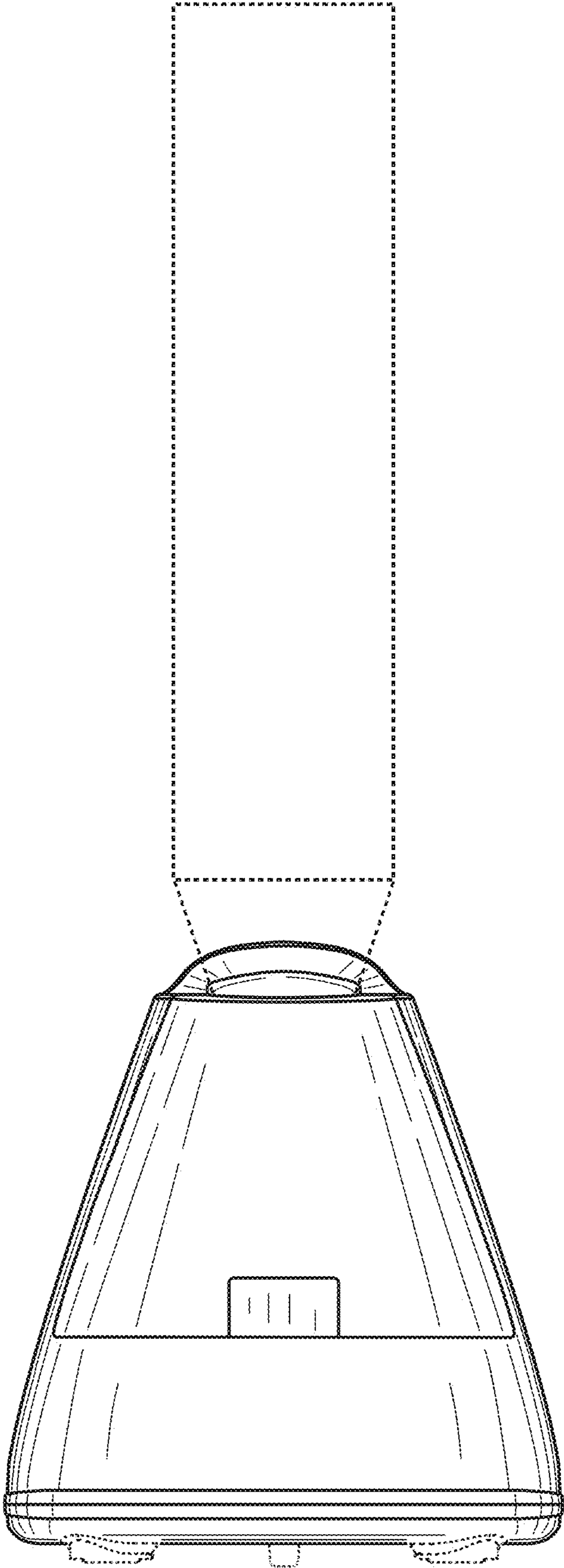


FIG. 1

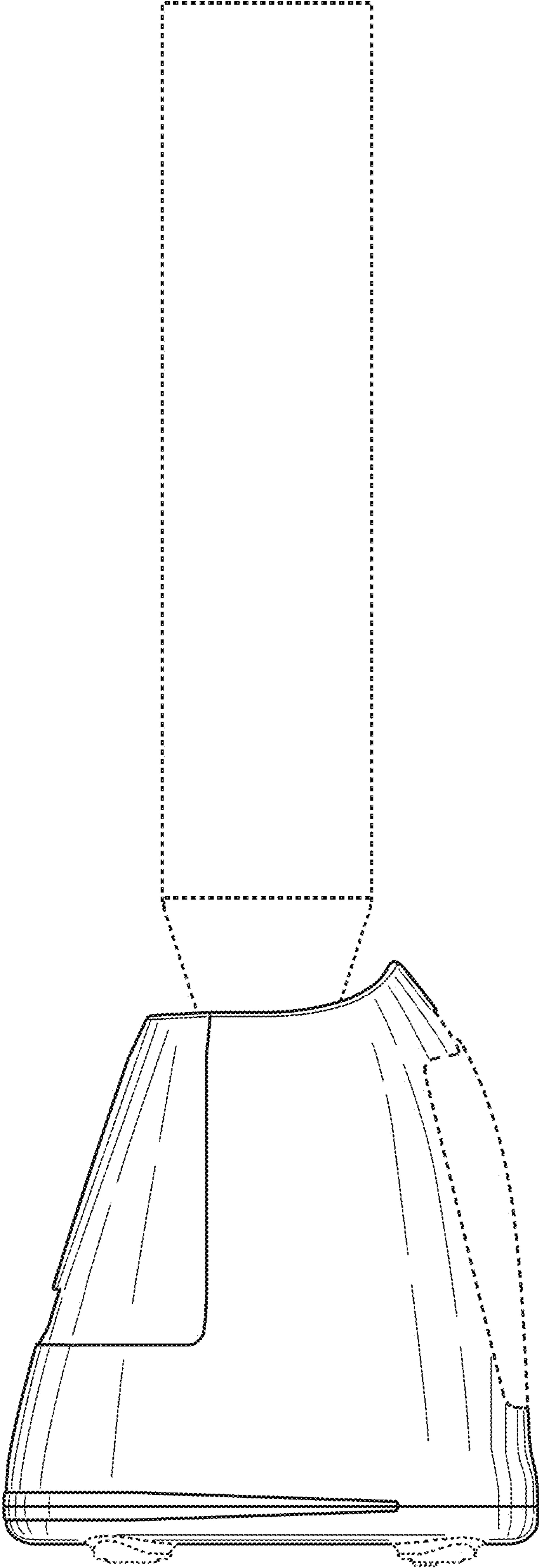


FIG. 2

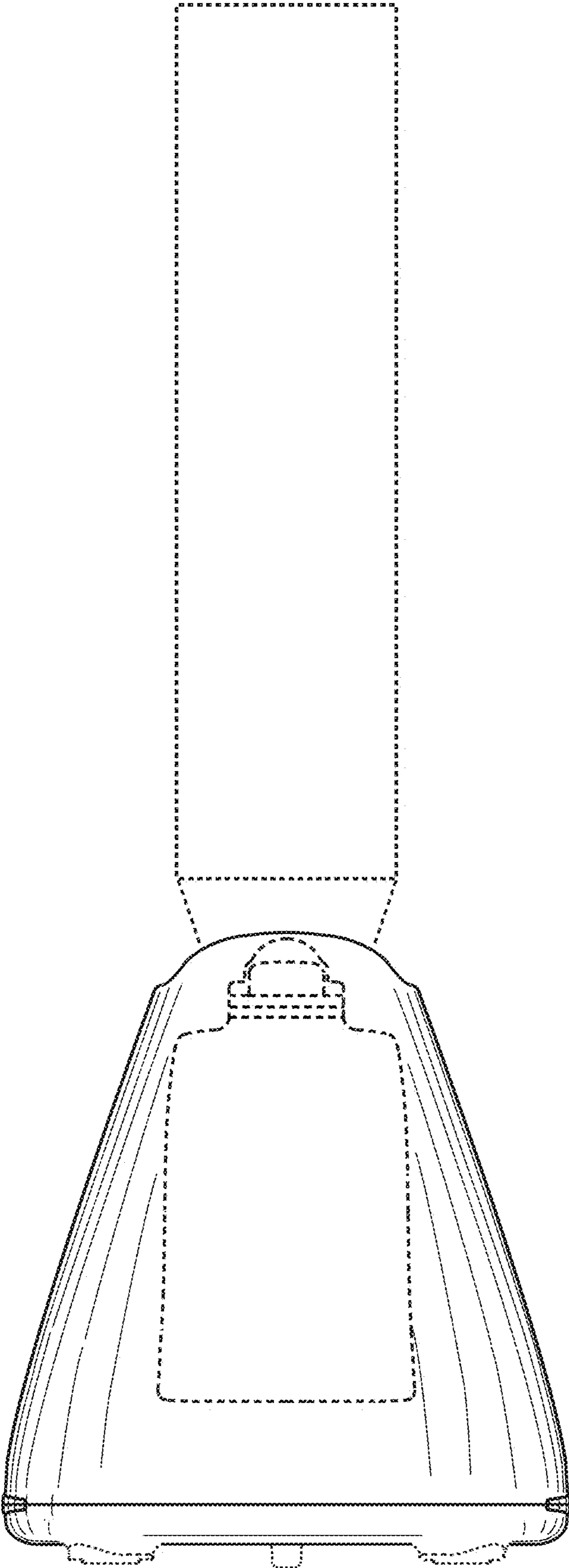


FIG. 3

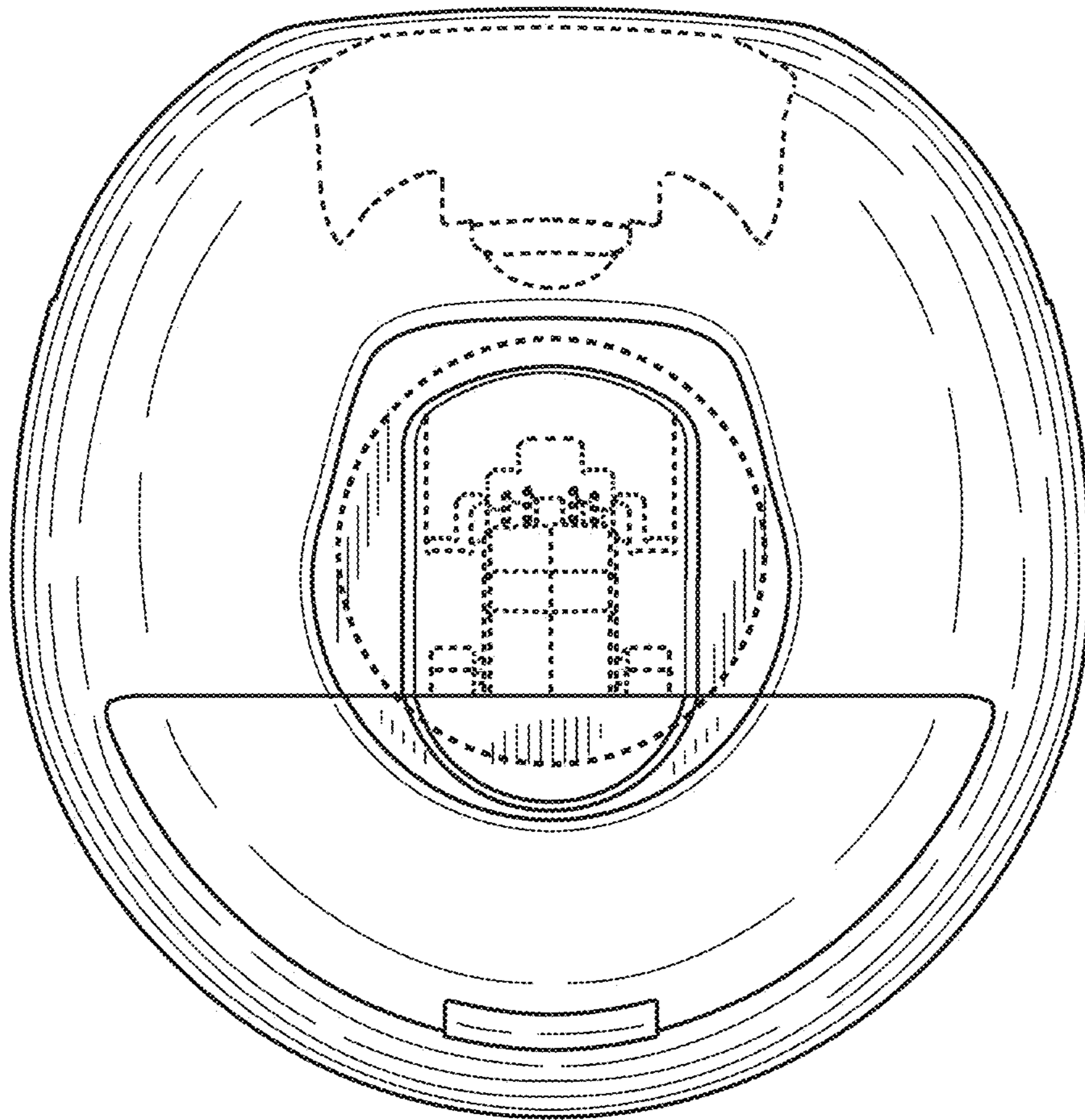


FIG. 4

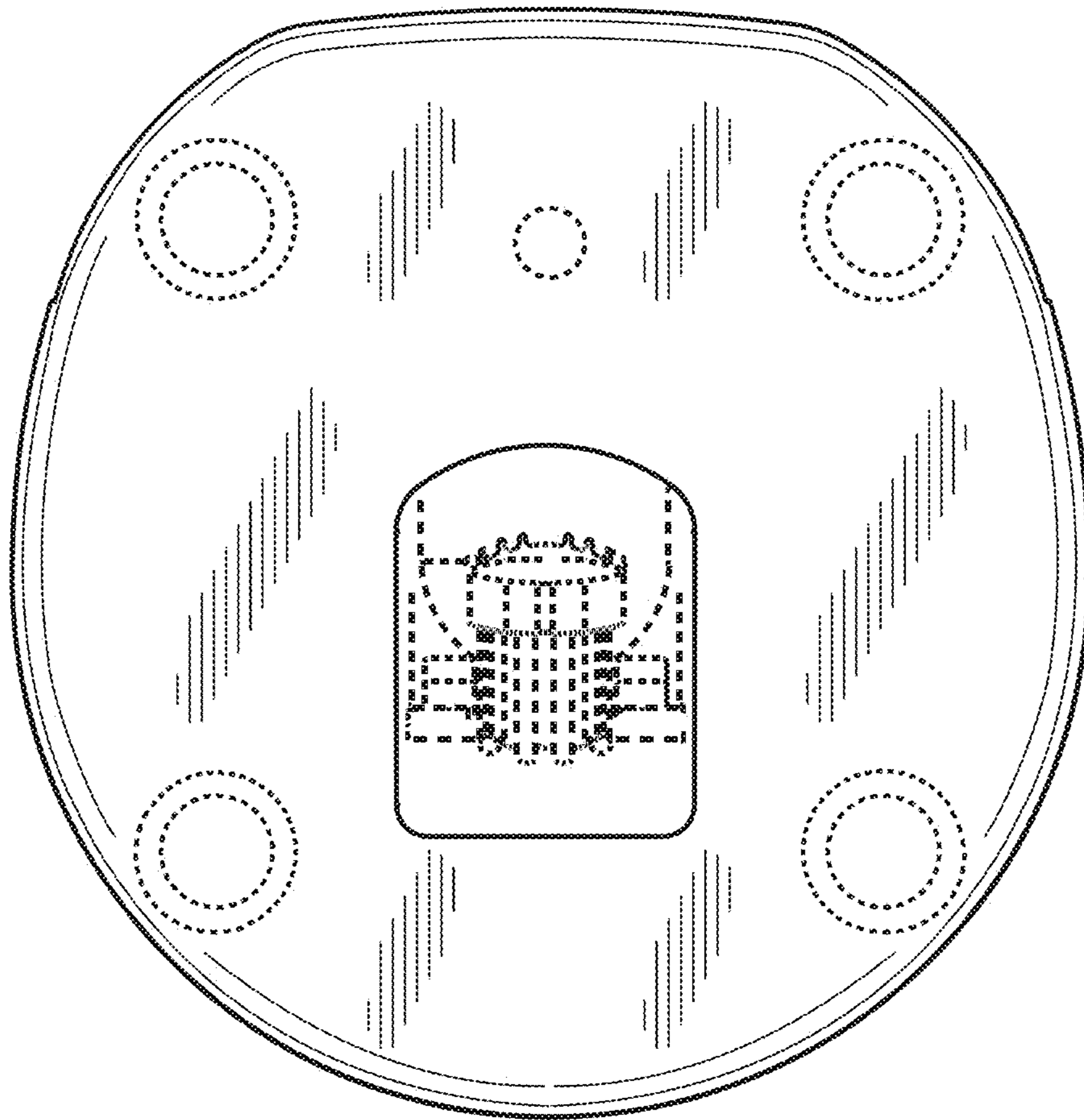


FIG. 5

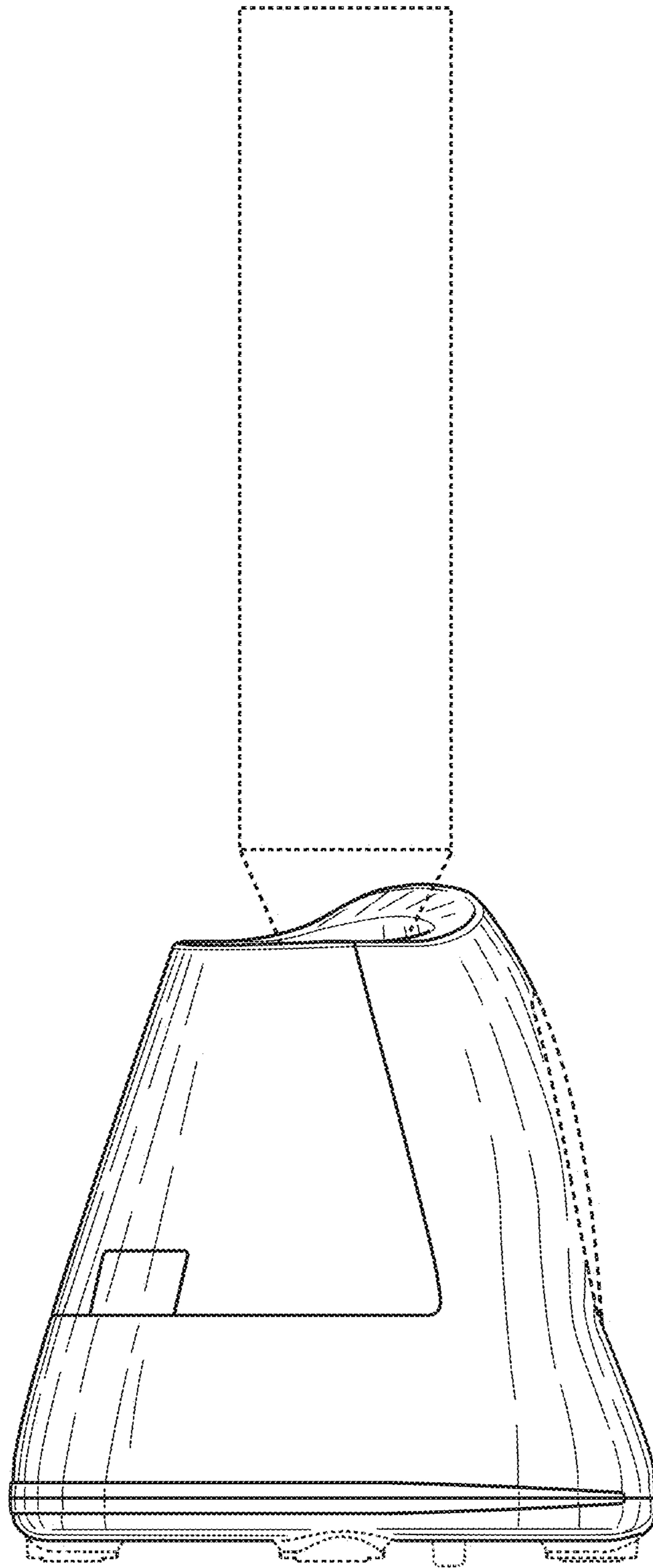


FIG. 6

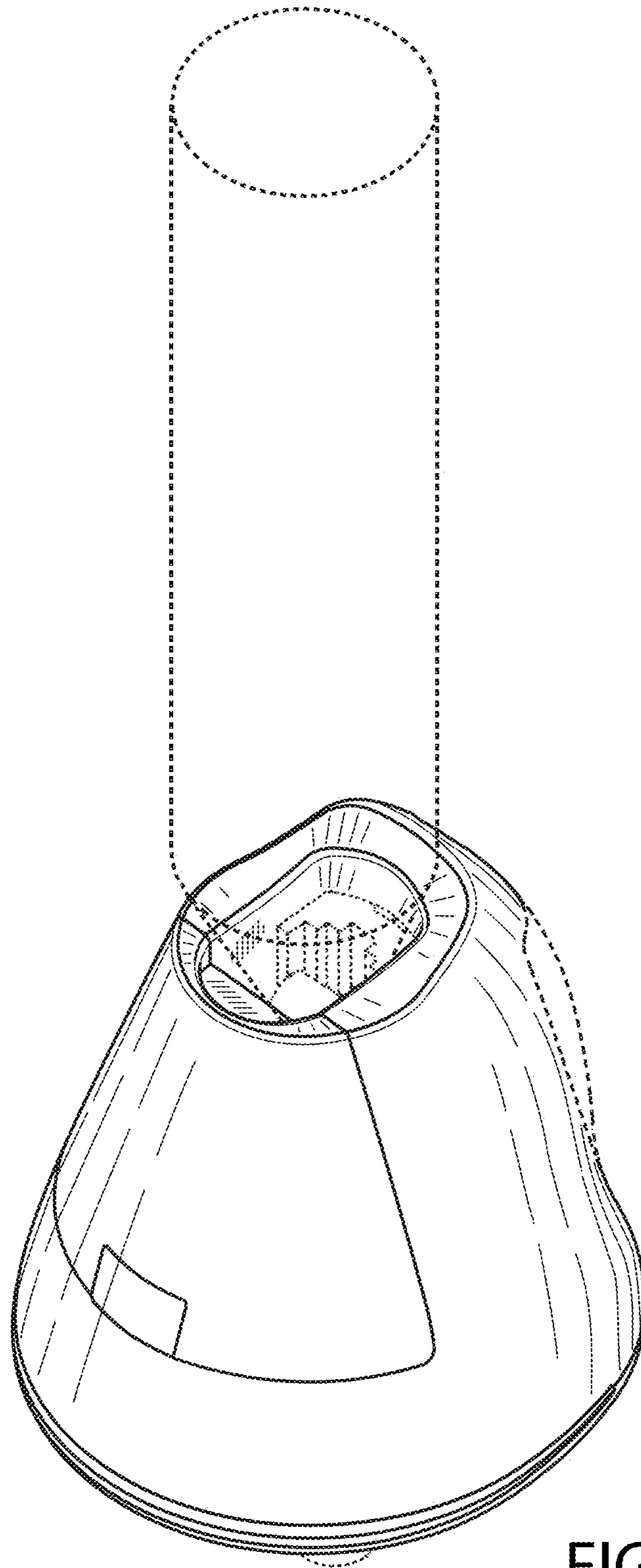


FIG. 7

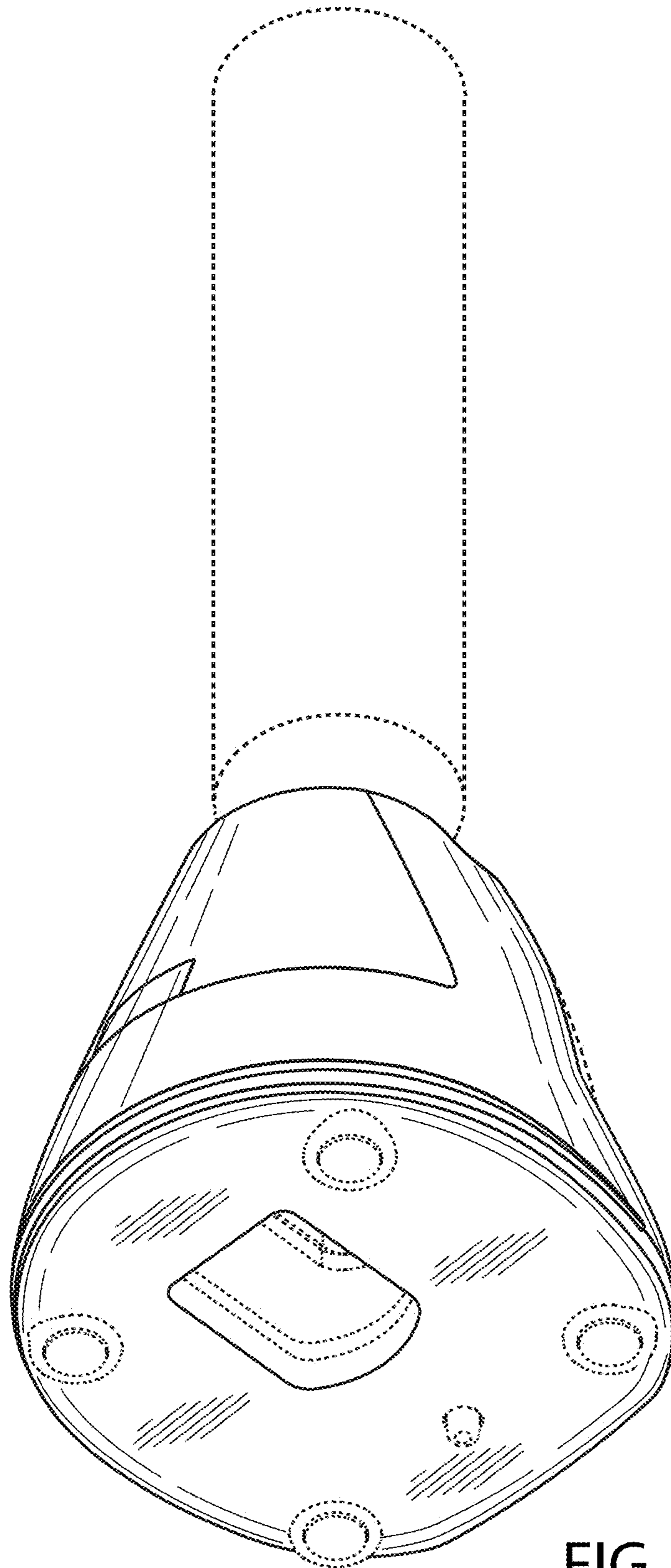


FIG. 8

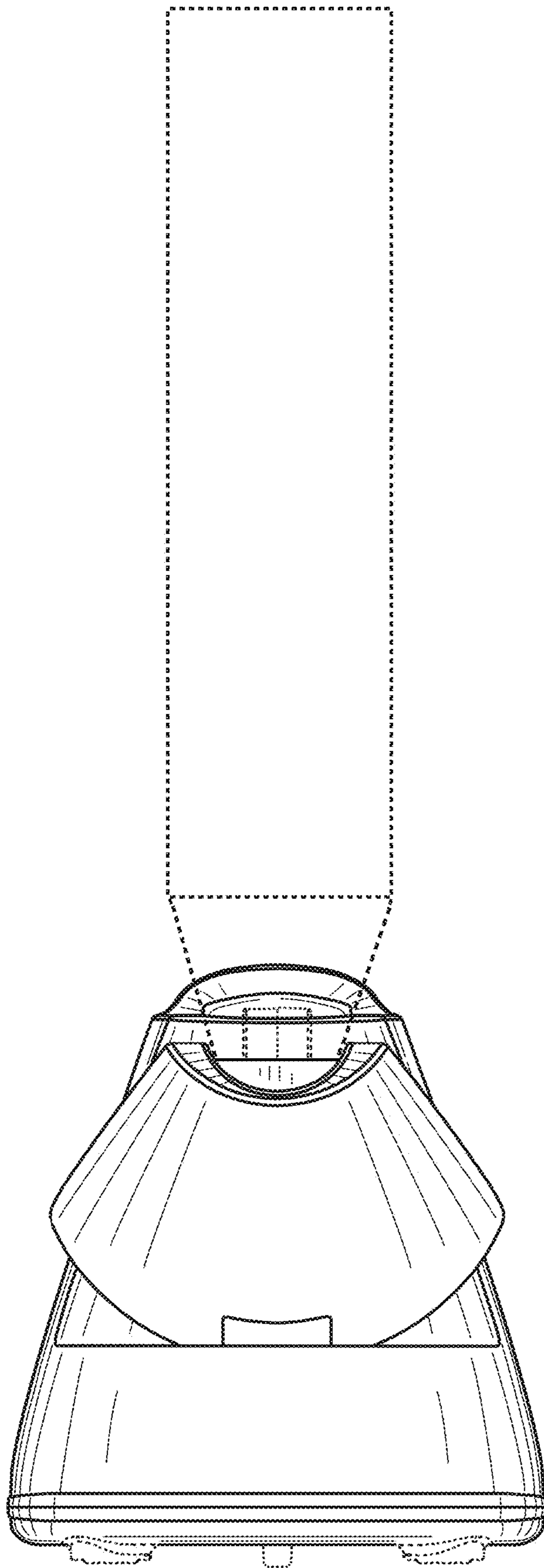


FIG. 9

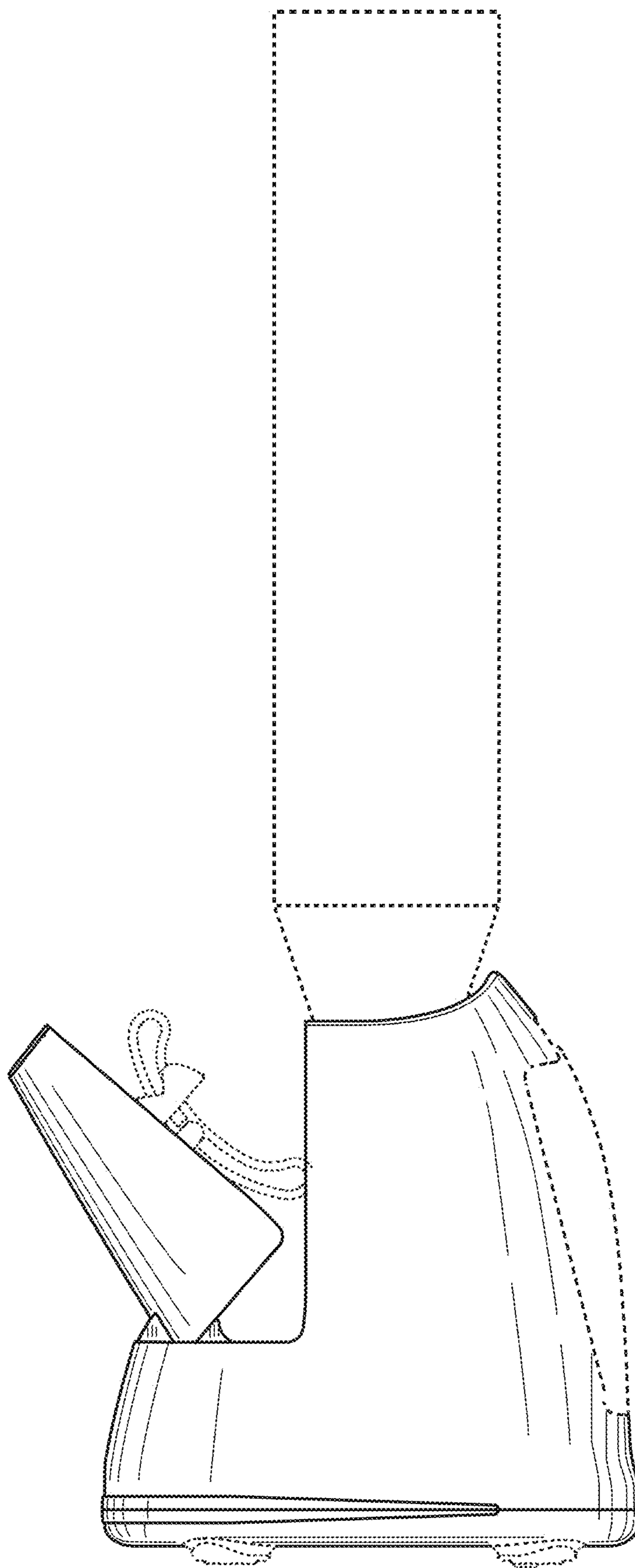


FIG. 10

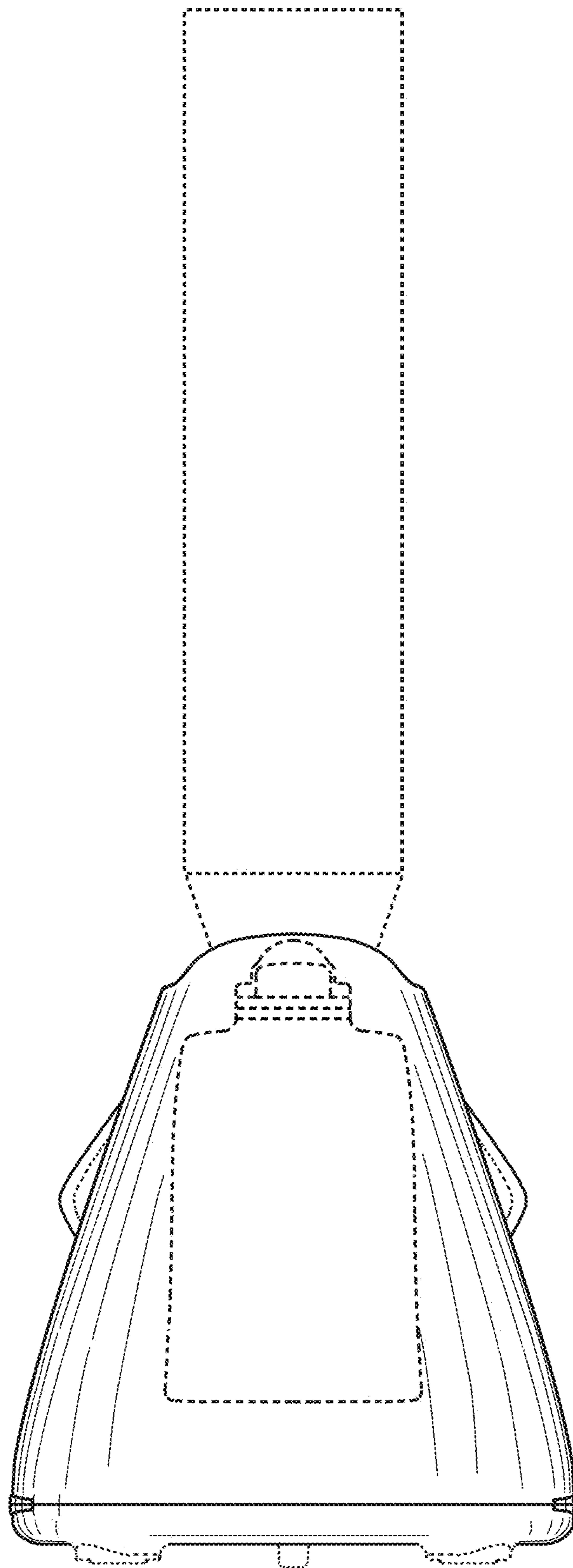


FIG. 11

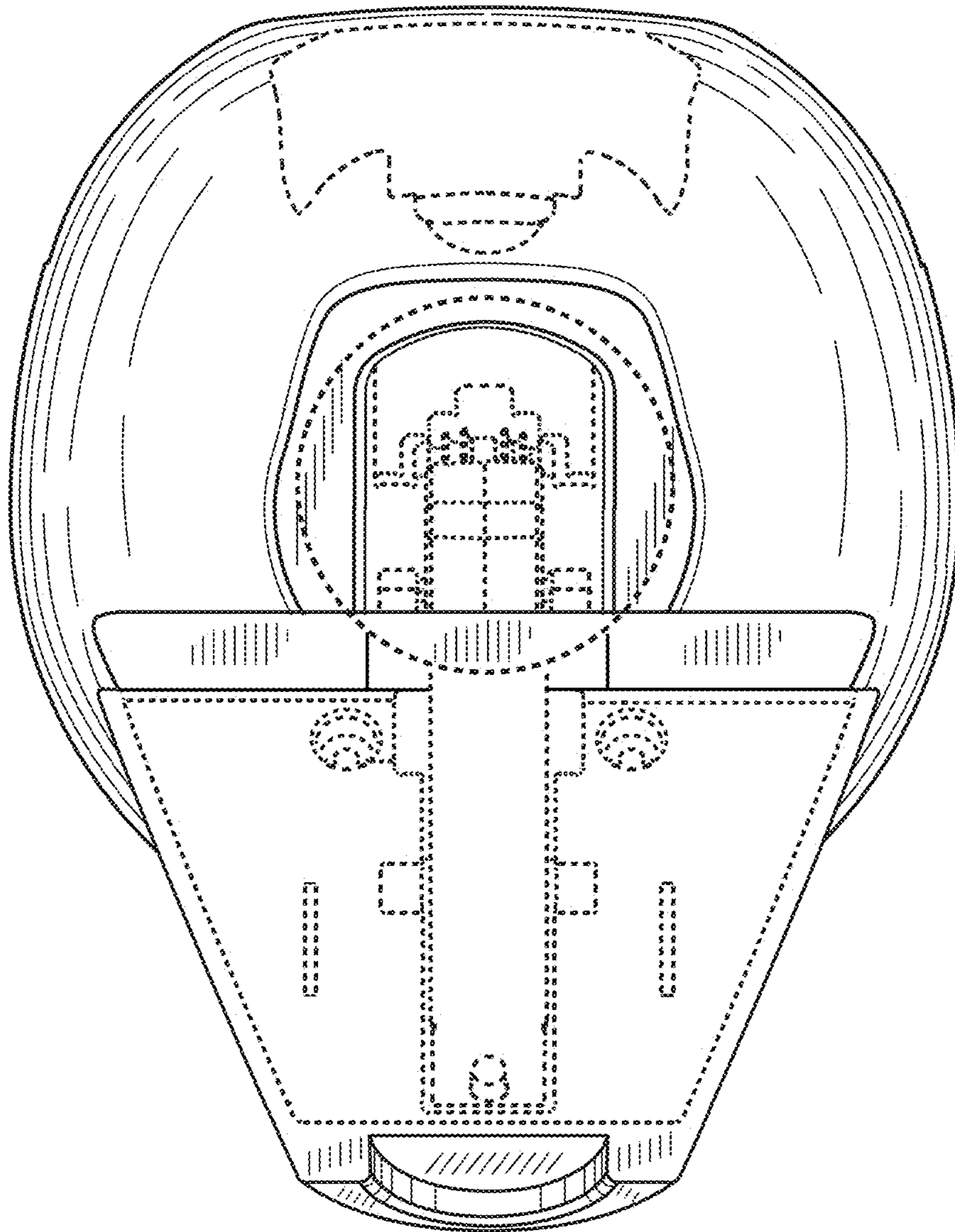


FIG. 12

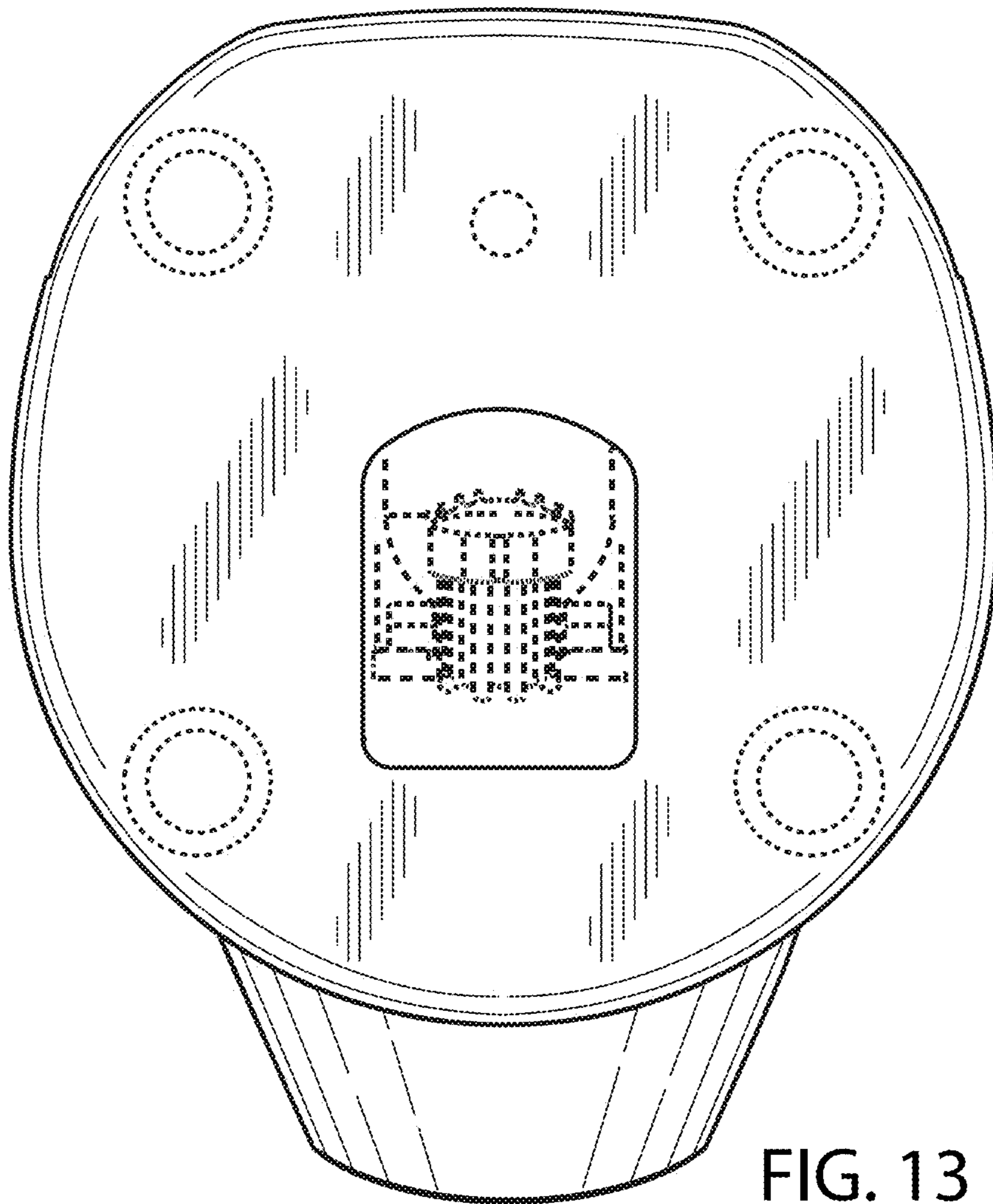


FIG. 13

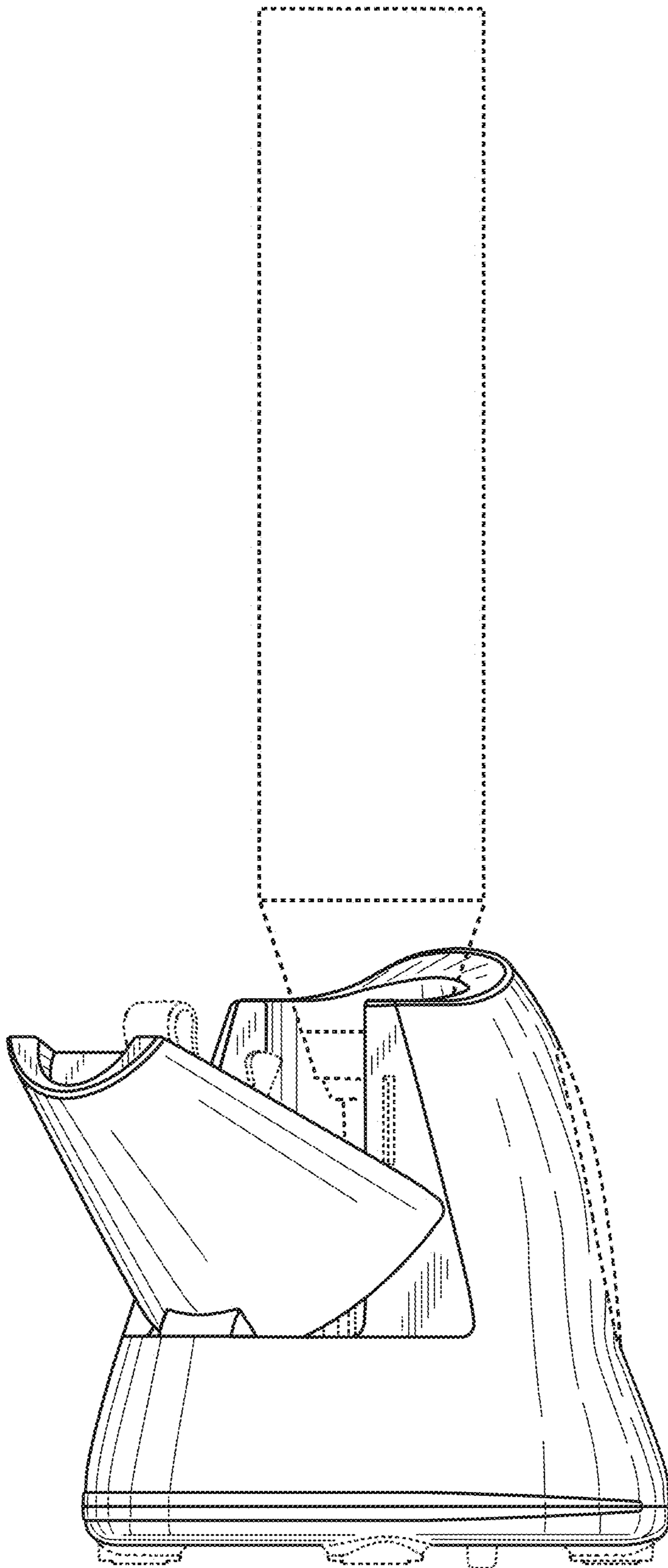


FIG. 14

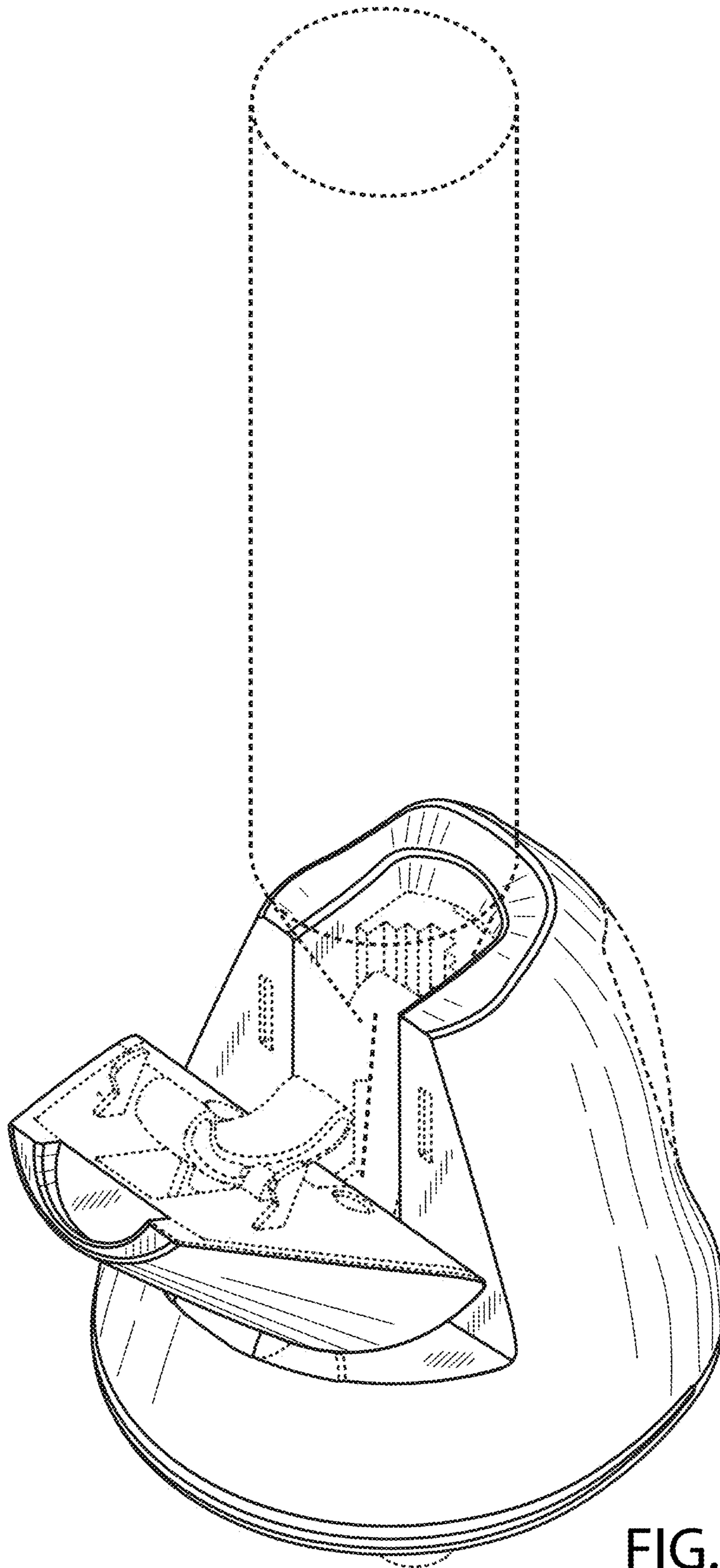


FIG. 15

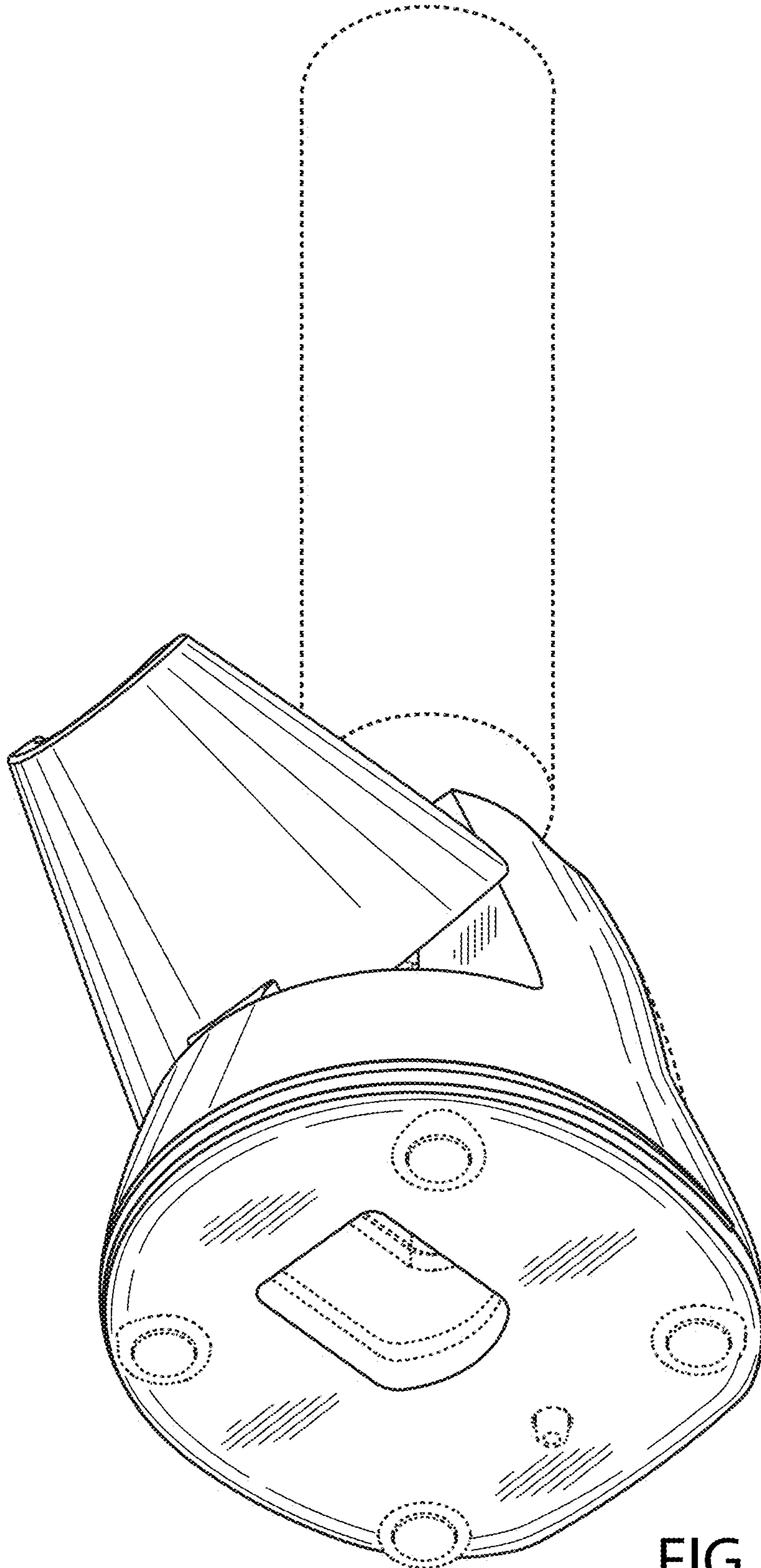


FIG. 16