



US00D928980S

(12) **United States Design Patent** (10) **Patent No.:** **US D928,980 S**  
**Fang et al.** (45) **Date of Patent:** **\*\* Aug. 24, 2021**

(54) **SALIVA TEST DEVICE**

(56) **References Cited**

(71) Applicants: **Zhejiang Orient Gene Biotech Co., Ltd**, Anji Huzhou (CN); **Healgen Scientific Limited**, Houston, TX (US)  
(72) Inventors: **Jianqiu Fang**, Anji Huzhou (CN); **Siyu Lei**, Anji Huzhou (CN); **Lili Shen**, Anji Huzhou (CN)  
(73) Assignees: **ZHEJIANG ORIENT GENE BIOTECH CO., LTD.**, Huzhou (CN); **HEALGEN SCIENTIFIC LIMITED**, Houston, TX (US)

U.S. PATENT DOCUMENTS

D426,313	S	*	6/2000	Woolston	.....	D24/223
6,440,087	B1	*	8/2002	Sangha	.....	A61B 10/0051 600/582
D631,556	S	*	1/2011	Shi	.....	D24/225
D634,023	S	*	3/2011	Wei	.....	D24/223
D667,562	S	*	9/2012	Nguyen	.....	D24/224
D772,428	S	*	11/2016	Fumito	.....	D24/225
D825,075	S	*	8/2018	Alderete	.....	D24/224
D831,845	S	*	10/2018	Sugie	.....	D24/225
D855,825	S	*	8/2019	Parsons	.....	D24/223
D863,589	S	*	10/2019	Fang	.....	D24/223
10,451,613	B1	*	10/2019	Wang	.....	B01L 3/5023
2004/0019301	A1	*	1/2004	Wong	.....	A61B 5/145 600/584
2010/0122587	A1	*	5/2010	Sun	.....	A61B 10/0051 73/864

(\*\*) **Term:** **15 Years**

(21) **Appl. No.:** **29/724,174**

(22) **Filed:** **Feb. 13, 2020**

(30) **Foreign Application Priority Data**

Aug. 14, 2019 (CN) ..... 201930441327.6  
Aug. 14, 2019 (CN) ..... 201930441330.8

(51) **LOC (13) Cl.** ..... **24-01**

(52) **U.S. Cl.**  
USPC ..... **D24/216; D24/223**

(58) **Field of Classification Search**  
USPC ..... D24/216, 223-233, 186, 107, 121;  
D10/81  
CPC ..... B01L 3/5029; B01L 3/508; B01L 3/5082;  
B01L 3/50825; B01L 2300/046; B01L  
2300/047; B01L 2300/049; B01L  
2300/0832; A61B 10/0051; A61B 10/007;  
A61B 10/0074; A61B 10/0038; A61B  
10/0096

See application file for complete search history.

\* cited by examiner

*Primary Examiner* — Anhdao Doan

(74) *Attorney, Agent, or Firm* — NZ Carr Law Office

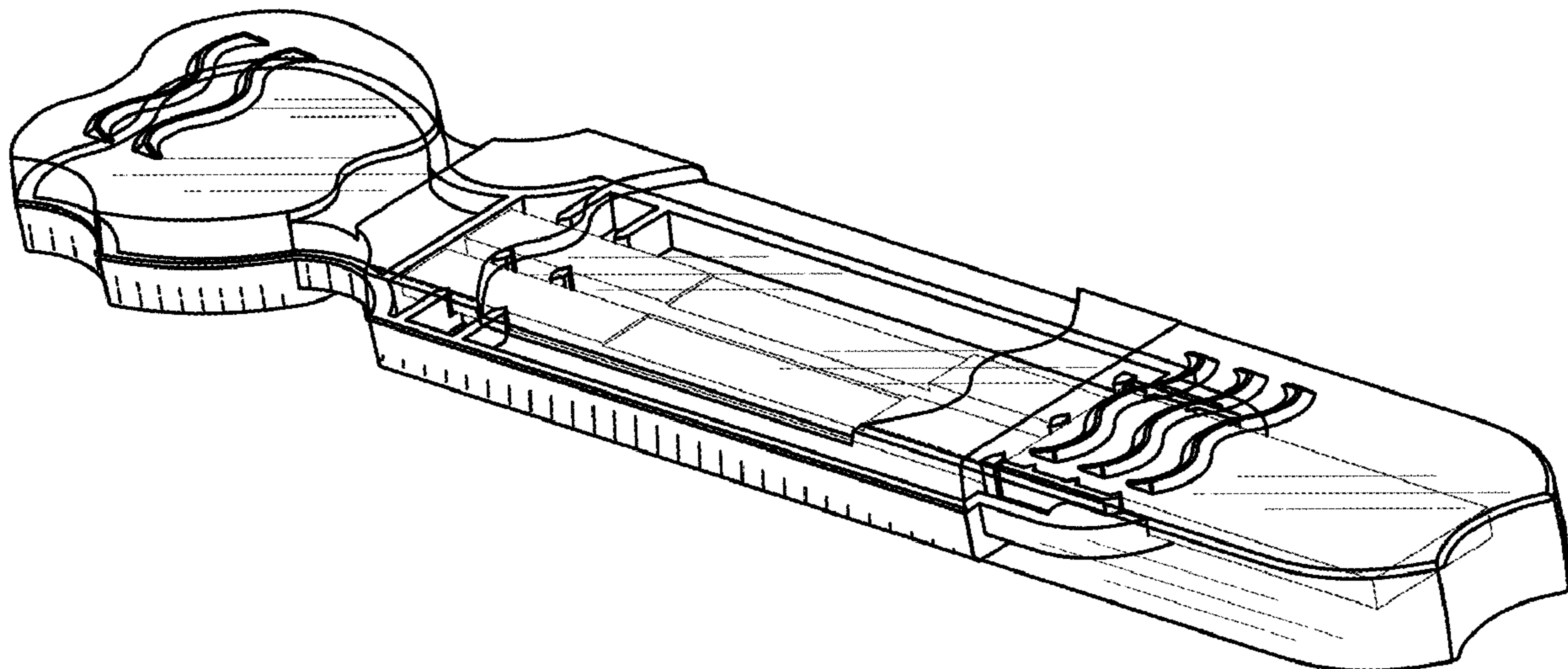
(57) **CLAIM**

The ornamental design for a saliva test device, as shown and described.

**DESCRIPTION**

FIG. 1 is a top view of a saliva test device according to the present design;  
FIG. 2 is a bottom view thereof;  
FIG. 3 is a left side view thereof;  
FIG. 4 is a right side view thereof;  
FIG. 5 is a rear view thereof;  
FIG. 6 is a front view thereof; and,  
FIG. 7 is a top perspective view thereof.

**1 Claim, 7 Drawing Sheets**



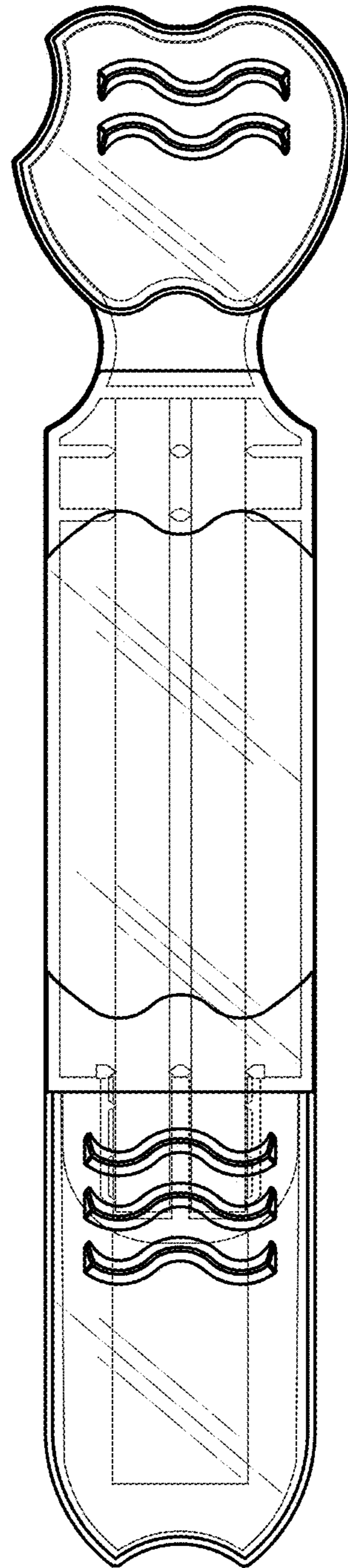


FIG. 1

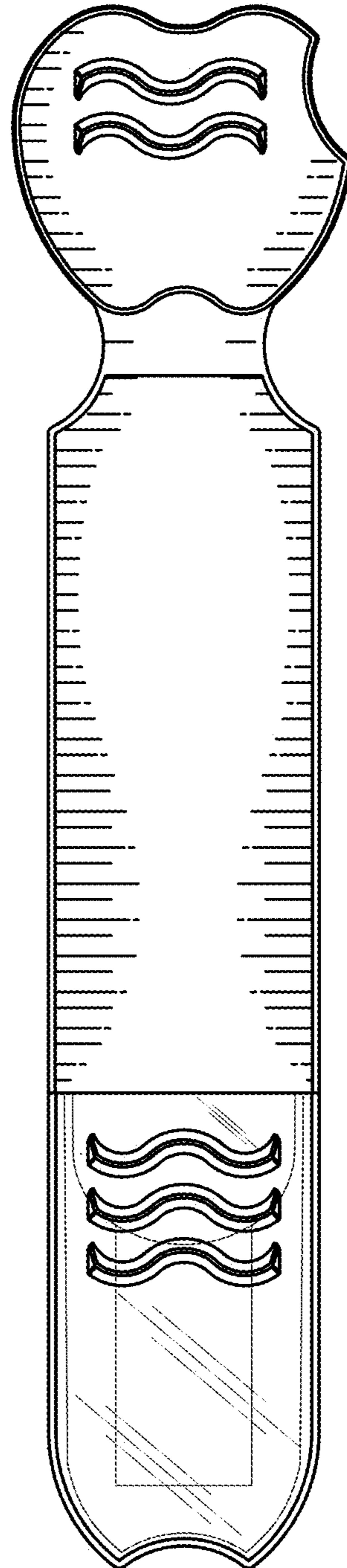


FIG. 2

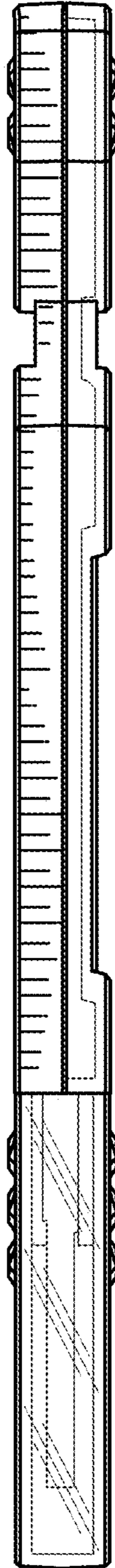


FIG. 3

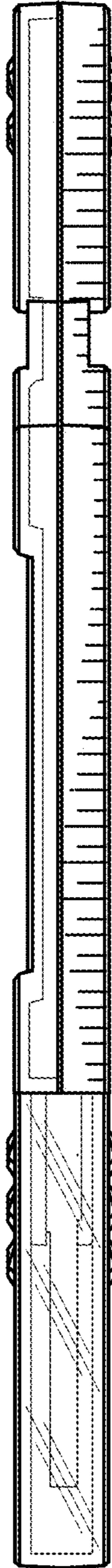


FIG. 4

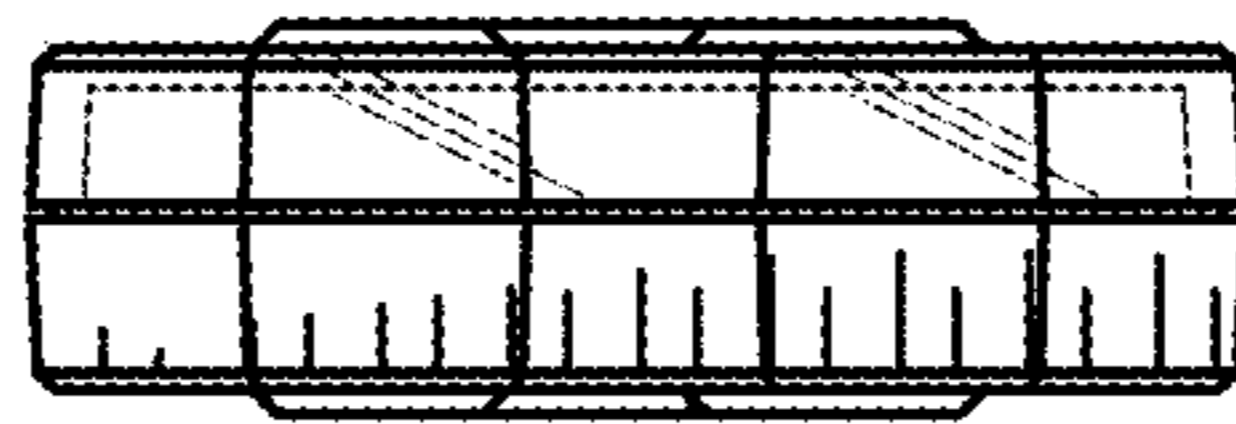


FIG. 5

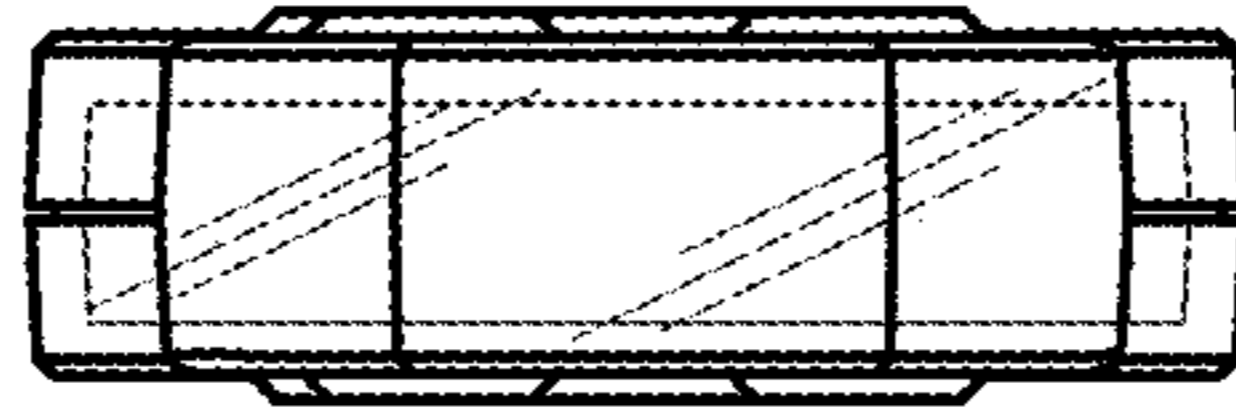


FIG. 6

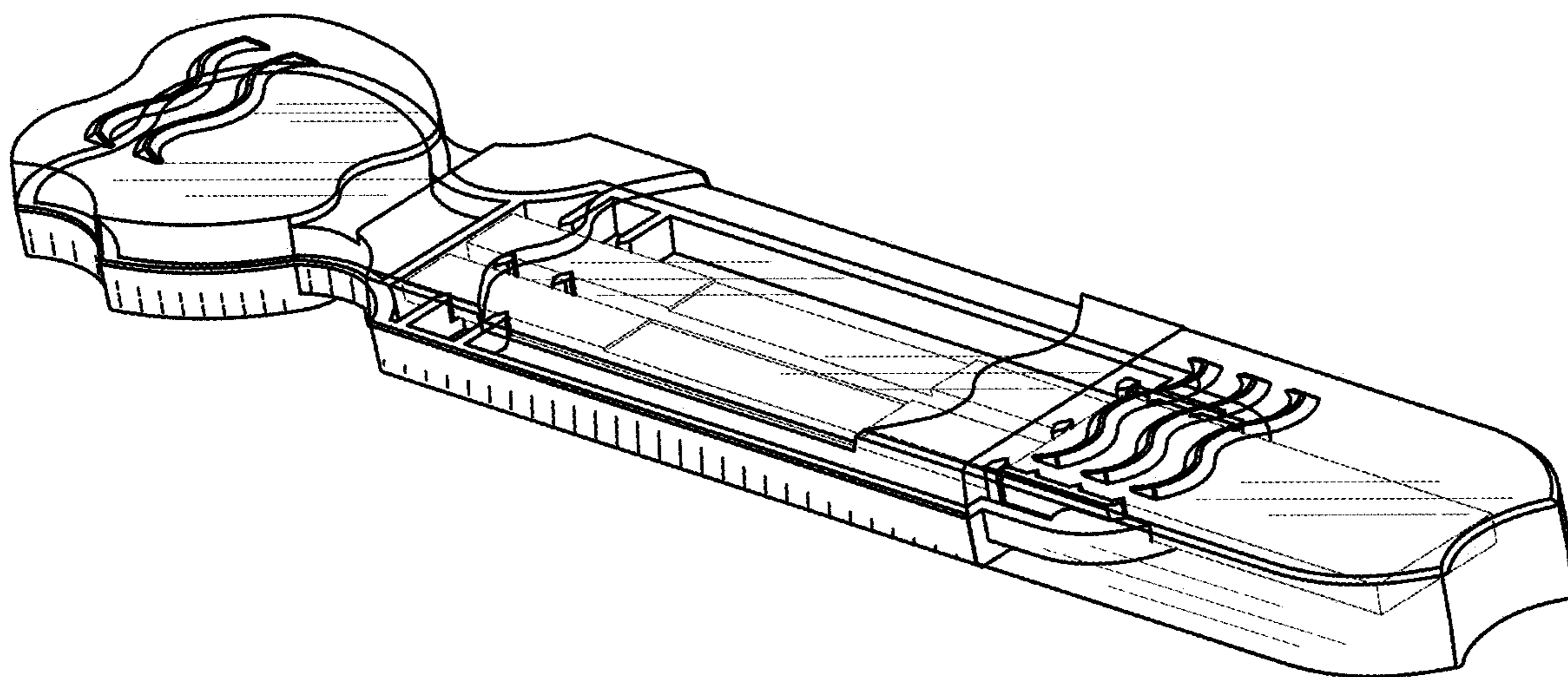


FIG. 7