



US00D928978S

(12) **United States Design Patent** (10) **Patent No.:** **US D928,978 S**
Ye et al. (45) **Date of Patent:** **** Aug. 24, 2021**

(54) **LIGHT THERAPY LAMP**

(56) **References Cited**

(71) Applicant: **THE NEW GENIUS(SZ) TECHNOLOGY CO., LIMITED**,
Guangdong (CN)
(72) Inventors: **Jianrong Ye**, Guangdong (CN); **Dong Chen**, Guangdong (CN)
(73) Assignee: **THE NEW GENIUS(SZ) TECHNOLOGY CO., LIMITED**,
Guangdong (CN)

U.S. PATENT DOCUMENTS

D396,120 S *	7/1998	Petruzzi	D26/37
D599,485 S *	9/2009	Burrows	D24/209
D641,490 S *	7/2011	Fernie	D24/210
D704,851 S *	5/2014	Douglas	D24/209
D707,676 S *	6/2014	Azuma	D14/385
D707,677 S *	6/2014	Azuma	D14/385
D729,793 S *	5/2015	Hickok	D14/336
D733,915 S *	7/2015	Stuyfzand	D24/231
D760,398 S *	6/2016	Douglas	D24/210
D760,913 S *	7/2016	Douglas	D24/210
D804,474 S *	12/2017	Won	D14/371
D807,522 S *	1/2018	Berke	D24/210
D835,291 S *	12/2018	Lei	D24/209
D862,716 S *	10/2019	Cryan	D24/200
D875,265 S *	2/2020	Li	D24/210
D878,376 S *	3/2020	Claudepierre	D14/440

(**) Term: **15 Years**

(21) Appl. No.: **29/710,514**

(22) Filed: **Oct. 24, 2019**

(30) **Foreign Application Priority Data**

Sep. 24, 2019 (CN) 201930524576.1

(51) **LOC (13) Cl.** **28-03**

(52) **U.S. Cl.**
USPC **D24/210; D26/93**

(58) **Field of Classification Search**
USPC D24/107, 185, 186, 200, 209, 210, 214,
D24/215, 231; D26/37-39, 76, 93, 104,
D26/106, 120; D28/9; D14/307, 336,
D14/371, 375, 376; D6/308, 310
CPC A61N 5/062; A61N 5/0616; A61N 5/0617;
A61N 5/0618; A61N 2005/0629; A61N
2005/0636; A61N 2005/0638; A61N
2005/0644; A61N 2005/0645; A61N
2005/0647; A61N 2005/0652; A61N
2005/0654; A61N 2005/0657; A61N
2005/0695-0662; A61B 2018/00452;
A61B 2018/1807

See application file for complete search history.

(Continued)

Primary Examiner — Wan Laymon

Assistant Examiner — Clint A Samuel

(74) *Attorney, Agent, or Firm* — JCIP Global Inc.

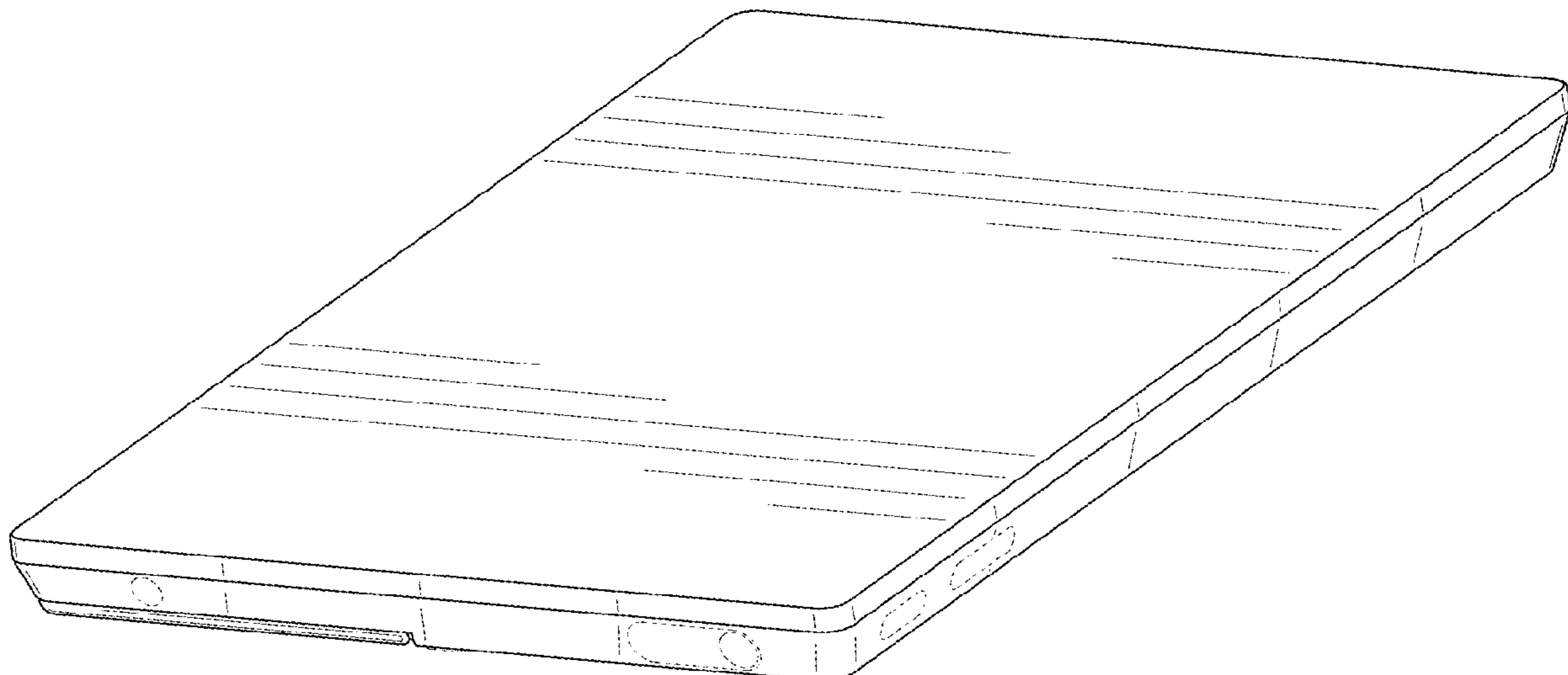
(57) **CLAIM**

The ornamental design for a light therapy lamp, as shown and described.

DESCRIPTION

FIG. 1 is a first perspective view of a light therapy lamp showing our new design;
FIG. 2 is a second perspective view thereof;
FIG. 3 is a third perspective view thereof;
FIG. 4 is a front elevation view thereof;
FIG. 5 is a rear elevation view thereof;
FIG. 6 is a left side elevation view thereof;
FIG. 7 is a right side elevation view thereof;
FIG. 8 is a bottom plan view thereof; and,
FIG. 9 is a top plan view thereof.
The broken lines shown in the drawings represent portions of the light therapy lamp that form no part of the claimed design.

1 Claim, 7 Drawing Sheets



(56)

References Cited

U.S. PATENT DOCUMENTS

D879,984 S *	3/2020	Hu	D24/209
D889,677 S *	7/2020	Harmon	D24/210
D893,039 S *	8/2020	Harmon	D24/209
D898,022 S *	10/2020	Hornung	D14/336
D898,735 S *	10/2020	Li	D14/336
D905,974 S *	12/2020	Chen	D6/308
D907,222 S *	1/2021	Xu	D24/200
D921,212 S *	6/2021	Bockenstedt	D24/209

* cited by examiner

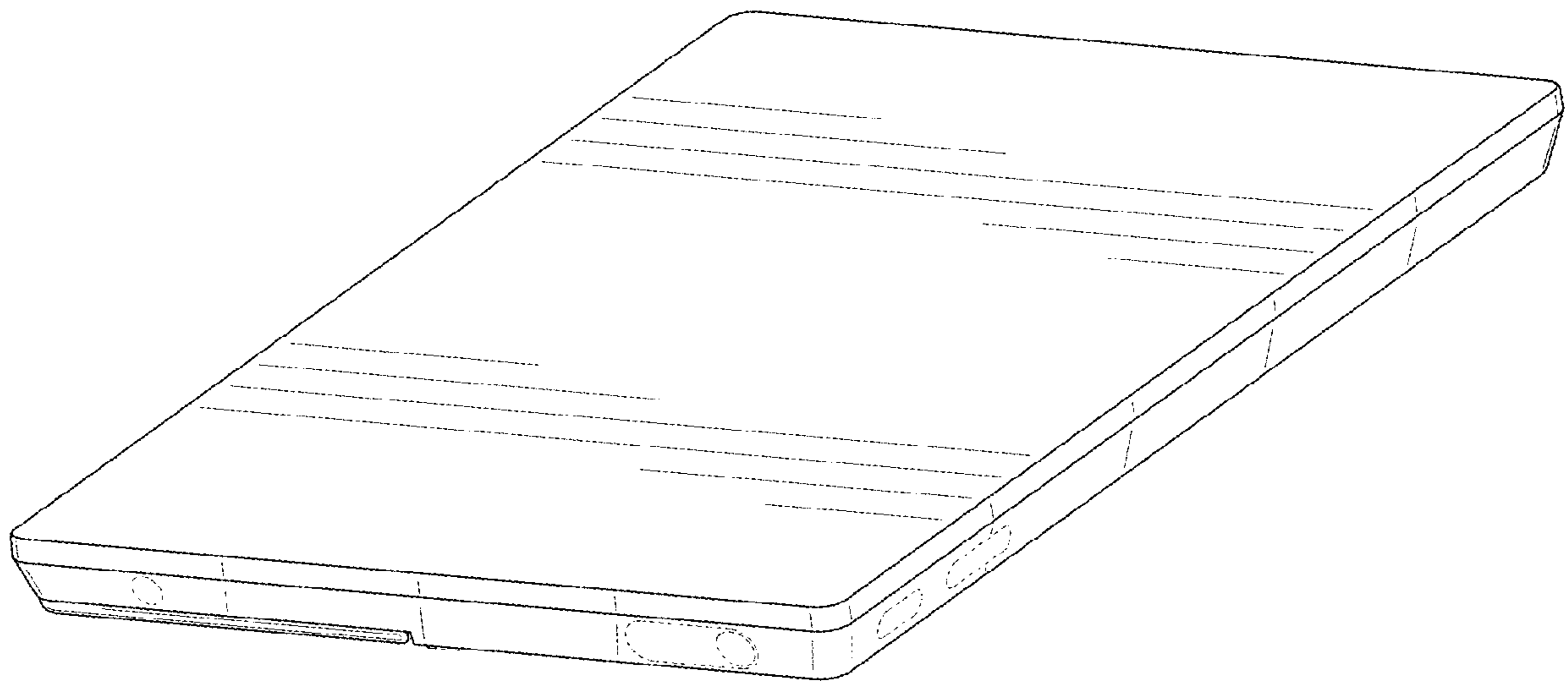


FIG. 1

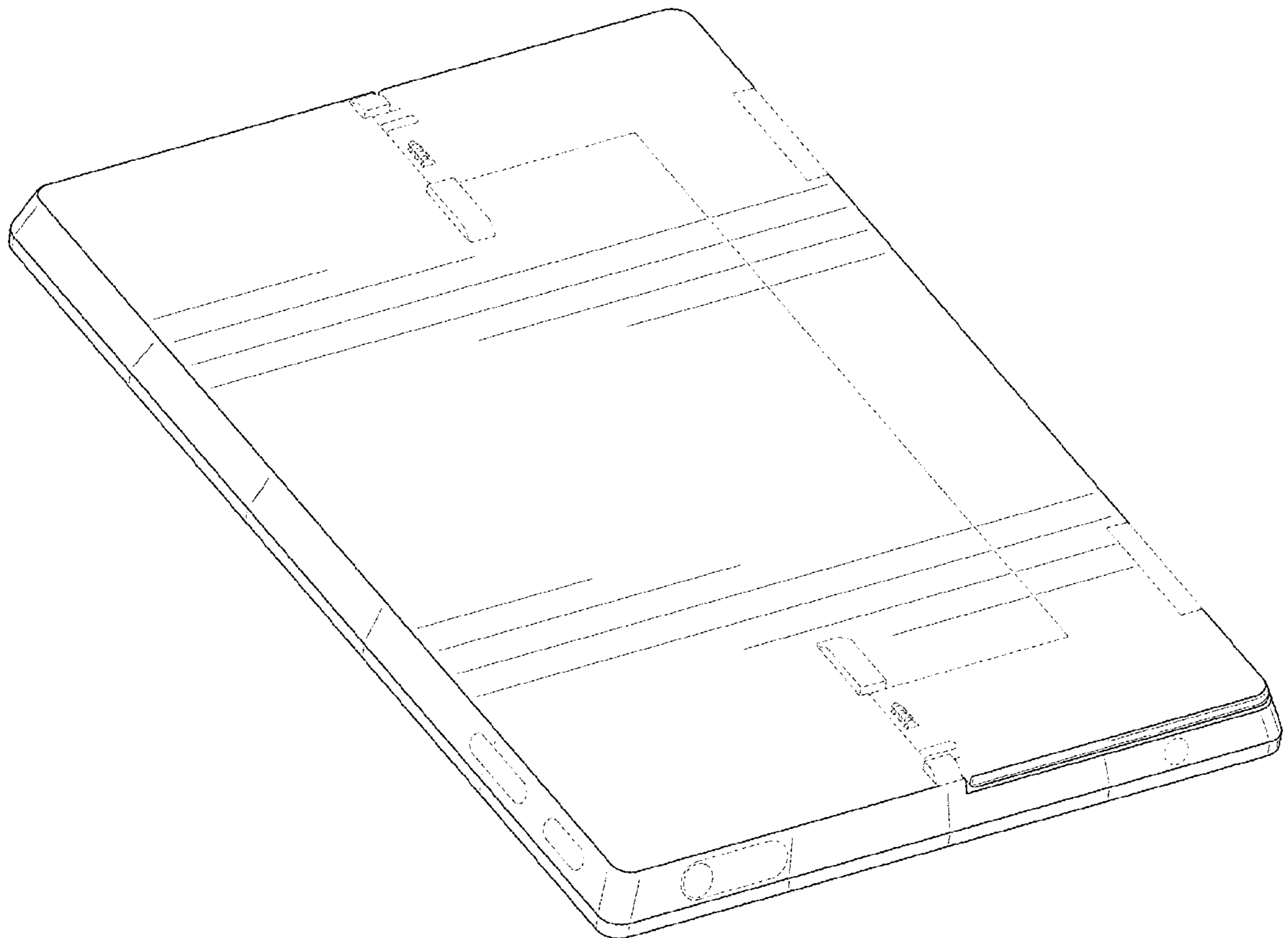


FIG. 2

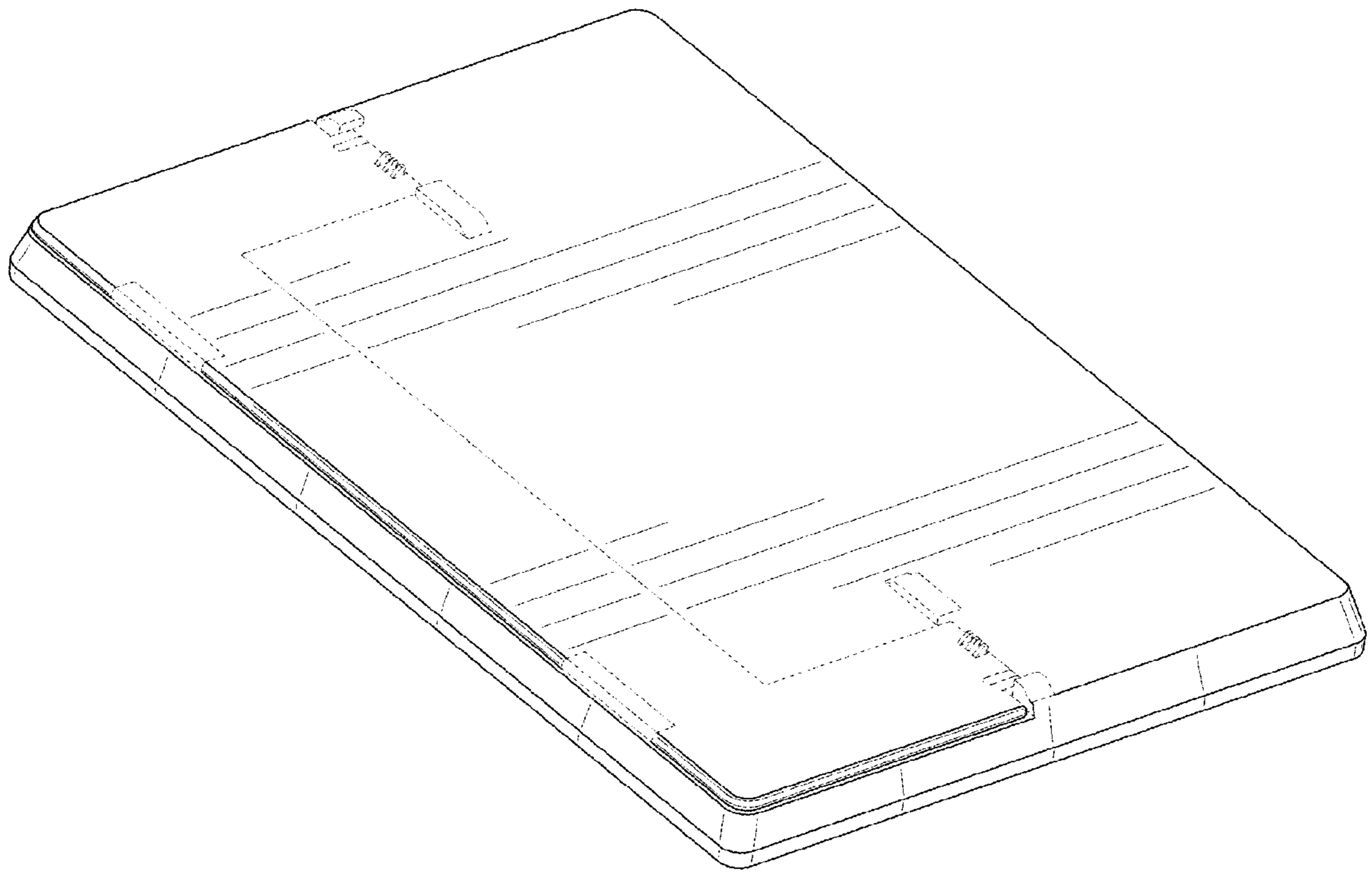


FIG. 3

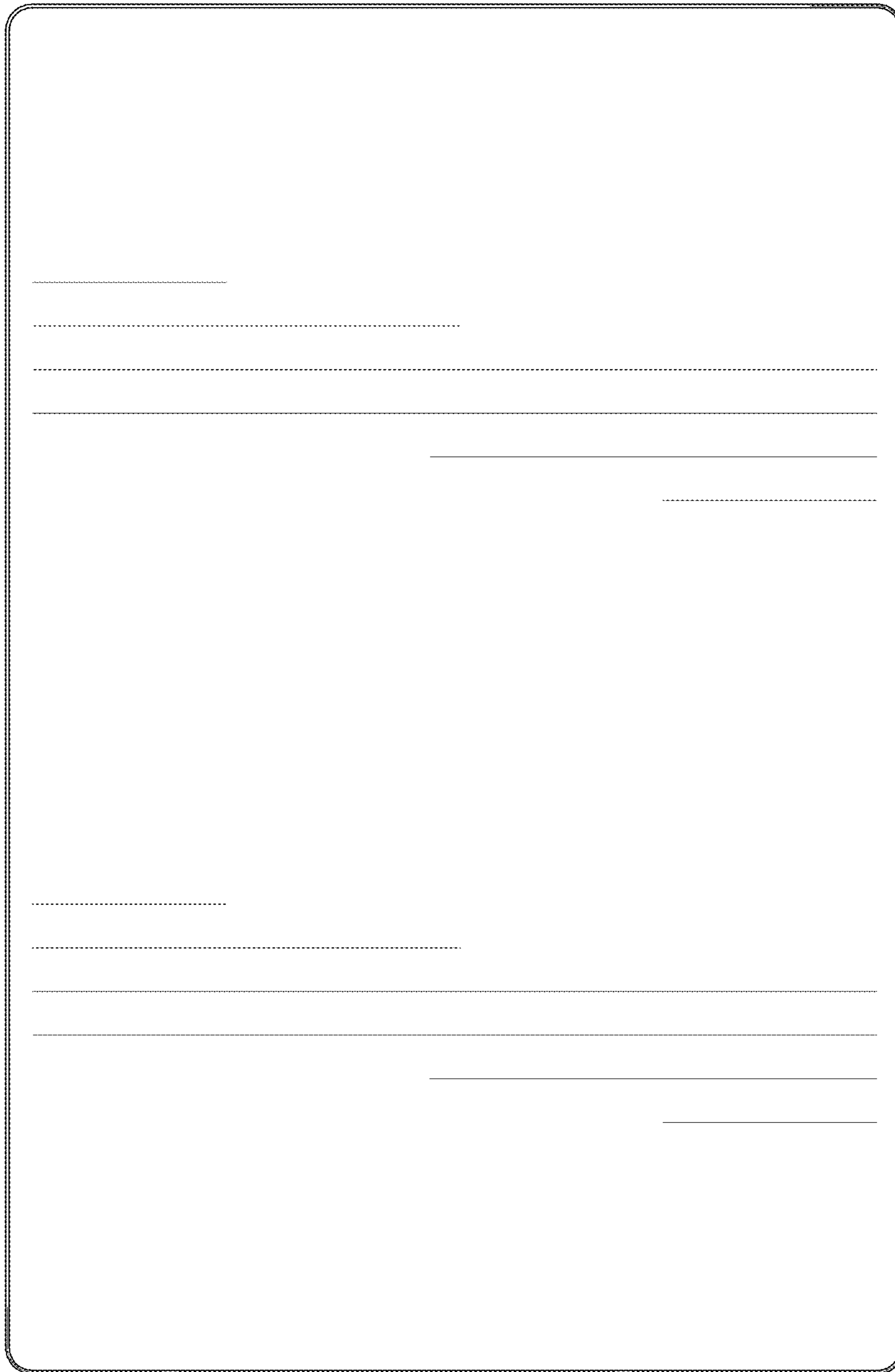


FIG. 4

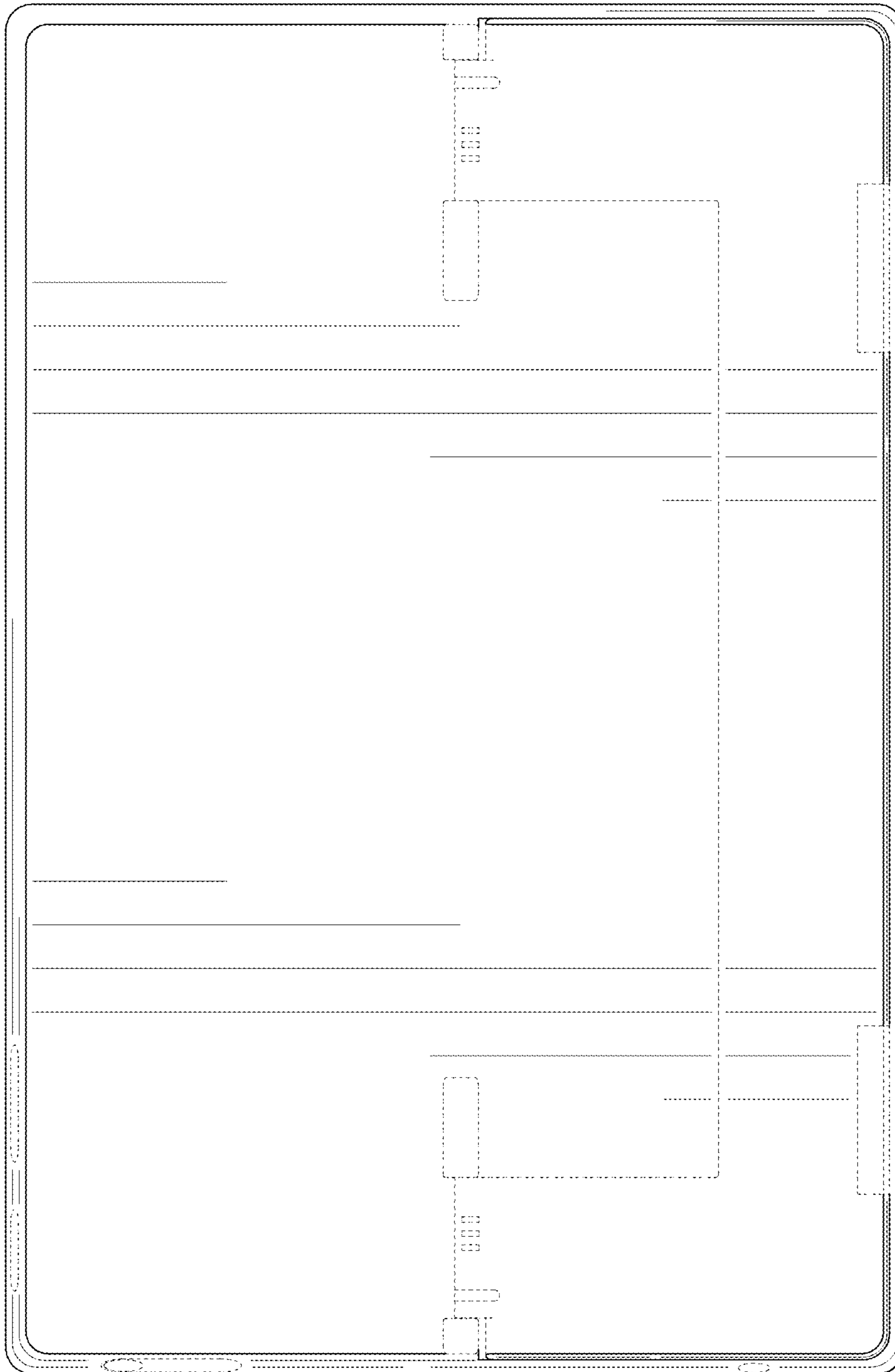


FIG. 5

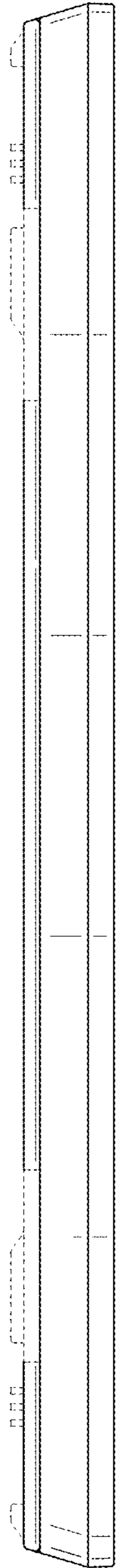


FIG. 6

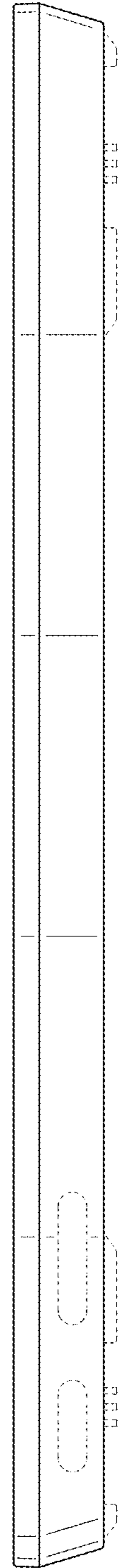


FIG. 7

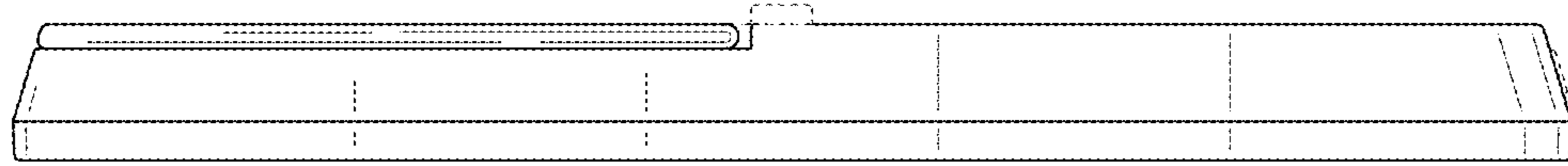


FIG. 8

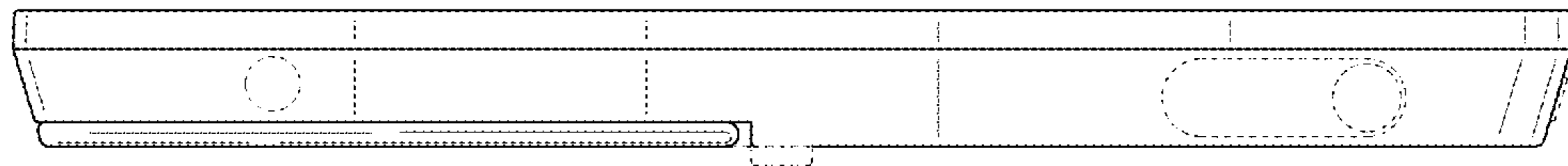


FIG. 9