

US00D928977S

(12) **United States Design Patent** (10) **Patent No.:** **US D928,977 S**
Dijkstra (45) **Date of Patent:** **** Aug. 24, 2021**

(54) **LED ACNE TREATMENT DEVICE**
(71) Applicant: **Light Tree Ventures Holding B.V.**,
Rijswijk (NL)
(72) Inventor: **Alain Dijkstra**, Amstelveen (NL)
(**) Term: **15 Years**
(21) Appl. No.: **29/723,321**

D660,448 S * 5/2012 Lum D24/209
D664,665 S * 7/2012 Wahng D24/214
D760,912 S * 7/2016 Sedic D24/209
D780,933 S * 3/2017 Uchida D24/200
D787,083 S 5/2017 Ely et al.
D901,031 S * 11/2020 Yoon D24/209
D902,382 S * 11/2020 Inoue D24/107
2010/0274329 A1 * 10/2010 Bradley A61N 1/328
607/90

(22) Filed: **Feb. 6, 2020**
(51) **LOC (13) Cl.** **28-03**
(52) **U.S. Cl.**
USPC **D24/209**
(58) **Field of Classification Search**
USPC D24/107, 200, 209, 210, 214, 215, 231,
D24/133, 137, 144, 158; D28/9, 44.1
CPC A61N 5/062; A61N 5/0614; A61N 5/0616;
A61N 5/0617; A61N 5/0618; A61N
5/0624; A61N 5/0627; A61N 5/0625;
A61N 2005/0643; A61N 2005/0644;
A61N 2005/0645; A61N 2005/0647;
A61N 2005/0651; A61N 2005/0652;
A61N 2005/0654; A61N 2005/0662;
A61B 2018/00452; A61B 2018/1807;
A61B 18/203; A61B 2018/202
See application file for complete search history.

(56) **References Cited**
U.S. PATENT DOCUMENTS
D569,987 S 5/2008 Oberreiter et al.
D585,997 S * 2/2009 Adam D24/210
D612,510 S 3/2010 Byle
D621,949 S * 8/2010 Seki D24/209
D652,919 S * 1/2012 Sherwood D24/133

OTHER PUBLICATIONS

Alibaba. PDT Led Photon Therapy Beauty Skincare Led Rejuve-
nation Led Handheld. Date available to public: unknown. Retrieved
from website on Apr. 5, 2021 at: [https://kymedical.en.alibaba.com/
product/1600212169754-815606722/PDT_Led_Photon_Therapy_
Beauty_Skincare_Led_Rejuvenation_Led_Handhe.*](https://kymedical.en.alibaba.com/product/1600212169754-815606722/PDT_Led_Photon_Therapy_Beauty_Skincare_Led_Rejuvenation_Led_Handhe.*)

* cited by examiner

Primary Examiner — Anhdao Doan
(74) *Attorney, Agent, or Firm* — Emanus, LLC; Willie
Jacques

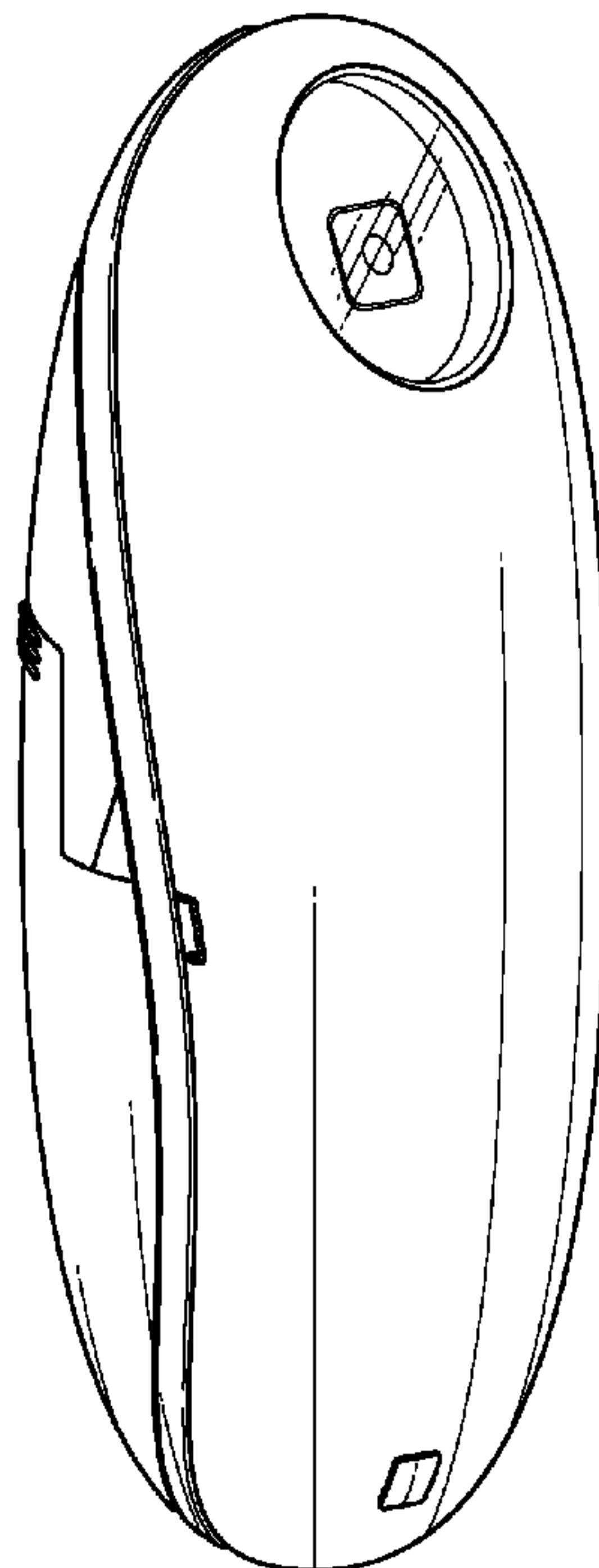
(57) **CLAIM**

The ornamental design for an LED acne treatment device, as
shown and described.

DESCRIPTION

FIG. 1 is an isometric view of an LED acne treatment device
according to my new design;
FIG. 2 is a front view thereof;
FIG. 3 is a rear view thereof;
FIG. 4 is a left side view thereof;
FIG. 5 is a right side view thereof;
FIG. 6 is a top view thereof; and,
FIG. 7 is a bottom view thereof.

1 Claim, 6 Drawing Sheets



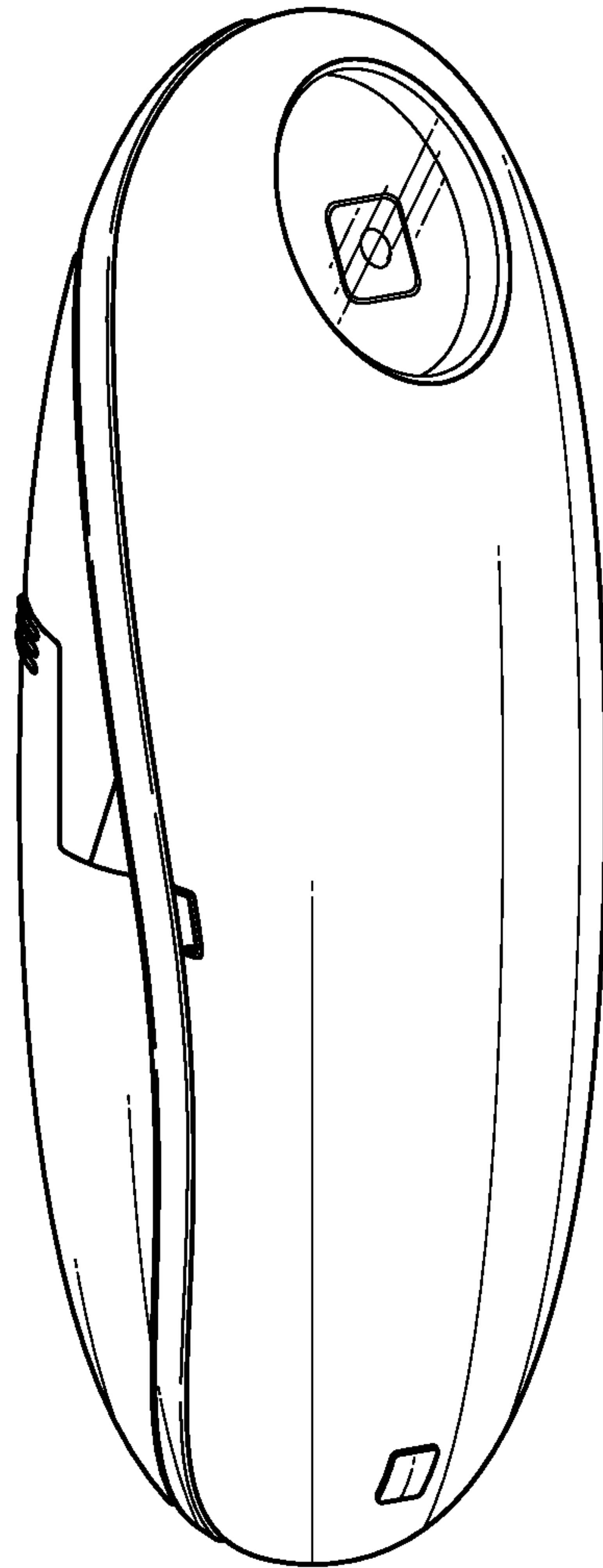


FIG. 1

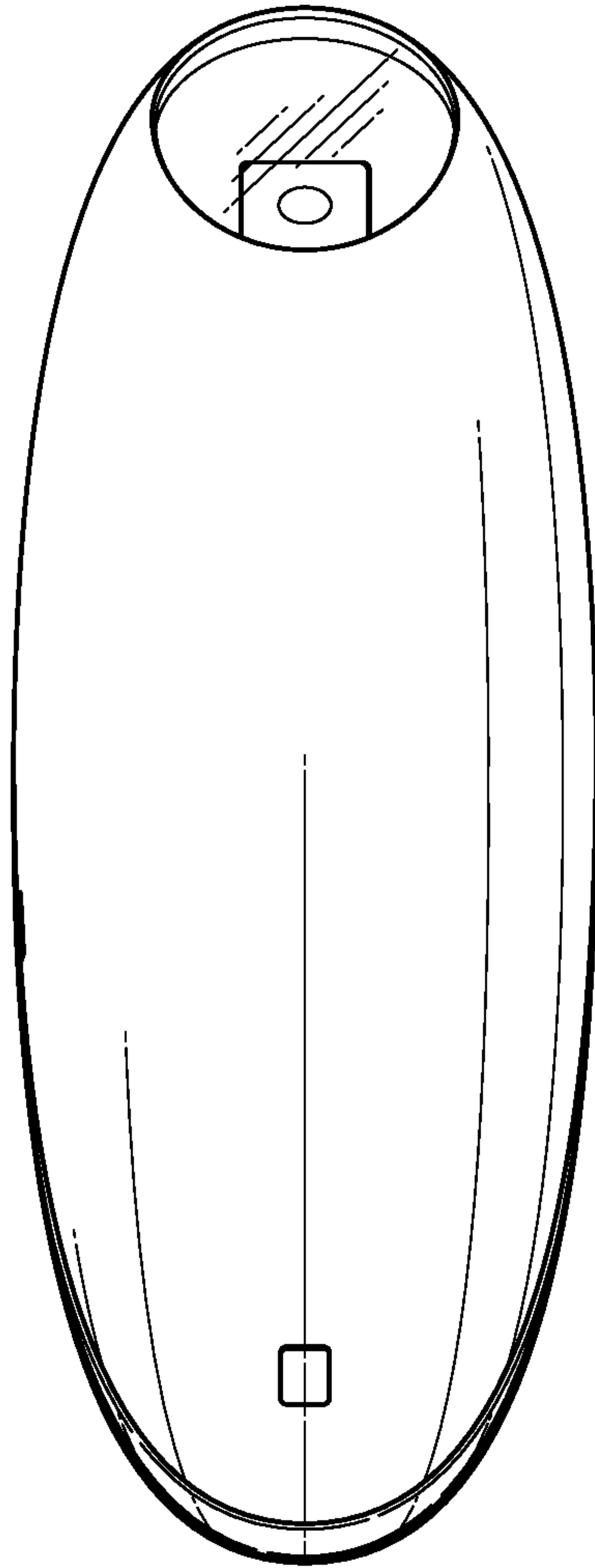


FIG. 2

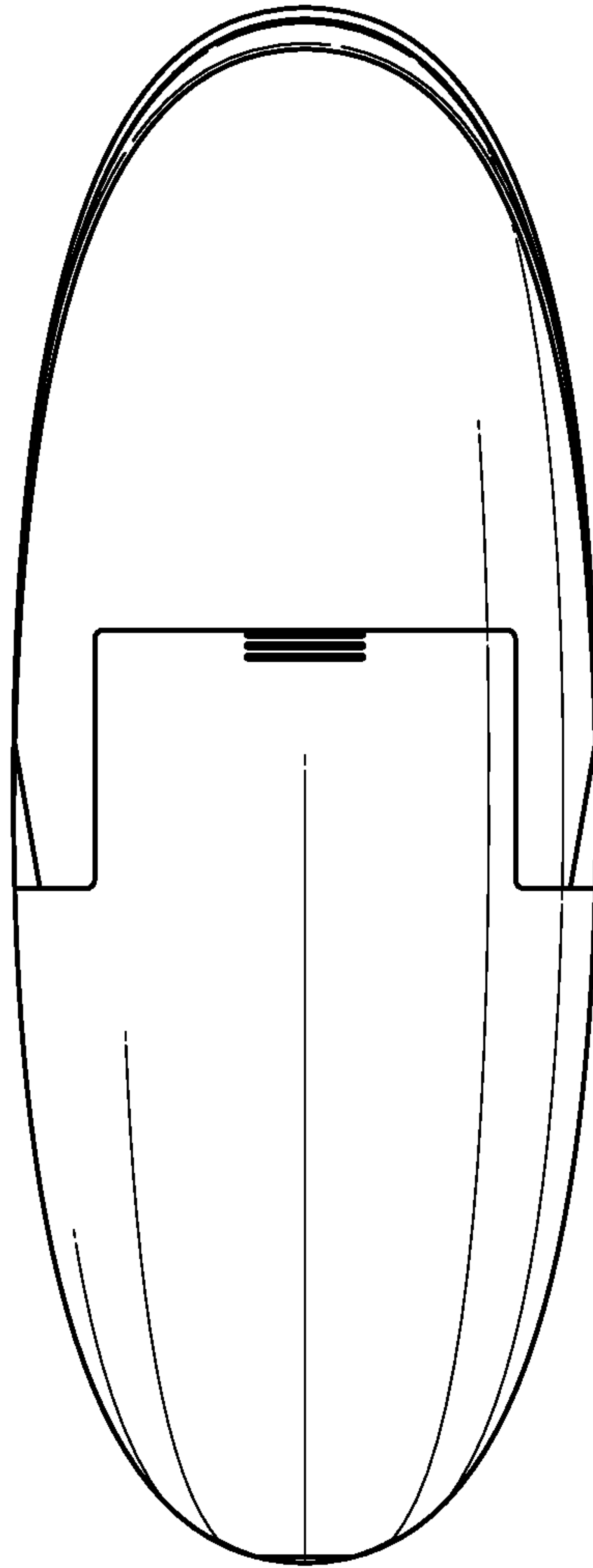


FIG. 3

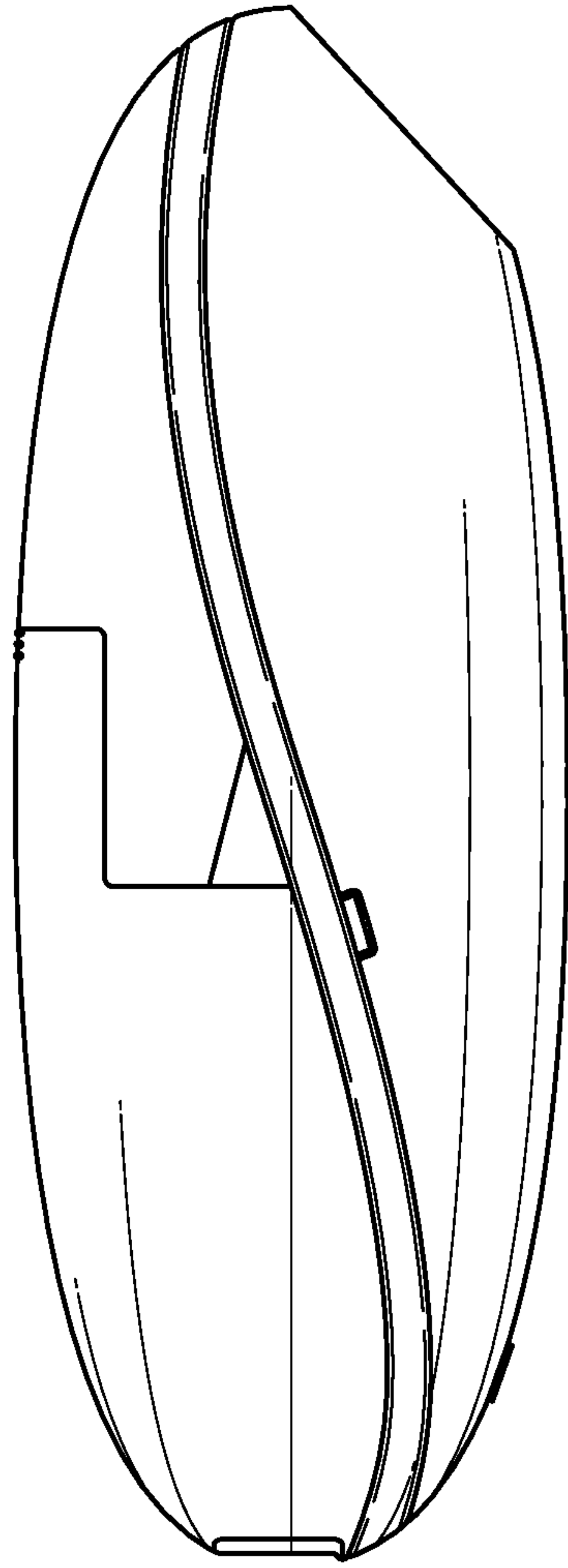


FIG. 4

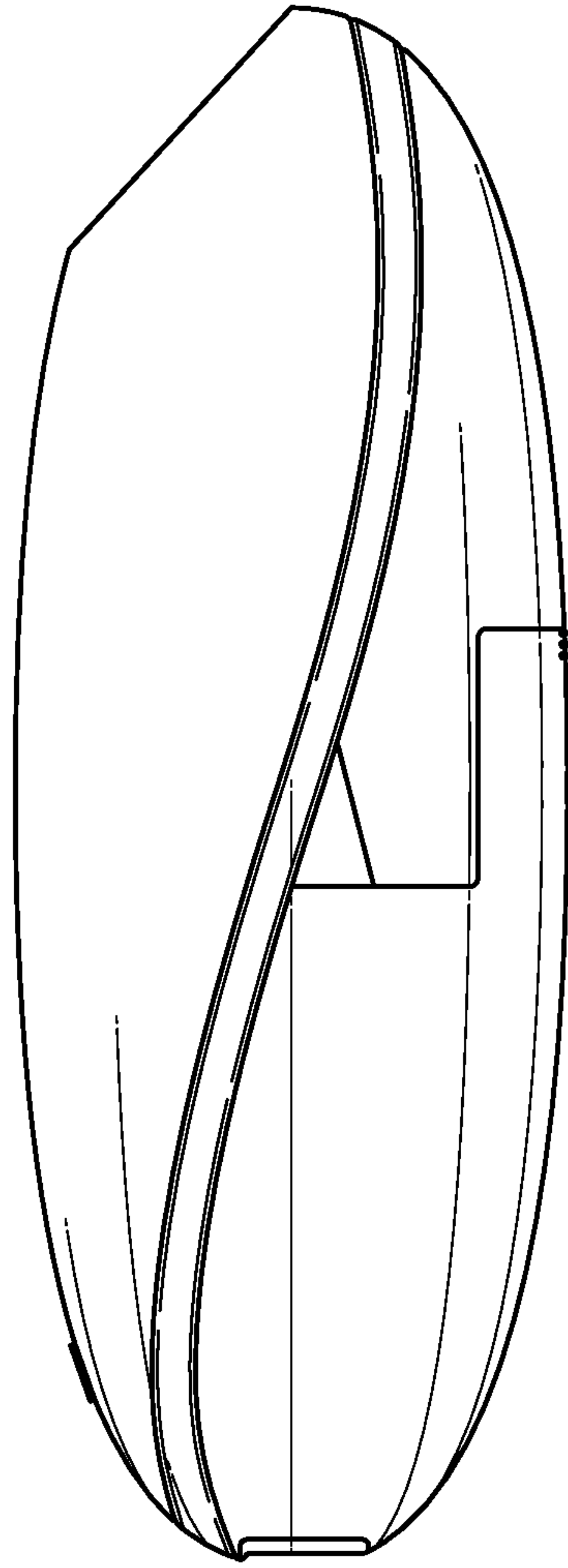


FIG. 5

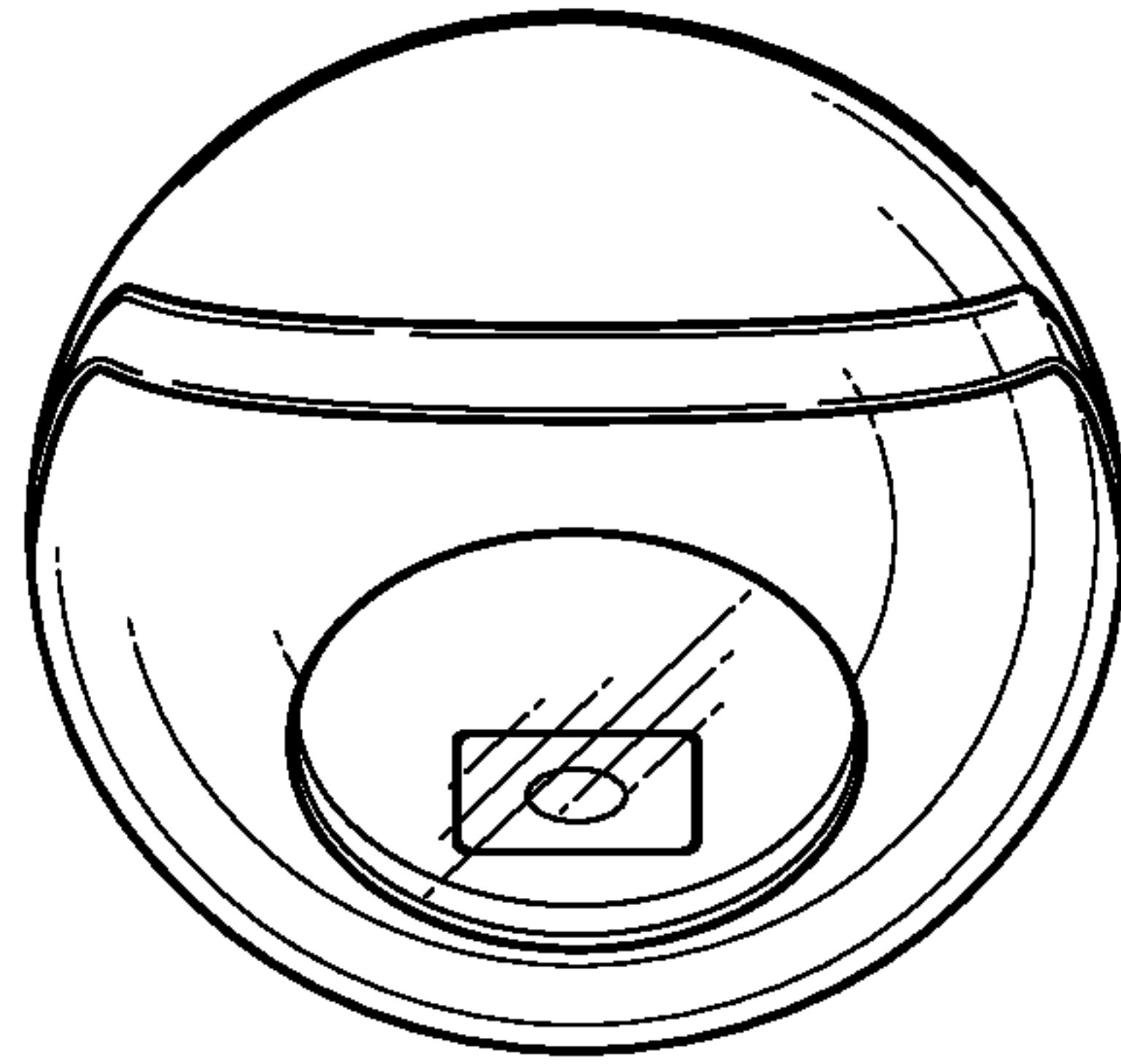


FIG. 6

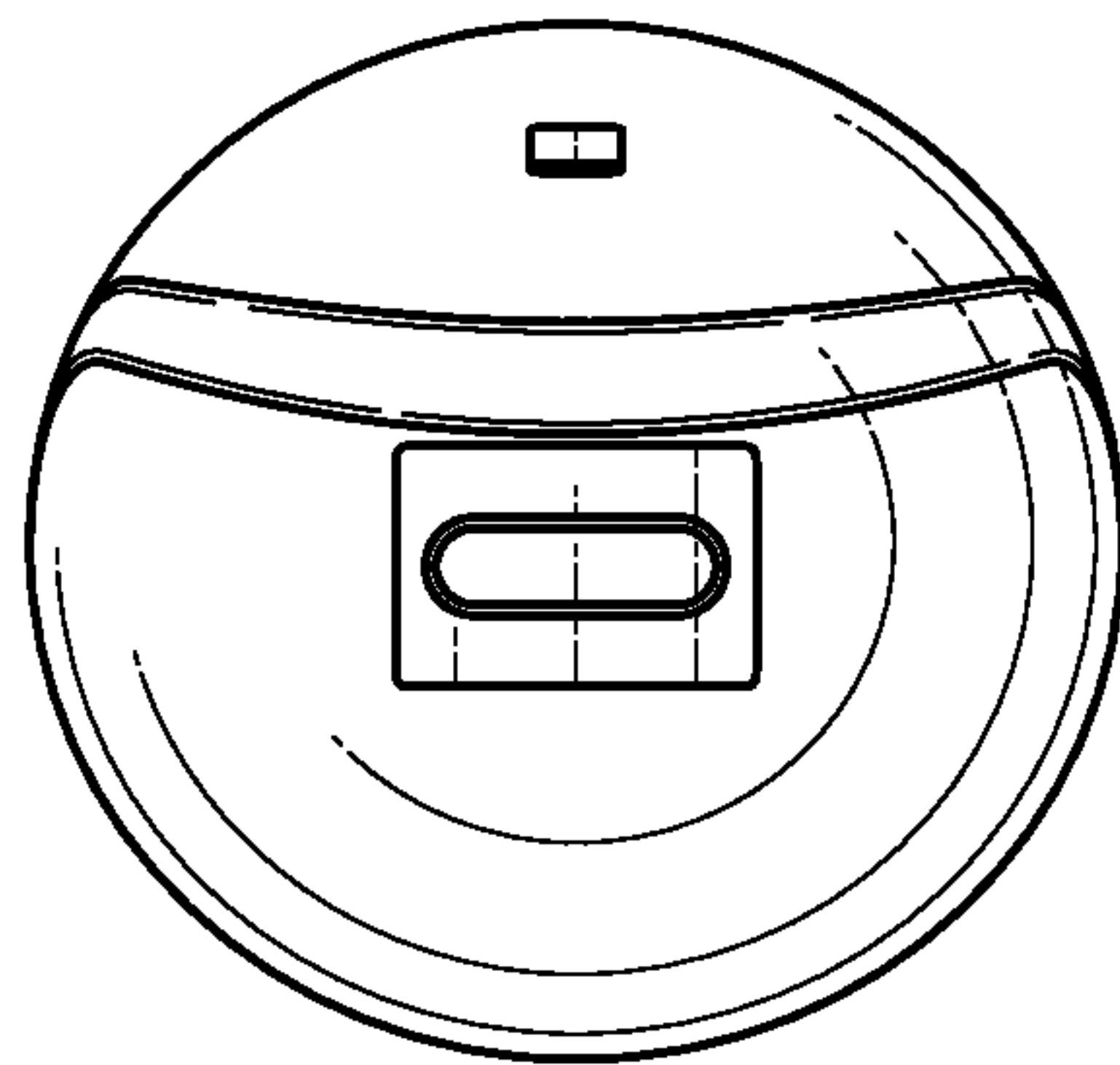


FIG. 7