



US00D928976S

(12) **United States Design Patent** (10) **Patent No.:** **US D928,976 S**
Dijkstra (45) **Date of Patent:** **** Aug. 24, 2021**

(54) **HANDHELD LIGHT THERAPY DEVICE**

(71) Applicant: **Light Tree Ventures Holding B.V.**,
Rijswijk (NL)

(72) Inventor: **Alain Dijkstra**, Amstelveen (NL)

(**) Term: **15 Years**

(21) Appl. No.: **29/722,856**

(22) Filed: **Feb. 3, 2020**

(51) **LOC (13) Cl.** **28-03**

(52) **U.S. Cl.**
USPC **D24/209**

(58) **Field of Classification Search**
USPC D24/107, 200, 209, 210, 214, 215, 231,
D24/133, 137, 144, 158; D28/9, 44.1
CPC A61N 5/062; A61N 5/0614; A61N 5/0616;
A61N 5/0617; A61N 5/0618; A61N
5/0624; A61N 5/0627; A61N 5/0625;
A61N 2005/0643; A61N 2005/0644;
A61N 2005/0645; A61N 2005/0647;
A61N 2005/0651; A61N 2005/0652;
A61N 2005/0654; A61N 2005/0662;
A61B 2018/00452; A61B 2018/1807;
A61B 18/203; A61B 2018/202

See application file for complete search history.

(56) **References Cited**

U.S. PATENT DOCUMENTS

D596,748 S	7/2009	Oberreiter et al.	
D652,523 S *	1/2012	Bradley	D24/209
D656,620 S	3/2012	Altshuler et al.	
D659,843 S *	5/2012	Wang	D24/200
D660,448 S	5/2012	Lum et al.	
D693,921 S *	11/2013	Burton	D24/112
D707,839 S	6/2014	Bradley et al.	
D819,221 S *	5/2018	Lei	D24/200

D863,574 S *	10/2019	Yan	D24/200
D884,202 S *	5/2020	Goodson	D24/209
D894,411 S *	8/2020	Jin	D24/200
D905,260 S *	12/2020	Shenfarber	D24/209
2008/0119913 A1 *	5/2008	Powell	A61N 5/0616 607/88
2008/0172045 A1 *	7/2008	Shanks	A61N 5/0616 606/3
2016/0158568 A1 *	6/2016	Uplaznik	A61N 5/0616 600/9

OTHER PUBLICATIONS

Alibaba. Handheld Acne Scar Removal LED Light Therapy Device. Date available to public: unknown. Retrieved from website on Apr. 6, 2021 at: [https://www.alibaba.com/product-detail/Handheld-Acne-Scar-Removal-LED-Light_1600194453673.html?spm=a2700.details.maylikeexp.10.7c6d7633i . . . *](https://www.alibaba.com/product-detail/Handheld-Acne-Scar-Removal-LED-Light_1600194453673.html?spm=a2700.details.maylikeexp.10.7c6d7633i...)

* cited by examiner

Primary Examiner — Anhdao Doan
(74) *Attorney, Agent, or Firm* — Emanus, LLC; Willie Jacques

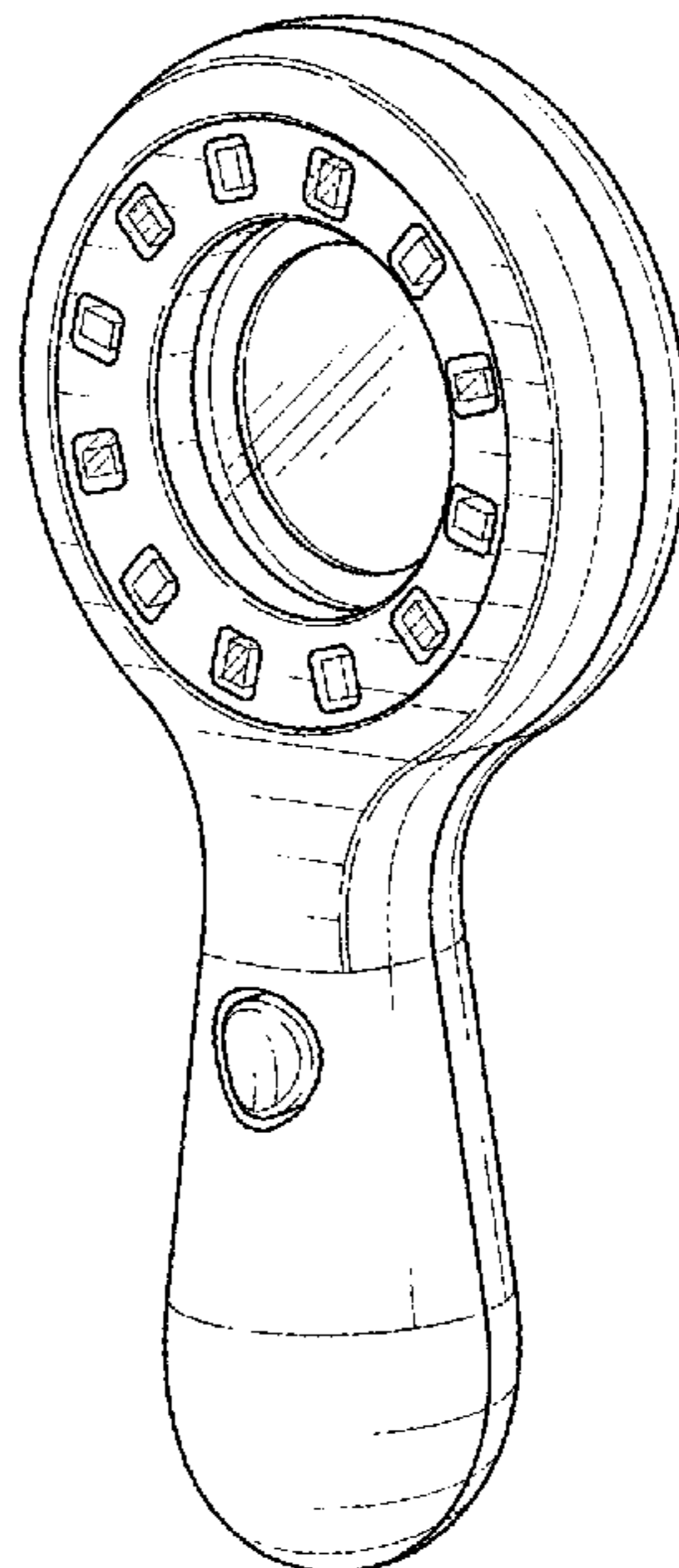
(57) **CLAIM**

The ornamental design for a handheld light therapy device, as shown and described.

DESCRIPTION

FIG. 1 is an isometric view of a handheld light therapy device according to my new design;
FIG. 2 is a front view thereof;
FIG. 3 is a rear view thereof;
FIG. 4 is a right side view thereof;
FIG. 5 is a left side view thereof;
FIG. 6 is a top view thereof; and,
FIG. 7 is a bottom view thereof.

1 Claim, 6 Drawing Sheets



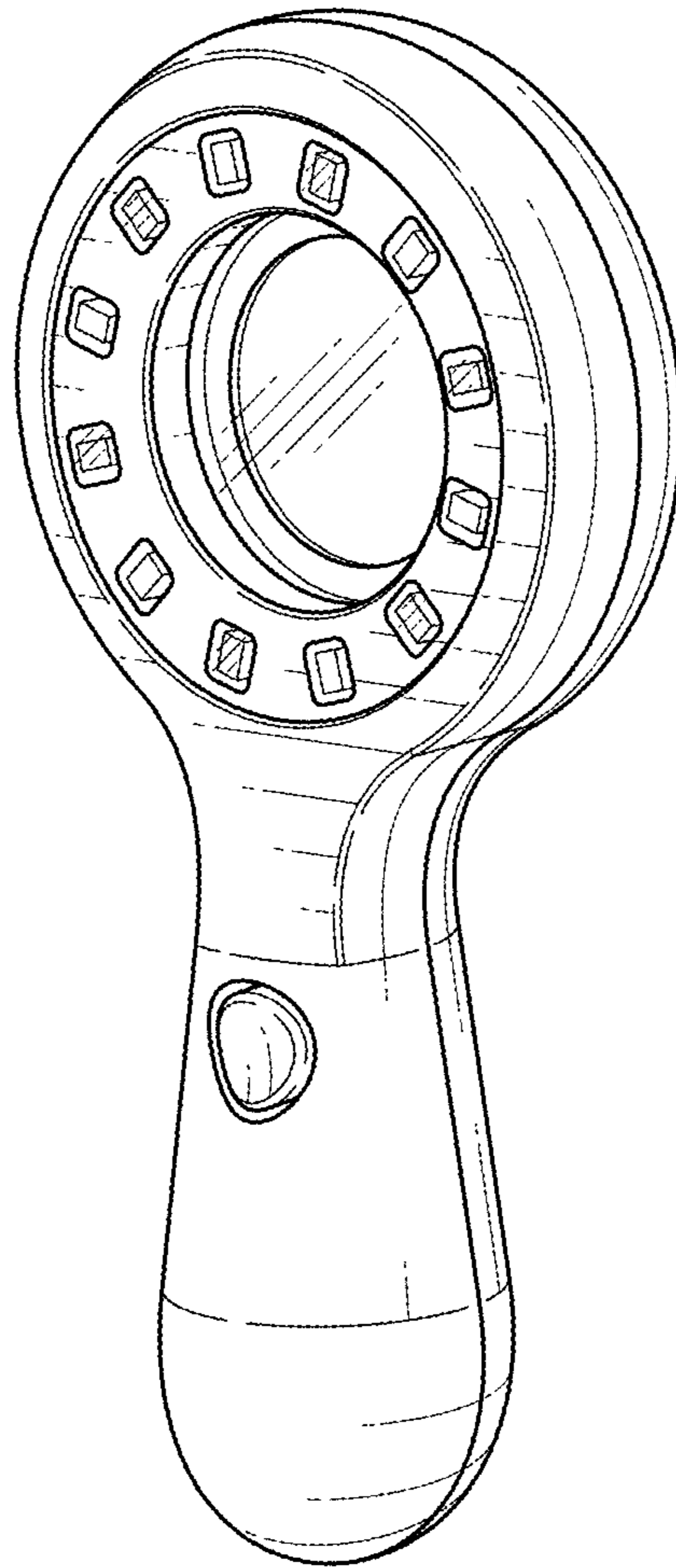


FIG. 1

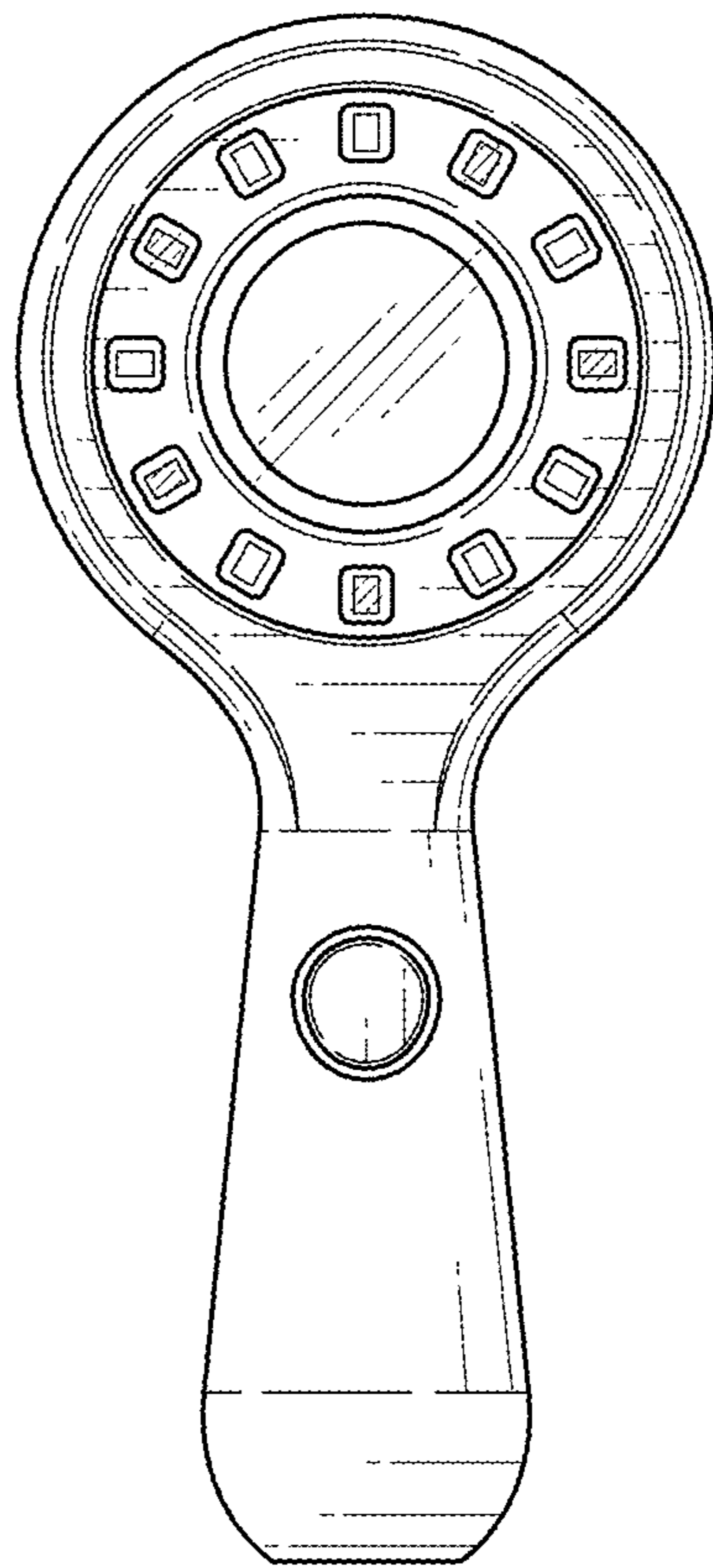


FIG. 2

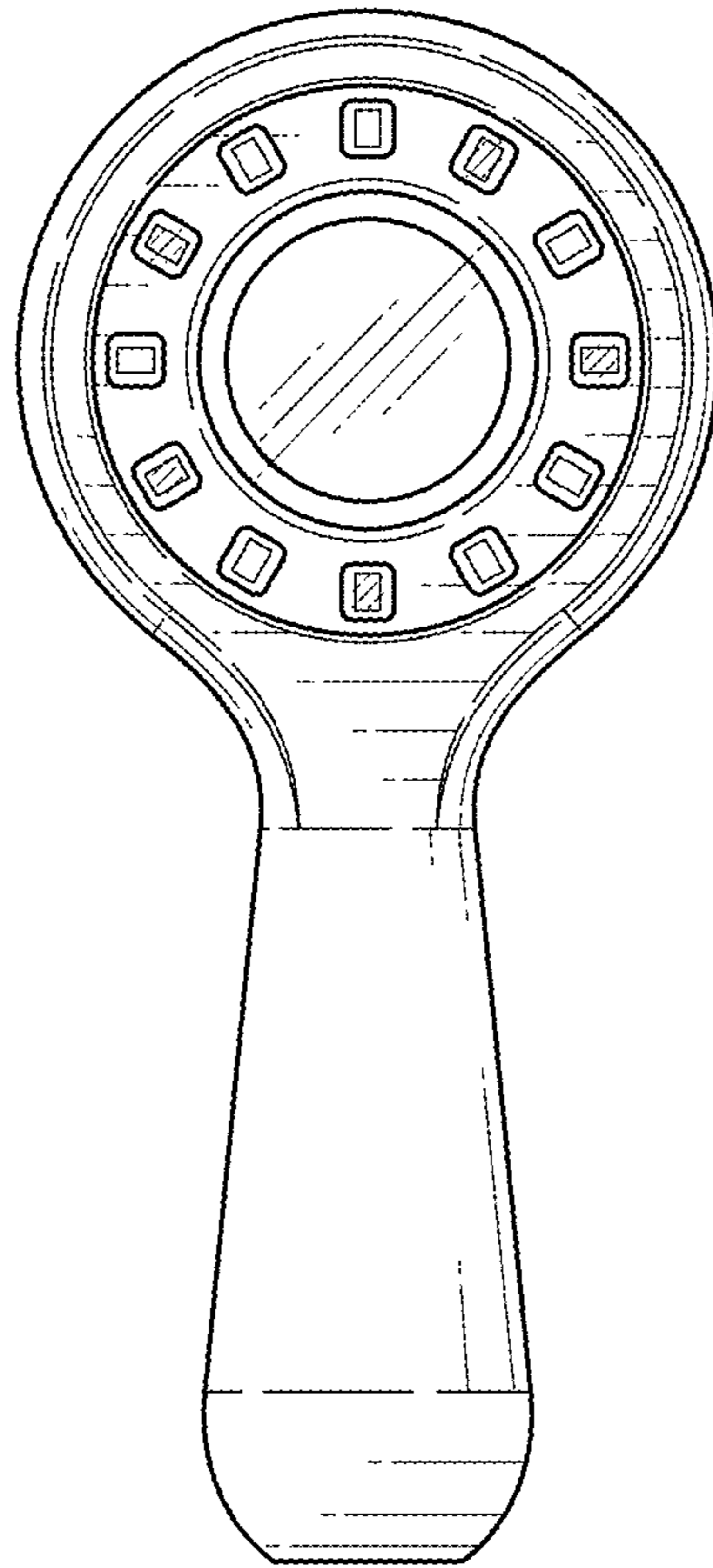


FIG. 3

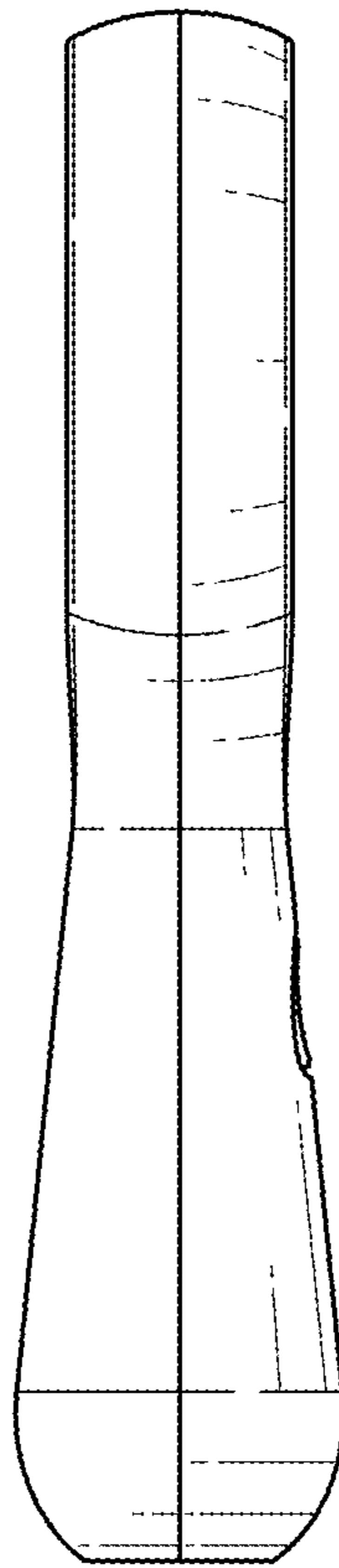


FIG. 4

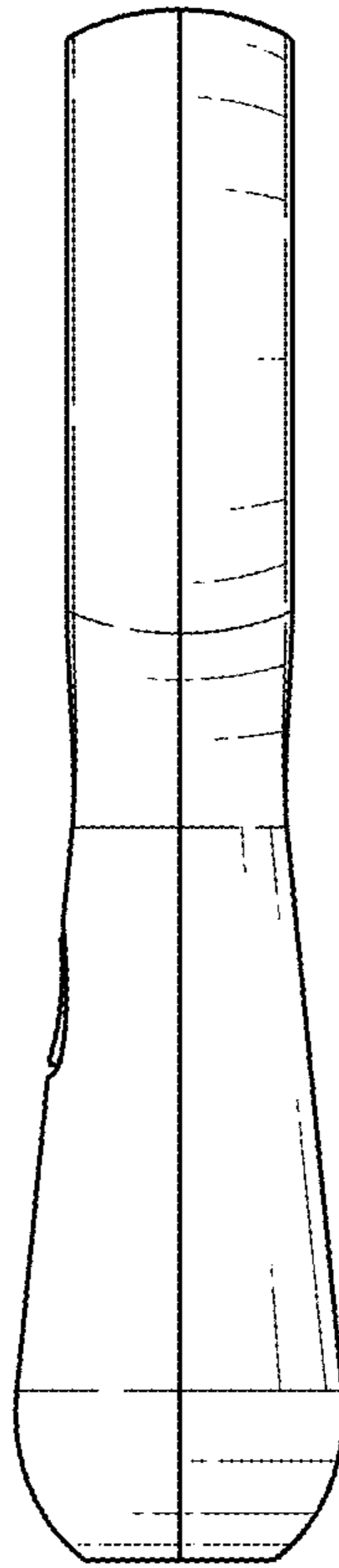


FIG. 5

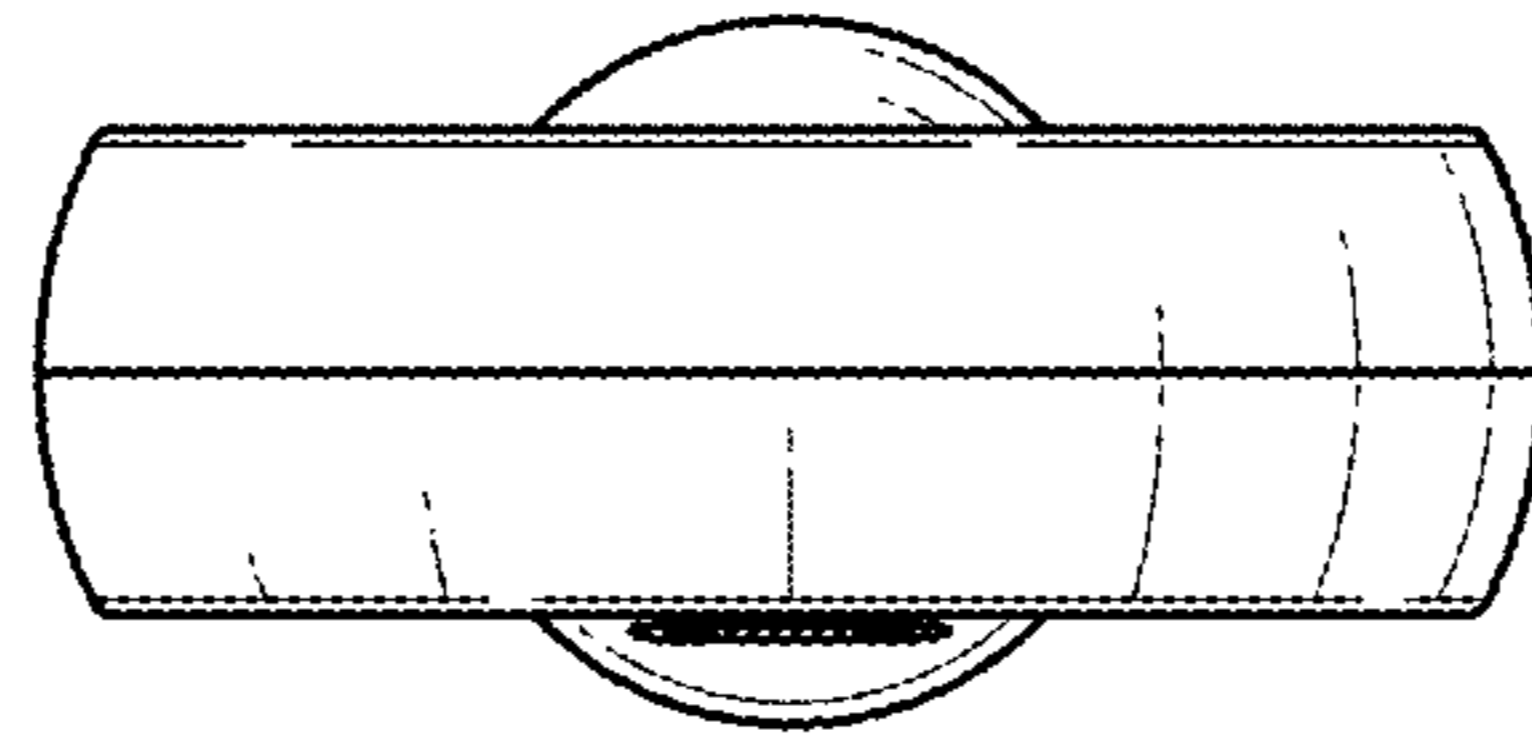


FIG. 6

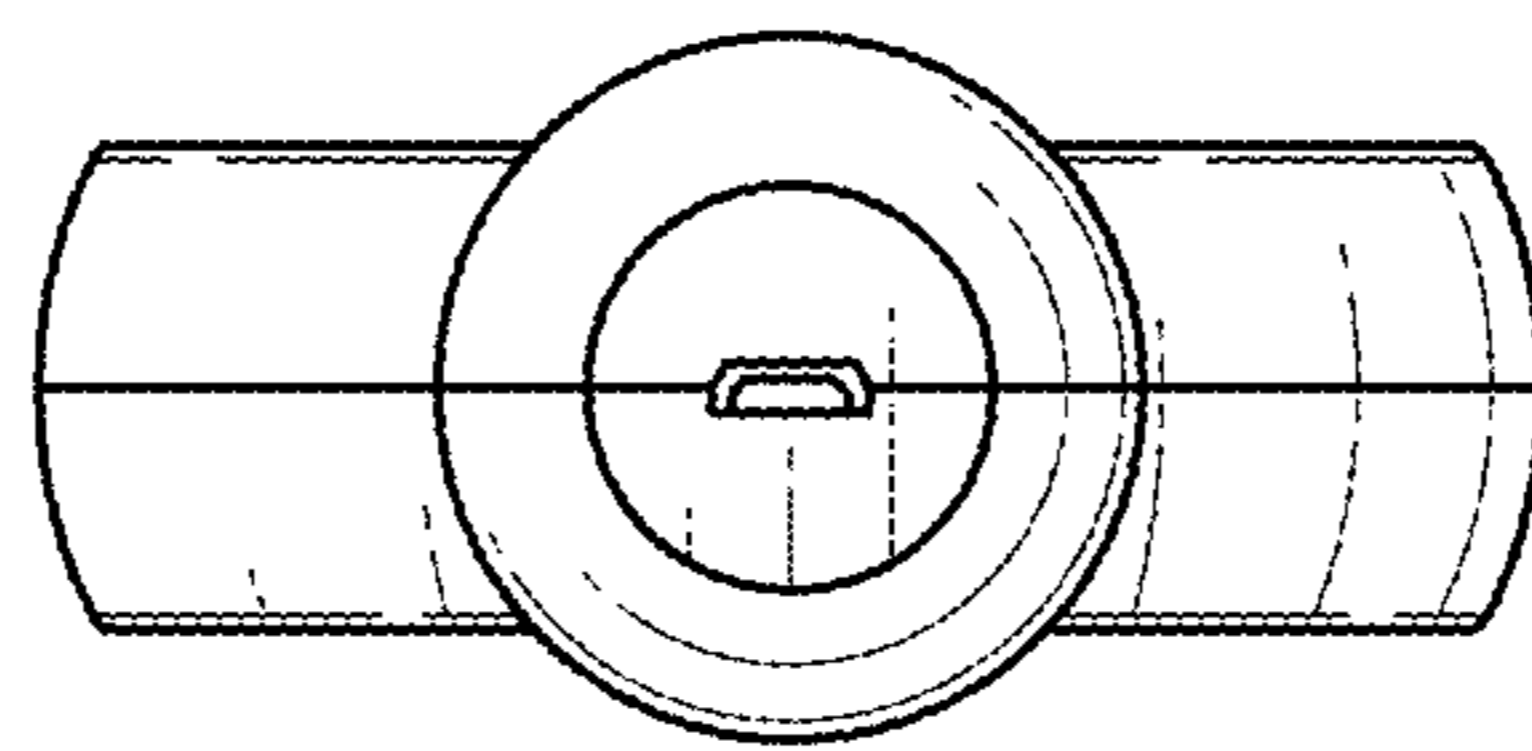


FIG. 7