



US00D928975S

(12) **United States Design Patent** (10) **Patent No.:** **US D928,975 S**
Bockenstedt et al. (45) **Date of Patent:** **** *Aug. 24, 2021**

(54) **LIGHT THERAPY DEVICE**

(71) Applicant: **Bausch Health Ireland Limited**,
Dublin (IE)
(72) Inventors: **Craig Bockenstedt**, Bothell, WA (US);
Richard Malwitz, Bothell, WA (US);
Adam Weisgerber, Shoreline, WA
(US); **Jeffrey Ladwig**, Seattle, WA
(US); **Aaron Piazza**, Lake Forest Park,
WA (US); **Michael Carl Beckman**,
Seattle, WA (US)

(73) Assignee: **BAUSCH HEALTH IRELAND LIMITED**, Dublin (IE)

(*) Notice: This patent is subject to a terminal disclaimer.

(**) Term: **15 Years**

(21) Appl. No.: **29/720,109**

(22) Filed: **Jan. 9, 2020**

(51) **LOC (13) Cl.** **28-03**

(52) **U.S. Cl.**
USPC **D24/209**

(58) **Field of Classification Search**
USPC D24/107, 200, 209, 210, 214, 215, 185,
D24/186, 231; D26/37-39, 76, 104, 106,
D26/120; D28/9; D14/307, 336, 371,
D14/375, 376
CPC A61N 5/062; A61N 5/0614; A61N 5/0616;
A61N 5/0617; A61N 5/0618; A61N
5/0624; A61N 5/0627; A61N 5/0625;
A61N 2005/0643; A61N 2005/0644;
A61N 2005/0645; A61N 2005/0647;
A61N 2005/0651; A61N 2005/0652;
A61N 2005/0654; A61N 2005/0662;
A61N 2018/00452; A61N 2018/1807

See application file for complete search history.

(56) **References Cited**

U.S. PATENT DOCUMENTS

D545,973 S * 7/2007 Powell D24/209
D599,485 S * 9/2009 Burrows D24/209
D611,160 S * 3/2010 Fernie D24/209
RE45,816 E * 12/2015 Andre D14/375
D757,955 S * 5/2016 Johnson D24/209
D809,141 S * 1/2018 Adams D24/158

(Continued)

OTHER PUBLICATIONS

Bockenstedt et al., Design U.S. Appl. No. 29/720,106, "Light Therapy Device," filed Jan. 9, 2020.

(Continued)

Primary Examiner — Anhdao Doan

(74) *Attorney, Agent, or Firm* — Finnegan, Henderson, Farabow, Garrett & Dunner, LLP

(57) **CLAIM**

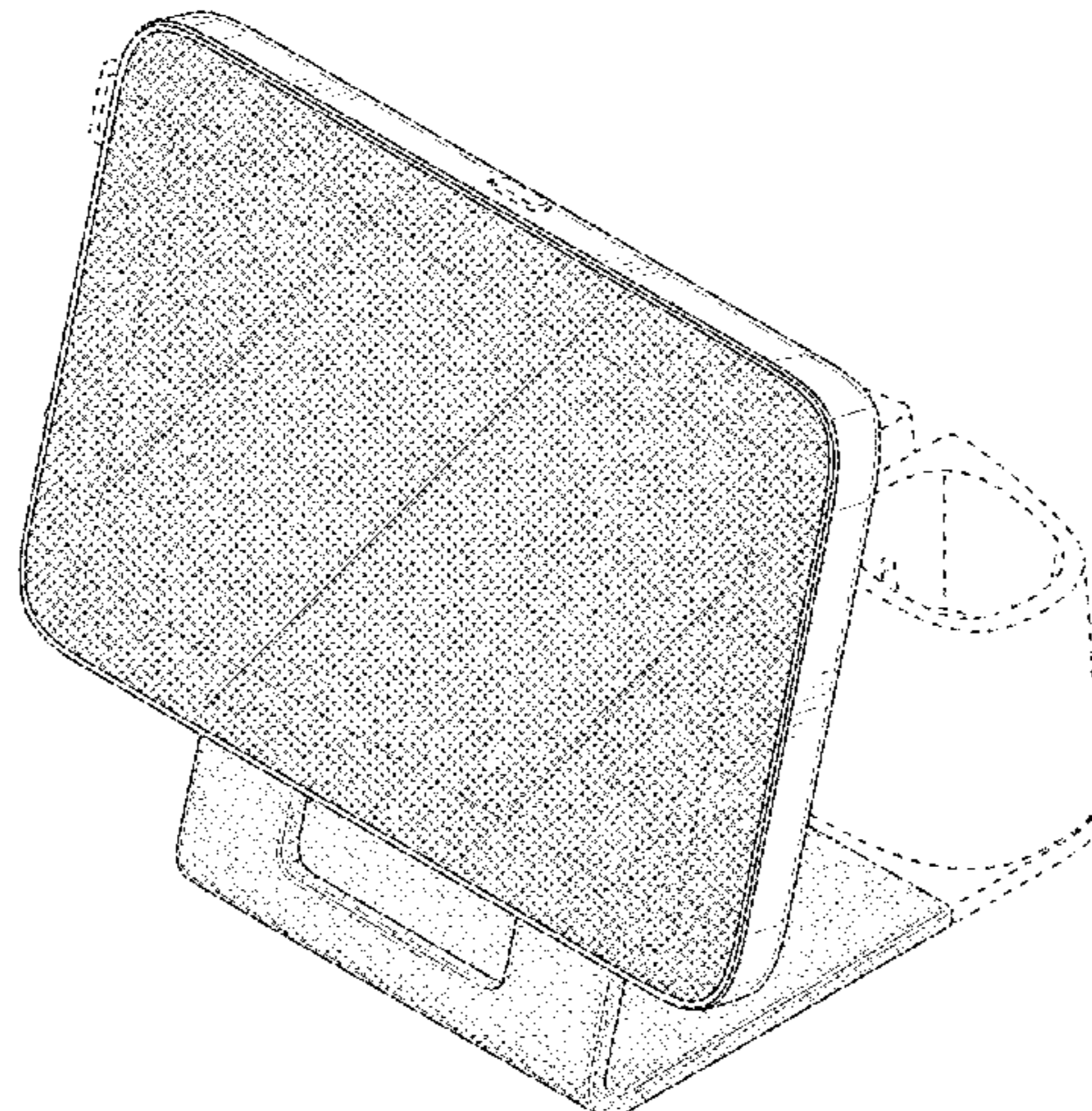
The ornamental design for a light therapy device, as shown and described.

DESCRIPTION

FIG. 1 is a front perspective view of a light therapy device showing the new design;
FIG. 2 is a bottom perspective view thereof;
FIG. 3 is a front elevation view thereof;
FIG. 4 is a rear elevation view thereof;
FIG. 5 is a left side view thereof;
FIG. 6 is a right side view thereof;
FIG. 7 is a top plan view thereof; and,
FIG. 8 is a bottom plan view thereof.

The even-length broken lines shown in the drawings illustrate portions of the light therapy device that form no part of the claimed design. The broken lines of uneven length illustrate the boundary of the claimed design and form no

(Continued)



part thereof. Contrast in materials is shown by line shading, stipple shading, and reflective shading in other areas.

1 Claim, 8 Drawing Sheets

(56) **References Cited**

U.S. PATENT DOCUMENTS

D816,222 S *	4/2018	Barak	D24/158
D835,291 S *	12/2018	Lei	D24/209
D857,220 S *	8/2019	Chew	D24/210
D861,167 S *	9/2019	Emery	D24/158
2004/0249423 A1 *	12/2004	Savage	A61N 5/0618 607/88

OTHER PUBLICATIONS

Bockenstedt et al., Design U.S. Appl. No. 29/720,107, "Light Therapy Device," filed Jan. 9, 2020.

Office Action—Japanese Design Application No. 2020-14062, dated Dec. 9, 2020, (4 pages).

Office Action—Japanese Design Application No. 2020-014064, dated Dec. 9, 2020, (5 pages).

Office Action of the Intellectual Property Office for ROC (Taiwan) Patent Application No. 109303744, dated Dec. 10, 2020, (4 pages).

Office Action of the Intellectual Property Office for ROC (Taiwan) Patent Application No. 109303745, dated Dec. 10, 2020, (4 pages).

Office Action of the Intellectual Property Office for ROC (Taiwan) Patent Application No. 109303746, dated Dec. 10, 2020, (4 pages).

* cited by examiner

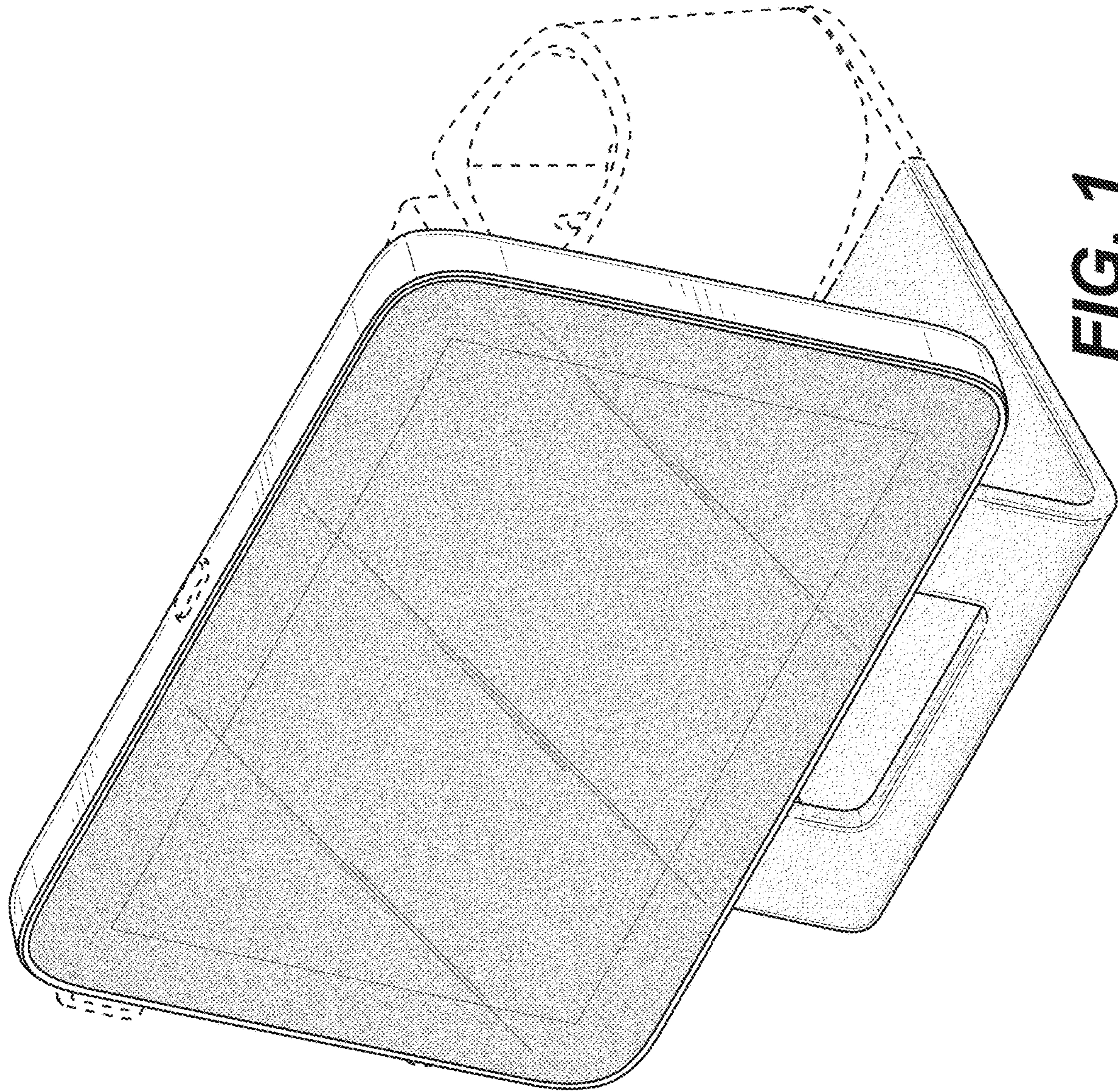


FIG. 1

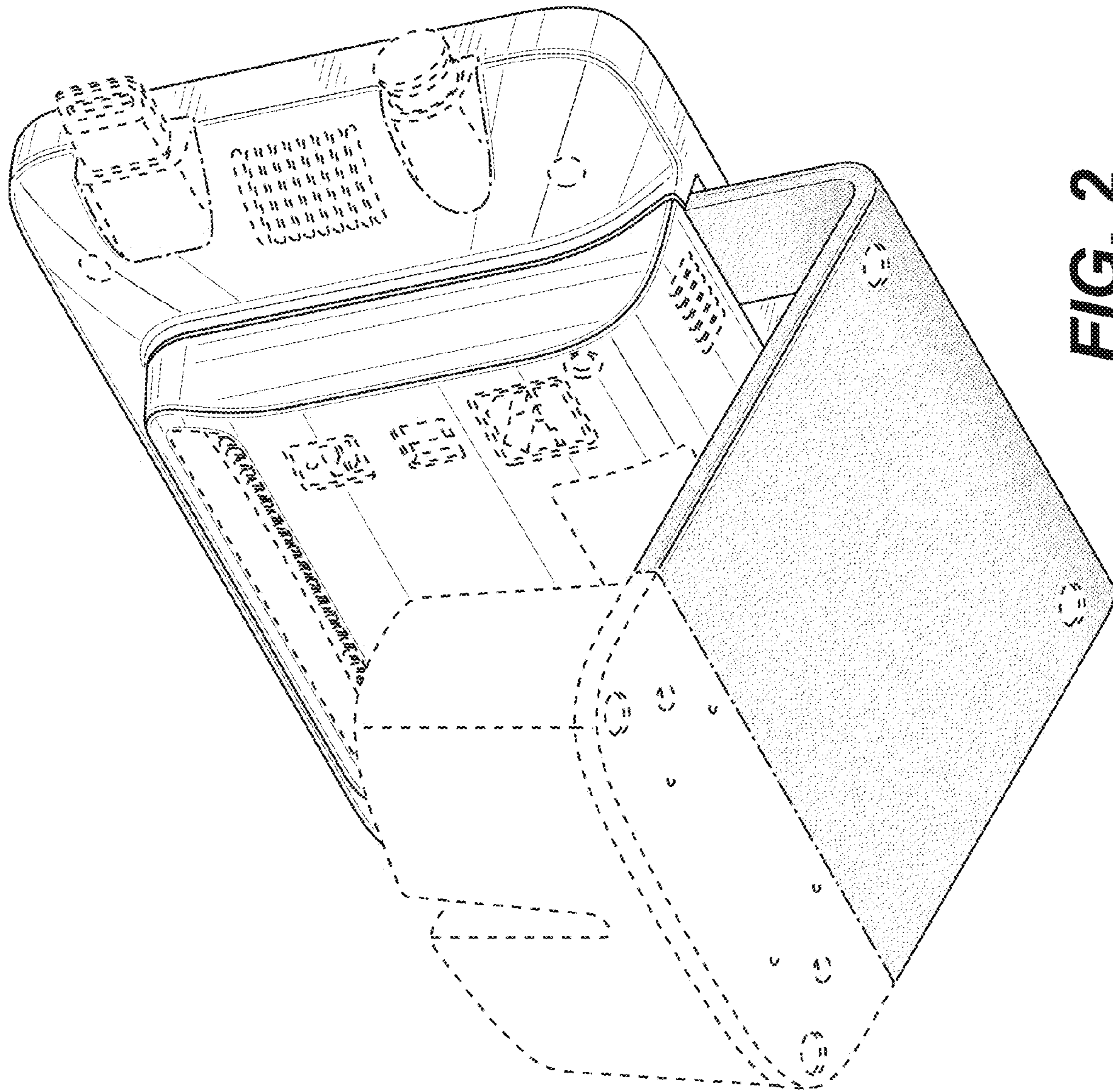


FIG. 2

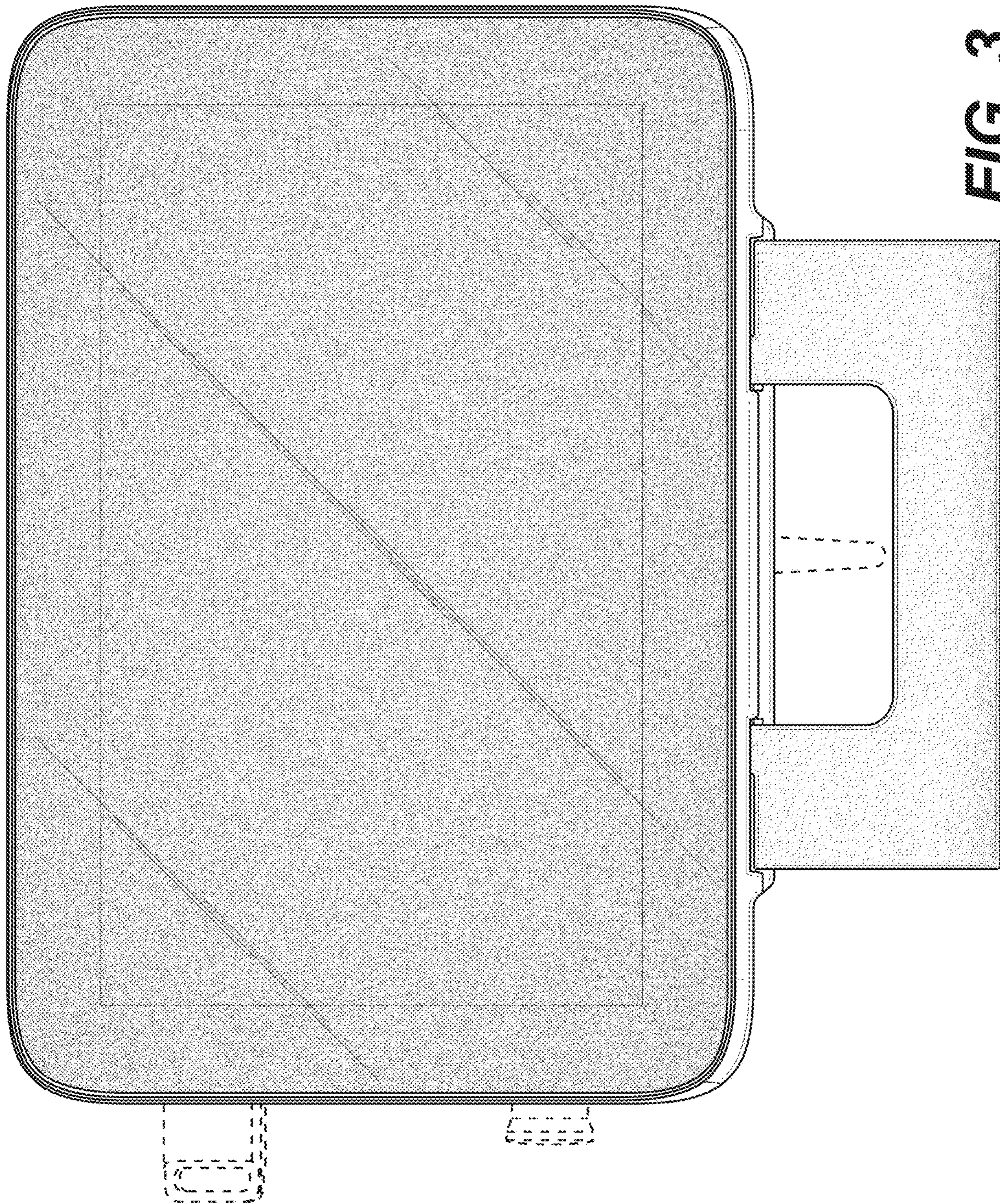


FIG. 3

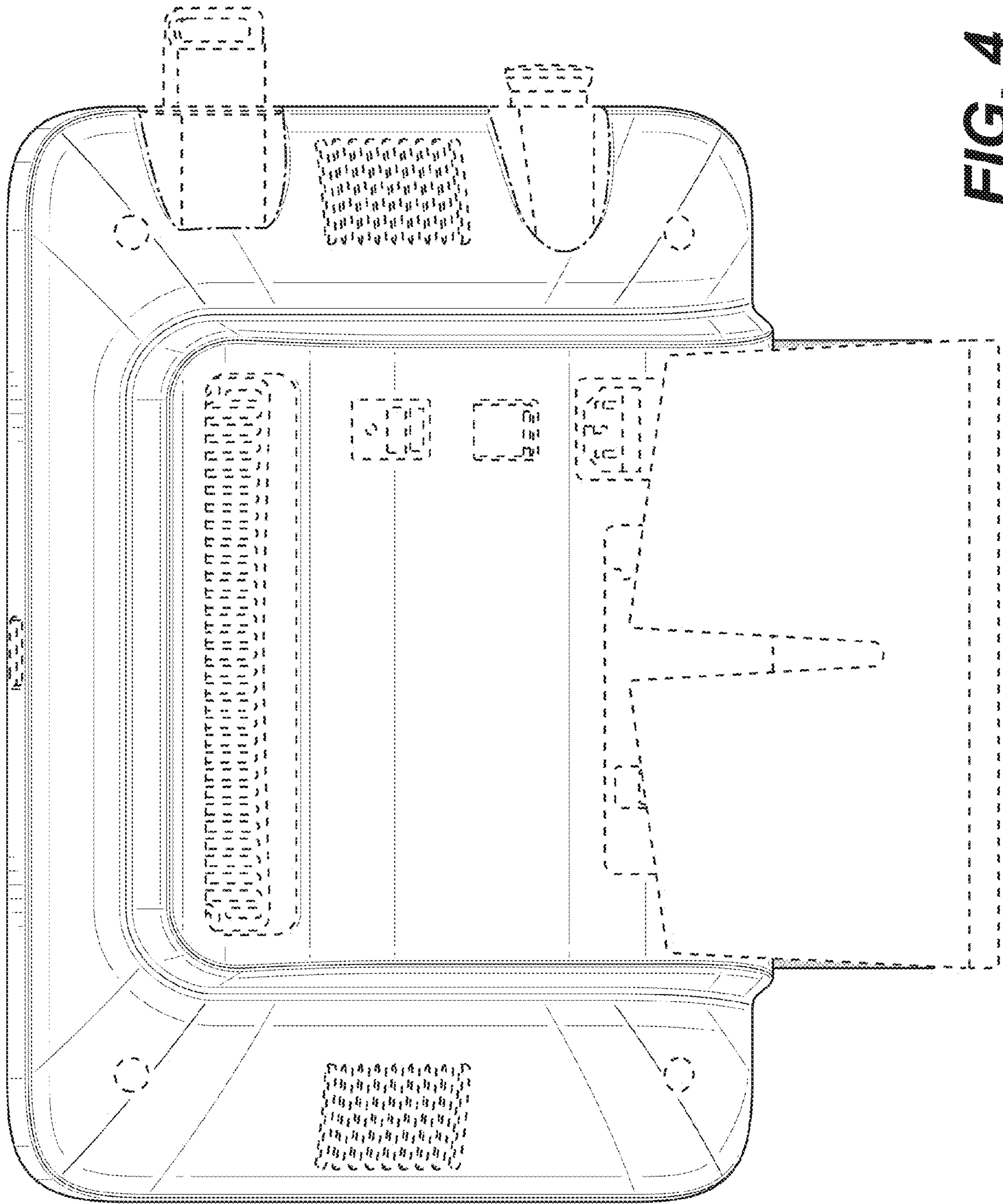


FIG. 4

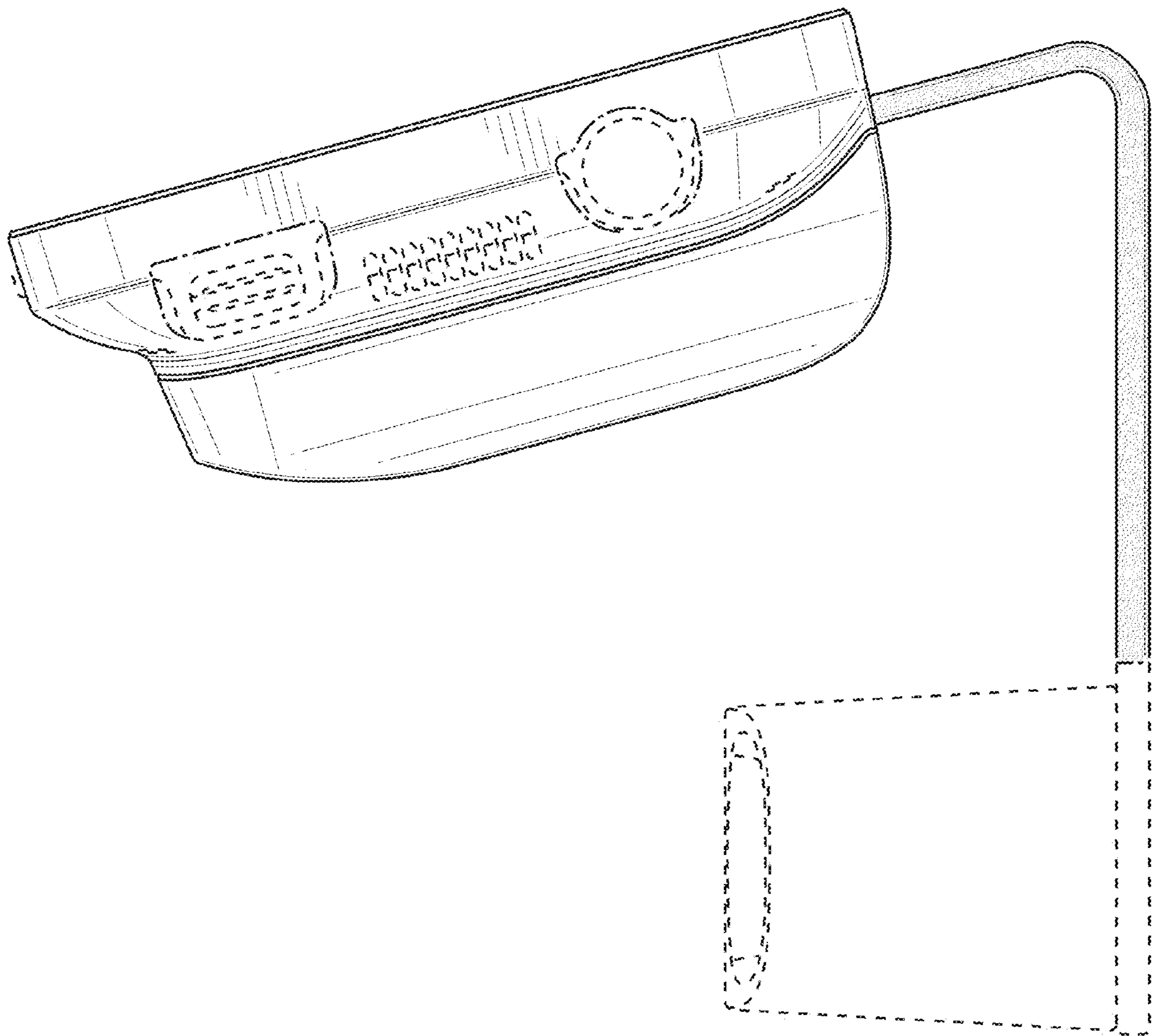


FIG. 5

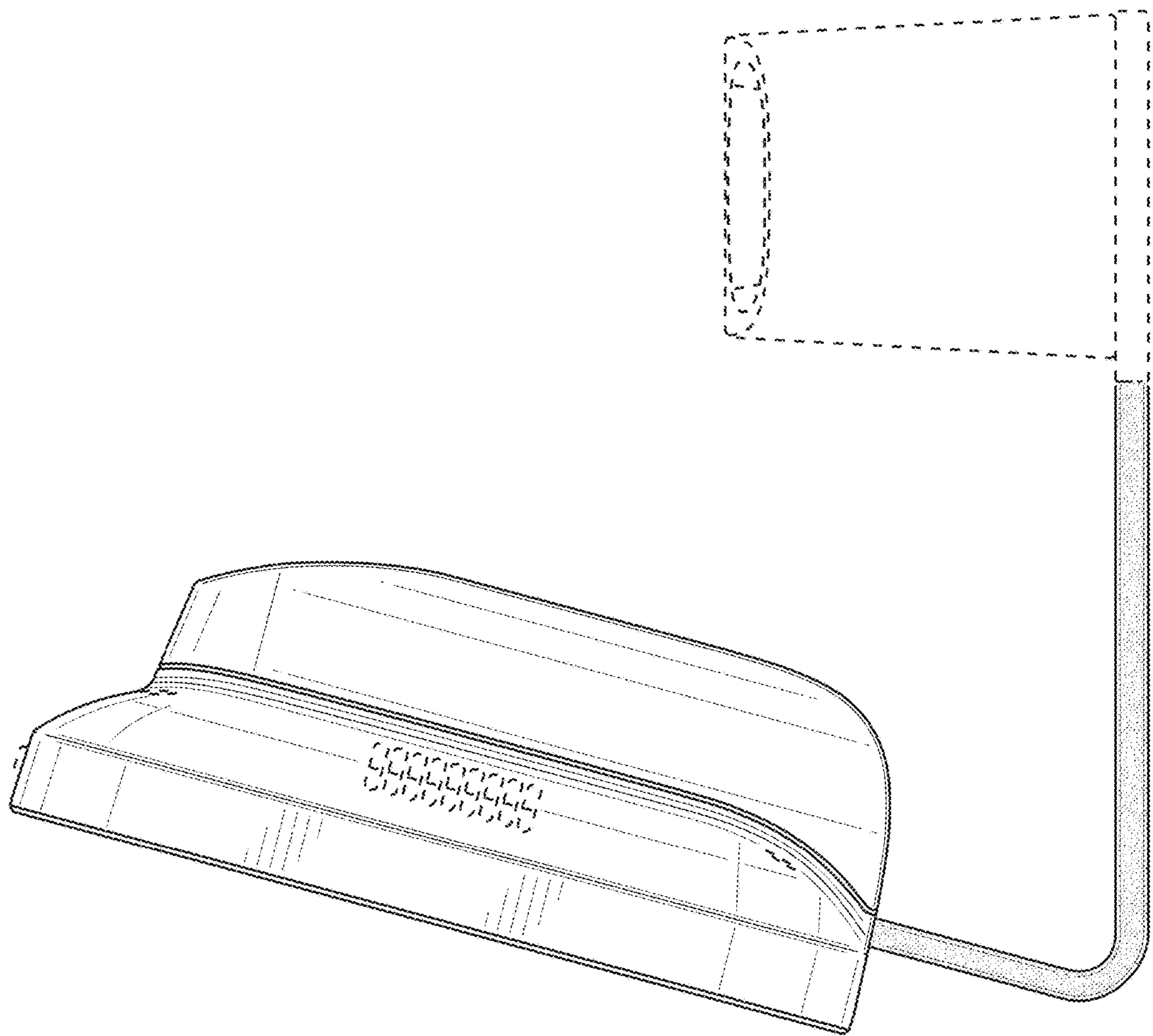


FIG. 6

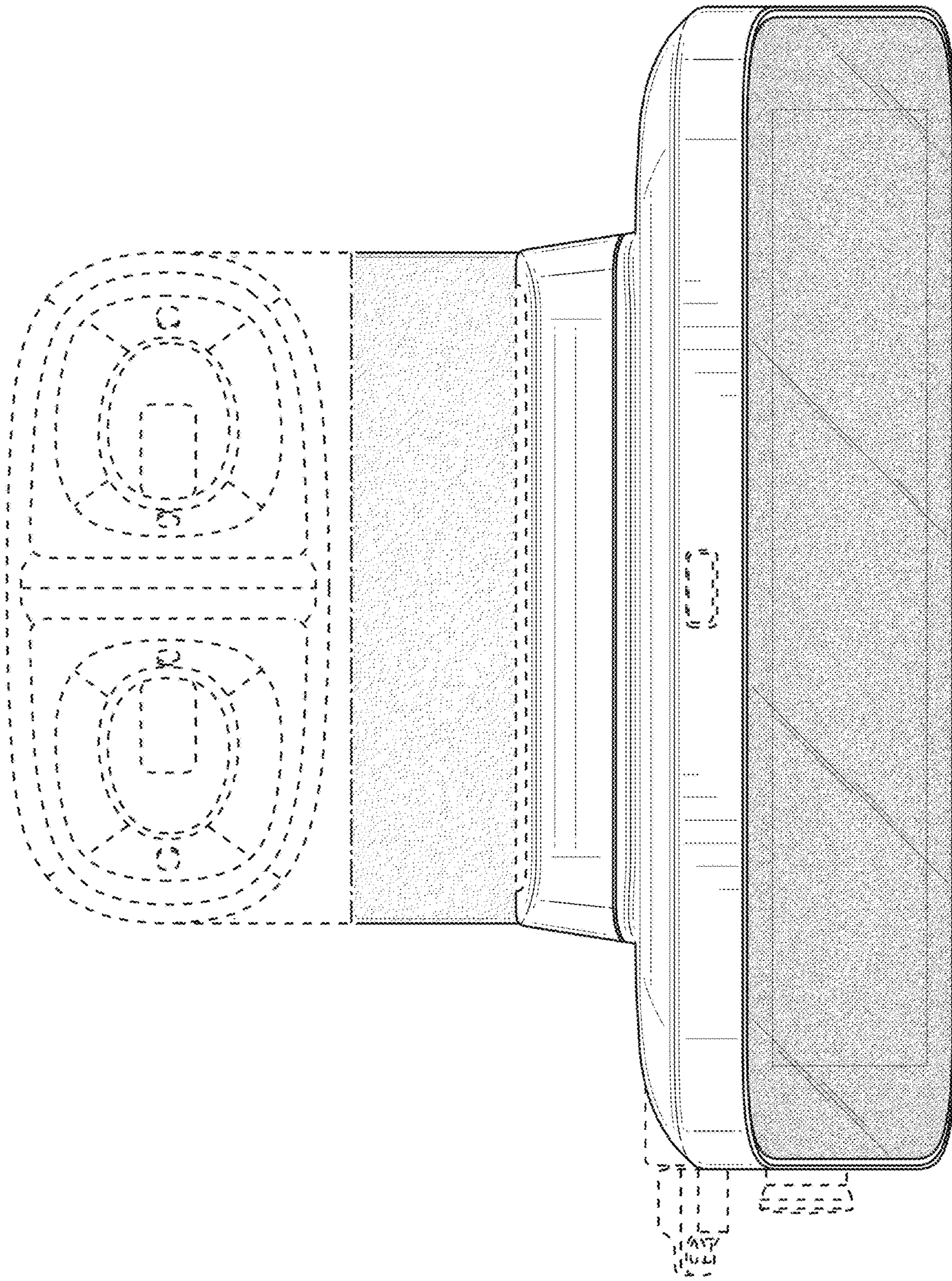


FIG. 7

