



US00D928974S

(12) **United States Design Patent** (10) **Patent No.:** **US D928,974 S**
Zulkosky et al. (45) **Date of Patent:** **** Aug. 24, 2021**

(54) **THERAPEUTIC DEVICE**

(71) Applicant: **OrthoCor Medical, Inc.**, Arden Hills, MN (US)
(72) Inventors: **Wyatt T. Zulkosky**, Excelsior, MN (US); **Daniel T. Wenzel**, Little Canada, MN (US); **Aimee M. Krebsbach**, Mahtomedi, MN (US)
(73) Assignee: **OrthoCor Medical, Inc.**, Arden Hills, MN (US)
(**) Term: **15 Years**

(21) Appl. No.: **29/719,878**

(22) Filed: **Jan. 8, 2020**

(51) **LOC (13) Cl.** **28-03**

(52) **U.S. Cl.**
USPC **D24/200**

(58) **Field of Classification Search**

USPC D24/200, 188–192, 206, 215; D29/101.1, D29/101.2, 101.3, 120.1, 121.1, 121.2
CPC A61H 2205/00; A61H 2205/02; A61H 2205/04; A61H 2205/06; A61H 2205/08; A61H 2205/10; A61H 2205/12; A61H 2201/10; A61F 2007/0009; A61F 2007/0011; A61F 2007/0012; A61F 2007/0018; A61F 2007/0022; A61F 2007/0024–0027; A61F 2007/0029–0031; A61F 2007/0039–0042; A61F 2007/0044; A61F 7/007; A61B 5/04; A61N 1/0452; A61N 1/0492; A61N 1/18; A61N 1/20; A61N 1/205; A61N 1/22; A61N 1/321; A61N

(Continued)

(56) **References Cited**

U.S. PATENT DOCUMENTS

4,470,417 A * 9/1984 Gruber A61F 5/028 128/DIG. 15
D409,753 S * 5/1999 Affholter D24/188

(Continued)

FOREIGN PATENT DOCUMENTS

CN 302424968 * 5/2013
CN 302424969 * 5/2013

OTHER PUBLICATIONS

White large oval electrode patches by Healthmate Forever. Healthmateforever.com. No posting date. Date retrieved: Dec. 28, 2020. Retrieved from internet: <https://www.healthmateforever.com/products/snap-on-white-large-oval-pads-for-wi9> (Year: 2020).*

Primary Examiner — Lilyana Bekic

Assistant Examiner — Lee D. Starr

(74) *Attorney, Agent, or Firm* — Schwegman Lundberg & Woessner, P.A.

(57) **CLAIM**

The ornamental design for a therapeutic device, as shown and described.

DESCRIPTION

FIG. 1 is a front view of a knee therapy device, showing our new design.

FIG. 2 is a rear view thereof.

FIG. 3 is a left side view thereof.

FIG. 4 is a right side view thereof.

FIG. 5 is a top view thereof.

FIG. 6 is a bottom view thereof.

FIG. 7 is a top-front-left perspective view thereof.

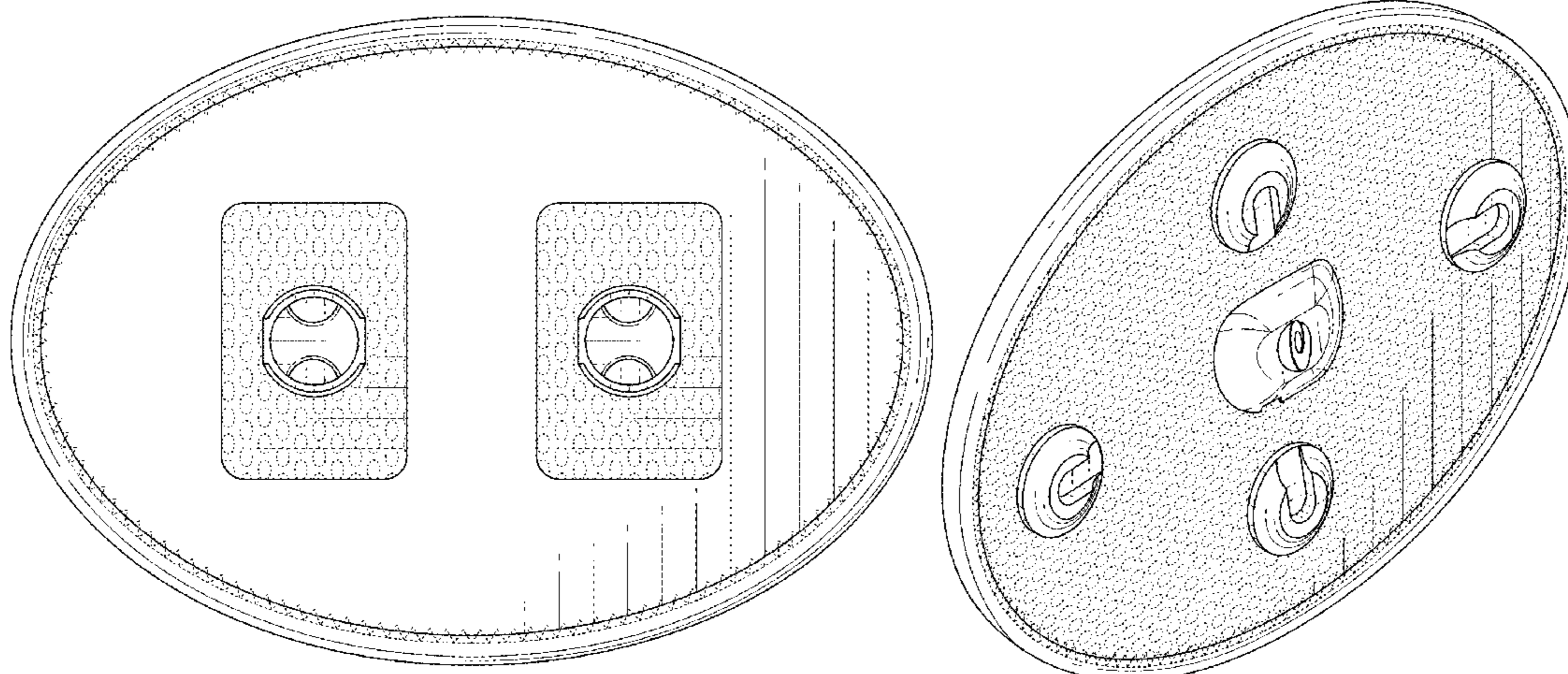
FIG. 8 is a bottom-front-right perspective view thereof.

FIG. 9 is a top-rear-right perspective view thereof; and,

FIG. 10 is a bottom-rear-left perspective view thereof.

The broken lines on the pill-shaped element in FIG. 8 depict portions of the therapeutic device that form no part of the claimed design. All other broken lines are used to depict stitching and patterning and do form part of the claimed design.

1 Claim, 4 Drawing Sheets



(58) **Field of Classification Search**

CPC .. 1/36; A61N 1/36003; A61N 1/36014; A61N
1/36021; A61N 2/00; A61N 2/02; A61N
2/04; A61N 2/06; A61N 2/08

See application file for complete search history.

(56) **References Cited**

U.S. PATENT DOCUMENTS

D454,668	S	*	3/2002	Marasco	D29/121.1
D456,100	S	*	4/2002	Marasco	D29/121.1
D766,448	S	*	9/2016	Gergely	D24/189
D810,311	S	*	2/2018	Chen	D24/200
D866,769	S	*	11/2019	Yosef	D24/189
D898,924	S	*	10/2020	Hinds	D24/189
2008/0021363	A1	*	1/2008	Fee	A41D 13/0562 602/76
2012/0197064	A1	*	8/2012	Hwang	A61N 2/02 600/13
2015/0190629	A1	*	7/2015	Mohn	A61N 1/0452 607/115

* cited by examiner

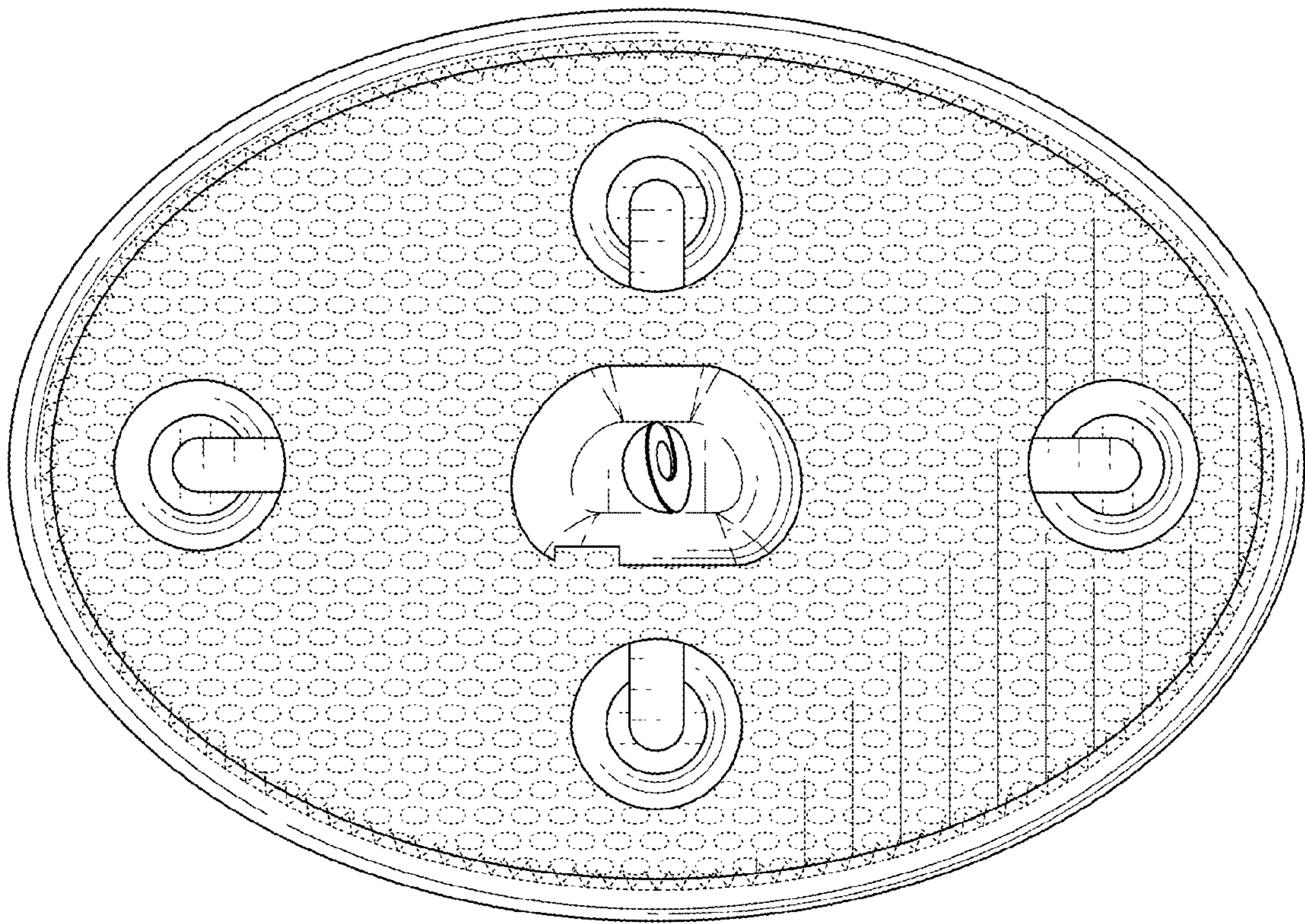


FIG. 1

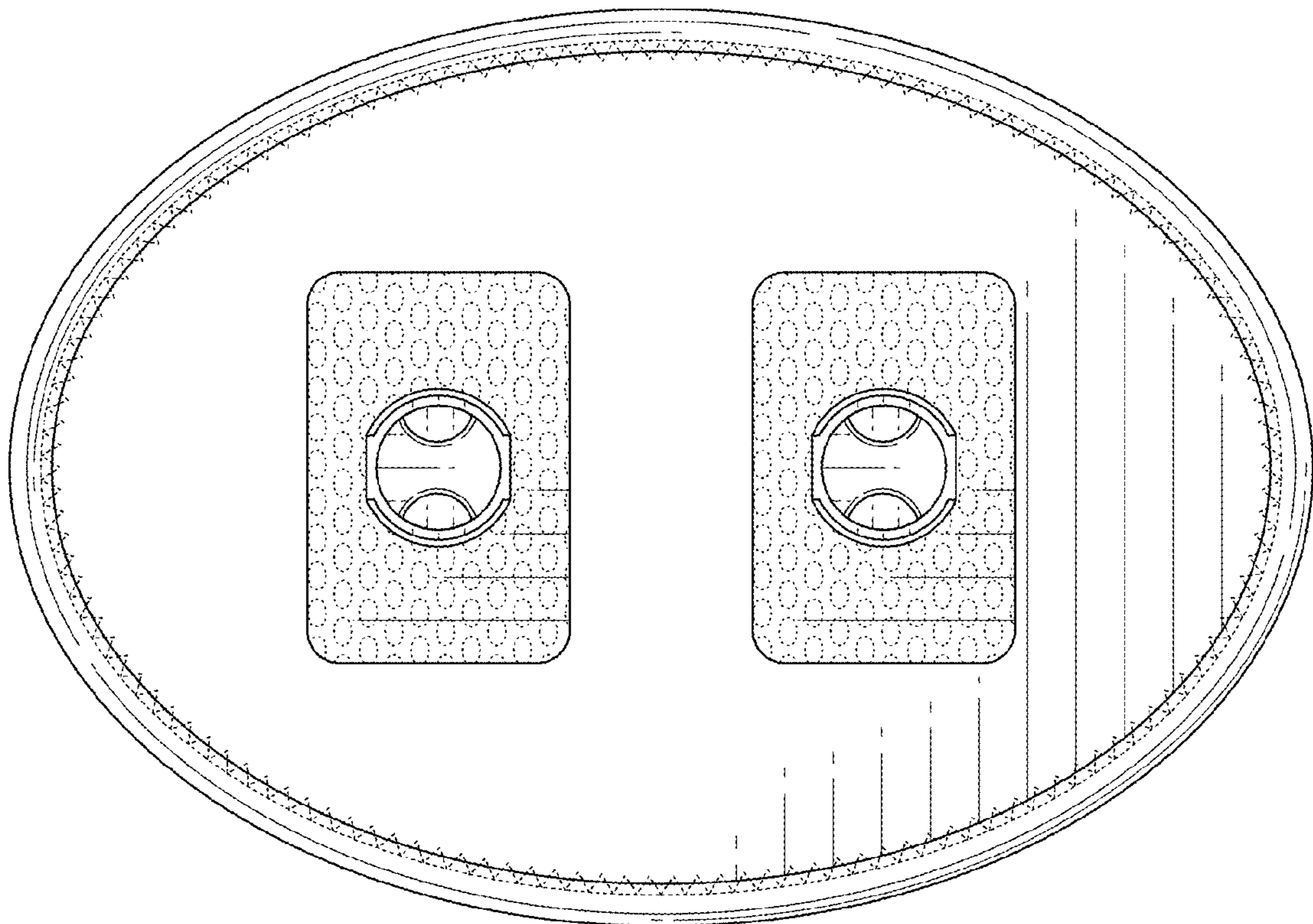


FIG. 2

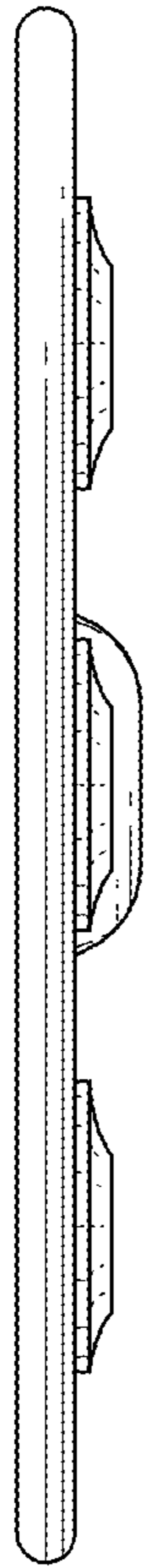


FIG. 3

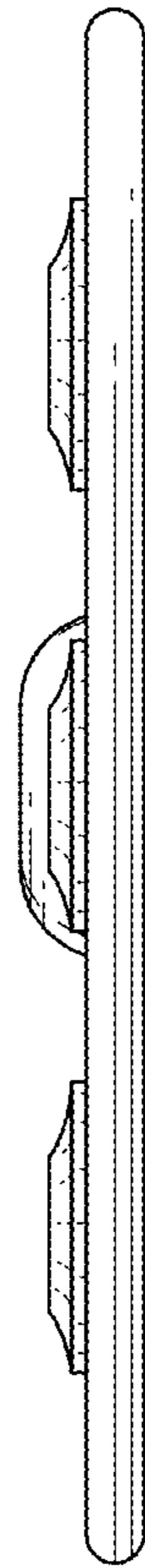


FIG. 4

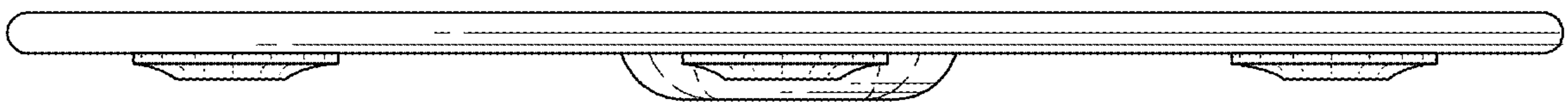


FIG. 5

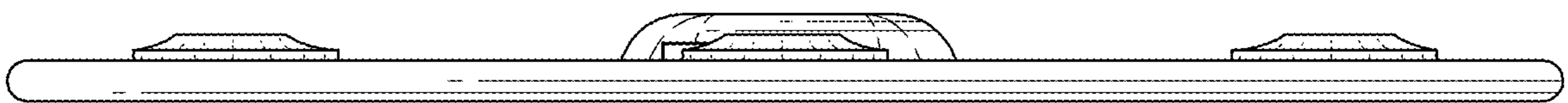


FIG. 6

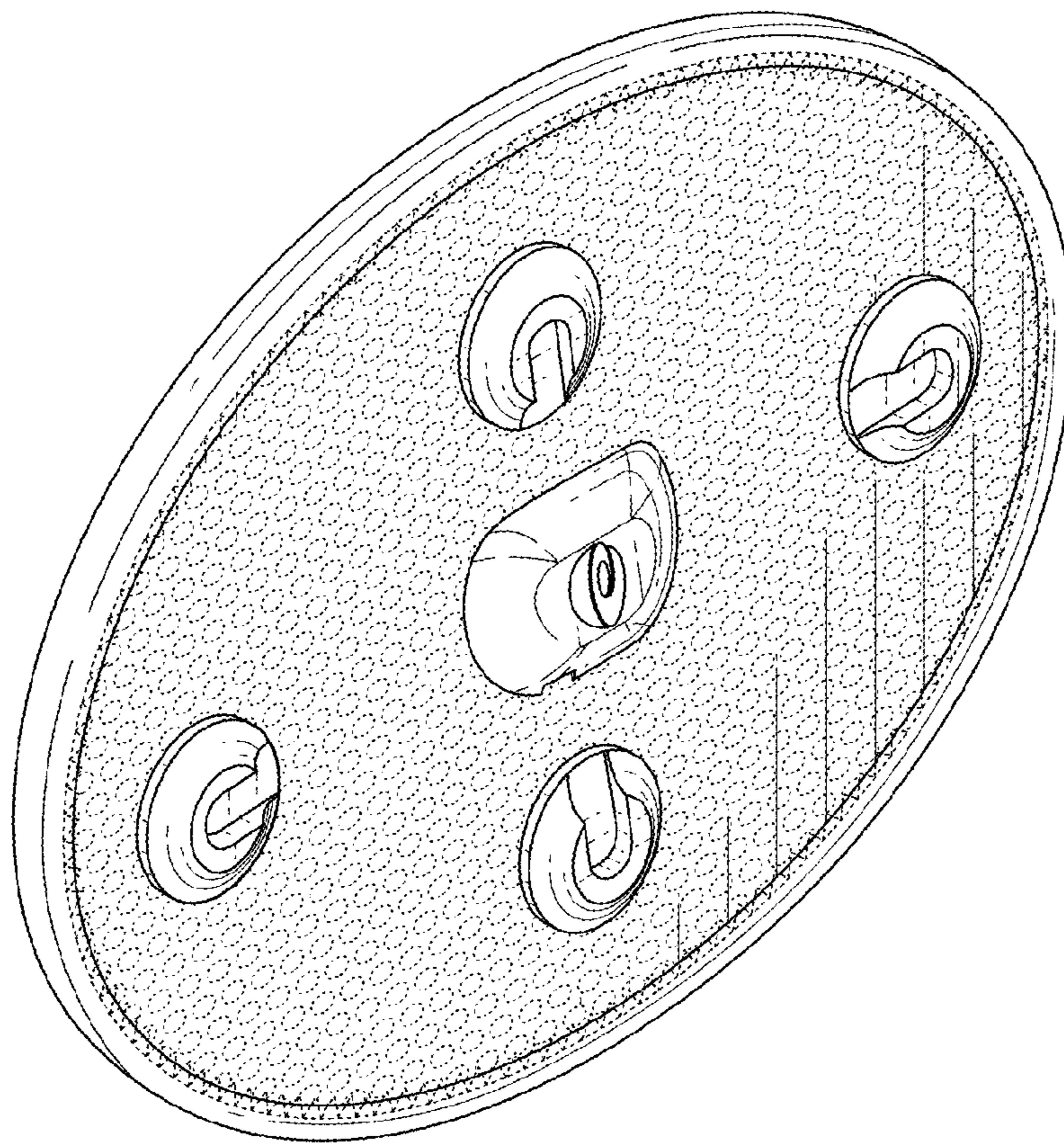


FIG. 7

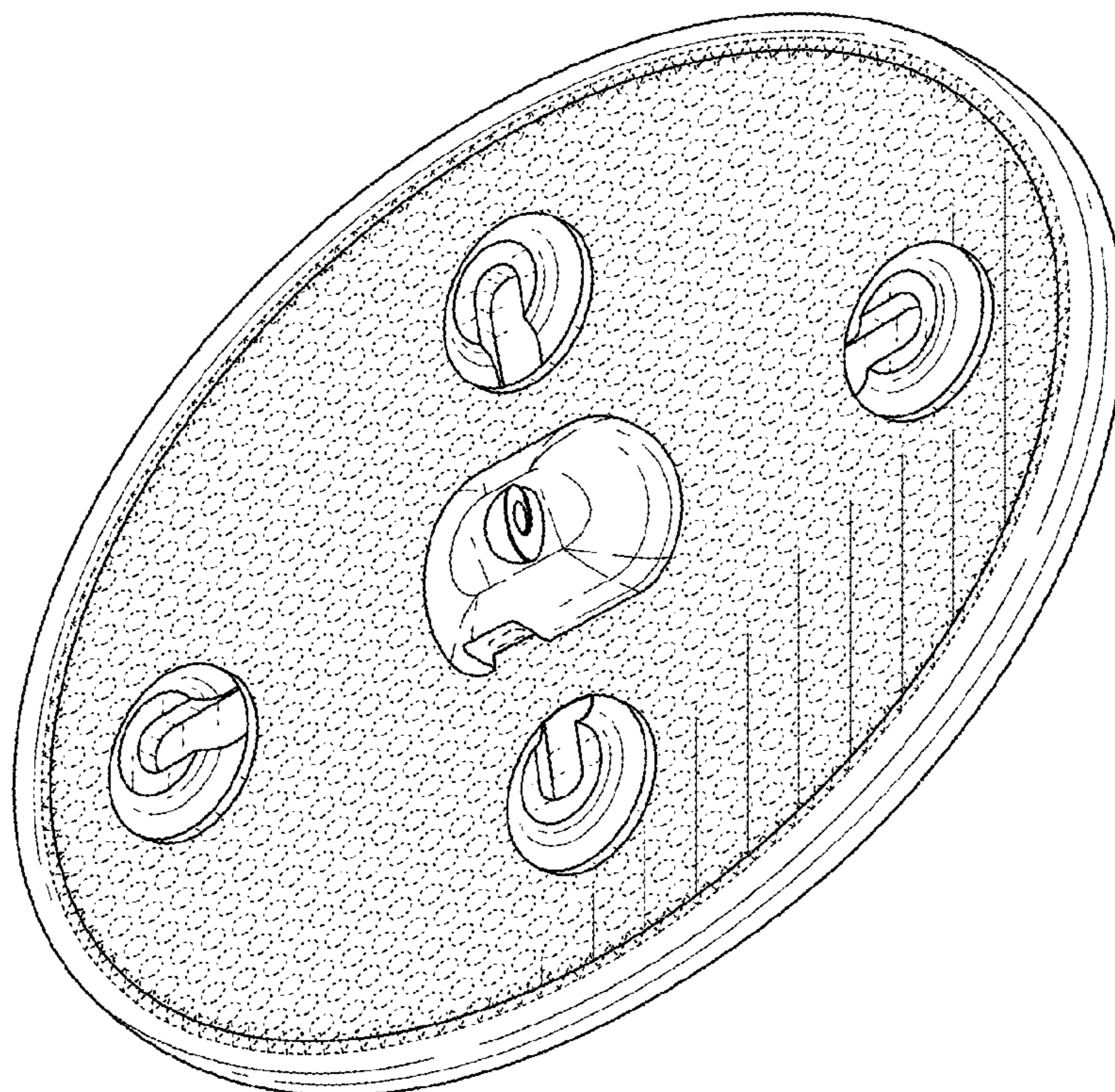


FIG. 8

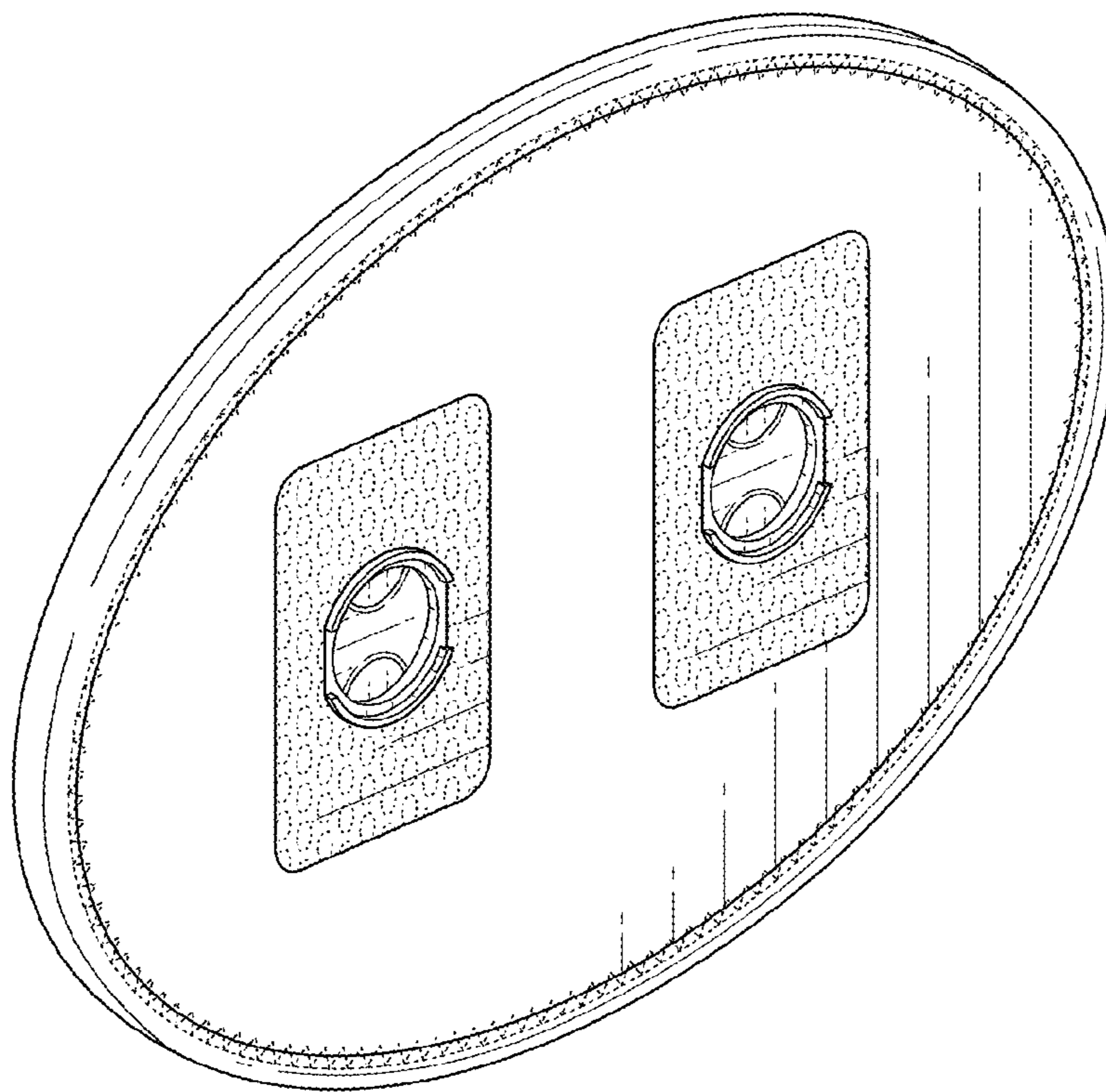


FIG. 9

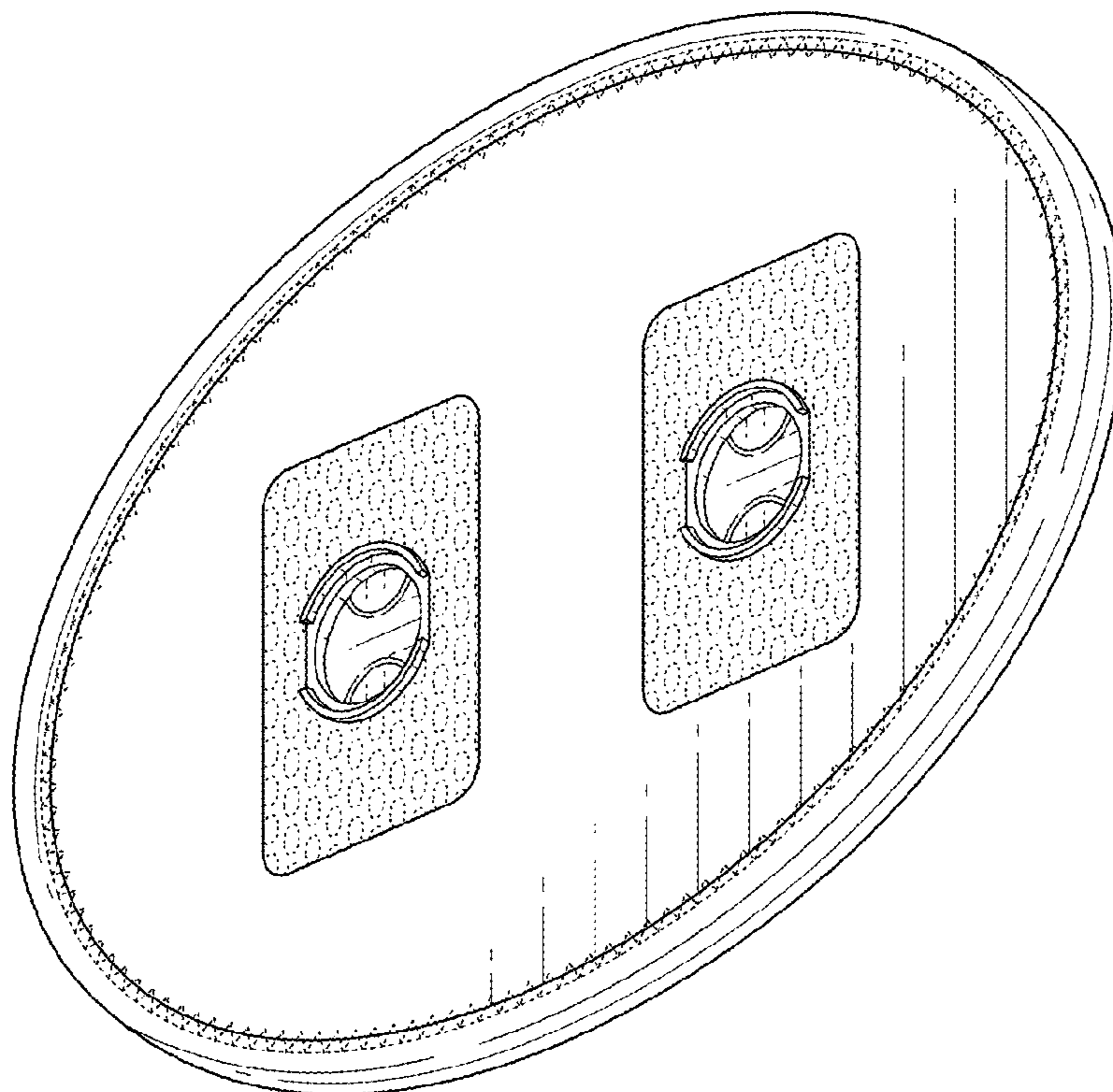


FIG. 10