



US00D928971S

(12) **United States Design Patent** (10) **Patent No.:** **US D928,971 S**
Eggeling et al. (45) **Date of Patent:** **** Aug. 24, 2021**

(54) **ELASTIC BANDAGE WITH ANCHORING PART**

(71) Applicant: **PEAK Safety ApS**, Holstebro (DK)

(72) Inventors: **Kristian Eggeling**, Holstebro (DK);
Allan Pedersen, Holstebro (DK)

(73) Assignees: **Trident Holding IVS**, Helsingor (DK);
AGLP Holding ApS, Holstebro (DK)

(**) Term: **15 Years**

(21) Appl. No.: **29/649,375**

(22) Filed: **May 29, 2018**

(51) **LOC (13) Cl.** **24-02**

(52) **U.S. Cl.**
USPC **D24/189**

(58) **Field of Classification Search**
USPC D24/189-192; D8/367, 372
CPC A61F 2013/00119; A61F 2013/00127
See application file for complete search history.

(56) **References Cited**

U.S. PATENT DOCUMENTS

D312,147 S	*	11/1990	Lapin	D24/192
D377,529 S	*	1/1997	Nyqvist-Mayer	D24/189
D405,347 S	*	2/1999	Mezey	D13/177
D421,124 S	*	2/2000	Yavitz	D24/189
D480,293 S	*	10/2003	Ismail	D6/315
D483,491 S	*	12/2003	Grady	D24/189
D667,720 S	*	9/2012	Berkowitz	D8/367

D714,621 S	*	10/2014	Pan	D8/367
D714,622 S	*	10/2014	Pan	D8/367
D746,994 S	*	1/2016	Lewis, Jr.	D24/187
D754,862 S	*	4/2016	Huff	D11/223
D759,828 S	*	6/2016	Riedle	D24/189
D765,260 S	*	8/2016	Sparr	D24/190
D796,684 S	*	9/2017	Ko	D24/189
D821,589 S	*	6/2018	Sakotic	D24/189
D867,115 S	*	11/2019	Zhang	A61F 13/00055

2017/0296391 A1* 10/2017 Kendall A61F 13/00055

* cited by examiner

Primary Examiner — Sheryl Lane

Assistant Examiner — Calvin E Vansant

(74) *Attorney, Agent, or Firm* — Morse, Barnes-Brown & Pendleton, P.C.; Sean D. Detweiler, Esq.

(57) **CLAIM**

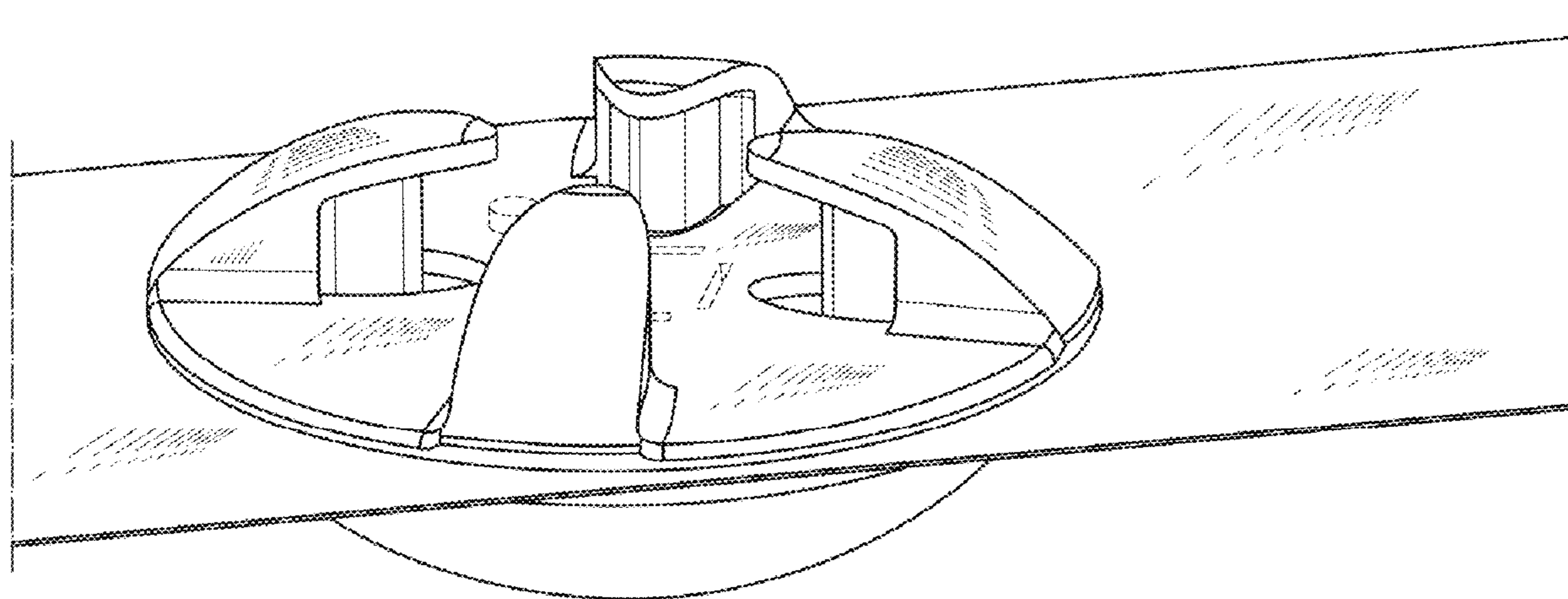
The ornamental design for an elastic bandage with anchoring part, as shown and described.

DESCRIPTION

FIG. 1 is a right top perspective view of an elastic bandage with anchoring part, according to our new design;
FIG. 2 is a right side view thereof;
FIG. 3 is left side perspective view thereof; and,
FIG. 4 is a bottom perspective view thereof.

In the drawings, the dashed broken lines depict portions of the elastic bandage with anchoring part that form no part of the claimed design. The dot-dash lines represent a symbolic break in its length. The appearance of any portion of the article beyond the break forms no part of the claimed design.

1 Claim, 4 Drawing Sheets



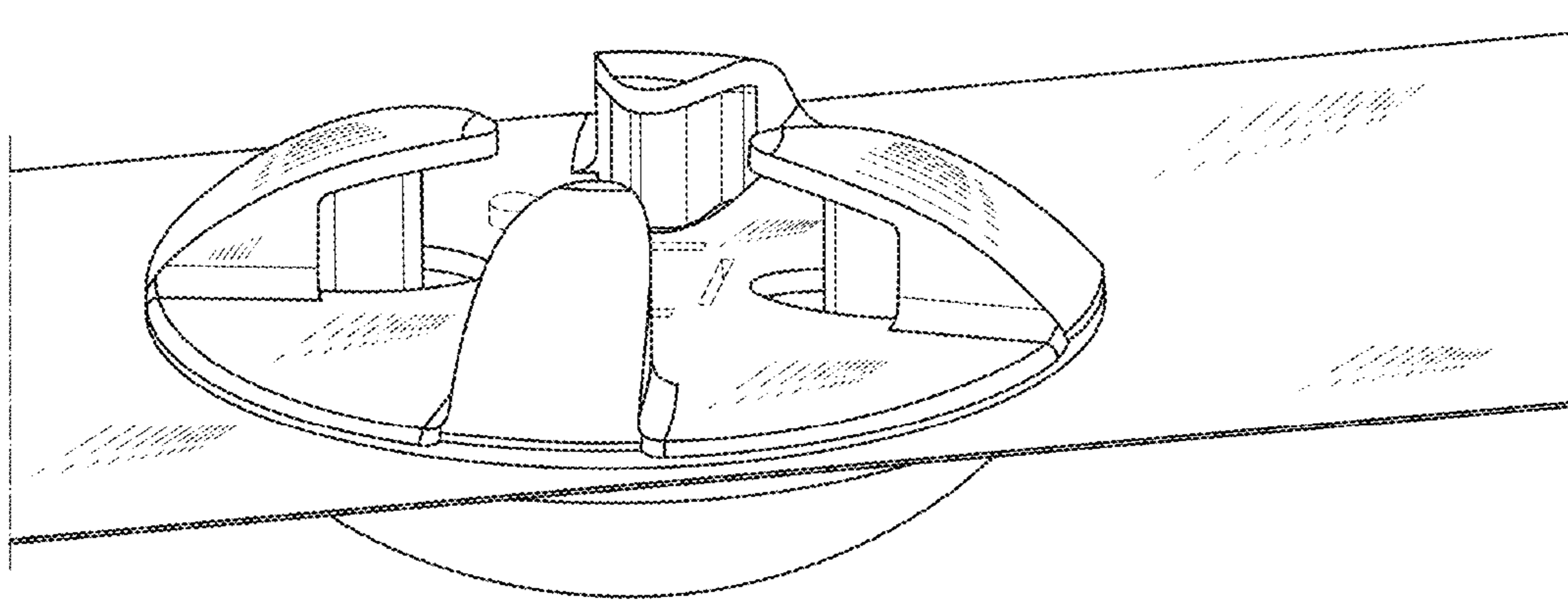


FIG. 1

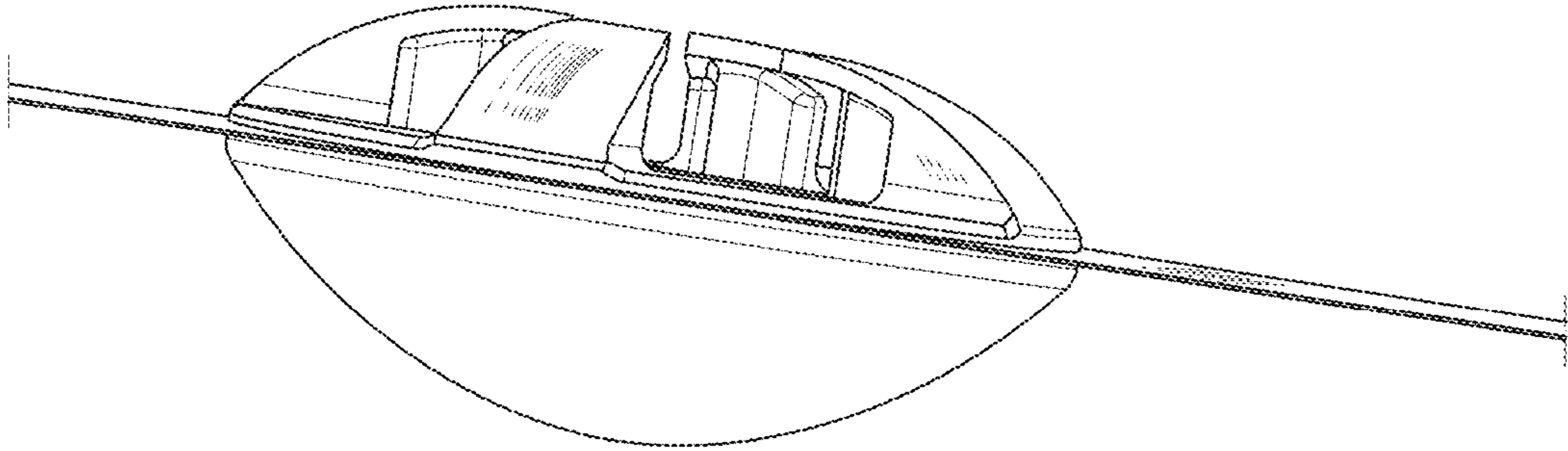


FIG. 2

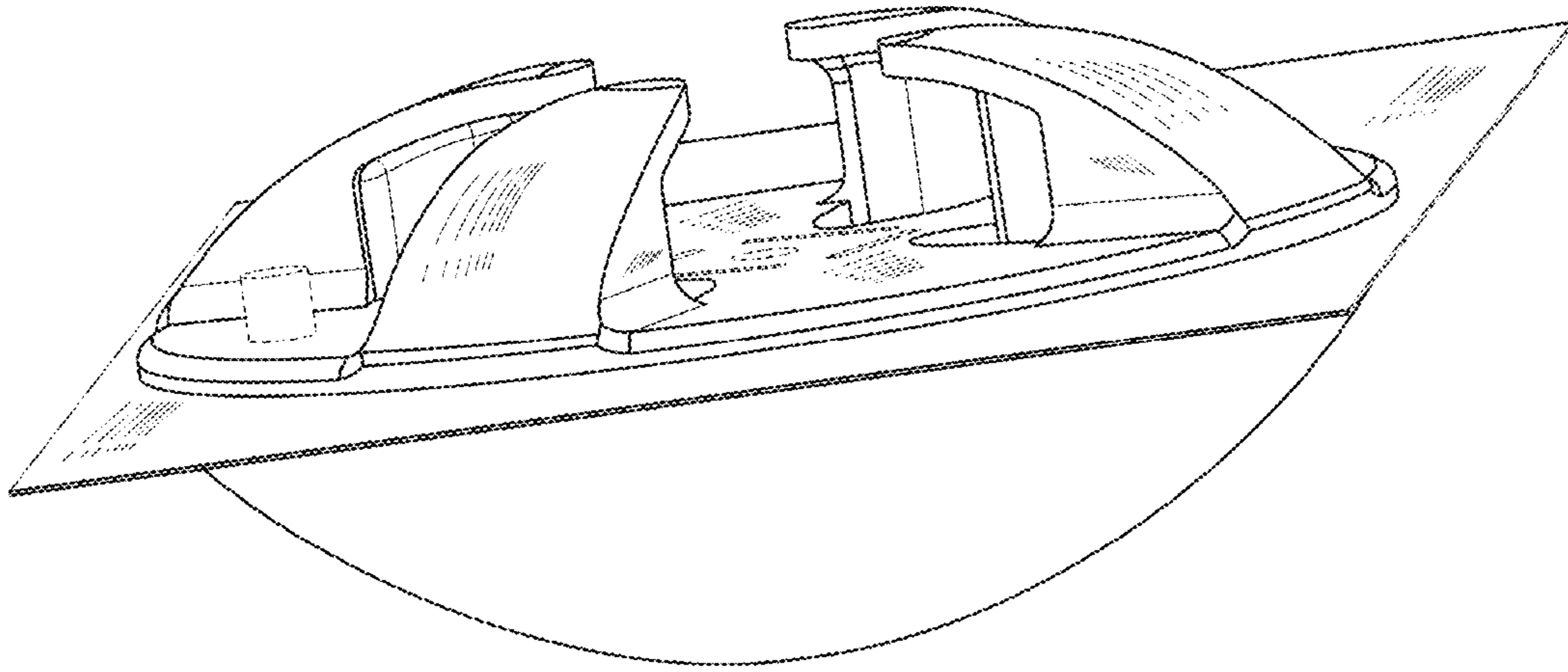


FIG. 3

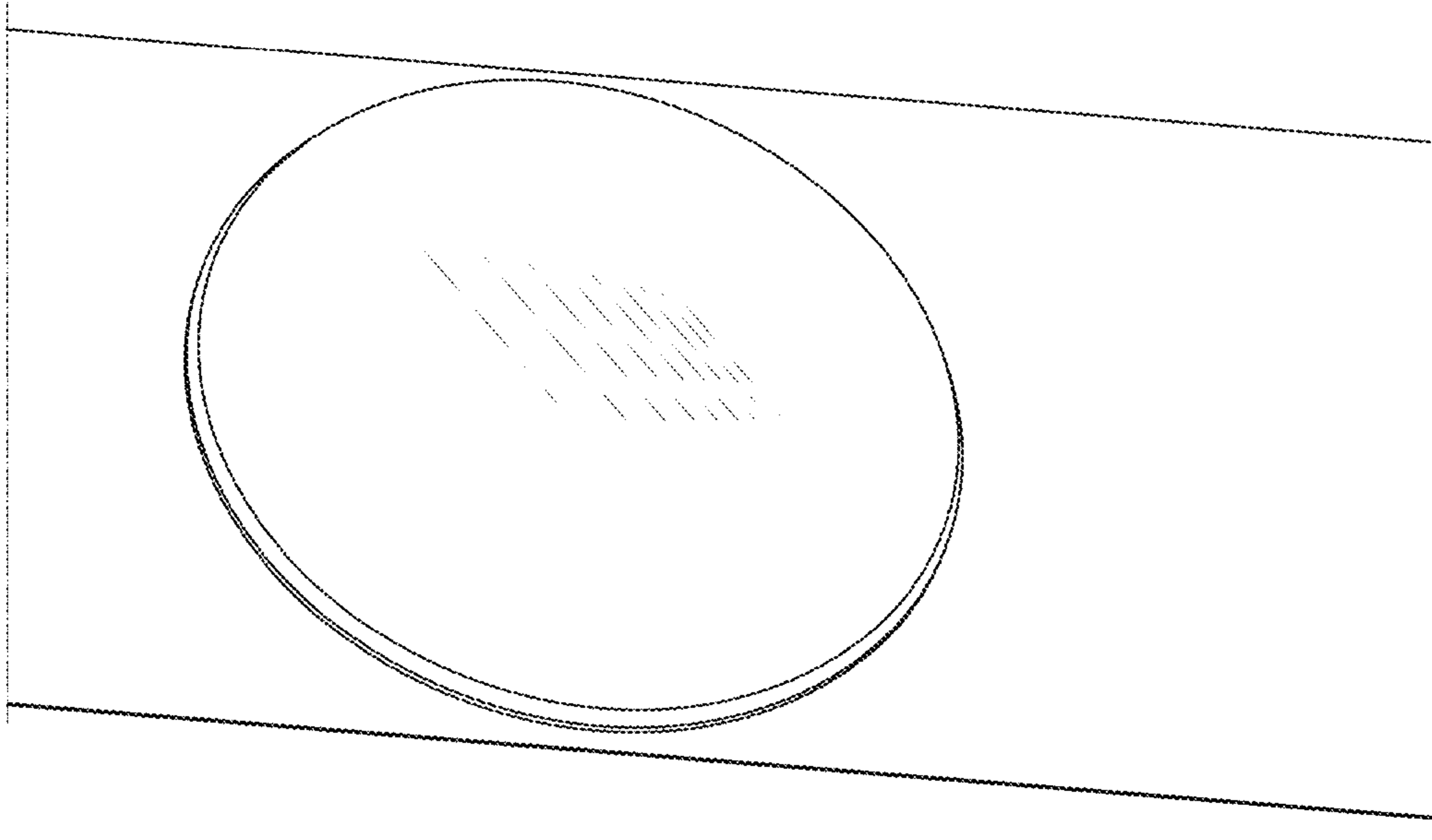


FIG. 4