



US00D928970S

(12) **United States Design Patent** (10) **Patent No.:** **US D928,970 S**  
**Sato** (45) **Date of Patent:** **\*\* Aug. 24, 2021**

(54) **MEDICAL MONITORING DEVICE**

(71) Applicant: **Nihon Kohden Corporation**, Tokyo (JP)

(72) Inventor: **Masashi Sato**, Saitama (JP)

(73) Assignee: **Nihon Kohden Corporation**, Tokyo (JP)

(\*\*) Term: **15 Years**

(21) Appl. No.: **29/667,971**

(22) Filed: **Oct. 26, 2018**

(51) **LOC (13) Cl.** ..... **24-01**

(52) **U.S. Cl.**  
USPC ..... **D24/186**

(58) **Field of Classification Search**  
USPC ..... D24/170, 177, 185, 186, 216–219, 225,  
D24/231–234; D10/81  
CPC ..... A61B 5/742; A61B 5/743; A61B 5/7425;  
A61B 5/6898; A61B 5/02405; A61B  
5/02411; A61B 5/02427; A61B 5/02438;  
A61B 5/0002; A61B 5/04325  
See application file for complete search history.

(56) **References Cited**

**U.S. PATENT DOCUMENTS**

D613,411 S *	4/2010	Collins	.....	D24/186
D624,654 S *	9/2010	Shimizu	.....	D24/186
D643,126 S *	8/2011	Barker	.....	D24/186
D657,061 S *	4/2012	Wu	.....	D24/186
D693,006 S *	11/2013	Arimitsu	.....	D24/167
D706,239 S *	6/2014	Chen	.....	D14/186
D711,003 S *	8/2014	Chen	.....	D24/186
D711,004 S *	8/2014	Chen	.....	D24/186

D735,344 S *	7/2015	Weichert	.....	D24/186
D787,346 S *	5/2017	Rhein	.....	D10/70
D807,513 S *	1/2018	Eslava	.....	D24/186
2013/0267861 A1 *	10/2013	Vassallo	.....	A61B 5/0816 600/532
2019/0250664 A1 *	8/2019	Eslava	.....	A61B 5/002

**OTHER PUBLICATIONS**

Life Scope SVM-7200 Series Vital Signs Monitor, posted at us.nihonkohden.com, no posting date, retrieved Dec. 17, 2019, online, URL: <https://us.nihonkohden.com/media/1483/svm-7200-life-scope-vital-signs-spec-sheet.pdf> (Year: 2019).\*

\* cited by examiner

*Primary Examiner* — Lilyana Bekic

*Assistant Examiner* — Mary Shannon Malley

(74) *Attorney, Agent, or Firm* — Osha Bergman Watanabe & Burton LLP

(57) **CLAIM**

The ornamental design for a medical monitoring device, as shown and described.

**DESCRIPTION**

FIG. 1 is a perspective view of the top, front and right side of a medical monitoring device showing my new design; FIG. 2 is a front view thereof; FIG. 3 is a rear view thereof; FIG. 4 is a left side view thereof; FIG. 5 is a right side view thereof. FIG. 6 is a top plan view thereof; and, FIG. 7 is a bottom plan view thereof. The broken lines are used to illustrate portions of the medical monitoring device that form no part of the claimed design.

**1 Claim, 6 Drawing Sheets**

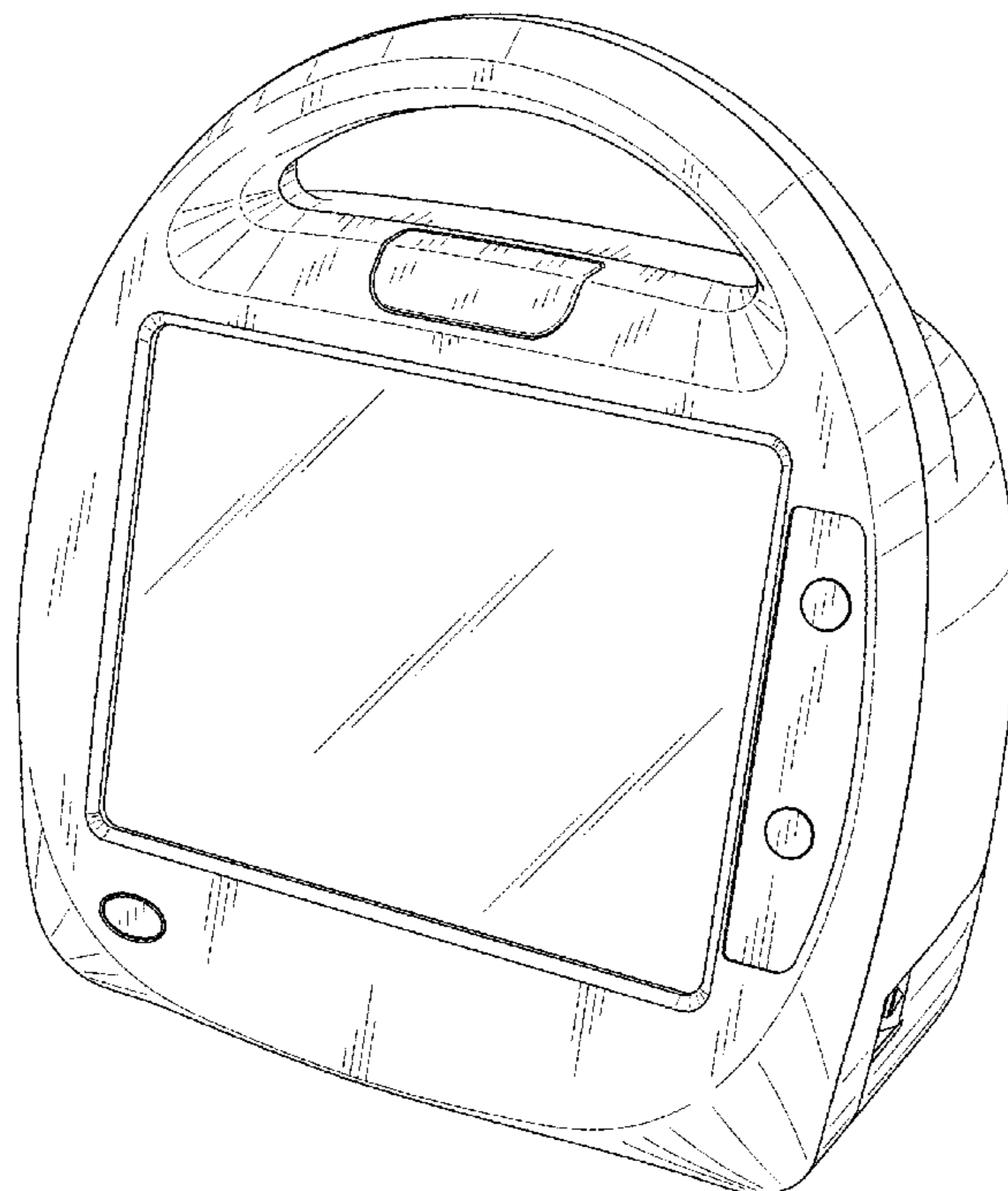


FIG. 1

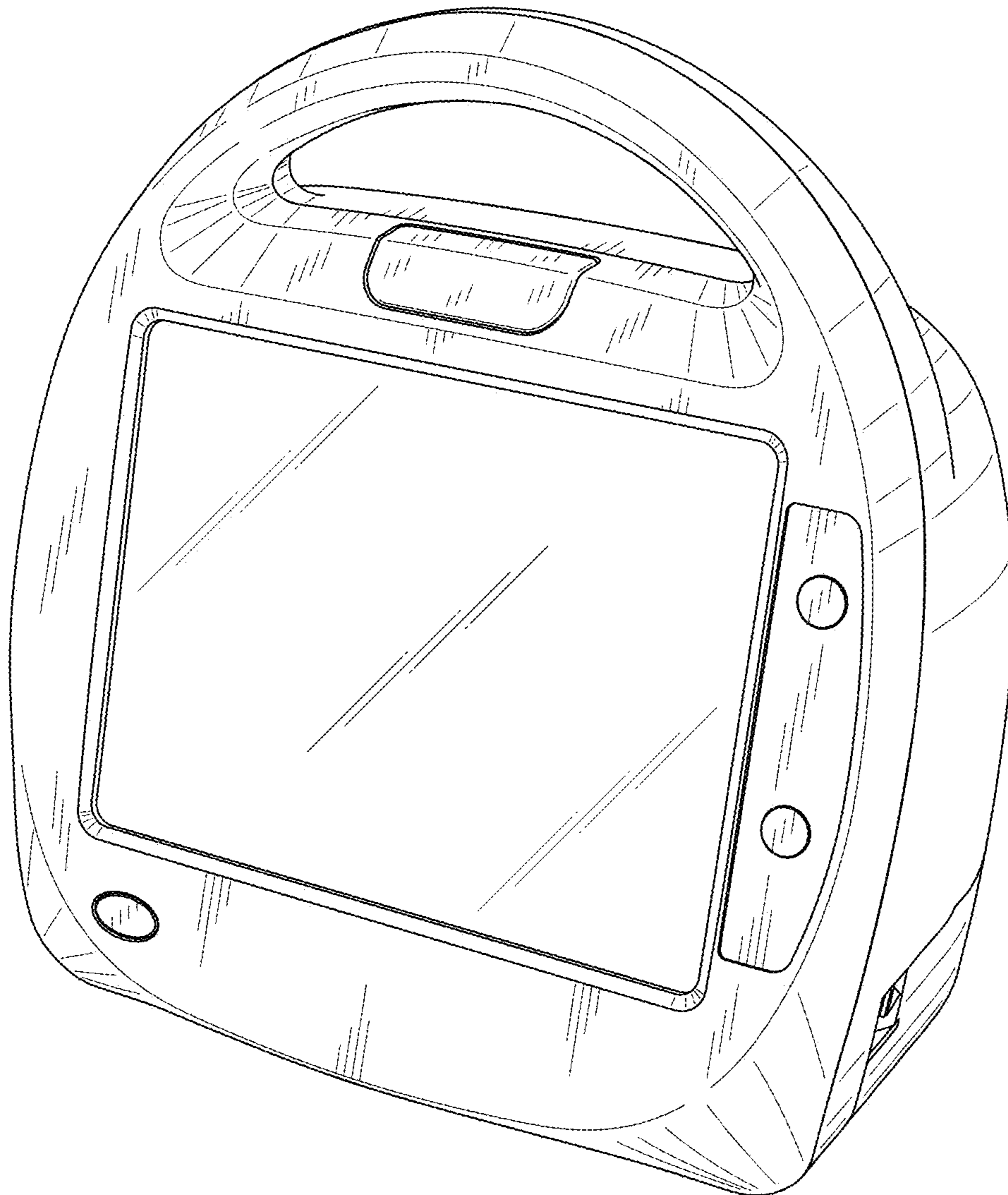


FIG. 2

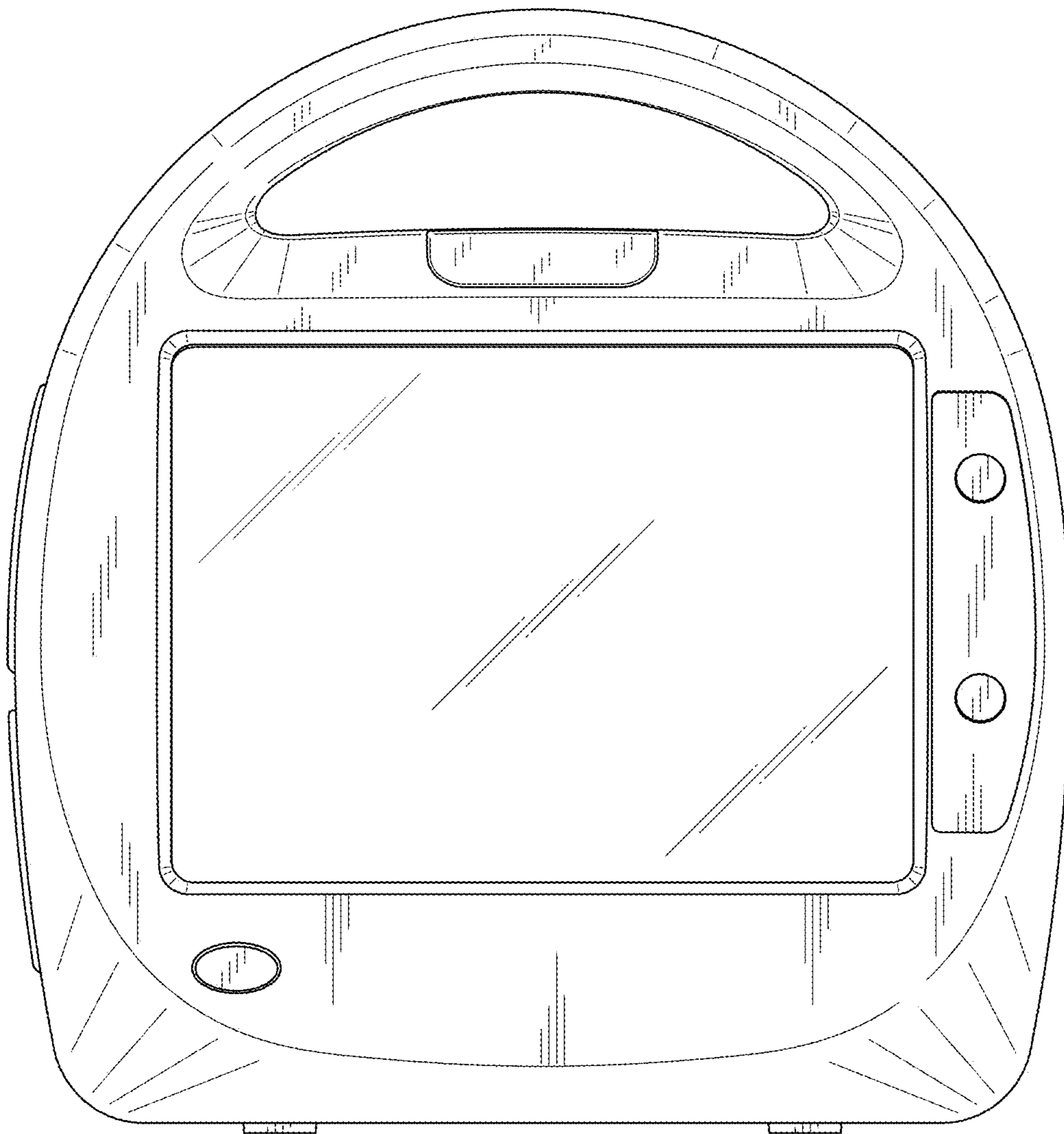


FIG. 3

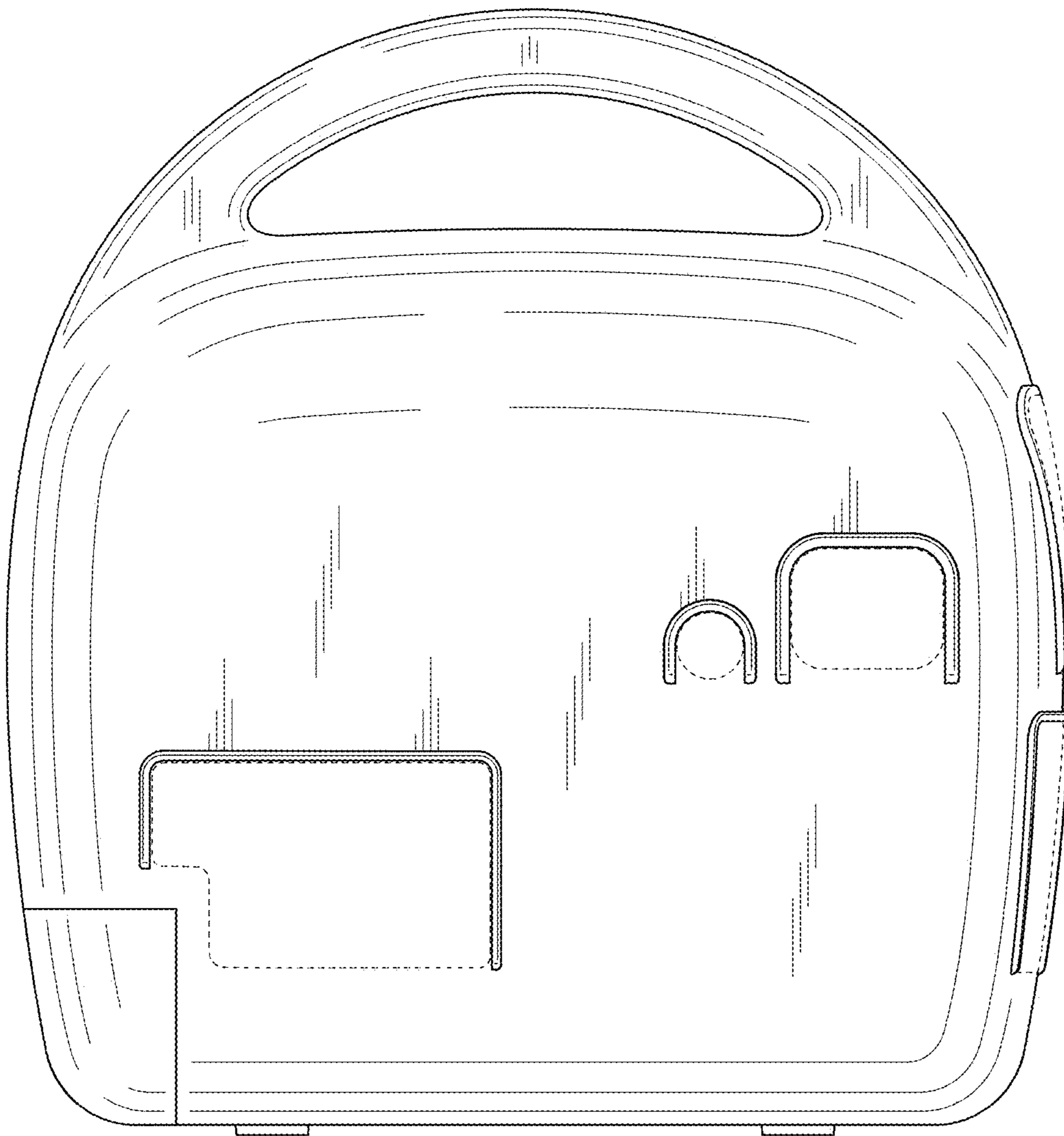


FIG. 4

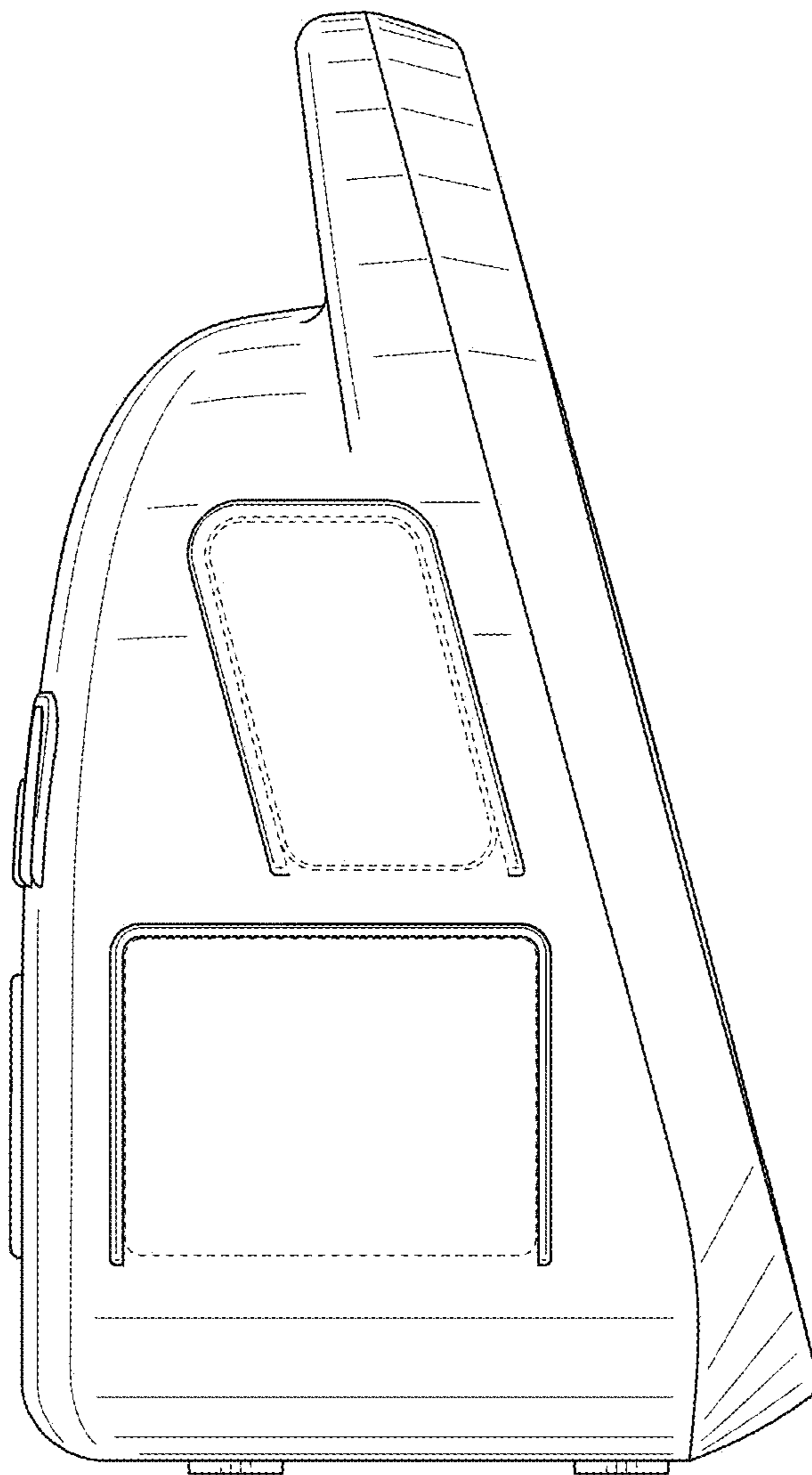


FIG. 5

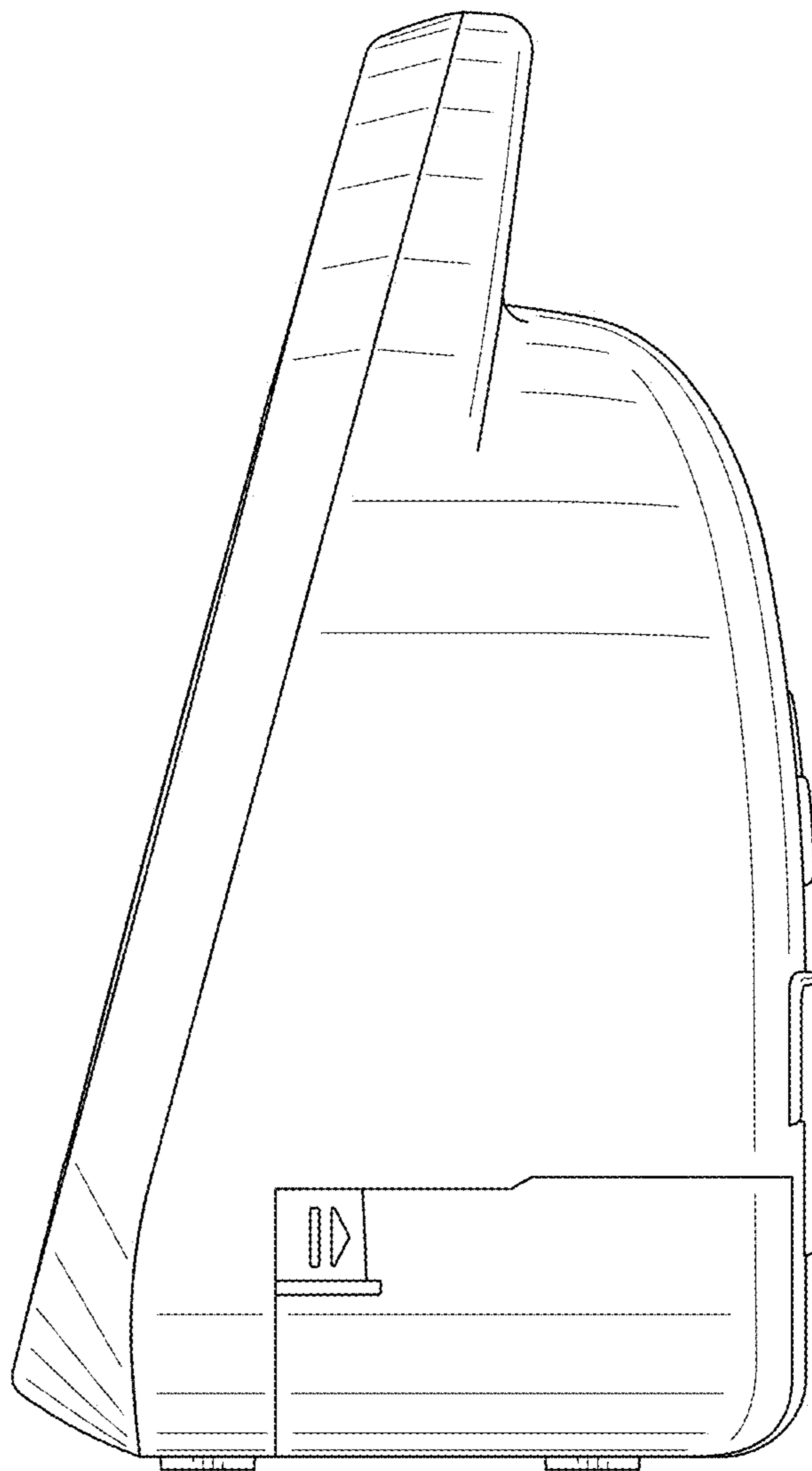


FIG. 6

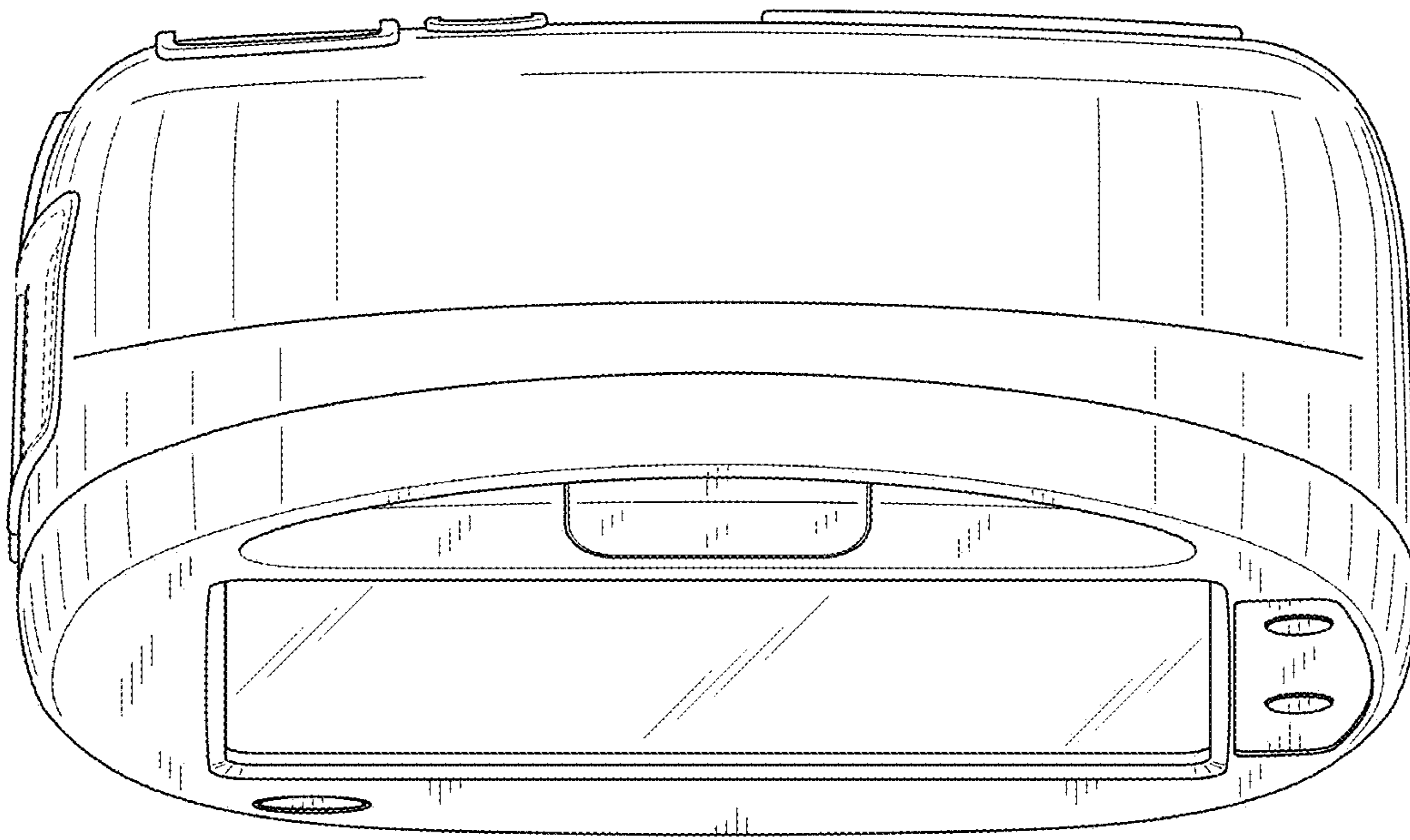


FIG. 7

