



US00D928968S

(12) **United States Design Patent** (10) **Patent No.:** **US D928,968 S**
Robran (45) **Date of Patent:** **** Aug. 24, 2021**

(54) **LIMB ELEVATION DEVICE**

(71) Applicant: **BONE FOAM, INC.**, Corcoran, MN (US)

(72) Inventor: **Chad L. Robran**, Plymouth, MN (US)

(73) Assignee: **BONE FOAM, INC.**, Corcoran, MN (US)

(**) Term: **15 Years**

(21) Appl. No.: **29/713,804**

(22) Filed: **Nov. 19, 2019**

(51) **LOC (13) Cl.** **24-02**

(52) **U.S. Cl.**
USPC **D24/184**

(58) **Field of Classification Search**
USPC D24/171, 183–184, 188, 190–191, 200,
D24/211, 215; D6/601, 604, 716, 716.1
(Continued)

(56) **References Cited**

U.S. PATENT DOCUMENTS

D284,738 S * 7/1986 Stone 16/82
D321,562 S * 11/1991 Ljungvall D24/183
(Continued)

OTHER PUBLICATIONS

Armedica Bolsters—Firm Vinyl Bolster, Flat-Top Wedge, 32" W×10" H×12" D—AM830. Retrieved on Apr. 13, 2021 from URL: <https://www.graylinemedical.com/products/armedica-bolsters-firm-vinyl-bolster-flat-top-wedge-32-w-x-10-h-x-12-d-am830?variant=31848865726521&gclid=EA1alQobChMI-on> (Year: 2021).*

Primary Examiner — Janice Hallmark
Assistant Examiner — Omeed Agilee

(74) *Attorney, Agent, or Firm* — Workman Nydegger

(57) **CLAIM**

The ornamental design for a limb elevation device, as shown and described.

DESCRIPTION

FIG. 1 illustrates a perspective view of an exemplary use of a limb elevation device incorporating a first embodiment of the new design, the limb elevation device illustrated in a flat, supine configuration;

FIG. 2 illustrates a top, right perspective view thereof;

FIG. 3 illustrates a top, left perspective view thereof;

FIG. 4 illustrates a bottom, left perspective view thereof;

FIG. 5 illustrates a bottom, right perspective view thereof;

FIG. 6 illustrates a front elevation view thereof;

FIG. 7 illustrates a rear elevation view thereof;

FIG. 8 illustrates a top plan view thereof;

FIG. 9 illustrates a bottom plan view thereof;

FIG. 10 illustrates a right side elevation view thereof;

FIG. 11 illustrates a left side elevation view thereof;

FIG. 12 illustrates a perspective view of an exemplary use of a limb elevation device incorporating a second embodiment of the new design, the limb elevation device illustrated in a flat, supine configuration;

FIG. 13 illustrates a top, right perspective view thereof;

FIG. 14 illustrates a top, left perspective view thereof;

FIG. 15 illustrates a bottom, left perspective view thereof;

FIG. 16 illustrates a bottom, right perspective view thereof;

FIG. 17 illustrates a front elevation view thereof;

FIG. 18 illustrates a rear elevation view thereof;

FIG. 19 illustrates a top plan view thereof;

FIG. 20 illustrates a bottom plan view thereof;

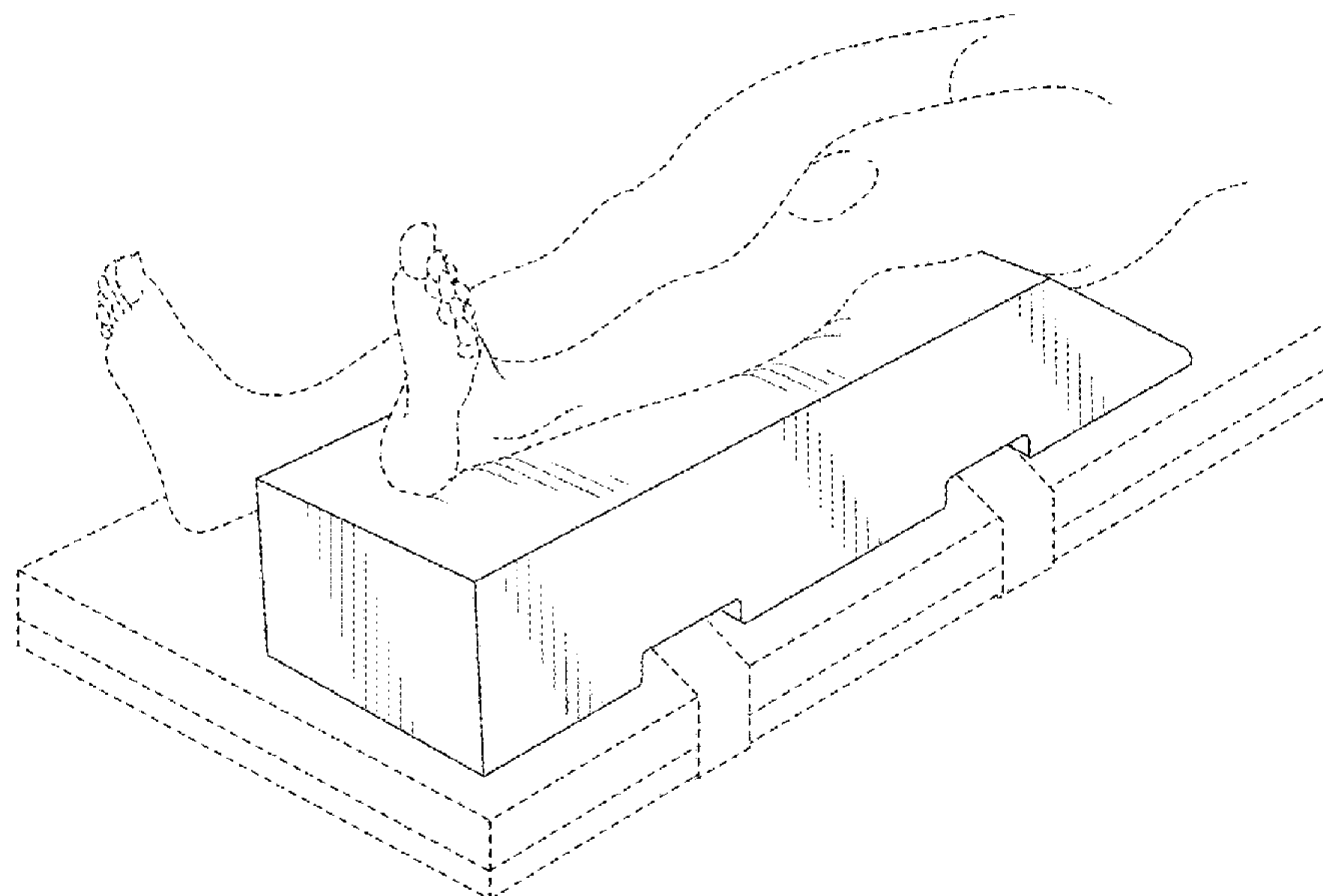
FIG. 21 illustrates a right side elevation view thereof; and,

FIG. 22 illustrates a left side elevation view thereof.

In the drawings, the broken lines depict portions of the limb elevation device that form no part of the claimed design.

The broken lines in FIGS. 1 and 12 showing a human figure depict environmental subject matter and form no part of the claimed design.

1 Claim, 18 Drawing Sheets



(58) **Field of Classification Search**

CPC A47B 21/0314; A47B 21/0371; A61G
7/0755; A61G 13/125; A47C 20/021;
A47C 20/026; A47C 16/025

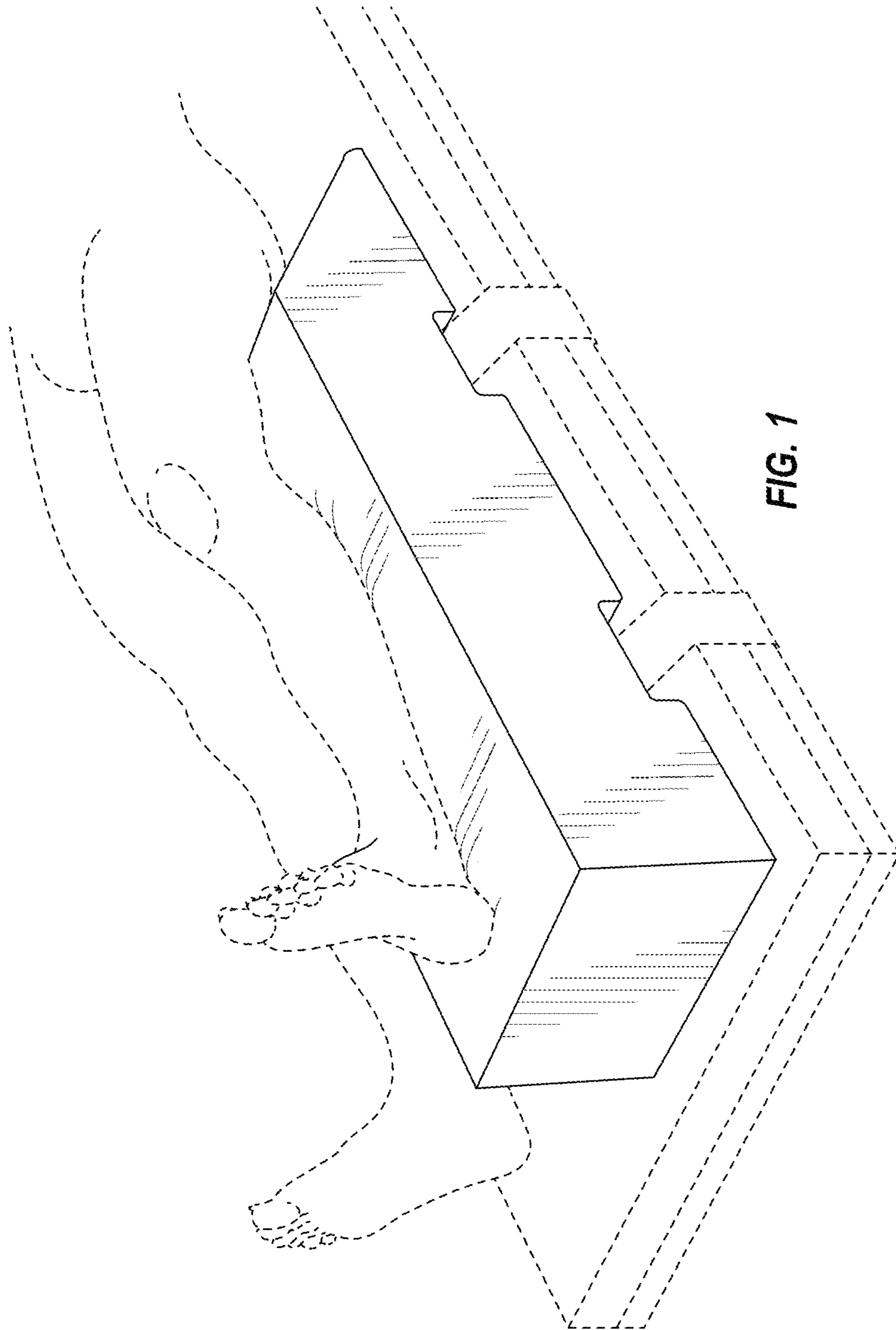
See application file for complete search history.

(56) **References Cited**

U.S. PATENT DOCUMENTS

D336,134	S *	6/1993	Kalatsky	D24/190
D362,072	S *	9/1995	Sternberg	D24/190
D387,167	S *	12/1997	Klein	D24/183
D387,872	S *	12/1997	Lazari	D24/215
6,186,967	B1 *	2/2001	Messina	A61F 5/01 128/882
D501,401	S *	2/2005	Shurman	D9/422
D531,315	S *	10/2006	Caudra	D24/183
D642,412	S *	8/2011	Cuba	D6/601
D642,694	S *	8/2011	Sharps	D24/190
D665,503	S *	8/2012	Dennewald	D24/183
D708,752	S *	7/2014	Oberst	D24/190
D748,931	S *	2/2016	Corigliano	D6/601
D881,792	S *	4/2020	Tang	D12/412
D883,713	S *	5/2020	Glatt	D6/601
D897,734	S *	10/2020	Moffett	D6/601
D907,781	S *	1/2021	Moudy	A61G 7/057 D24/184
D915,790	S *	4/2021	Smythe	D6/601
2013/0211425	A1 *	8/2013	Parsell	A61B 46/27 606/131
2017/0071333	A1 *	3/2017	Fox, III	A47B 23/042
2020/0397608	A1 *	12/2020	Roban	A61G 13/125
2021/0077287	A1 *	3/2021	Robran	A61F 5/0116

* cited by examiner



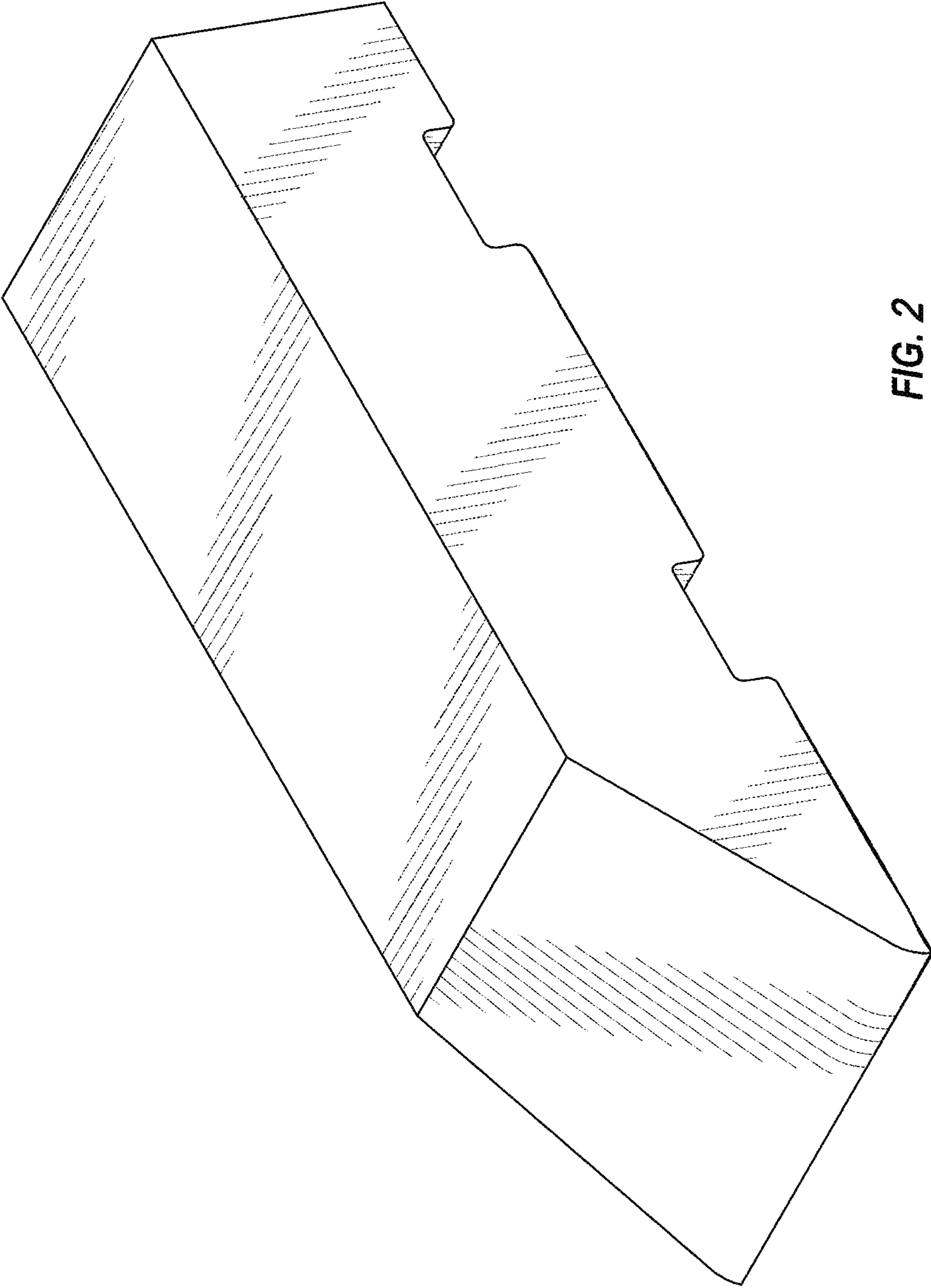


FIG. 2

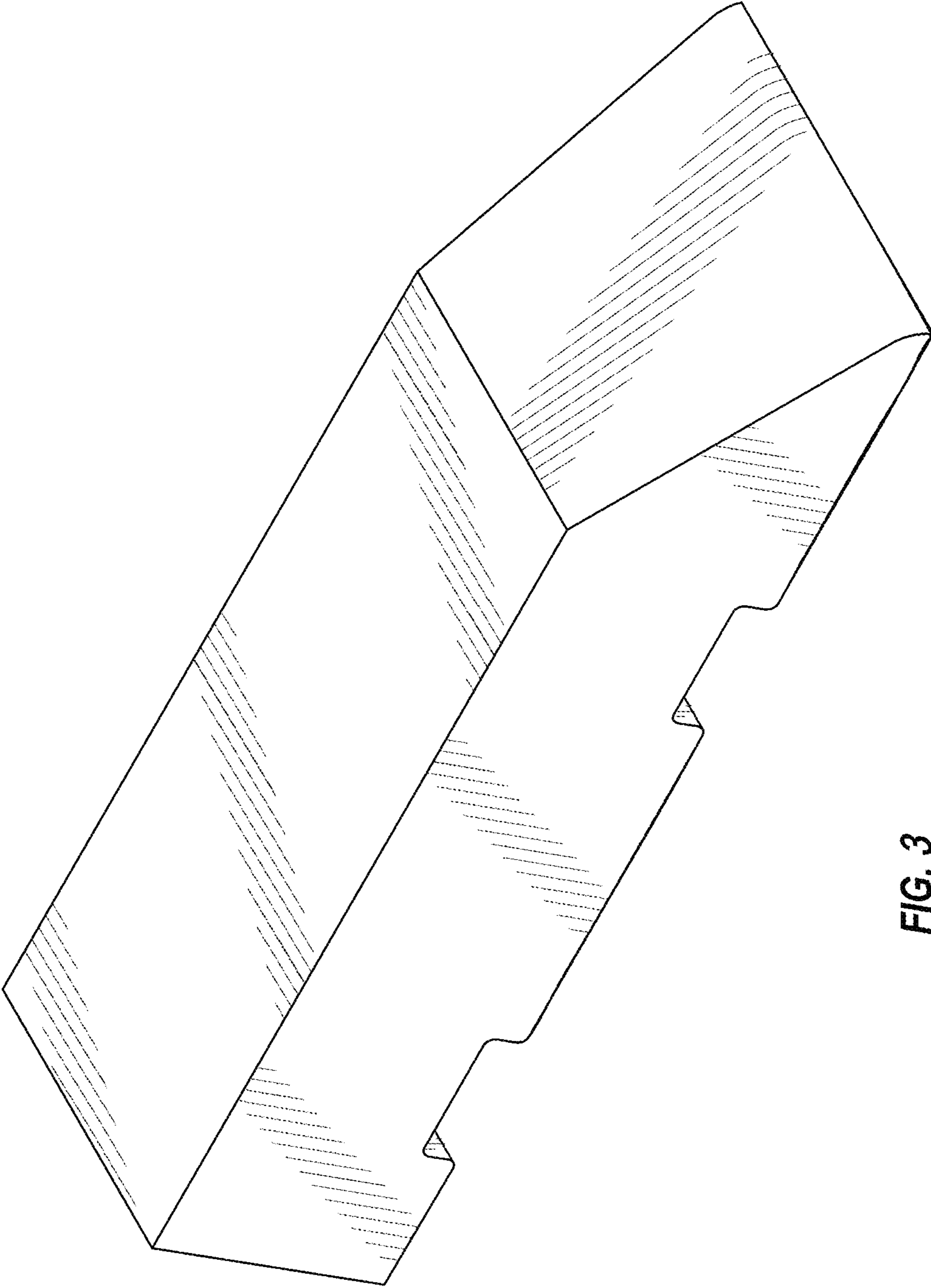


FIG. 3

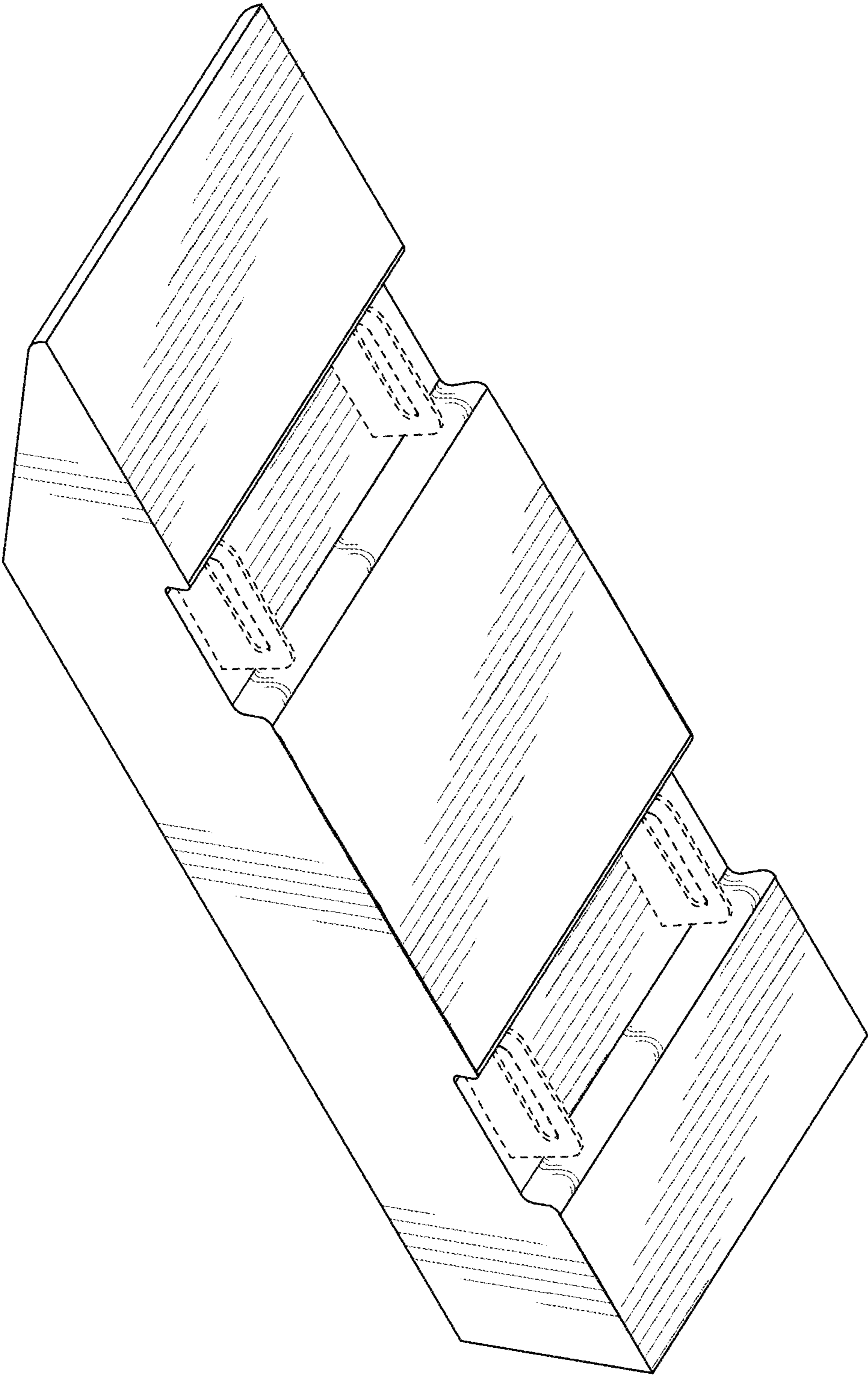


FIG. 4

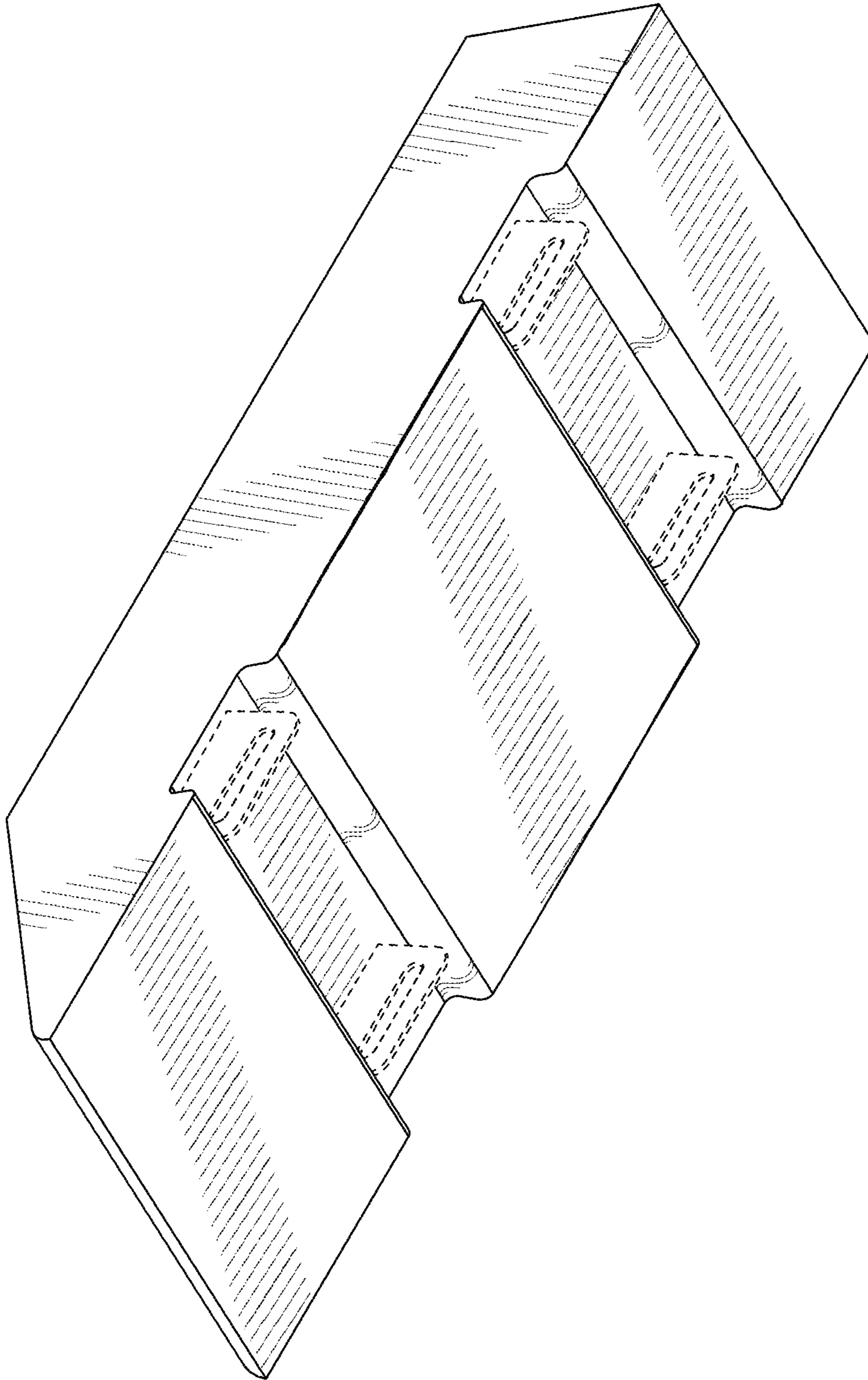


FIG. 5

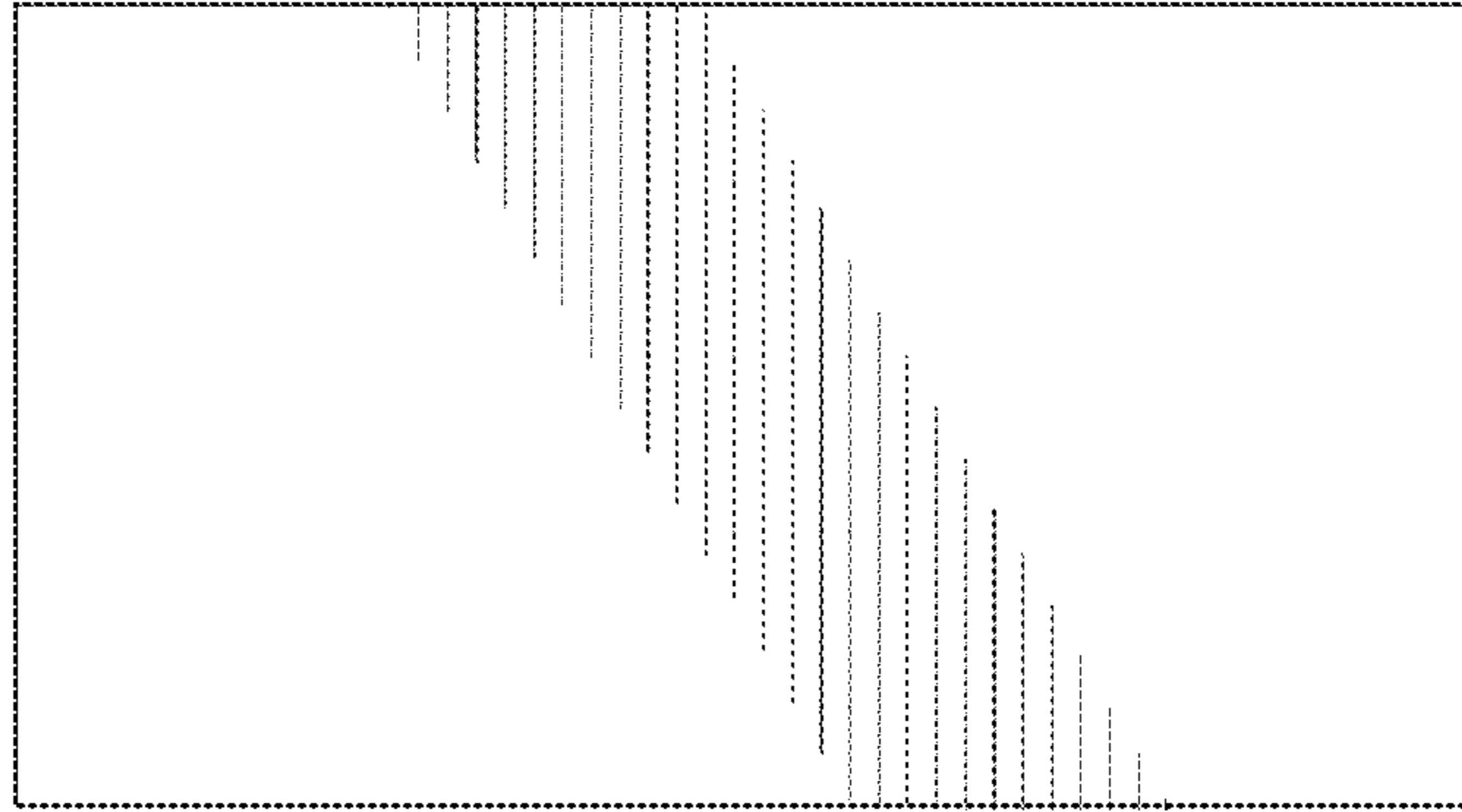


FIG. 6

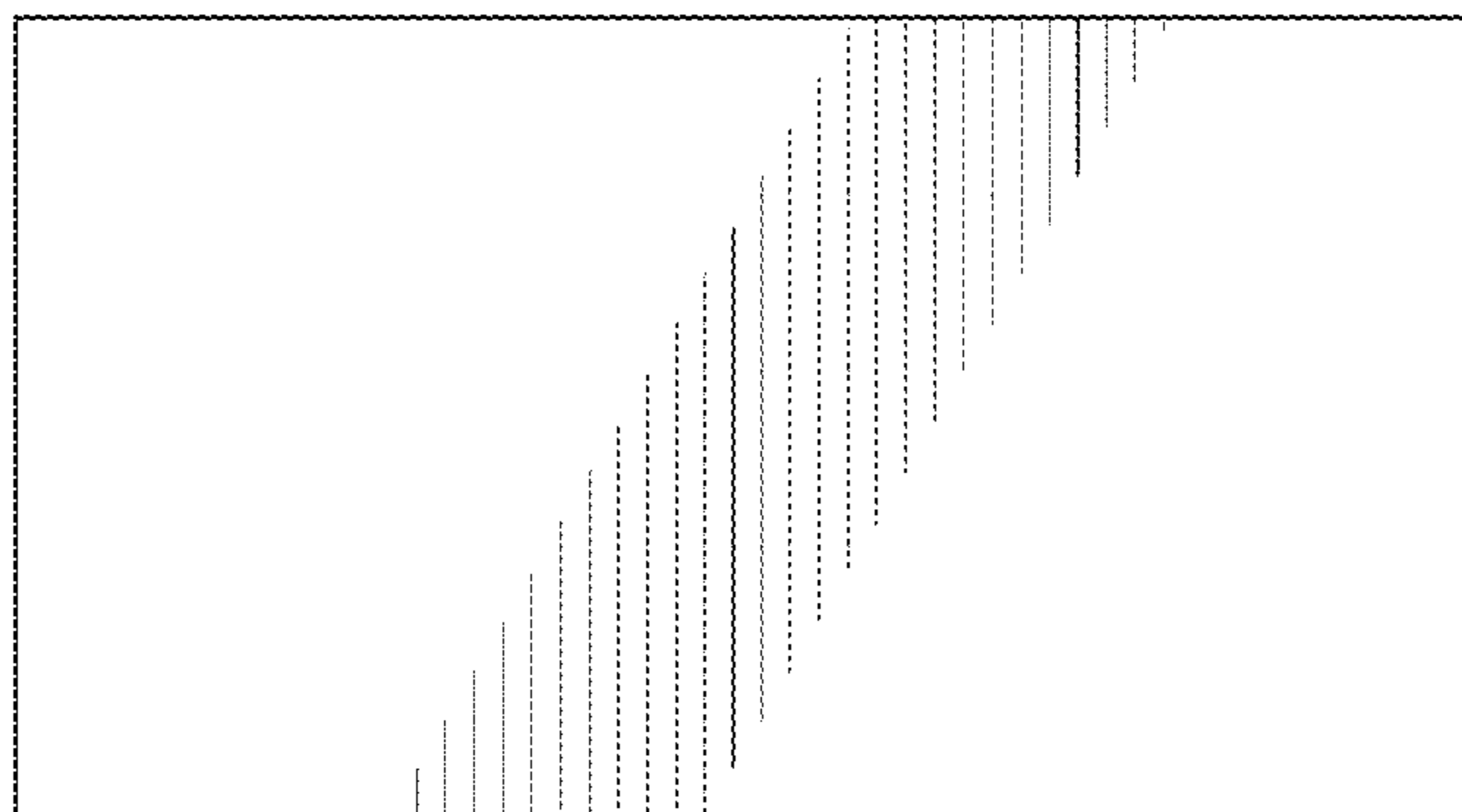


FIG. 7

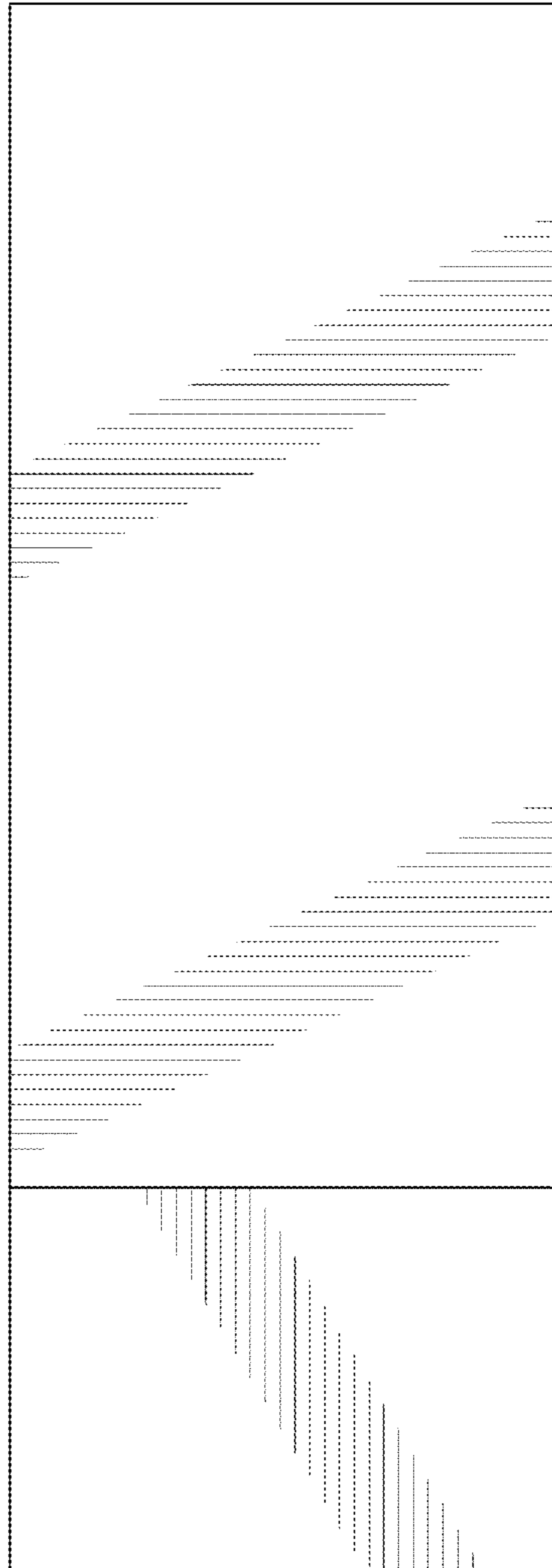


FIG. 8

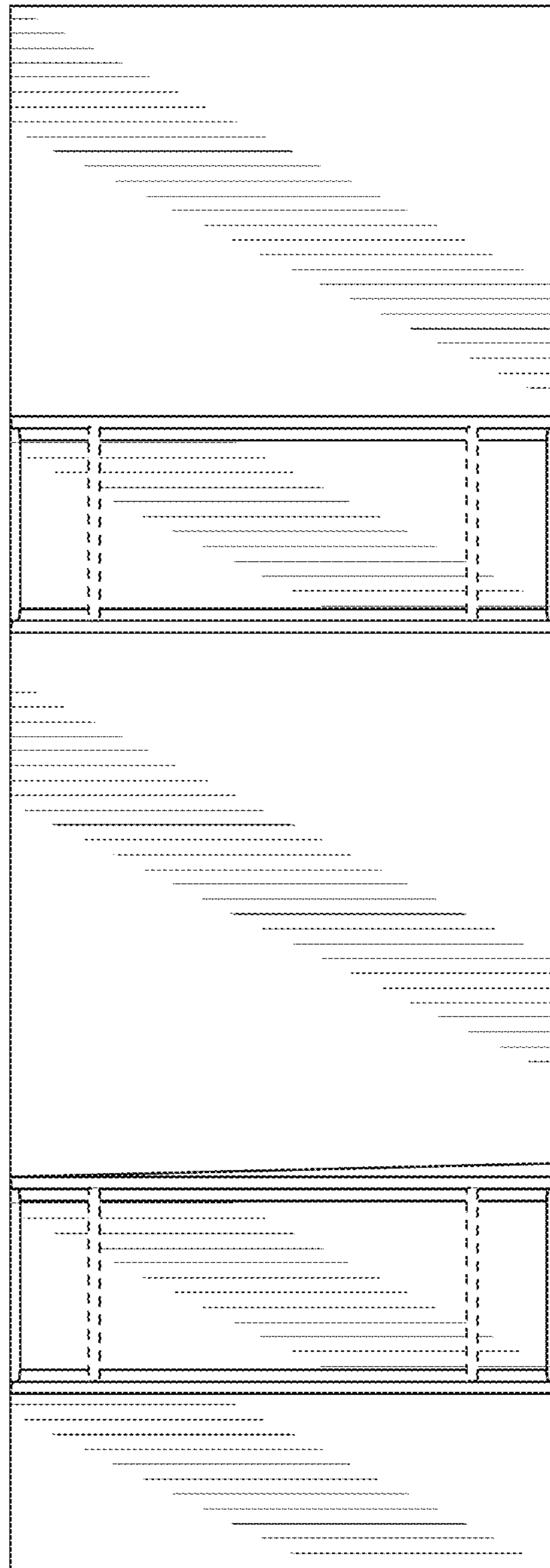


FIG. 9

FIG. 10

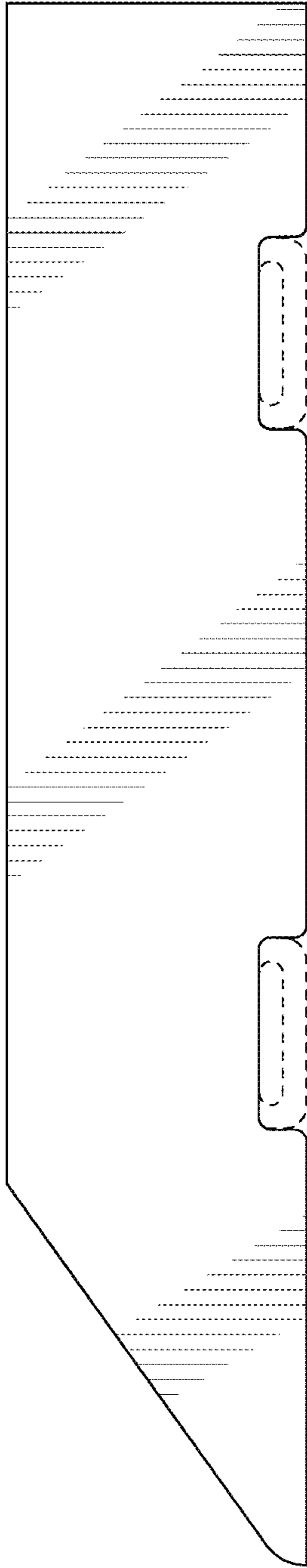
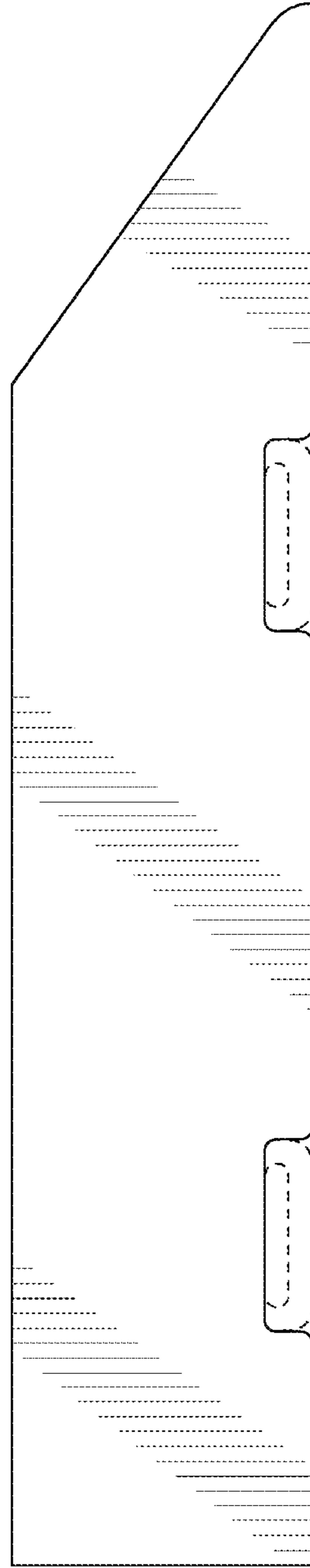


FIG. 11



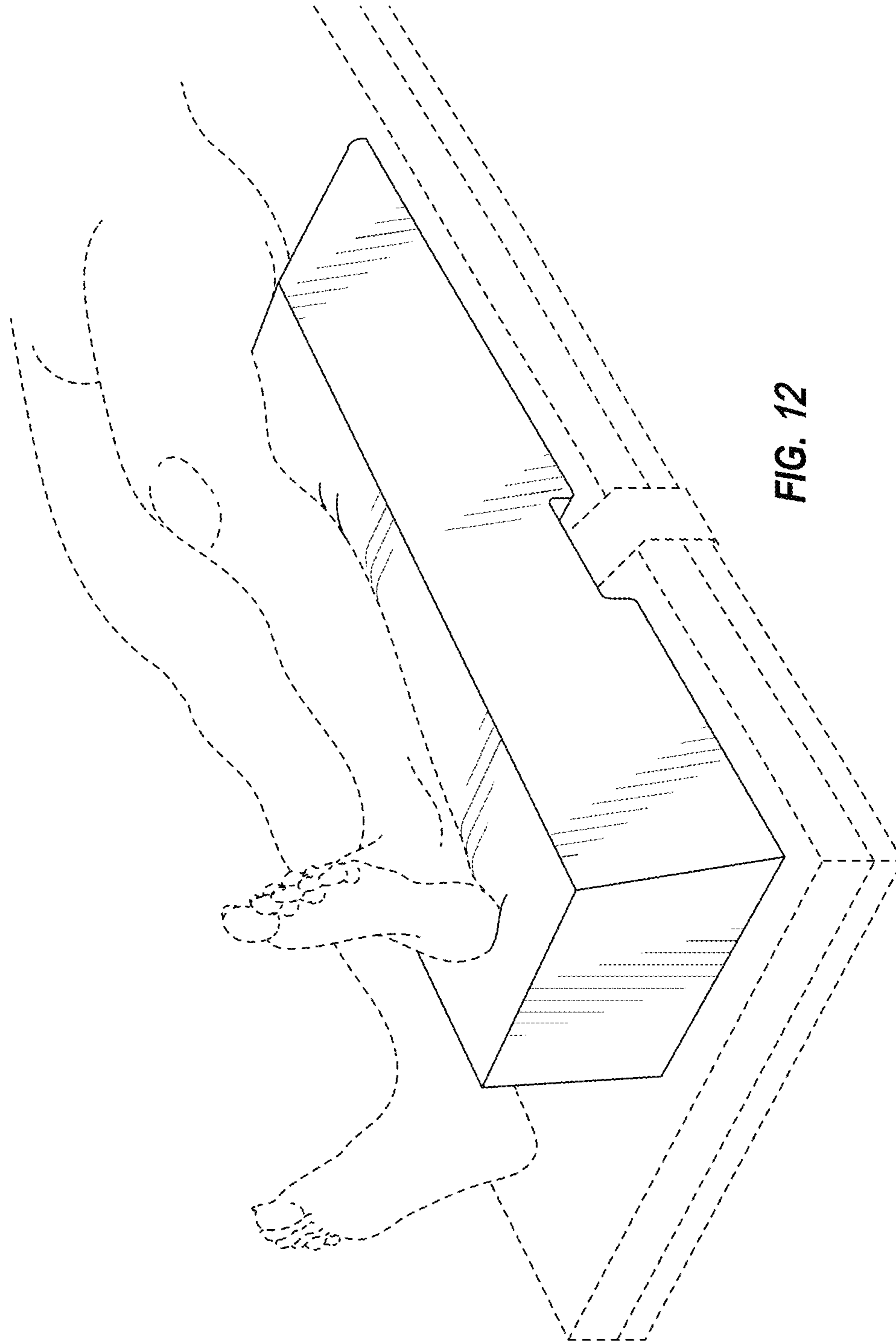


FIG. 12

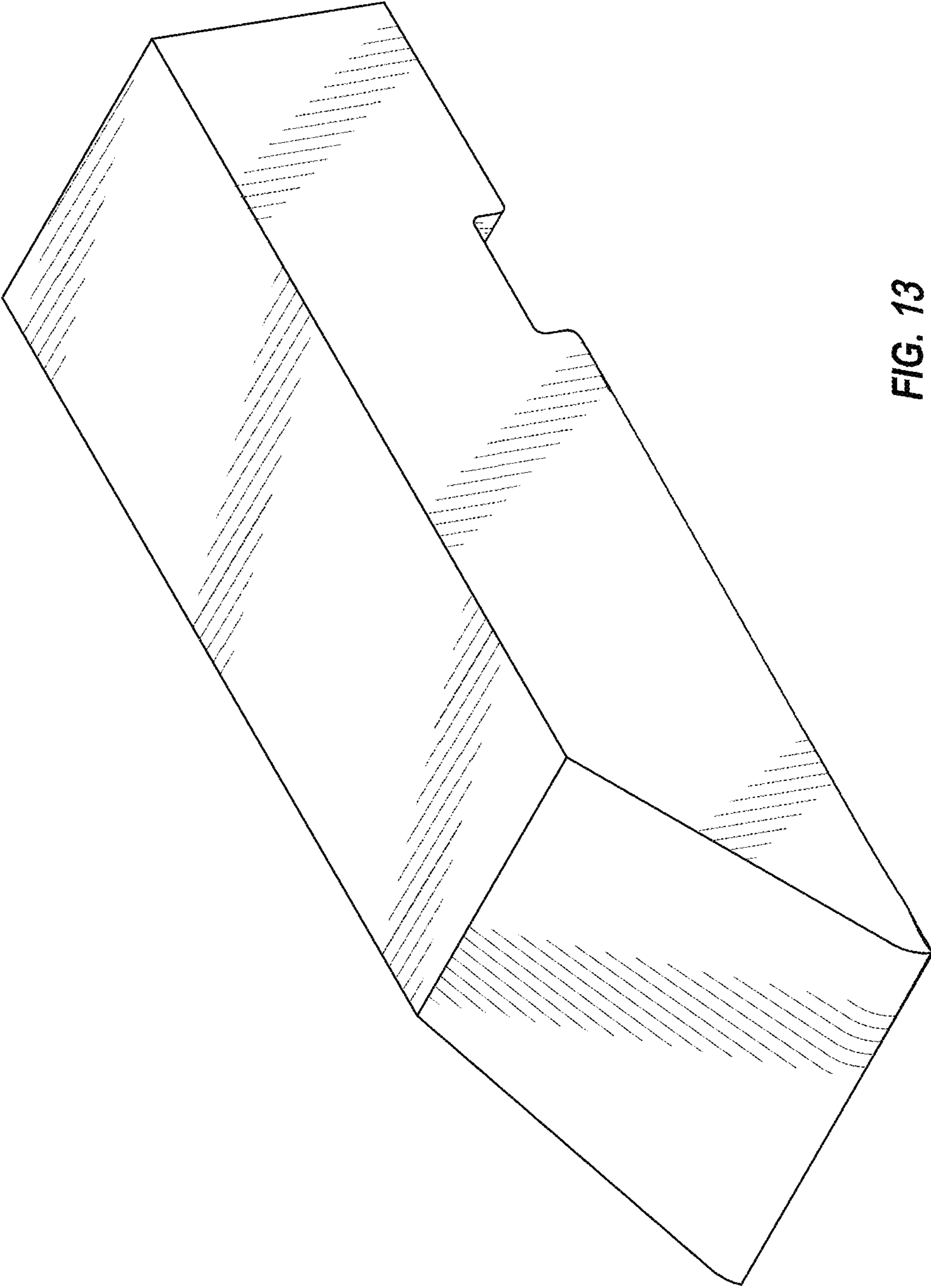


FIG. 13

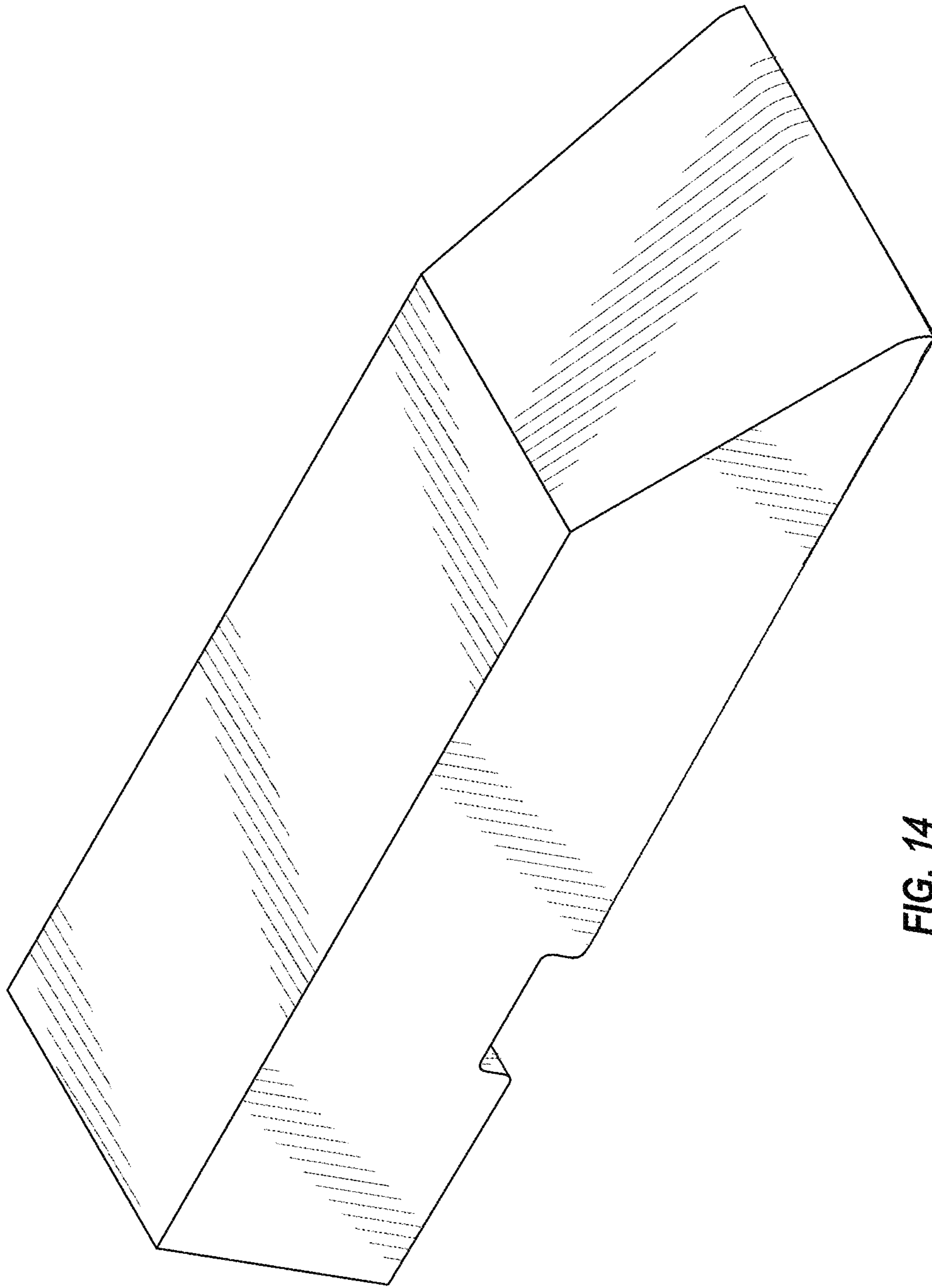


FIG. 14

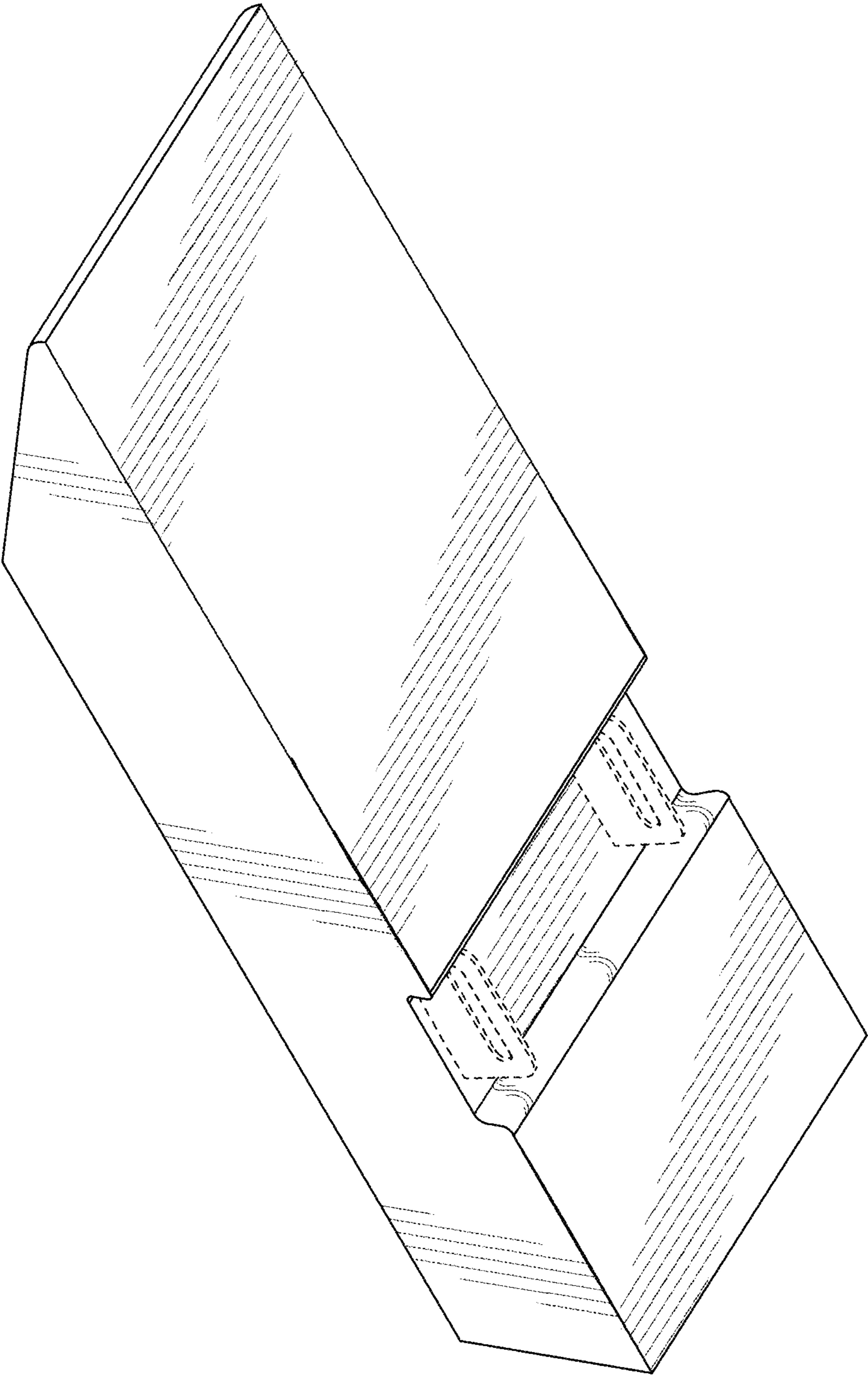


FIG. 15

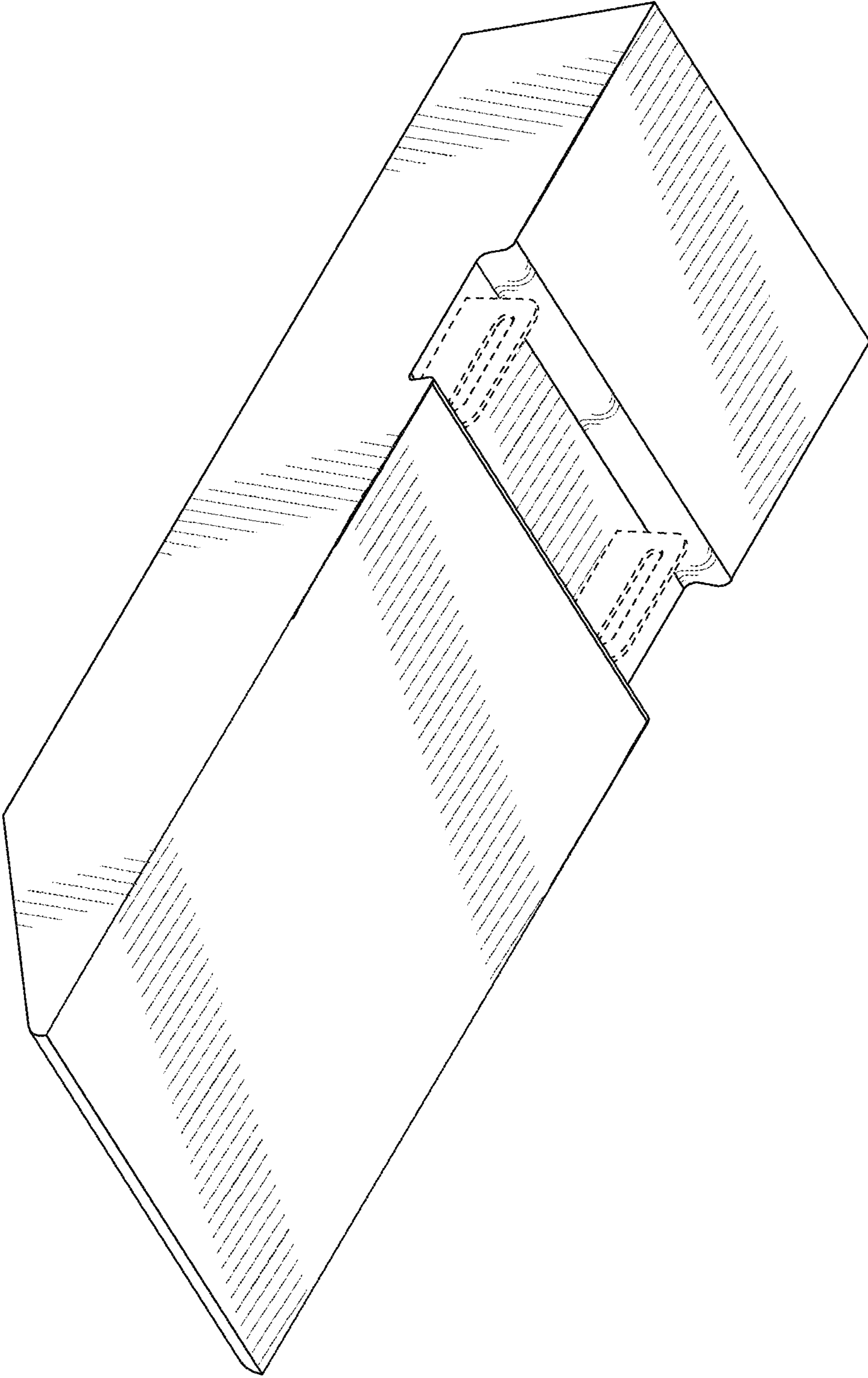


FIG. 16

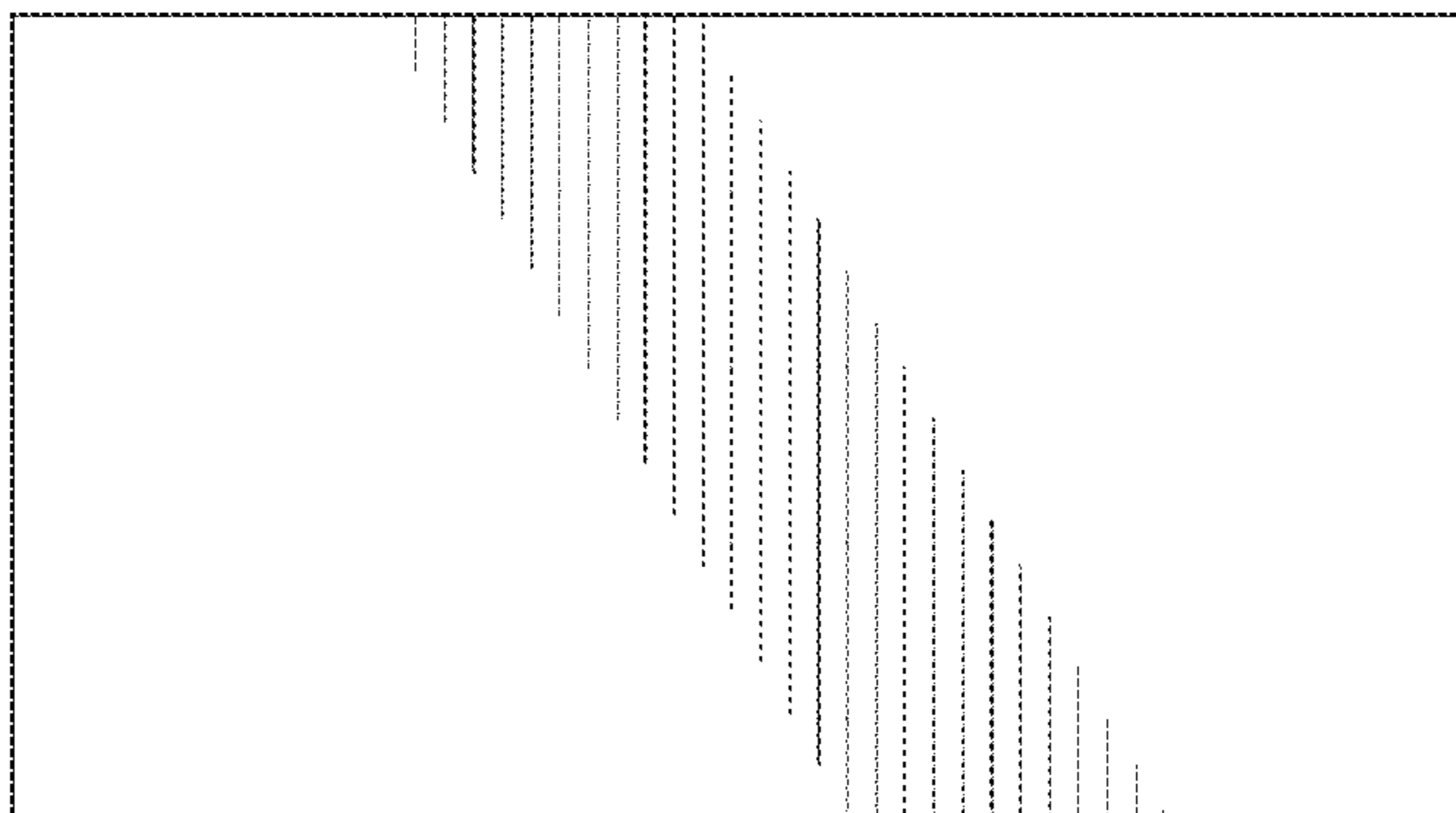


FIG. 17

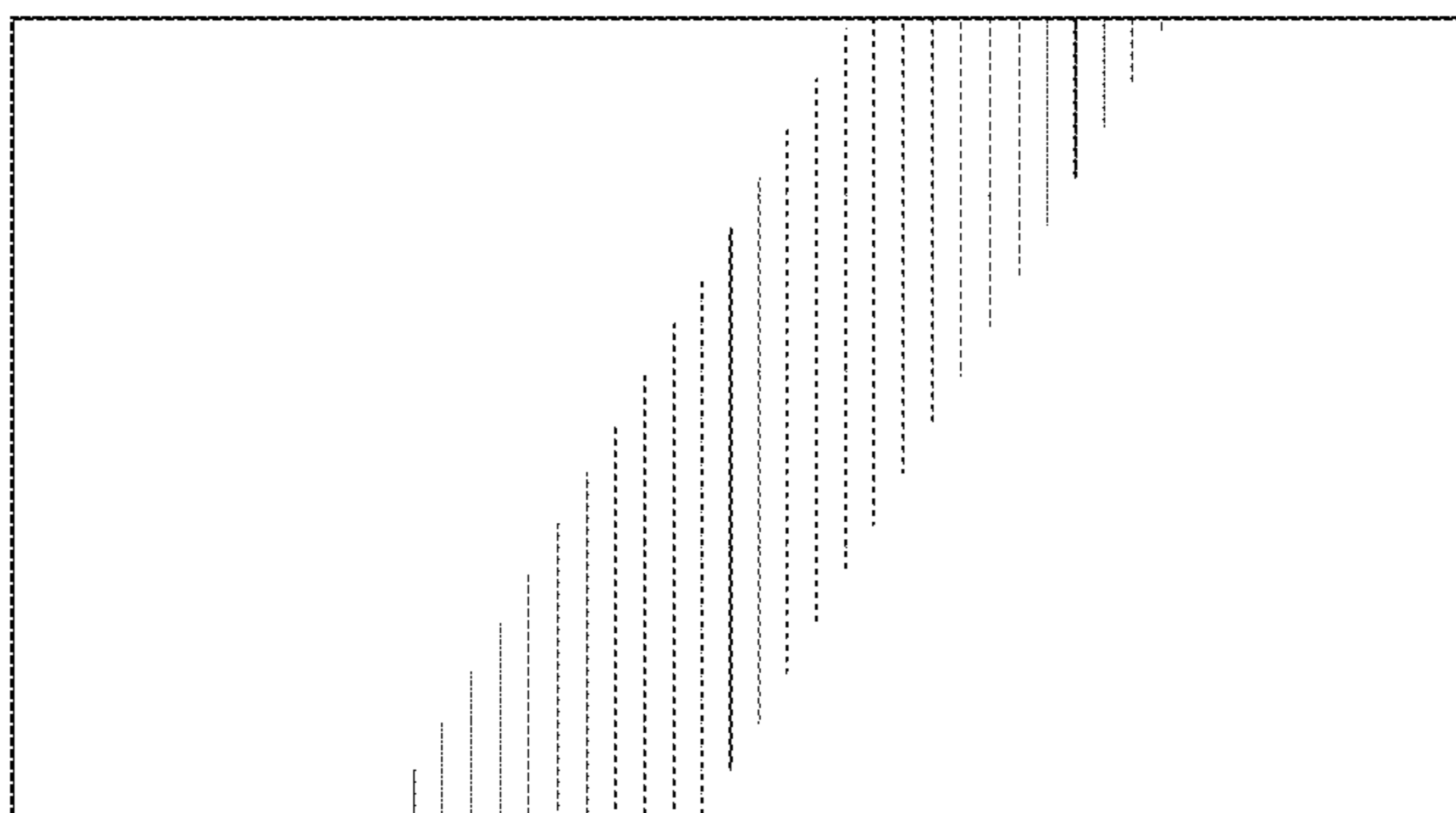


FIG. 18

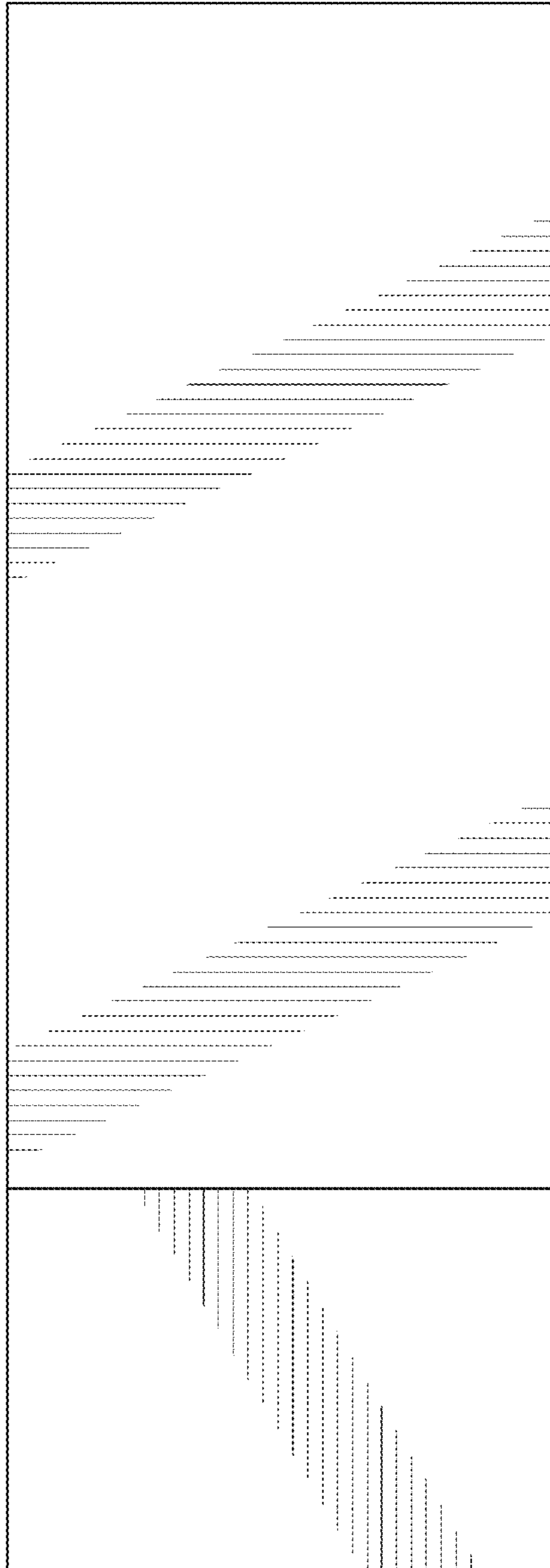


FIG. 19

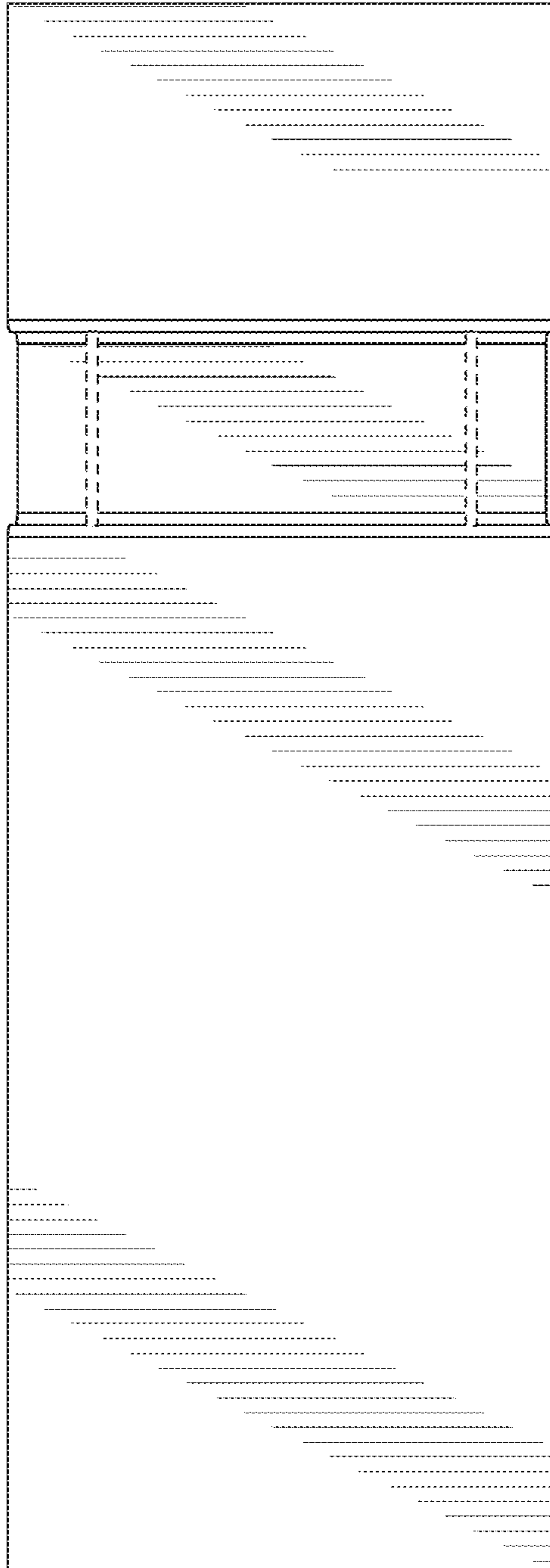


FIG. 20

FIG. 21

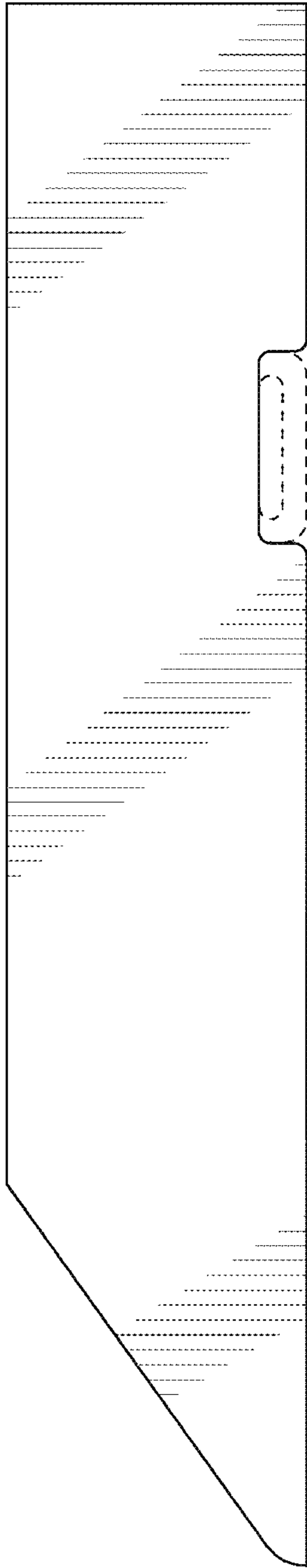


FIG. 22

