



US00D928967S

(12) **United States Design Patent** (10) **Patent No.:** **US D928,967 S**  
**Cambridge et al.** (45) **Date of Patent:** **\*\* Aug. 24, 2021**

- (54) **COT FASTENER**
- (71) Applicant: **Ferno-Washington, Inc.**, Wilmington, OH (US)
- (72) Inventors: **Alan Cambridge**, Woolloowin (AU); **Gavin Broadley**, Marcoola (AU); **Ian Rawdon**, Maineville, OH (US); **Jeff Stone**, Lebanon, OH (US); **Chris Way**, Mason, OH (US)
- (73) Assignee: **FERNO-WASHINGTON, INC.**, Wilmington, OH (US)
- (\*\*) Term: **15 Years**
- (21) Appl. No.: **29/689,868**
- (22) Filed: **May 2, 2019**
- (51) **LOC (13) Cl.** ..... **24-02**
- (52) **U.S. Cl.**  
USPC ..... **D24/184**
- (58) **Field of Classification Search**  
USPC ..... D24/107, 113, 121, 133, 183, 184, 186, D24/190-192, 216, 225; D12/133, 162, D12/223, 406  
CPC . A61G 1/04; A61G 1/06; A61G 1/048; A61G 1/013; A61G 1/0212; A61G 1/0237; A61G 3/001; A61G 3/003; A61G 3/02; A61G 3/0236; A61G 3/0245; B60N 2/0742; B60N 2/0745; B60N 2/12  
See application file for complete search history.

D555,250	S	*	11/2007	Wells	.....	D24/184
D780,929	S	*	3/2017	Nurminen	.....	D24/184
D794,205	S		8/2017	Naber et al.		
10,058,464	B2		8/2018	Naber et al.		
D833,623	S		11/2018	Naber et al.		
D854,165	S	*	7/2019	Wortmann	.....	D24/184
D869,655	S	*	12/2019	Shelton, IV	.....	D24/145
D869,659	S	*	12/2019	Lambarth	.....	D24/184
D872,864	S	*	1/2020	Marcil	.....	D24/184
D875,950	S	*	2/2020	Naber	.....	D24/184
2017/0252235	A1		9/2017	Valentino et al.		

**OTHER PUBLICATIONS**

Universal Cot Fastener. Online, published date 2018. Retrieved on Jul. 21, 2020 from URL: <https://fernoems.com/ferno/media/US/marketing/sales-sheet-profl-v2.pdf?ext=.pdf>.\*

Stryker EMS Performance-LOAD In-Service. Online, published date Nov. 3, 2016. Retrieved on Jul. 21, 2020 from URL: <https://www.youtube.com/watch?v=AxBF1hFYcZ8>.\*

\* cited by examiner

*Primary Examiner* — Janice Hallmark  
*Assistant Examiner* — Omeed Agilee  
 (74) *Attorney, Agent, or Firm* — Dinsmore & Shohl, LLP

(57) **CLAIM**

The ornamental design for a cot fastener, as shown and described.

**DESCRIPTION**

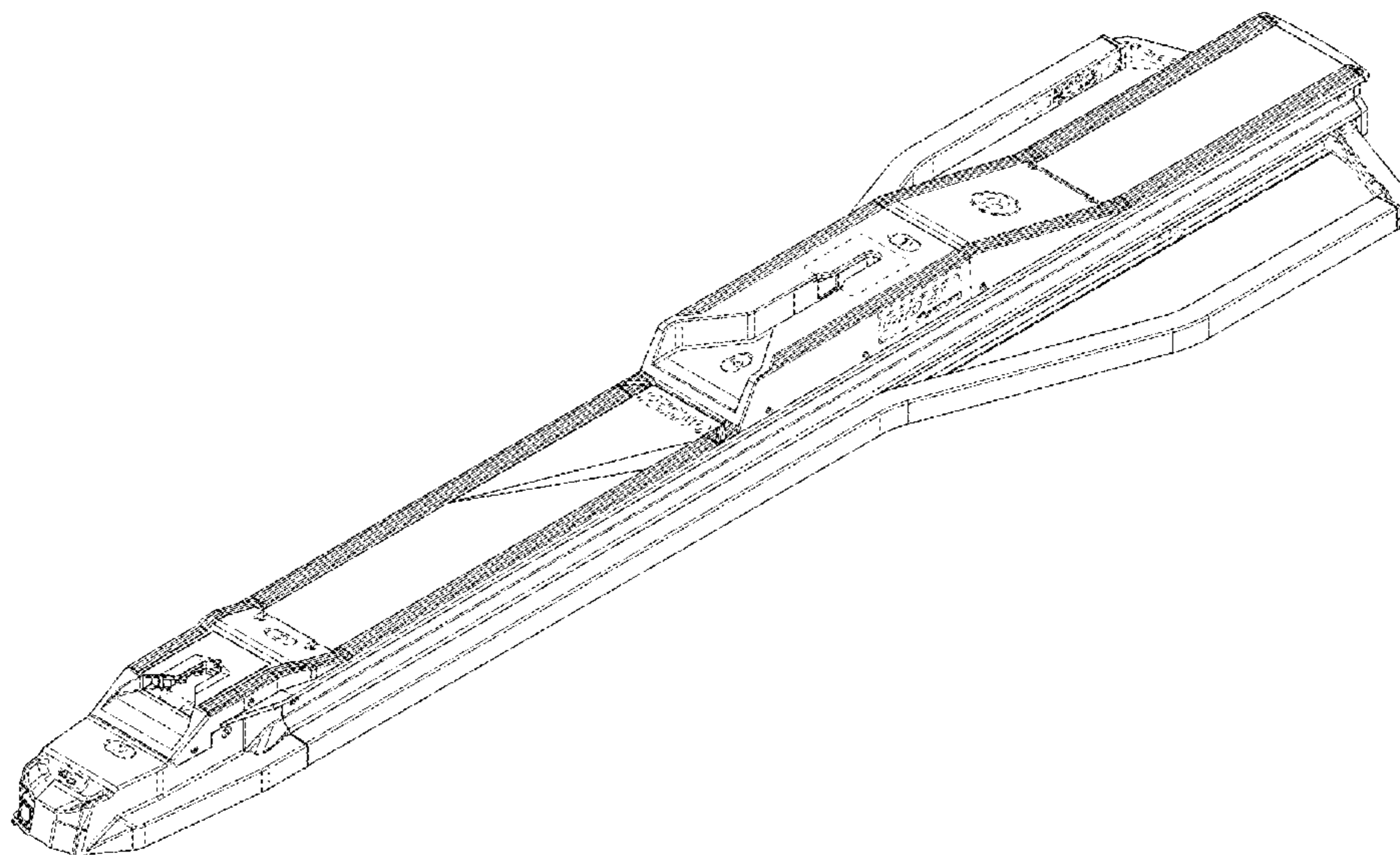
FIG. 1 is a perspective view of a cot fastener; FIG. 2 is a front elevation view thereof; FIG. 3 is a left side elevation view thereof; FIG. 4 is a rear elevation view thereof; FIG. 5 is a right side elevation view thereof; FIG. 6 is a top plan view thereof; and, FIG. 7 is a bottom plan view thereof. The broken lines depict portions of the cot fastener that form no part of the claimed design.

**1 Claim, 4 Drawing Sheets**

(56) **References Cited**

**U.S. PATENT DOCUMENTS**

2,076,866	A	*	4/1937	Runkle	.....	A61G 3/0891 296/19
2,558,056	A	*	6/1951	Mitchell	.....	A61G 3/0891 296/19
D480,808	S	*	10/2003	Wells	.....	D24/145
D517,789	S		3/2006	Seamans		



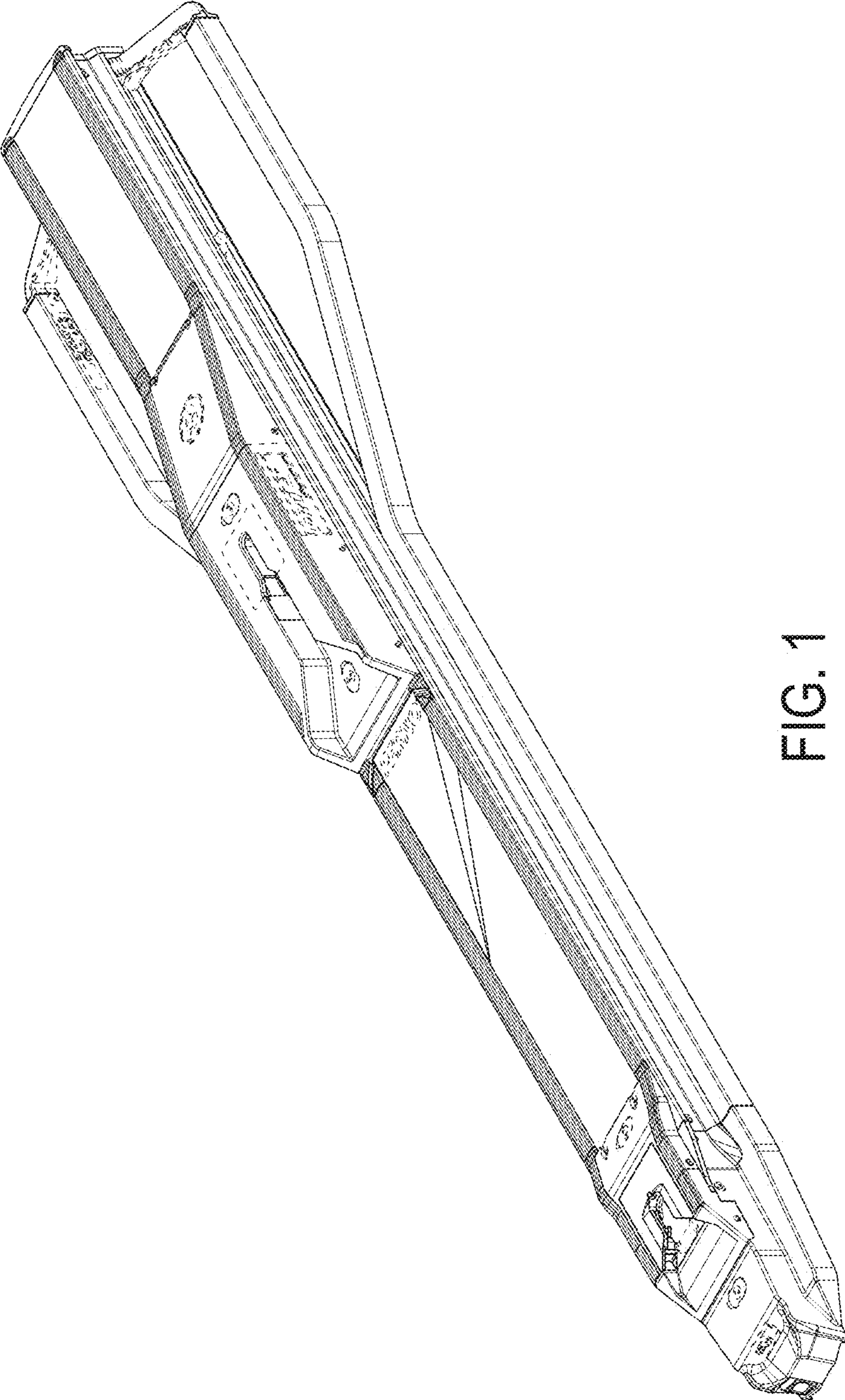


FIG. 1

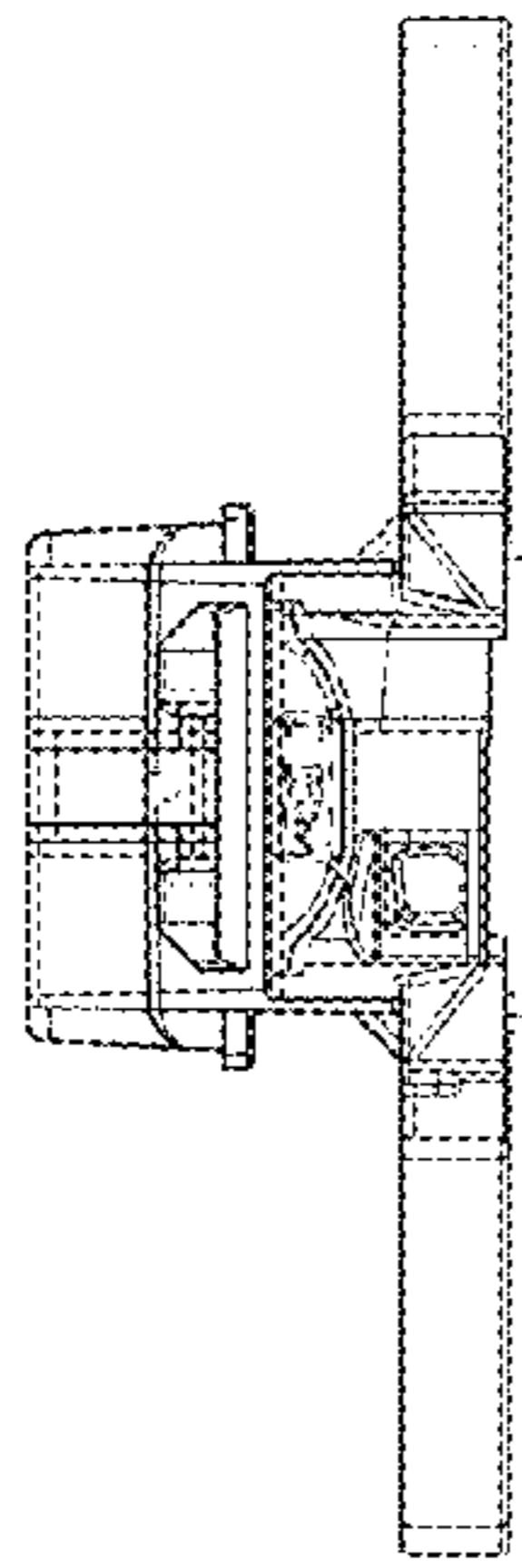


FIG. 2

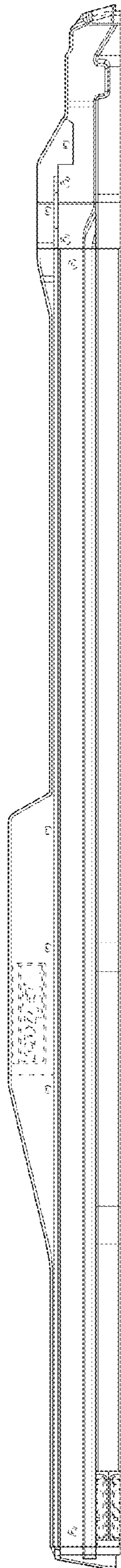


FIG. 3



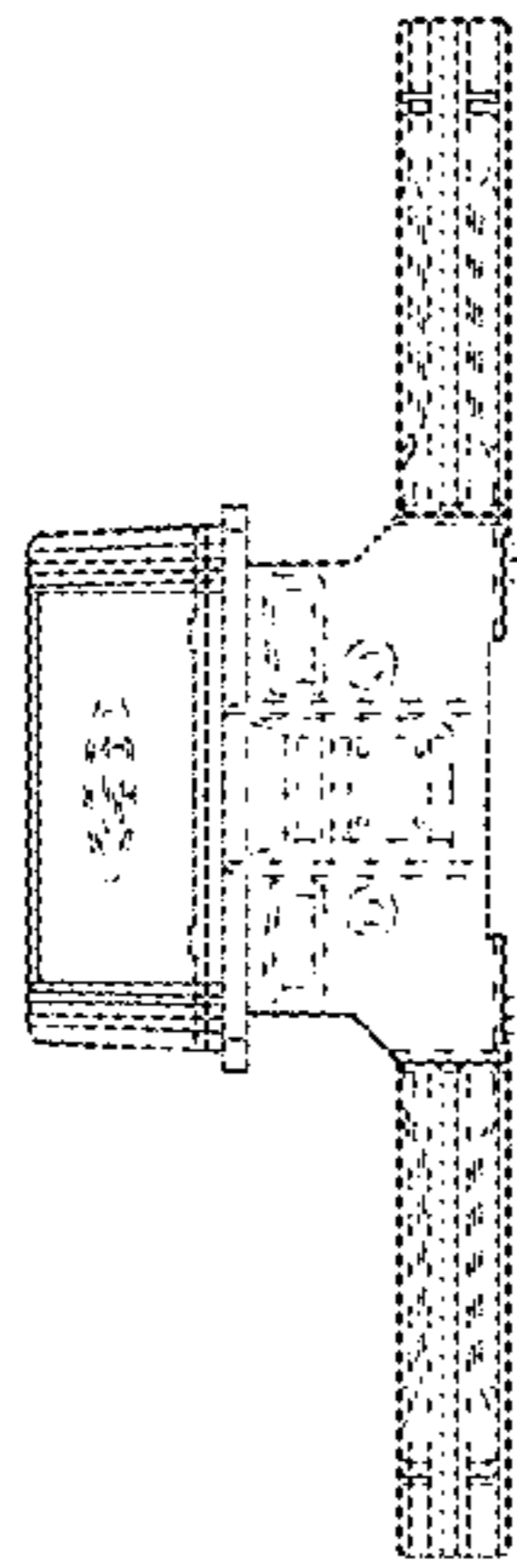


FIG. 4

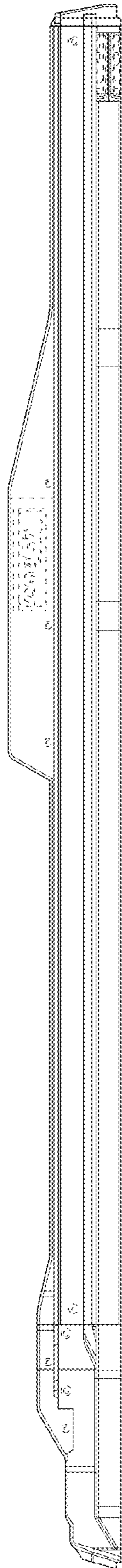


FIG. 5

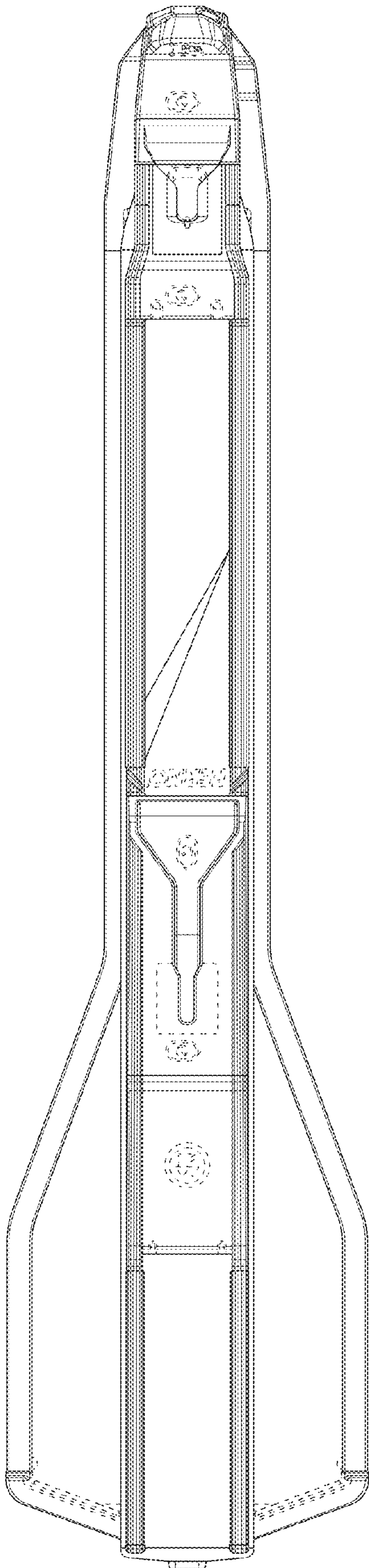


FIG. 6

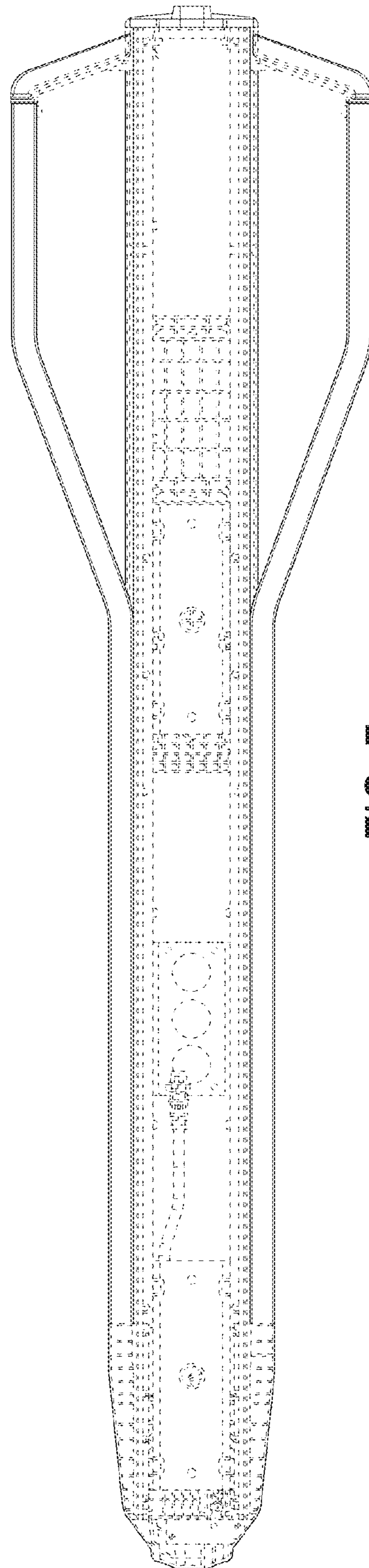


FIG. 7