



US00D928965S

(12) **United States Design Patent**
Gydesen et al.

(10) **Patent No.:** **US D928,965 S**

(45) **Date of Patent:** **** Aug. 24, 2021**

(54) **DENTAL COMPOSITION UNIT DOSE APPLICATOR**

(71) Applicant: **3M INNOVATIVE PROPERTIES COMPANY**, St. Paul, MN (US)

(72) Inventors: **Henry C. Gydesen**, Oakdale, MN (US); **Marc Peuker**, Schoendorf (DE); **Mathias Bertl**, Wildsteig (DE)

(73) Assignee: **3M Innovative Properties Company**, St. Paul, MN (US)

(**) Term: **15 Years**

(21) Appl. No.: **29/744,074**

(22) Filed: **Jul. 27, 2020**

Related U.S. Application Data

(62) Division of application No. 29/644,868, filed on Apr. 20, 2018, now Pat. No. Des. 895,121.

(51) **LOC (13) Cl.** **24-02**

(52) **U.S. Cl.**
USPC **D24/176**

(58) **Field of Classification Search**
USPC D24/176-177, 112-114, 221-222
CPC A61C 5/62; A61C 5/66; A61C 5/68; A61C 9/0026; B05C 17/005; A23G 9/24; A23G 9/245

See application file for complete search history.

(56) **References Cited**

U.S. PATENT DOCUMENTS

- 4,391,590 A * 7/1983 Dougherty A61C 5/66 433/90
- 6,328,715 B1 * 12/2001 Dragan A23G 9/24 604/232
- 6,422,866 B2 * 7/2002 Dragan A61C 5/62 215/252
- 7,320,596 B2 * 1/2008 Metzbower A61C 5/66 433/90

(Continued)

FOREIGN PATENT DOCUMENTS

- EM 005795598-001 10/2018
- EM 005795598-002 10/2018
- EM 005795598-003 10/2018

Primary Examiner — Wan Laymon

(57) **CLAIM**

The ornamental design for a dental composition unit dose applicator, as shown and described.

DESCRIPTION

FIG. 1 is a perspective view showing a first embodiment of a new design for a dental composition unit dose applicator; FIG. 2 is a right-side view thereof, the left-side view being a mirror image thereof;

FIG. 3 is a top view thereof; FIG. 4 is a bottom view thereof; FIG. 5 is the front view thereof; and FIG. 6 is a rear view thereof.

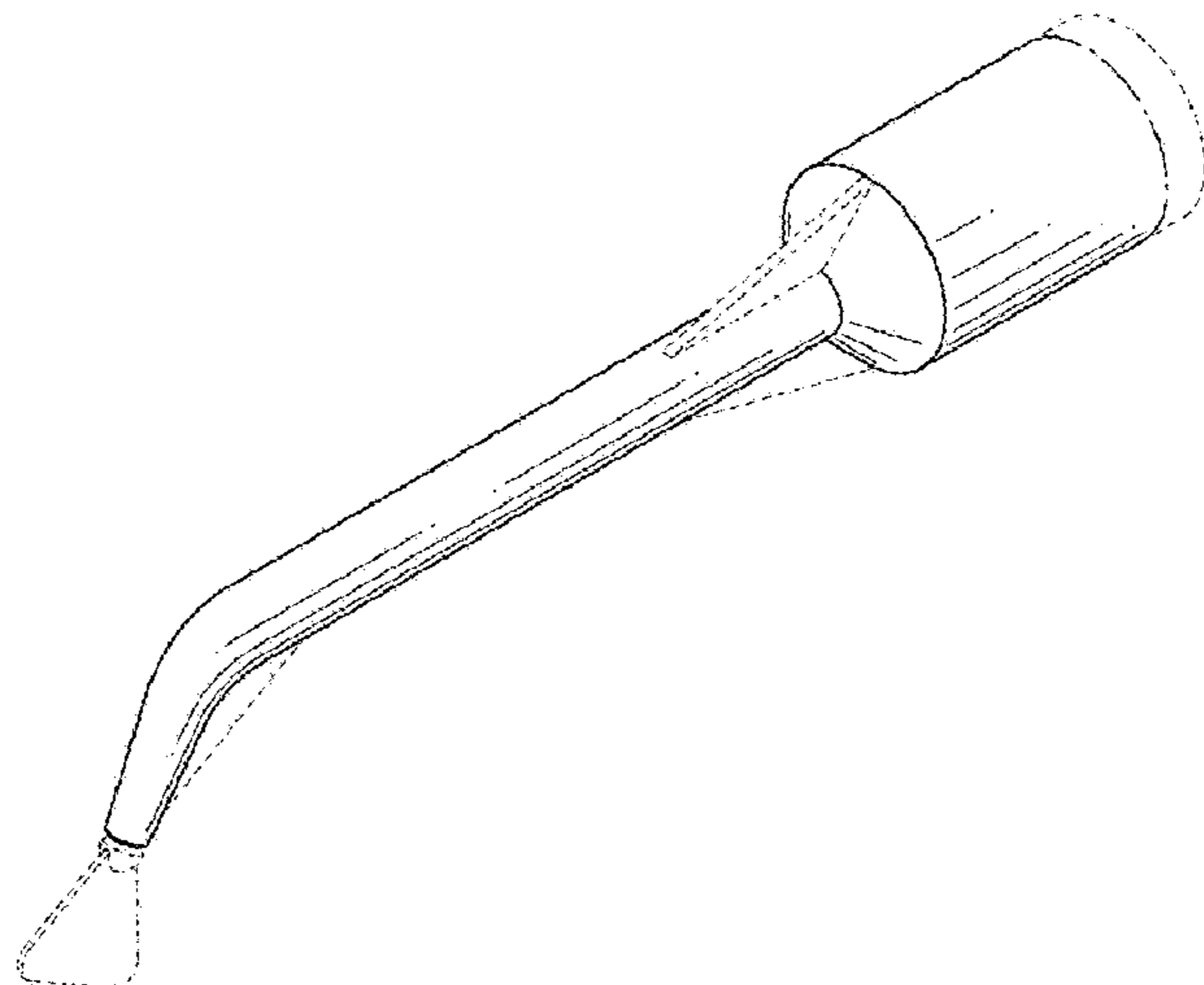
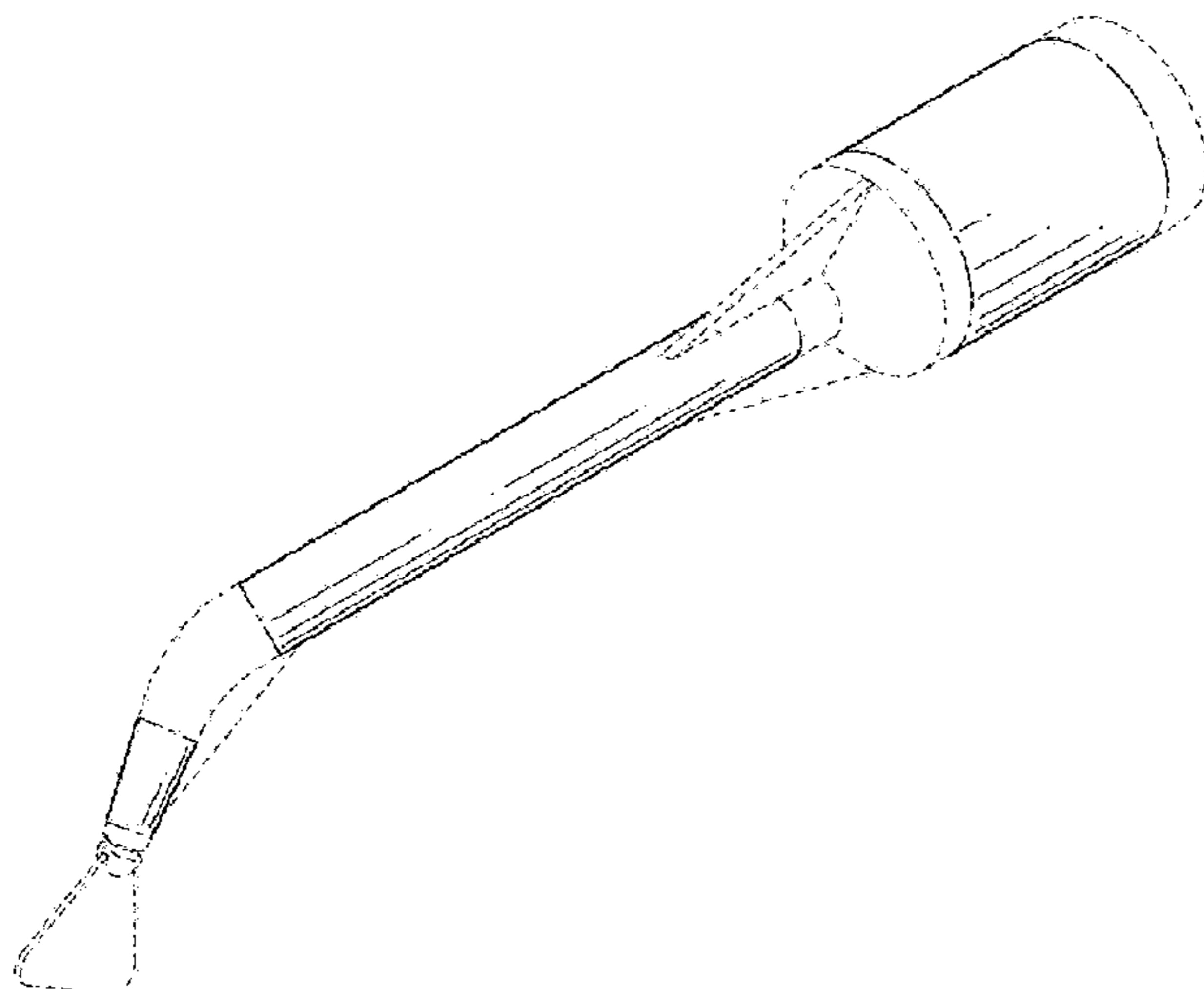
FIG. 7 is a perspective view showing a second embodiment of a new design for a dental composition unit dose applicator;

FIG. 8 is a right-side view thereof, the left-side view being a mirror image thereof;

FIG. 9 is a top view thereof; FIG. 10 is a bottom view thereof; FIG. 11 is the front view thereof; and, FIG. 12 is a rear view thereof.

The dash-dot-dash broken lines adjacent the shaded areas represent the bounds of the claim. All other broken lines shown in the drawings are included for the purpose of illustrating portions of the dental composition unit dose applicator. None of the broken lines forms part of the claimed design.

1 Claim, 4 Drawing Sheets



(56)

References Cited

U.S. PATENT DOCUMENTS

D620,118 S * 7/2010 Cheetham D24/176
D657,877 S * 4/2012 Pauser D24/176
8,616,879 B2 * 12/2013 Dubey A61C 5/62
433/80
9,351,806 B2 * 5/2016 Pauser A61C 5/62
D800,316 S * 10/2017 Evers D24/176
9,956,057 B2 * 5/2018 Essler A61C 5/62
2018/0256293 A1 * 9/2018 Clark A61C 5/62
2020/0307863 A1 * 10/2020 Gydesen B05C 17/00516
2021/0113301 A1 * 4/2021 Pauser A61C 5/62

* cited by examiner

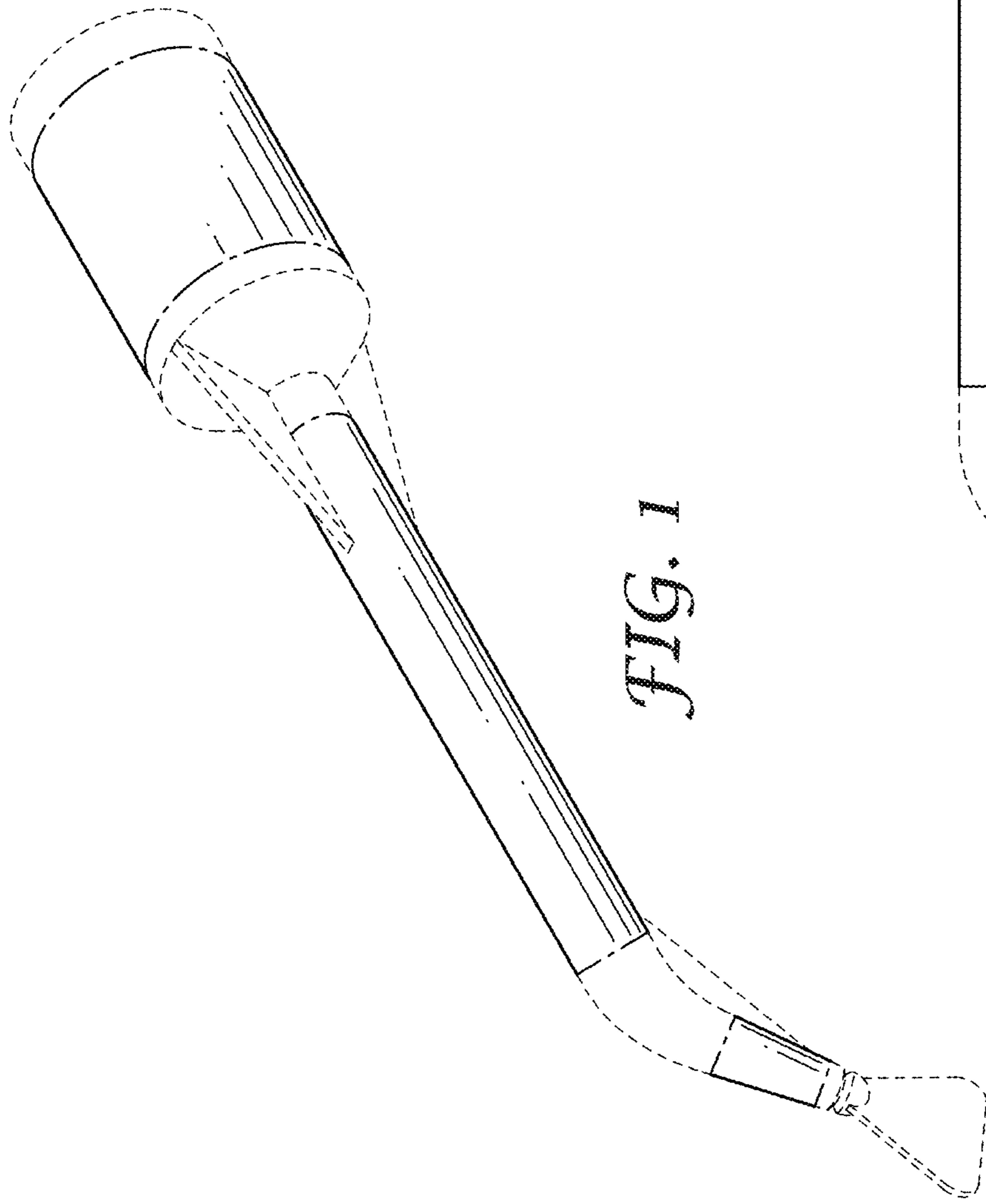


FIG. 1

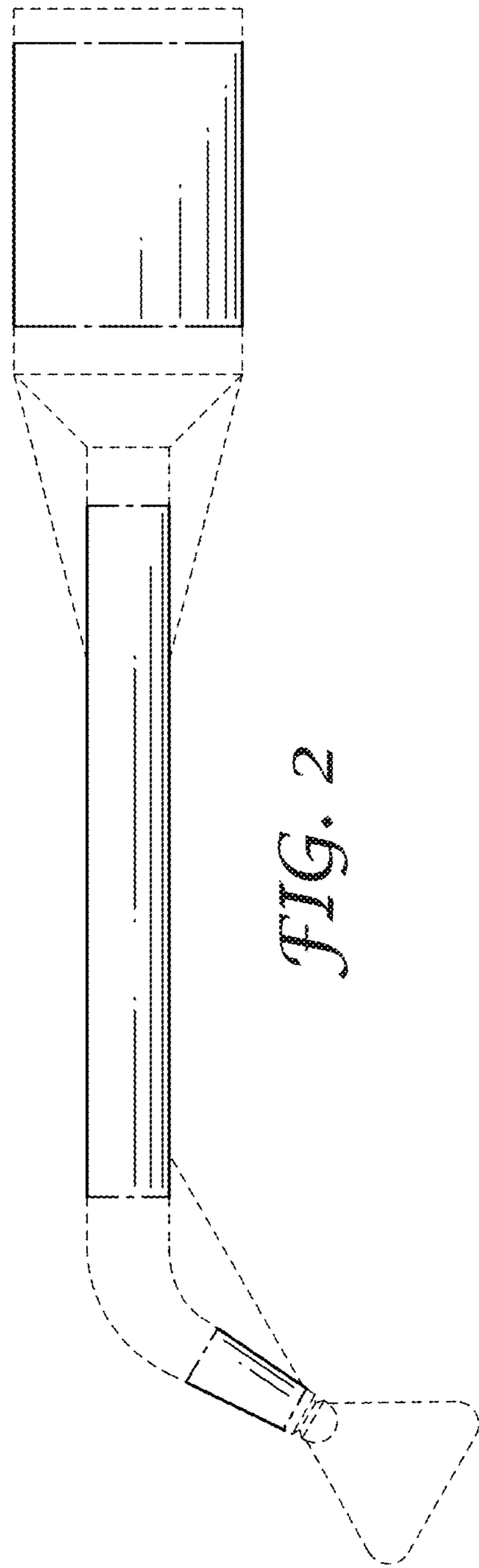


FIG. 2

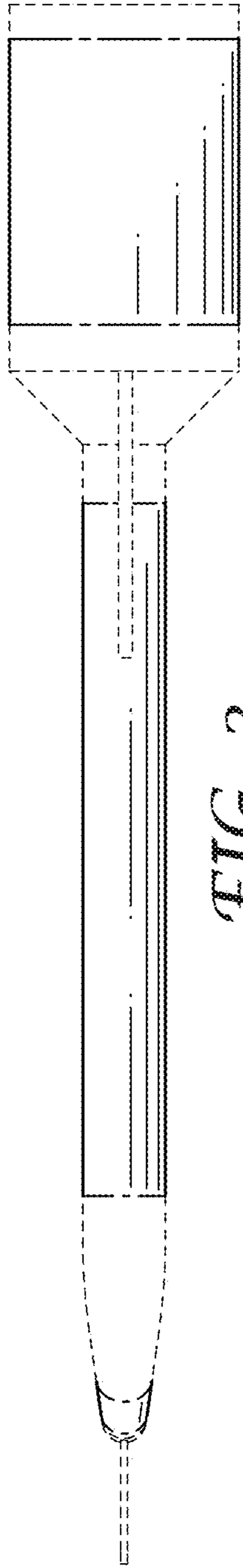


FIG. 3

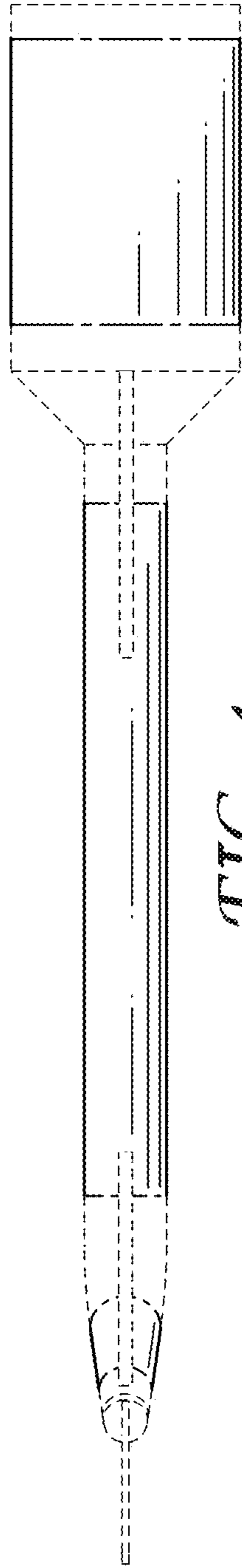


FIG. 4

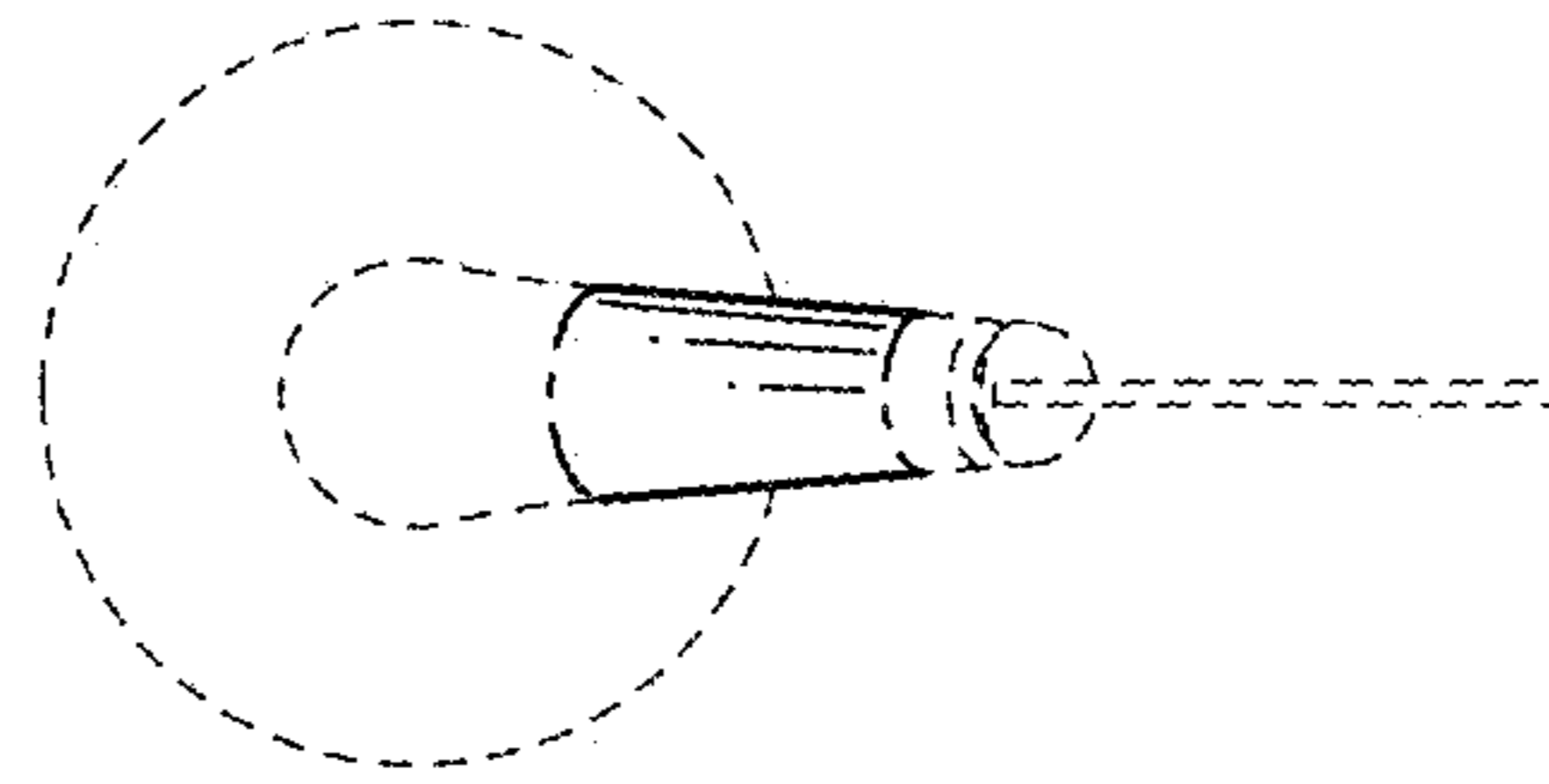


FIG. 5

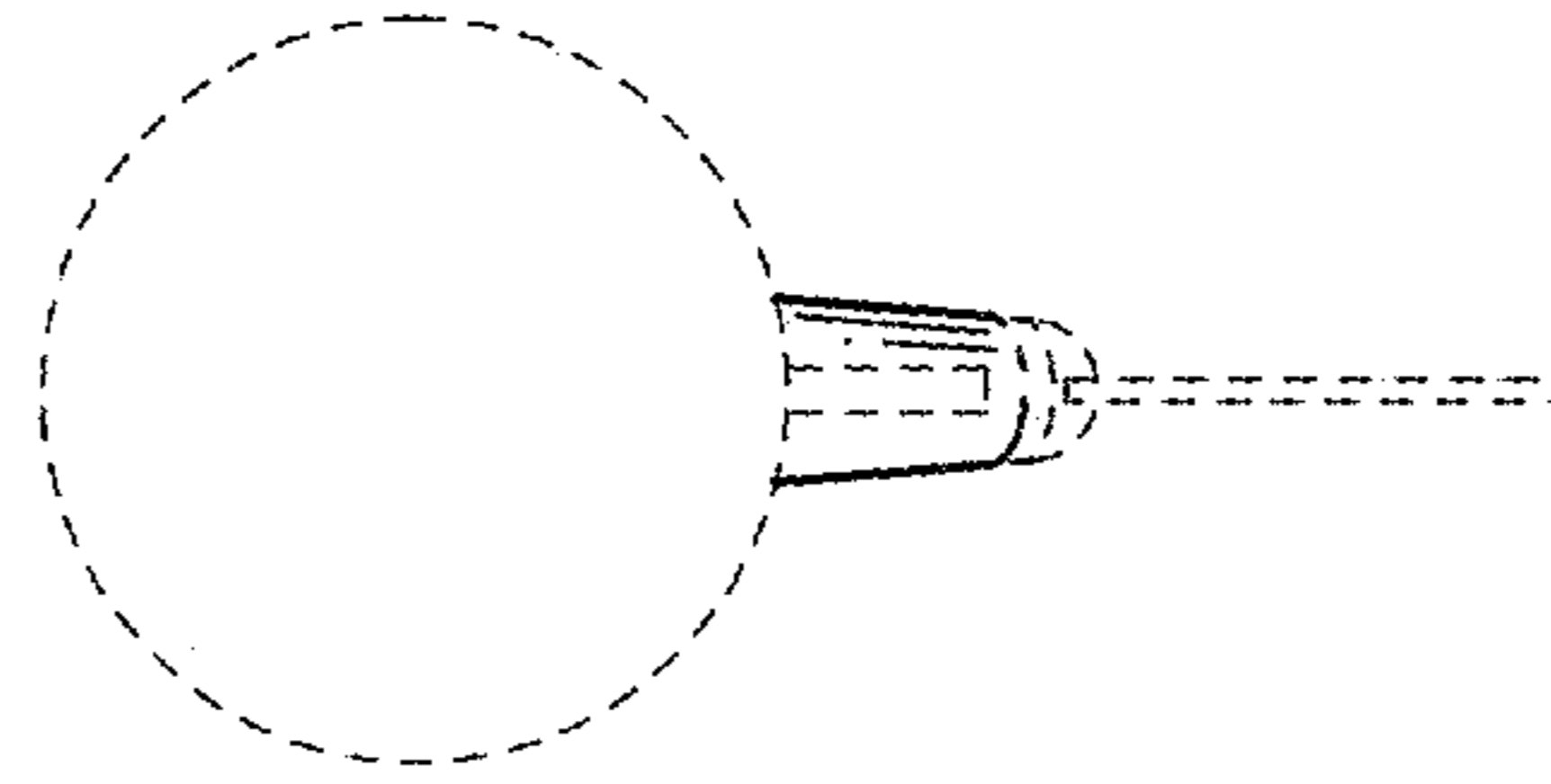


FIG. 6

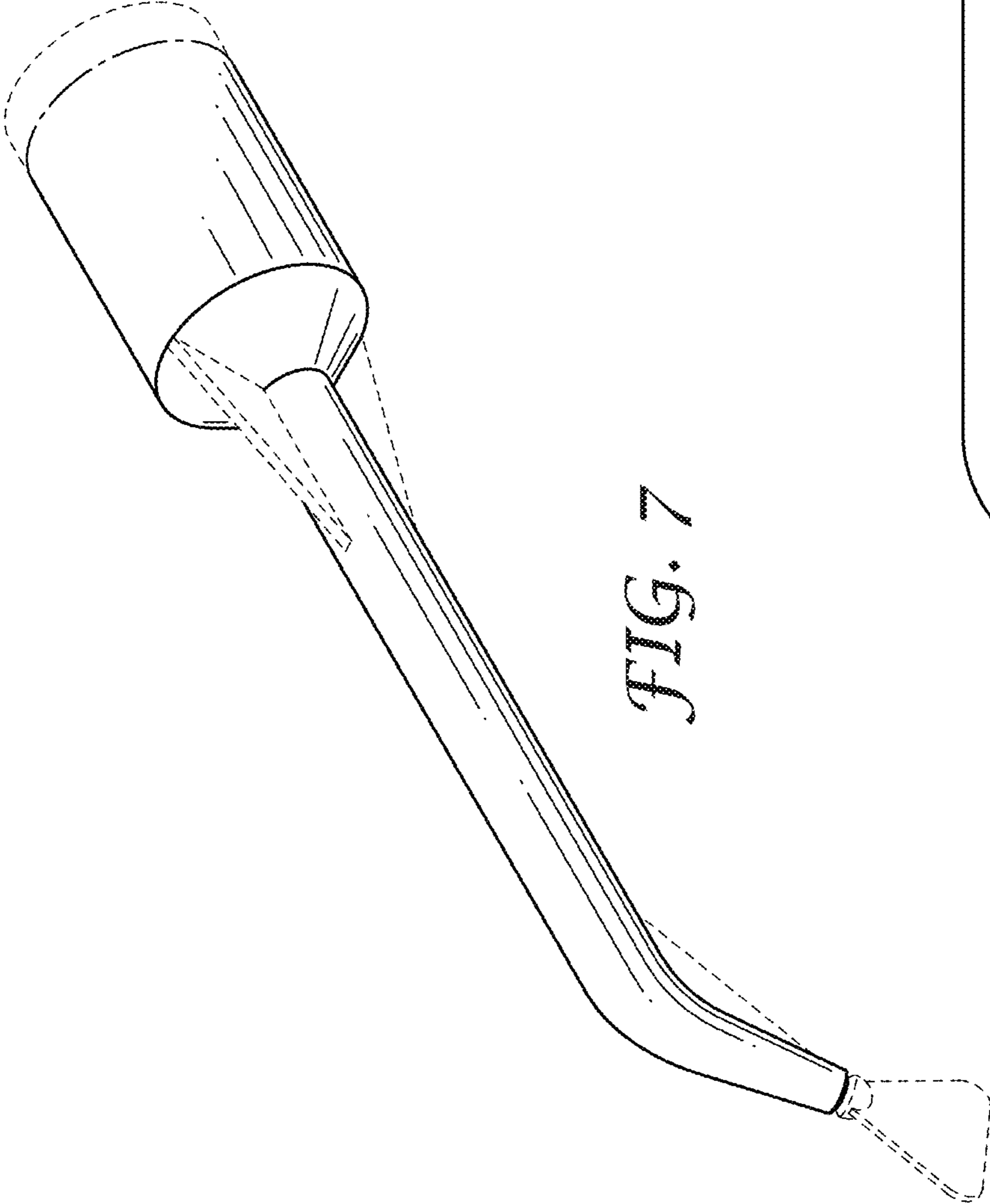


FIG. 7

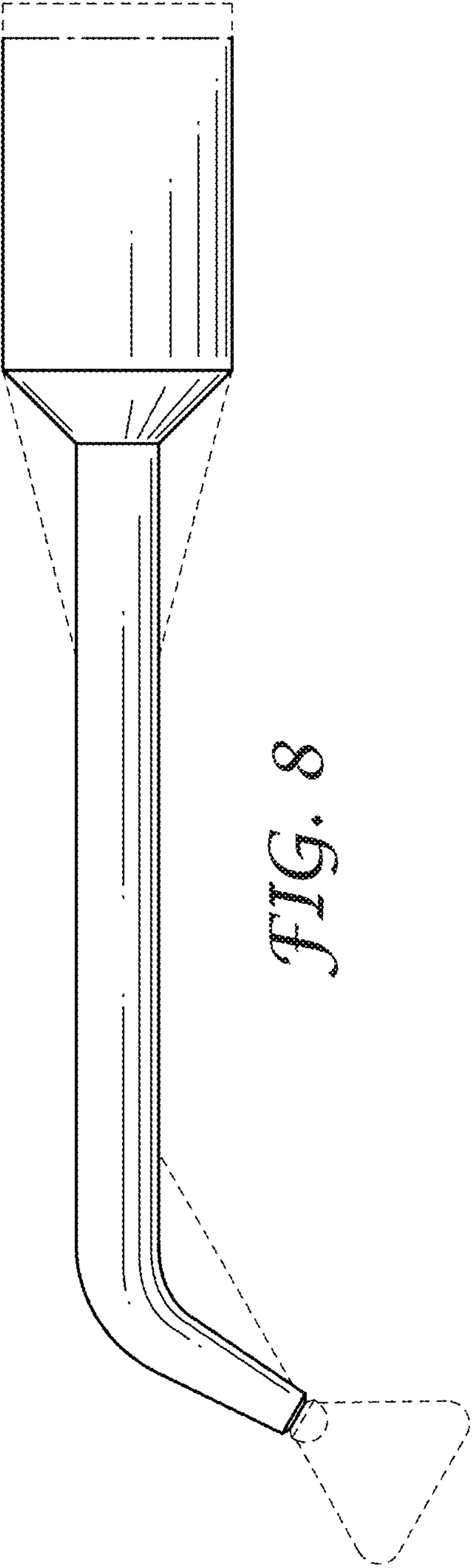


FIG. 8

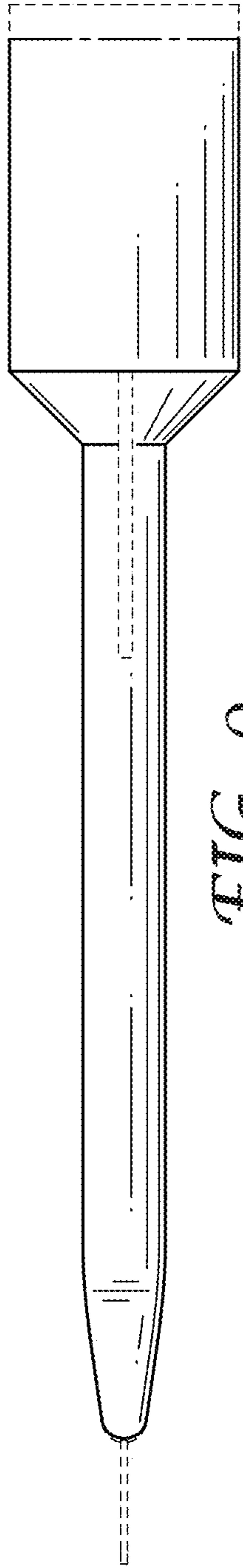


FIG. 9

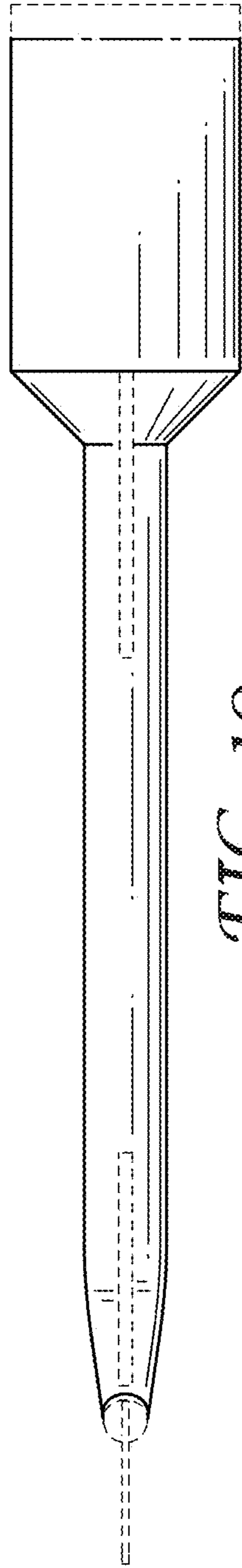


FIG. 10

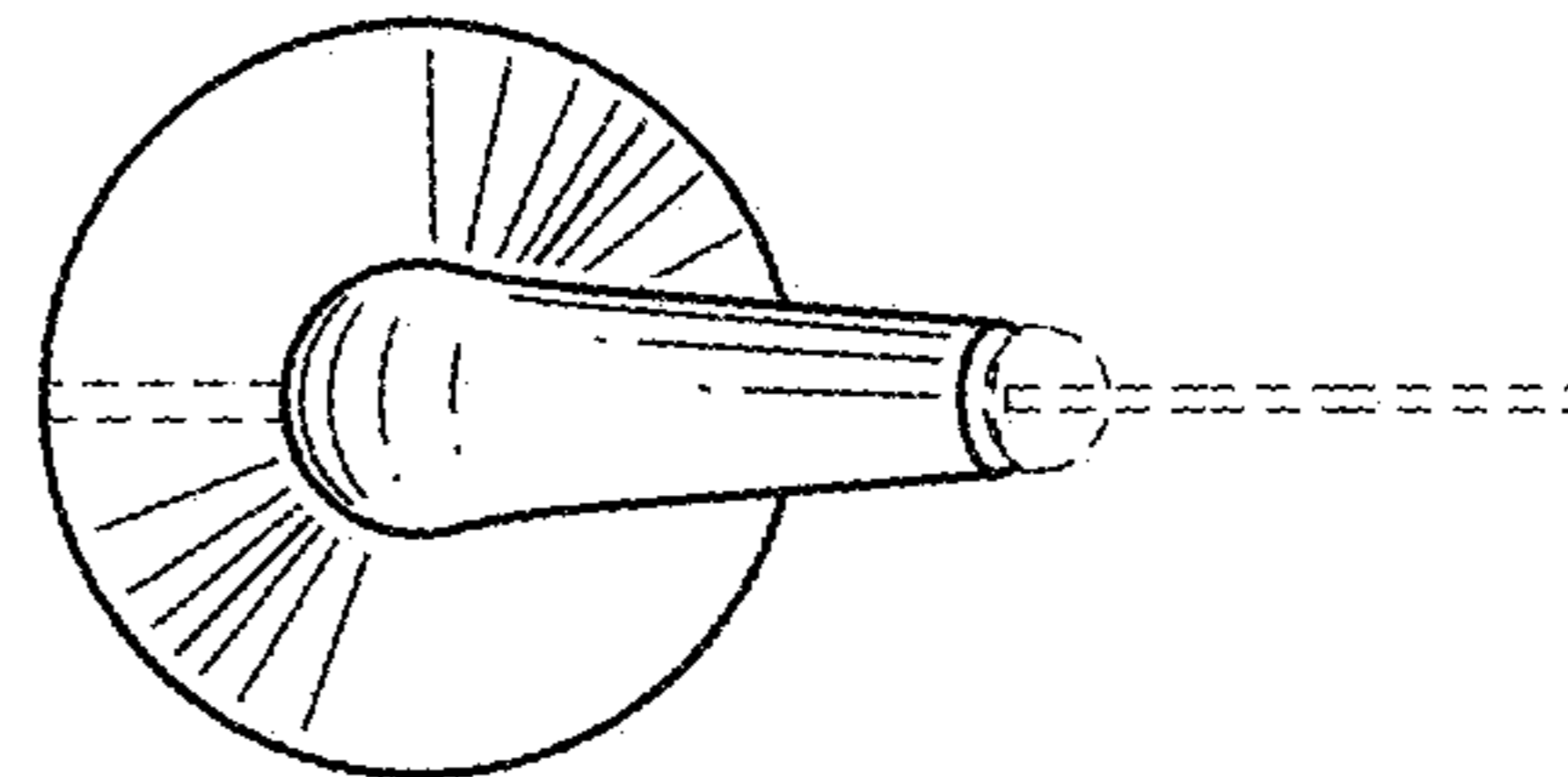


FIG. 11

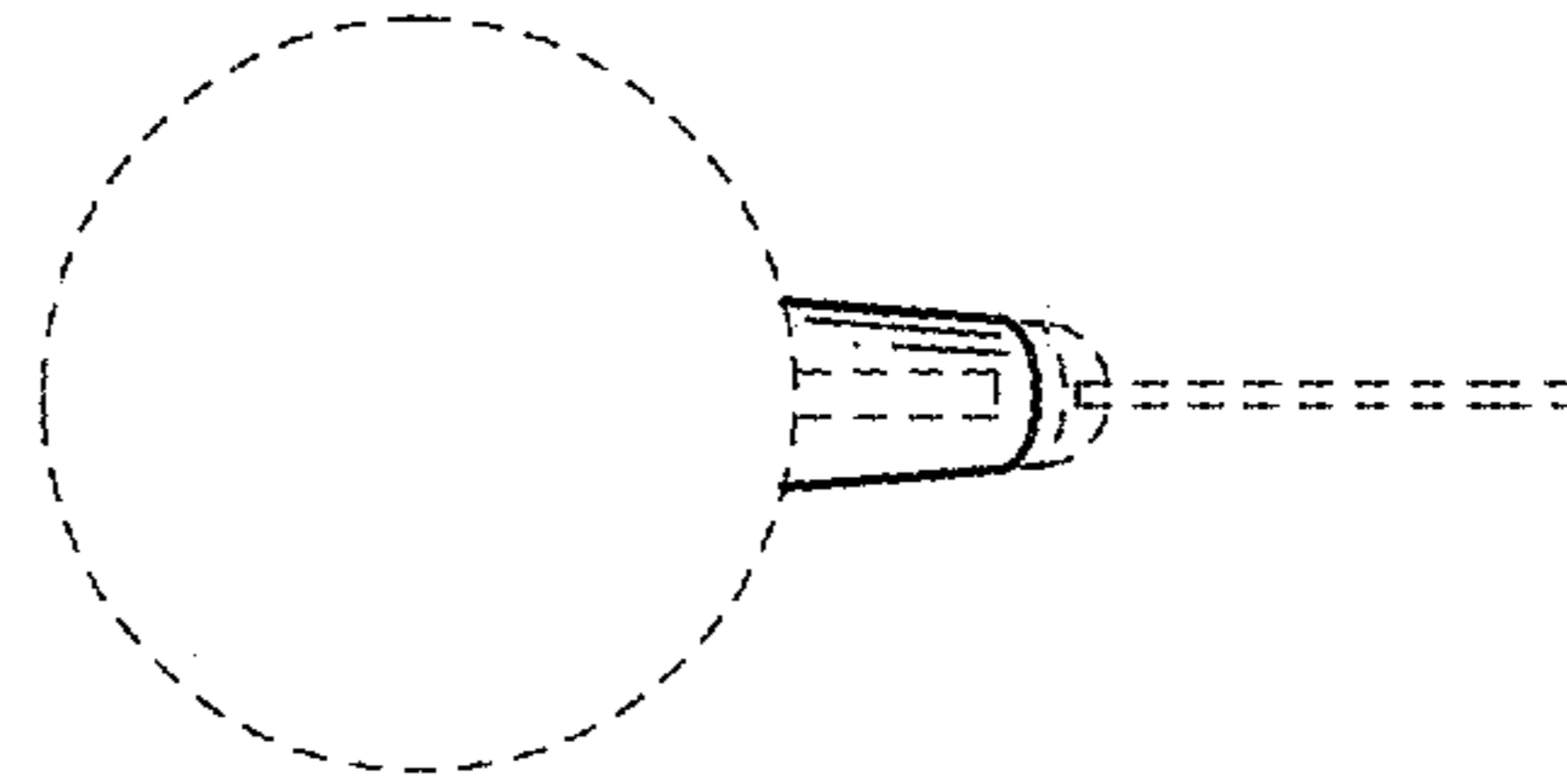


FIG. 12