



US00D928962S

(12) **United States Design Patent** (10) **Patent No.:** **US D928,962 S**
Sunada et al. (45) **Date of Patent:** **** Aug. 24, 2021**

- (54) **HUMIDIFIER BASE FOR LOW-FLOW OXYGEN THERAPY**
- (71) Applicant: **Perma Pure LLC**, Lakewood, NJ (US)
- (72) Inventors: **Craig Sunada**, Manasquan, NJ (US);
Nate Inkrote, Lakewood, NJ (US);
Vincent Lambert, Salisbury, MA (US);
Luke Fichtel, Ashburnham, MA (US)
- (73) Assignee: **Perma Pure LLC**, Lakewood, NJ (US)
- (**) Term: **15 Years**
- (21) Appl. No.: **29/687,825**
- (22) Filed: **Apr. 16, 2019**
- (51) **LOC (13) Cl.** **24-02**
- (52) **U.S. Cl.**
USPC **D24/164**
- (58) **Field of Classification Search**
USPC D23/235, 355, 356; D24/110, 110.1,
D24/110.2, 110.3, 110.4, 110.5, 110.6,
D24/164, 113, 185, 186, 133, 135, 137,
D24/138, 140, 162, 163, 167, 231, 127,
D24/129; D29/124
CPC .. F24F 6/00; F24F 2006/006; F24F 2006/008;
F24F 6/02; F24F 6/10; F24F 6/12; F24F
6/18; A61B 5/085; A61B 5/091; A61M
16/10; A61M 16/0672; A61M 16/06;
A61M 16/16; A61M 16/0616; A62B 7/00;
A62B 7/02; A62B 7/04; A62B 7/06;
A62B 7/08; A62B 7/10; A62B 7/12;
A62B 7/14; A62B 9/00; A62B 9/003;
A62B 9/006; A62B 9/02; A62B 9/022;
A62B 9/025; A62B 9/027; A62B 9/04;
A62B 9/06

See application file for complete search history.

- (56) **References Cited**
- U.S. PATENT DOCUMENTS
- | | | | |
|----------------|--------|---------------|-----------|
| D269,373 S * | 6/1983 | Belt | D24/167 |
| D338,727 S * | 8/1993 | Rand | D13/168 |
| 9,568,203 B1 * | 2/2017 | Small | G10G 7/00 |
| D783,170 S * | 4/2017 | Carreon | D24/167 |
- (Continued)

- OTHER PUBLICATIONS
- HomeCare Mag, "Medtrade 2018 Product Showcase", first available Nov. 13, 2018. (<https://www.homecaremag.com/november-2018/medtrade-2018-product-catalog>) (Year: 2018).*
- (Continued)

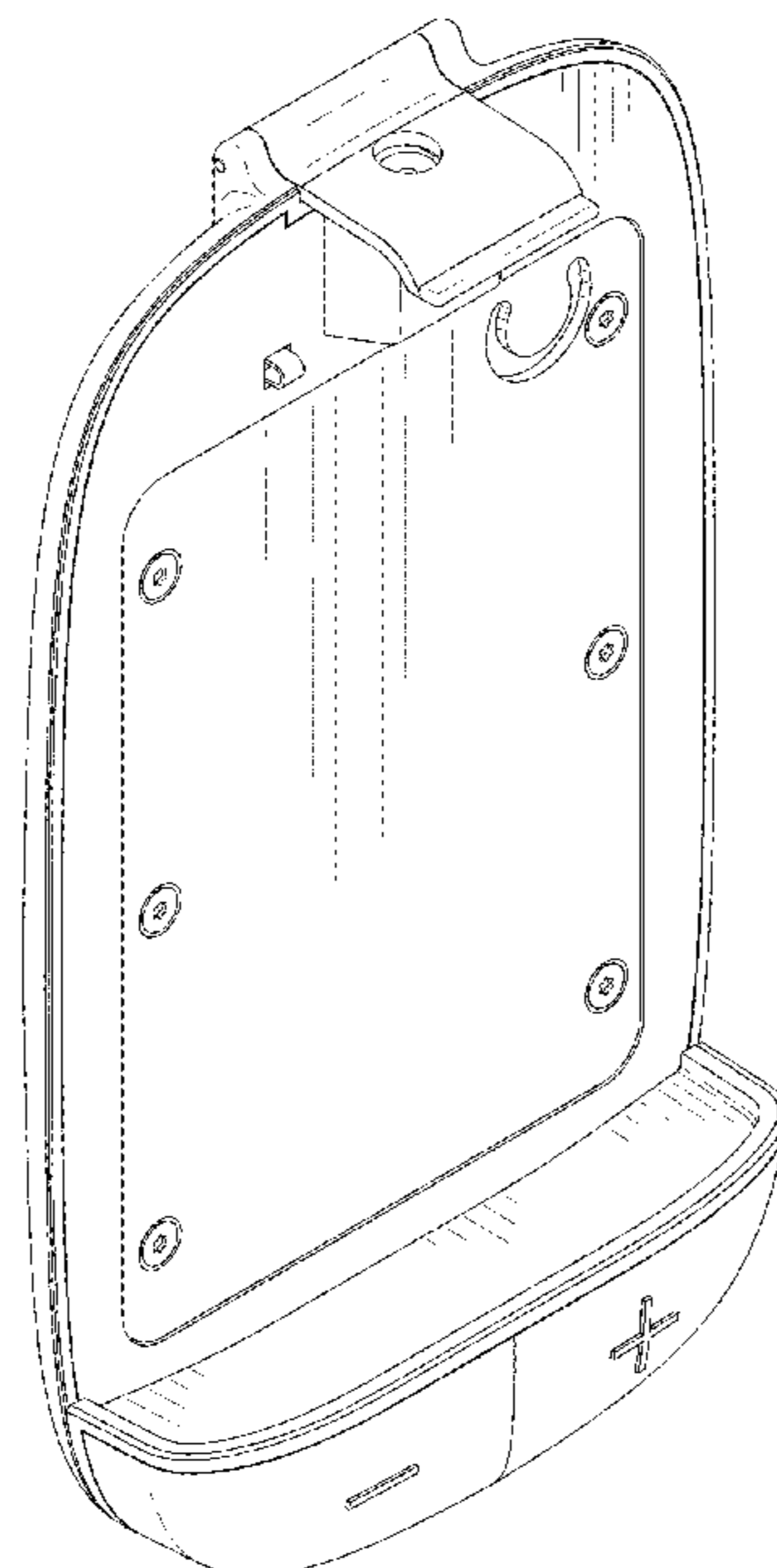
Primary Examiner — April Rivas
Assistant Examiner — Justin A Johnson
(74) *Attorney, Agent, or Firm* — Kaplan Breyer Schwarz, LLP

(57) **CLAIM**
The ornamental design for a humidifier base for low-flow oxygen therapy, as shown and described.

DESCRIPTION

FIG. 1 is an isometric view of a design for a humidifier base for low-flow oxygen therapy.
FIG. 2. is a front view of the design for the humidifier base.
FIG. 3 is a rear view of the design for the humidifier base.
FIG. 4 is a left-side view of the design for the humidifier base.
FIG. 5 is a right-side view of the design for the humidifier base.
FIG. 6 is a top view of the design for the humidifier base; and,
FIG. 7 is a bottom view of the design for the humidifier base.
The broken lines illustrate portions of the humidifier base and form no part of the claimed design.

1 Claim, 5 Drawing Sheets



(56)

References Cited

U.S. PATENT DOCUMENTS

D851,767 S * 6/2019 Allum D24/164
D855,807 S * 8/2019 Schroeder F24F 6/02
D24/167
D890,346 S * 7/2020 Lam A61M 16/16
D24/167
D890,899 S * 7/2020 Read D23/357
2017/0319811 A1 * 11/2017 Foote F24F 6/02
2019/0192886 A1 * 6/2019 Herrmann A62B 7/02
2019/0353151 A1 * 11/2019 Chang F04B 35/04
2020/0101258 A1 * 4/2020 Dimatteo A61M 16/16
2020/0256491 A1 * 8/2020 Lotfi F16L 37/08

OTHER PUBLICATIONS

Luke Fichtel Design, "Perma Pure", first available 2018. (<https://www.lukefichteldesign.com/permapure>) (Year: 2018).*

Facebook, "Perma Pure LLC", first available Oct. 17, 2018. (<https://www.facebook.com/PermaPureLLC/photos/were-proud-to-have-our-upcoming-o2asis-personal-humidifier-selected-for-the-new-1988018957910297/>) (Year: 2018).*

CPAP Xchange, "Z2 Auto Ultra Portable Auto-CPAP Machine", first available Apr. 29, 2019. (https://www.cpapxchange.com/z2-auto-travel-cpap-package-hdm.html?gclid=EAlalQobChM10fmBo-257AIV1ODICh3dPgixEAKYDiABEgJuhfD_BwE) (Year: 2019).*

* cited by examiner

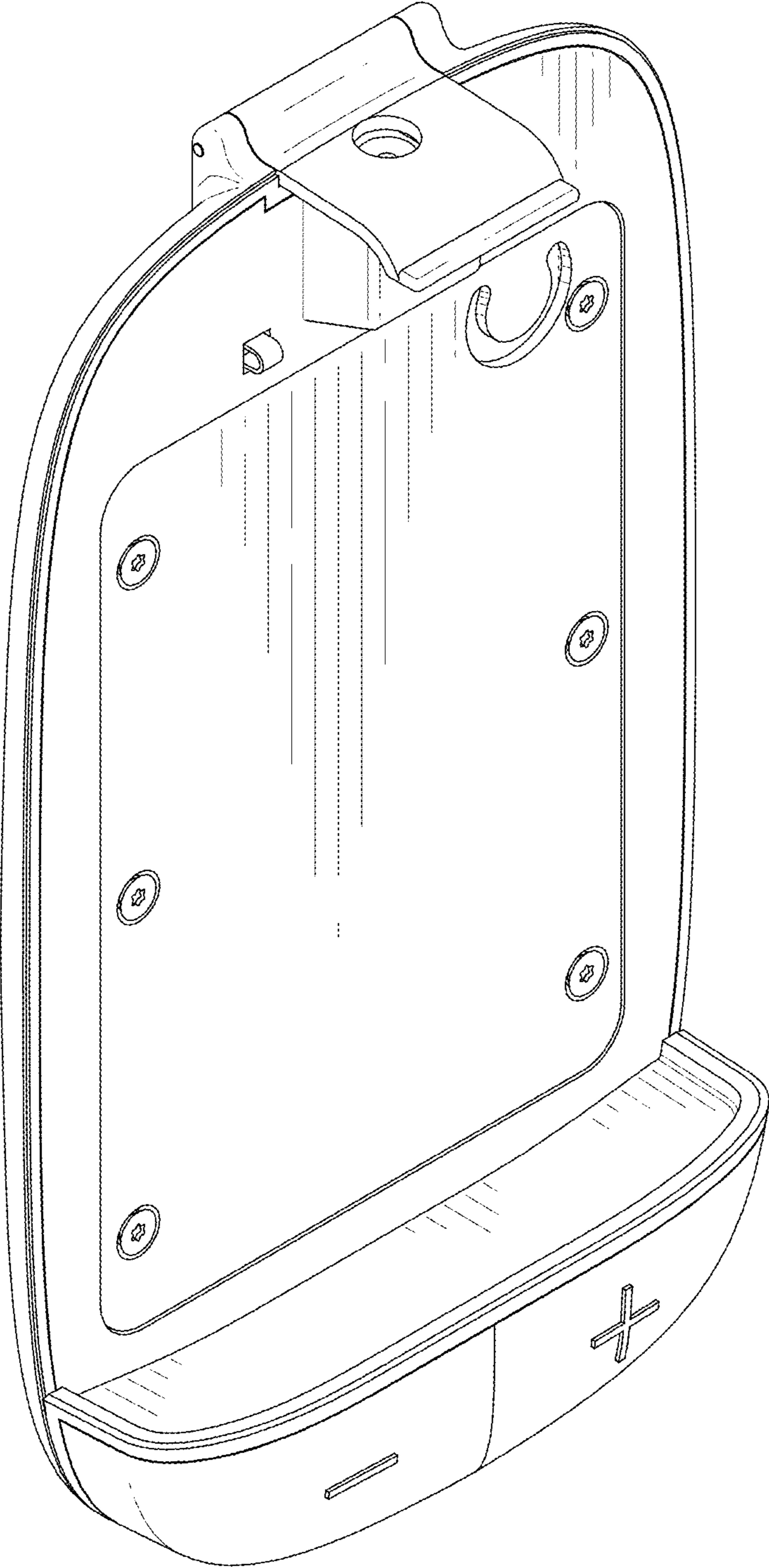


FIG. 1

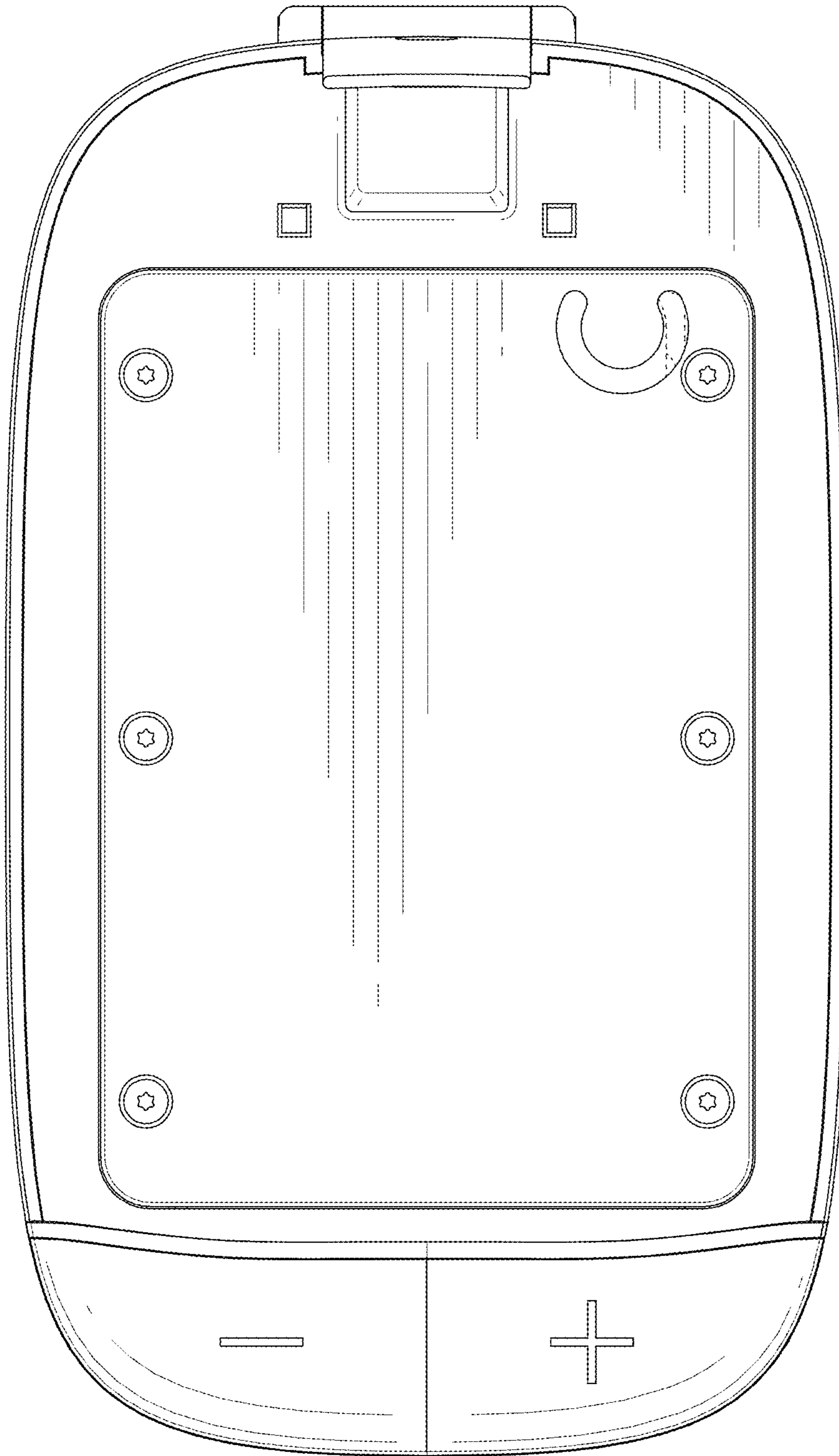


FIG. 2

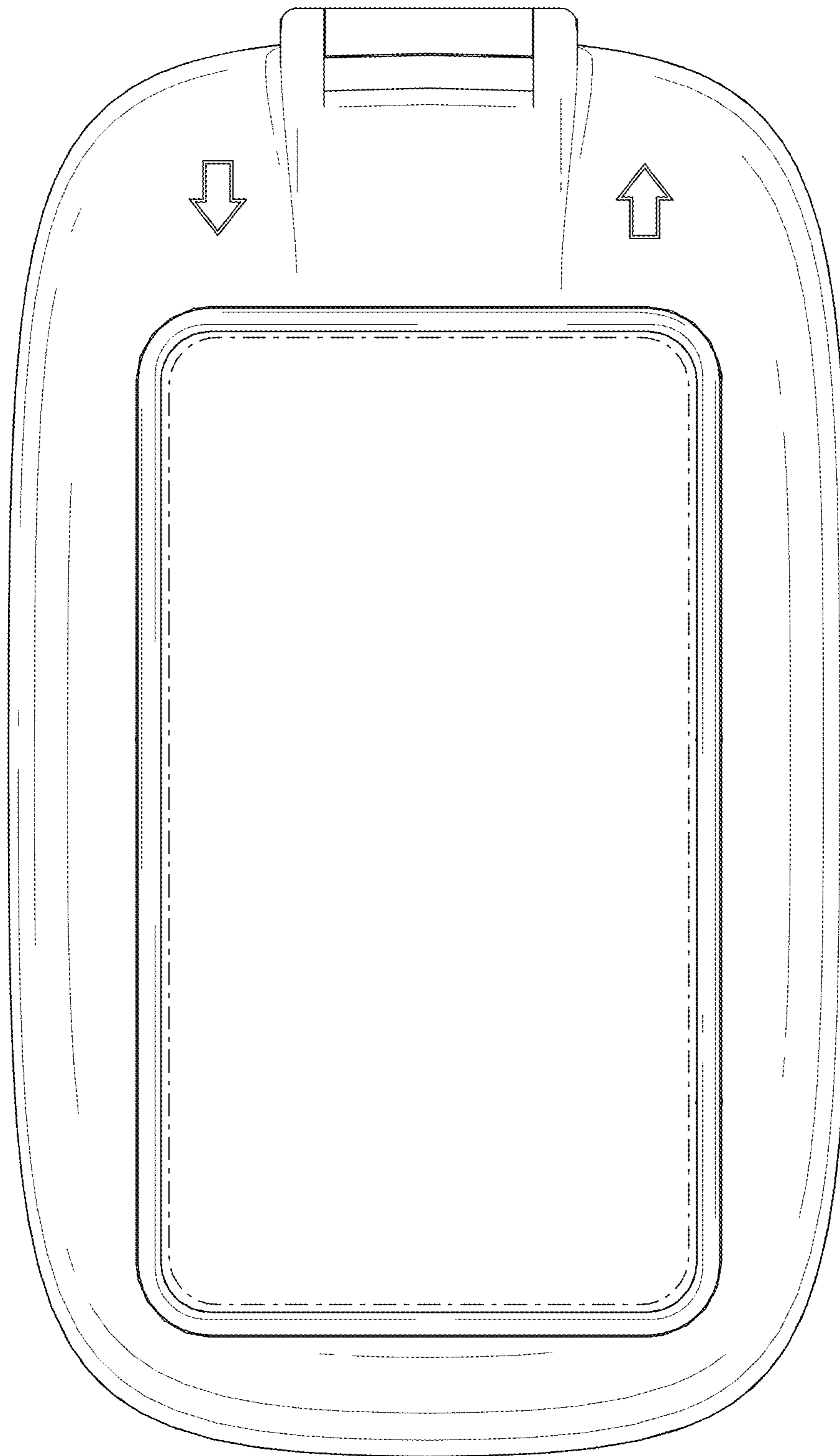


FIG. 3

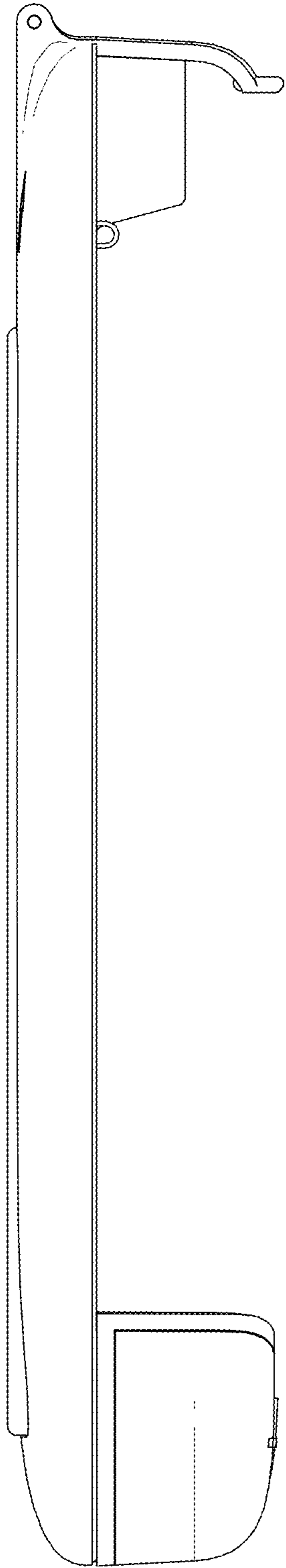


FIG. 4

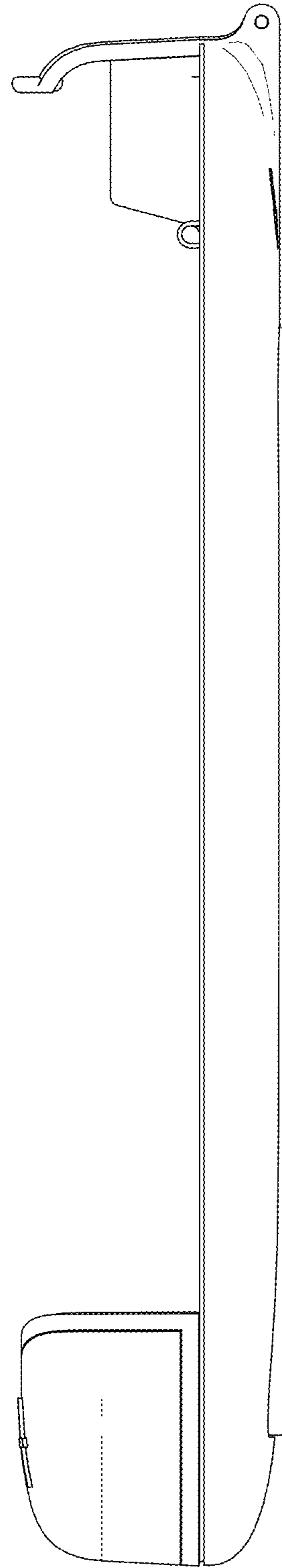


FIG. 5

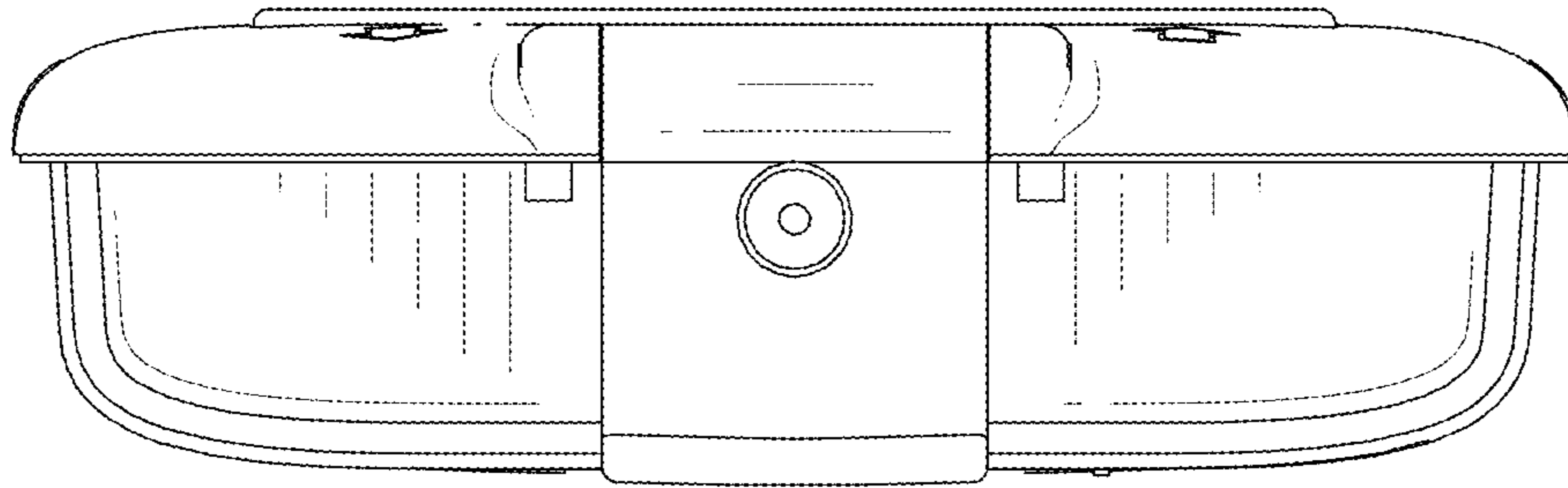


FIG. 6

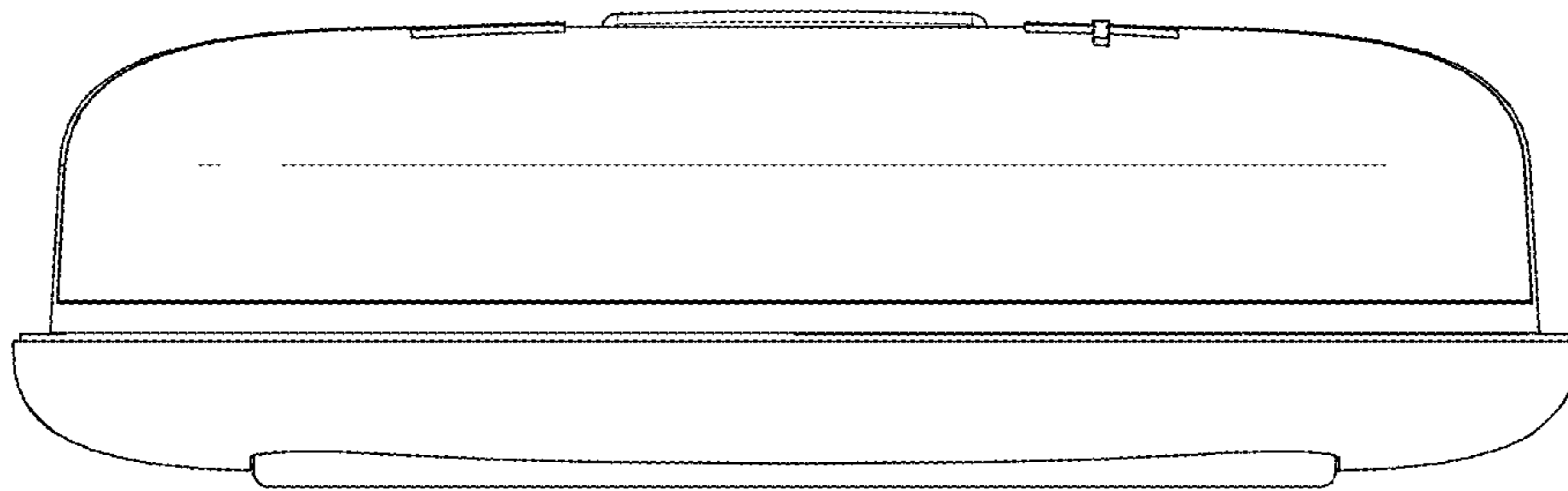


FIG. 7