



US00D928961S

(12) **United States Design Patent**  
**Zhang et al.**

(10) **Patent No.:** **US D928,961 S**

(45) **Date of Patent:** **\*\* Aug. 24, 2021**

(54) **IMAGING APPARATUS**

D874,005 S \* 1/2020 Zhang ..... D24/158  
D895,804 S \* 9/2020 Zhuang ..... D24/158  
D898,917 S \* 10/2020 Stalter ..... D24/158

(71) Applicant: **GE Precision Healthcare LLC**,  
Milwaukee, WI (US)

(72) Inventors: **Wei Zhang**, Beijing (CN); **Jun Hou**,  
Shanghai (CN)

(73) Assignee: **GE PRECISION HEALTHCARE**  
**LLC**, Milwaukee, WI (US)

(\*\*) Term: **15 Years**

(21) Appl. No.: **29/698,209**

(22) Filed: **Jul. 15, 2019**

(51) **LOC (13) Cl.** ..... **24-01**

(52) **U.S. Cl.**  
USPC ..... **D24/158**

(58) **Field of Classification Search**  
USPC ..... D24/107, 158–160, 185–187  
CPC ..... A61B 5/055; G01N 2223/1016; G01N  
2223/301; G01N 2223/031; G01N  
2223/419; G01N 23/046; G01R 33/48  
See application file for complete search history.

(56) **References Cited**

**U.S. PATENT DOCUMENTS**

D417,734 S \* 12/1999 Benders ..... D24/158  
D503,804 S \* 4/2005 Phleps ..... D24/158  
D580,471 S \* 11/2008 Tena Comadran ..... D16/200  
D715,444 S \* 10/2014 Zhi ..... D24/159  
D725,275 S \* 3/2015 Matsumura ..... D24/158  
D751,205 S \* 3/2016 Tan ..... D24/158  
D753,828 S \* 4/2016 Baba ..... D24/158  
D849,949 S \* 5/2019 Stalter ..... D24/158

**OTHER PUBLICATIONS**

Revolution™ Maxima | GE Healthcare | GE Healthcare. Retrieved  
from GE health care’s website on 0/12/2021. No available posting  
date.\*

Zhang, W. et al., “An Ornamental Design for a Ceiling-Mount  
Camera,” U.S. Appl. No. 29/698,210, filed Jul. 15, 2019, 19 pages.  
Zhang, W. et al., “An Ornamental Design for an Imaging Apparatus,” U.S. Appl. No. 29/698,208, filed Jul. 15, 2019, 19 pages.

\* cited by examiner

*Primary Examiner* — Anhdao Doan

(74) *Attorney, Agent, or Firm* — McCoy Russell LLP

(57) **CLAIM**

The ornamental design for an imaging apparatus, as shown  
and described.

**DESCRIPTION**

FIG. 1 is a front-left perspective view of an imaging  
apparatus according to the claimed design.

FIG. 2 is a front view of the imaging apparatus.

FIG. 3 is a rear view of the imaging apparatus.

FIG. 4 is a top view of the imaging apparatus.

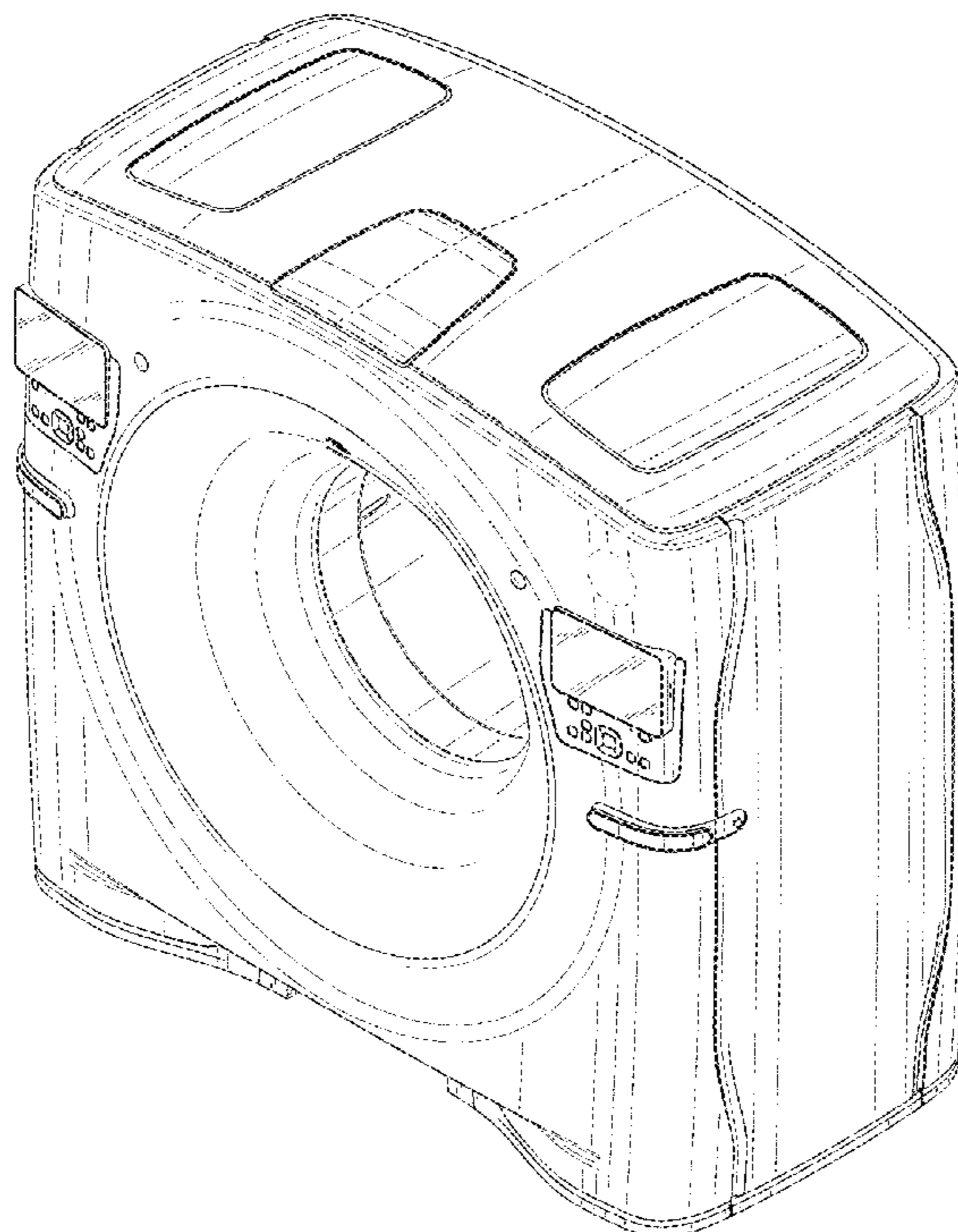
FIG. 5 is a bottom view of the imaging apparatus.

FIG. 6 is a left side view of the imaging apparatus; and,

FIG. 7 is a right side view of the imaging apparatus.

The broken lines in the drawings illustrate portions of the  
imaging apparatus that form no part of the claimed design.

**1 Claim, 7 Drawing Sheets**



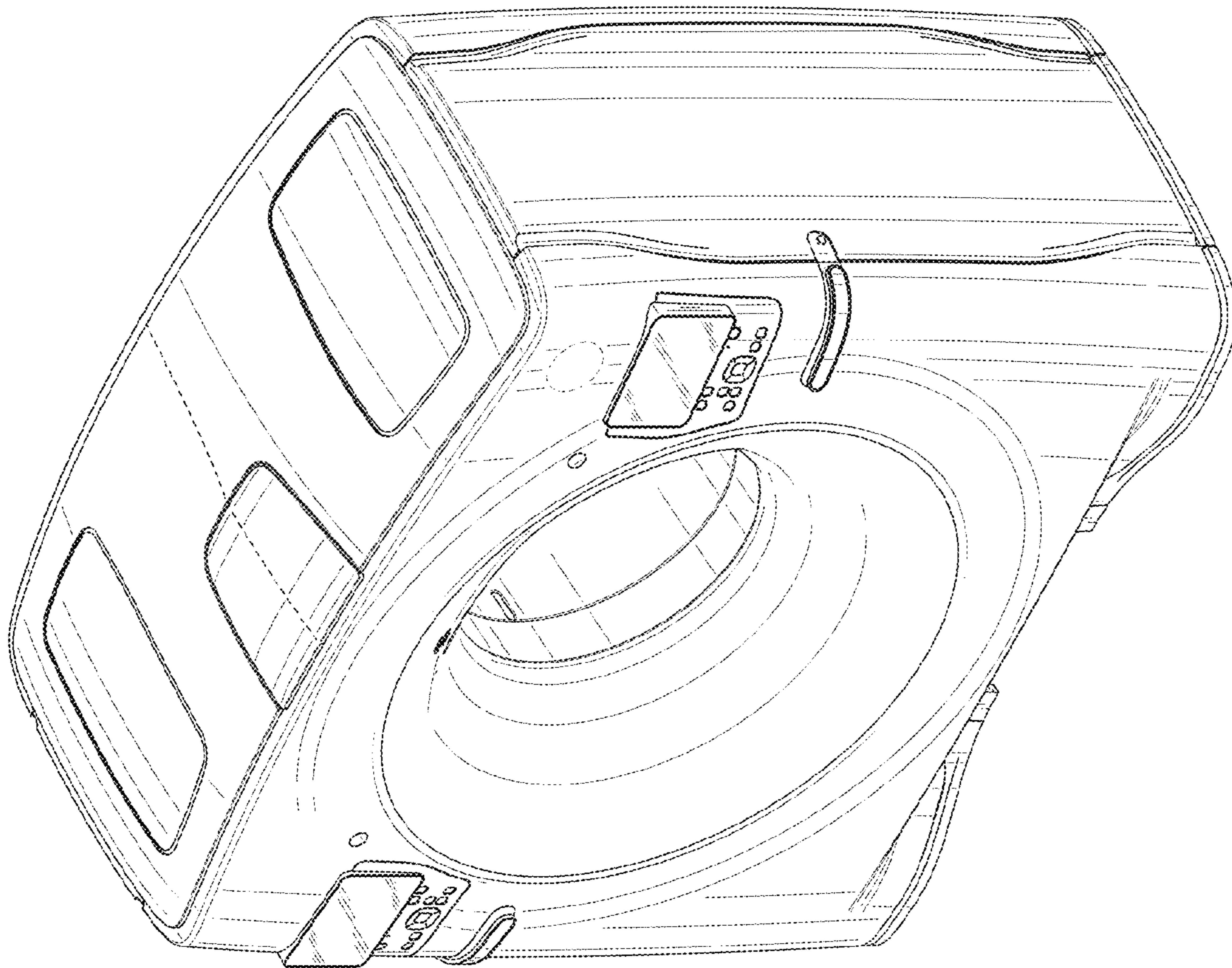


FIG. 1

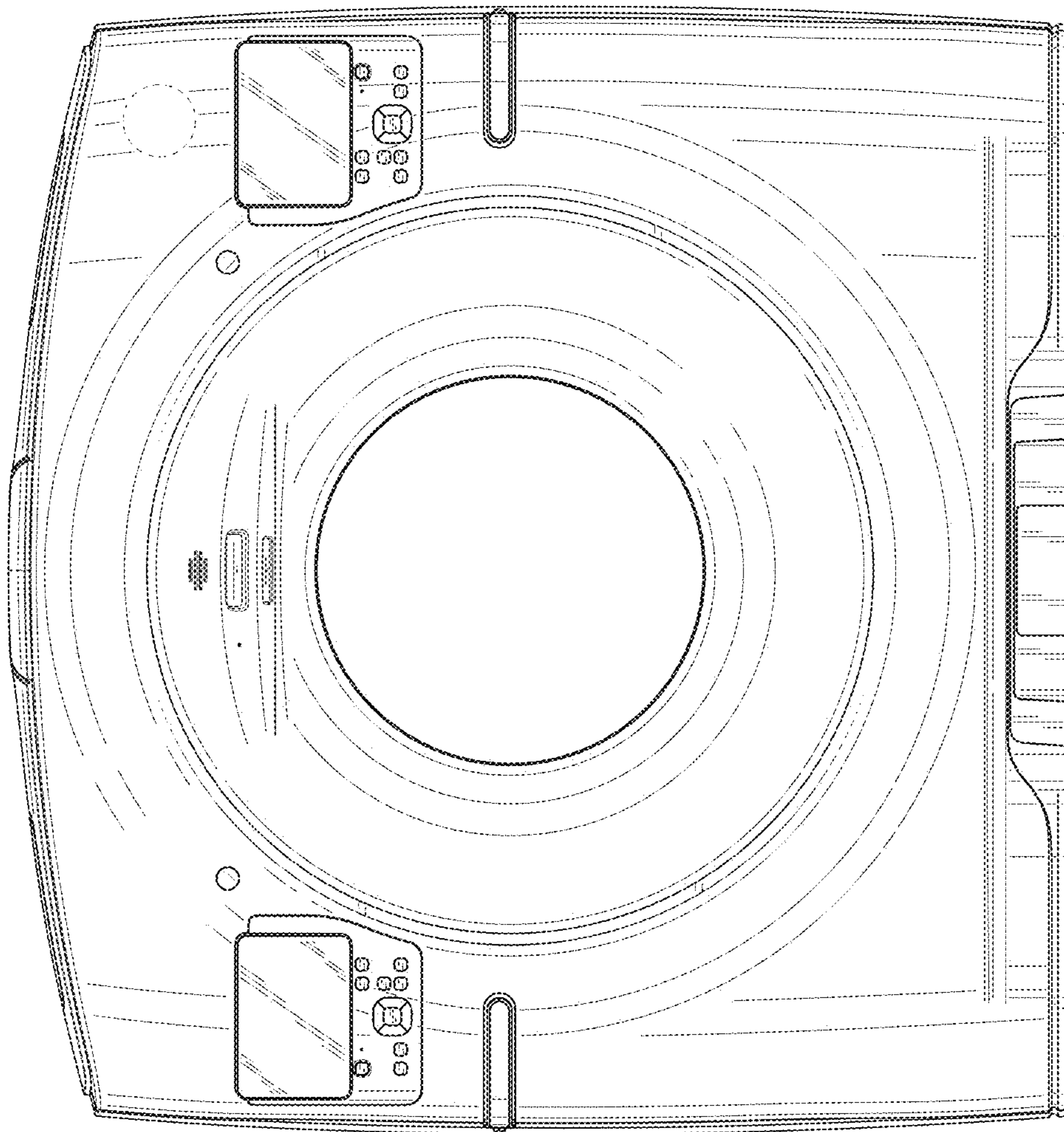


FIG. 2

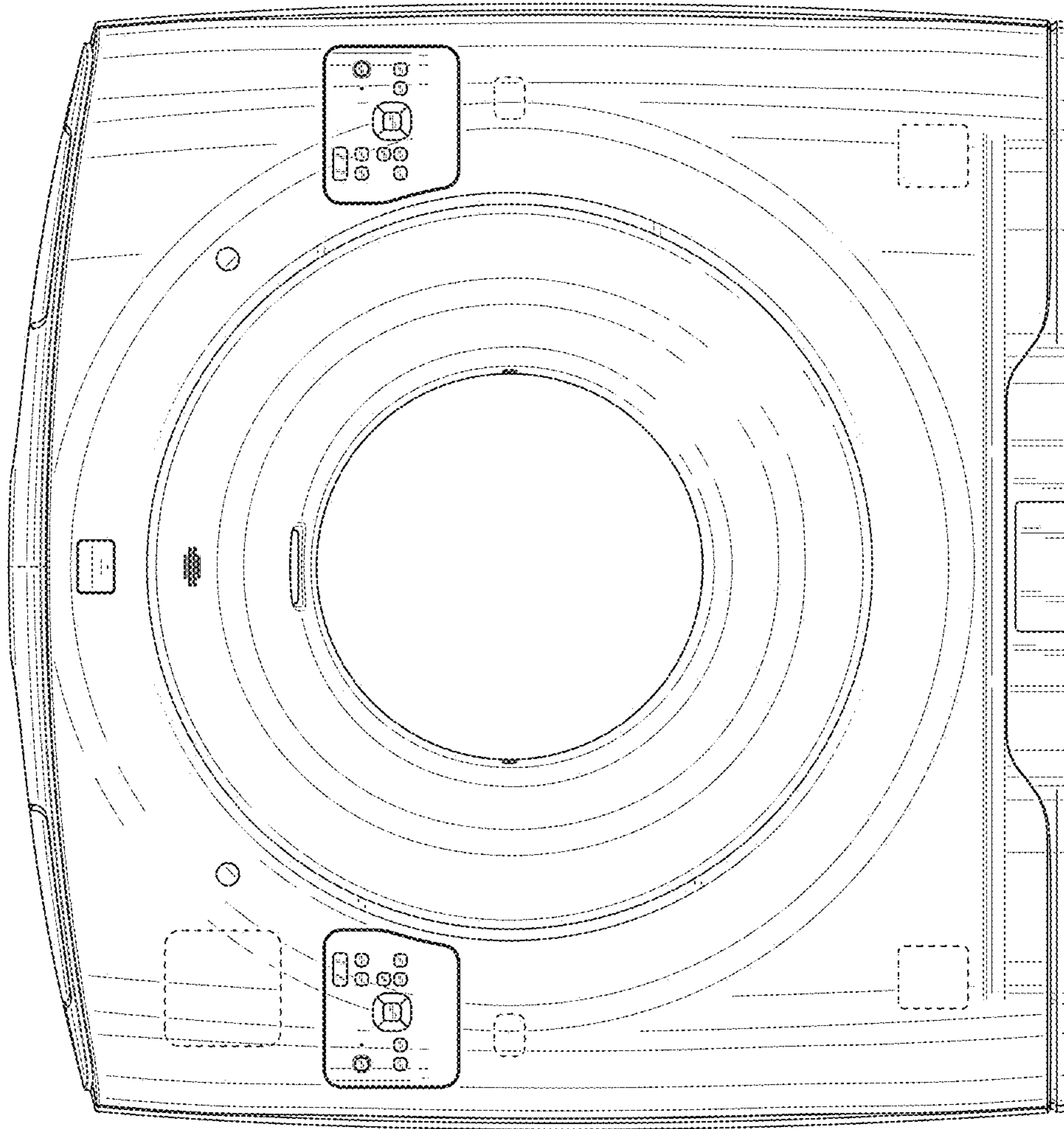


FIG. 3

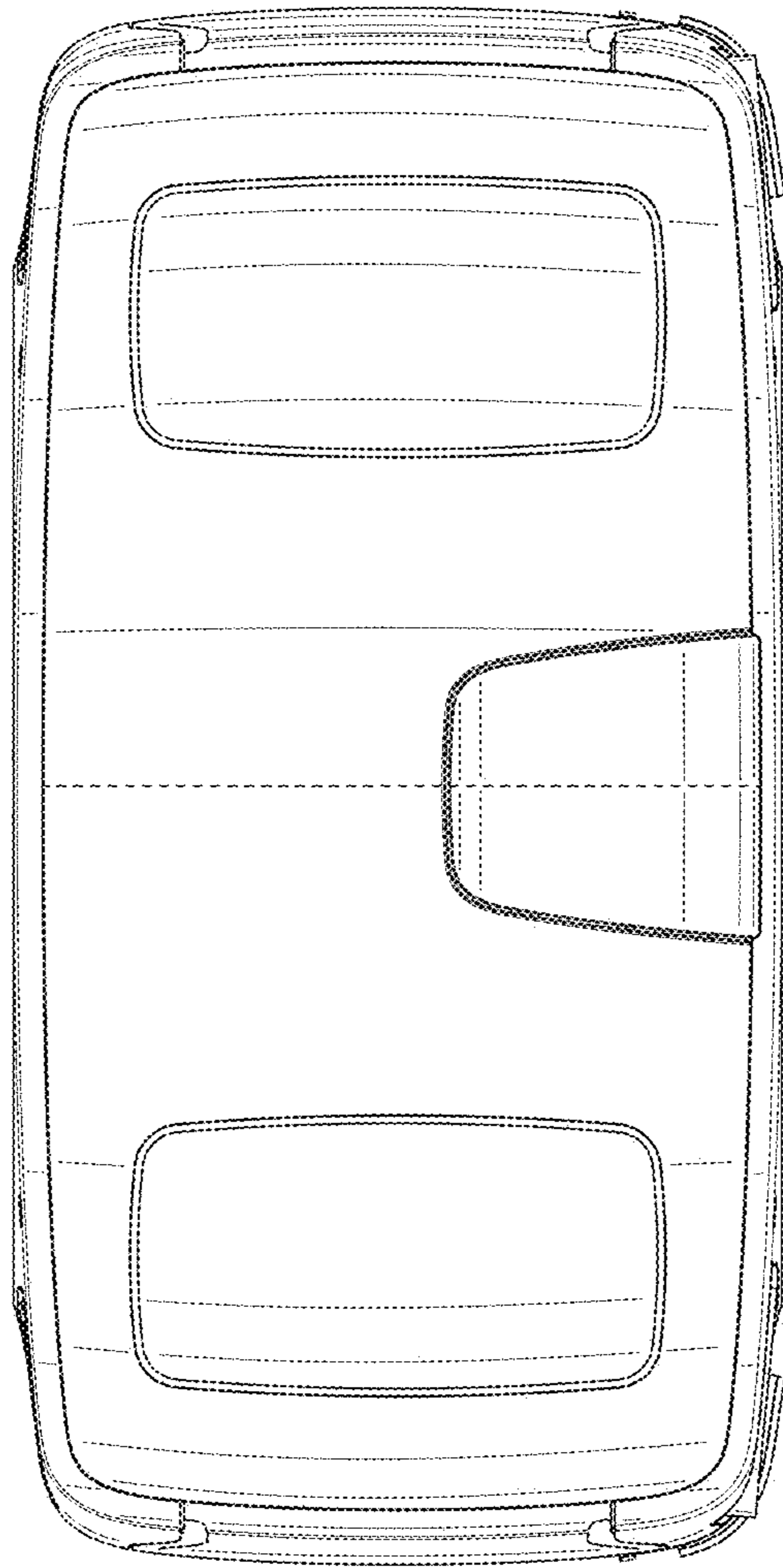


FIG. 4

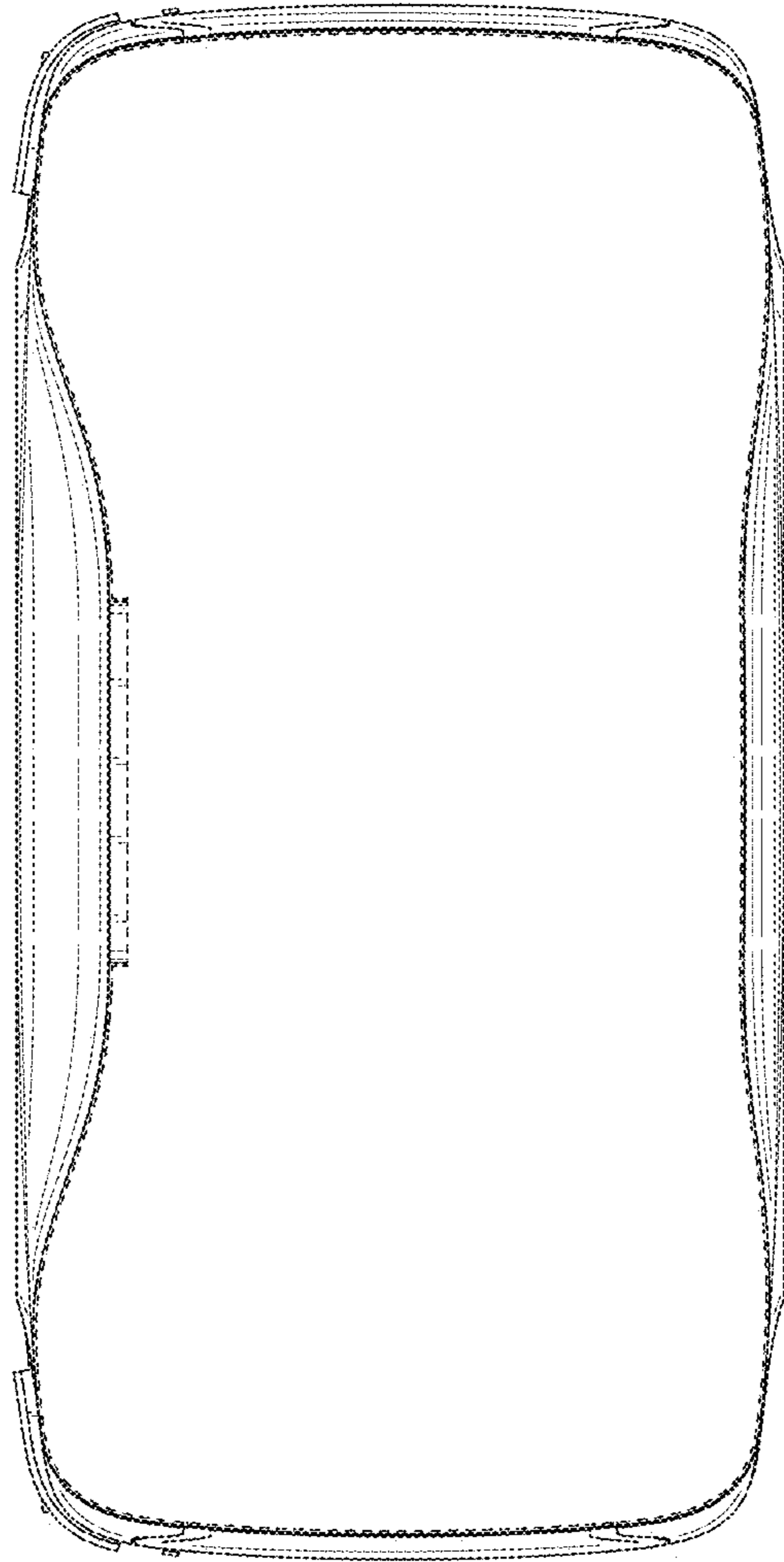


FIG. 5

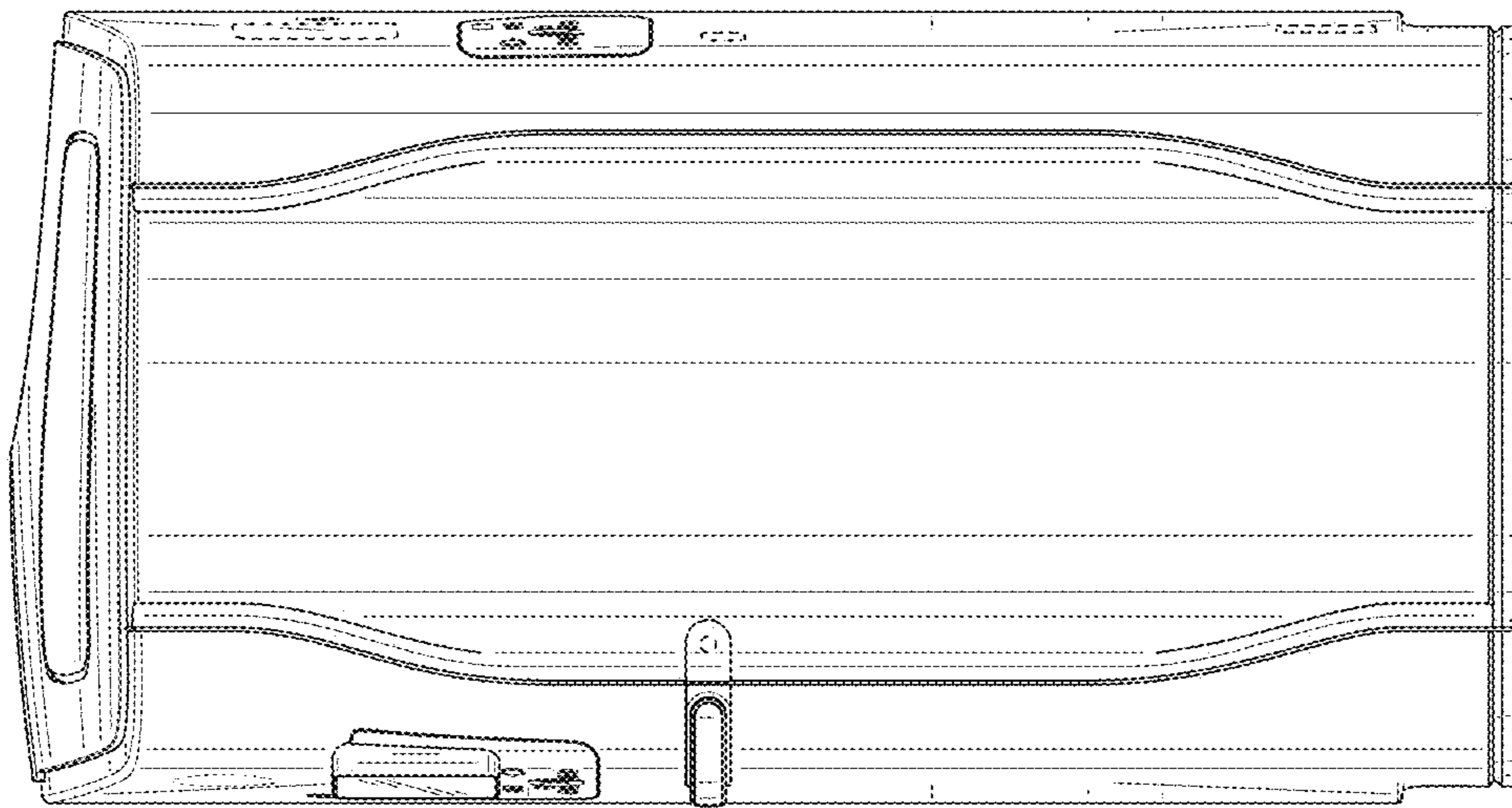


FIG. 6

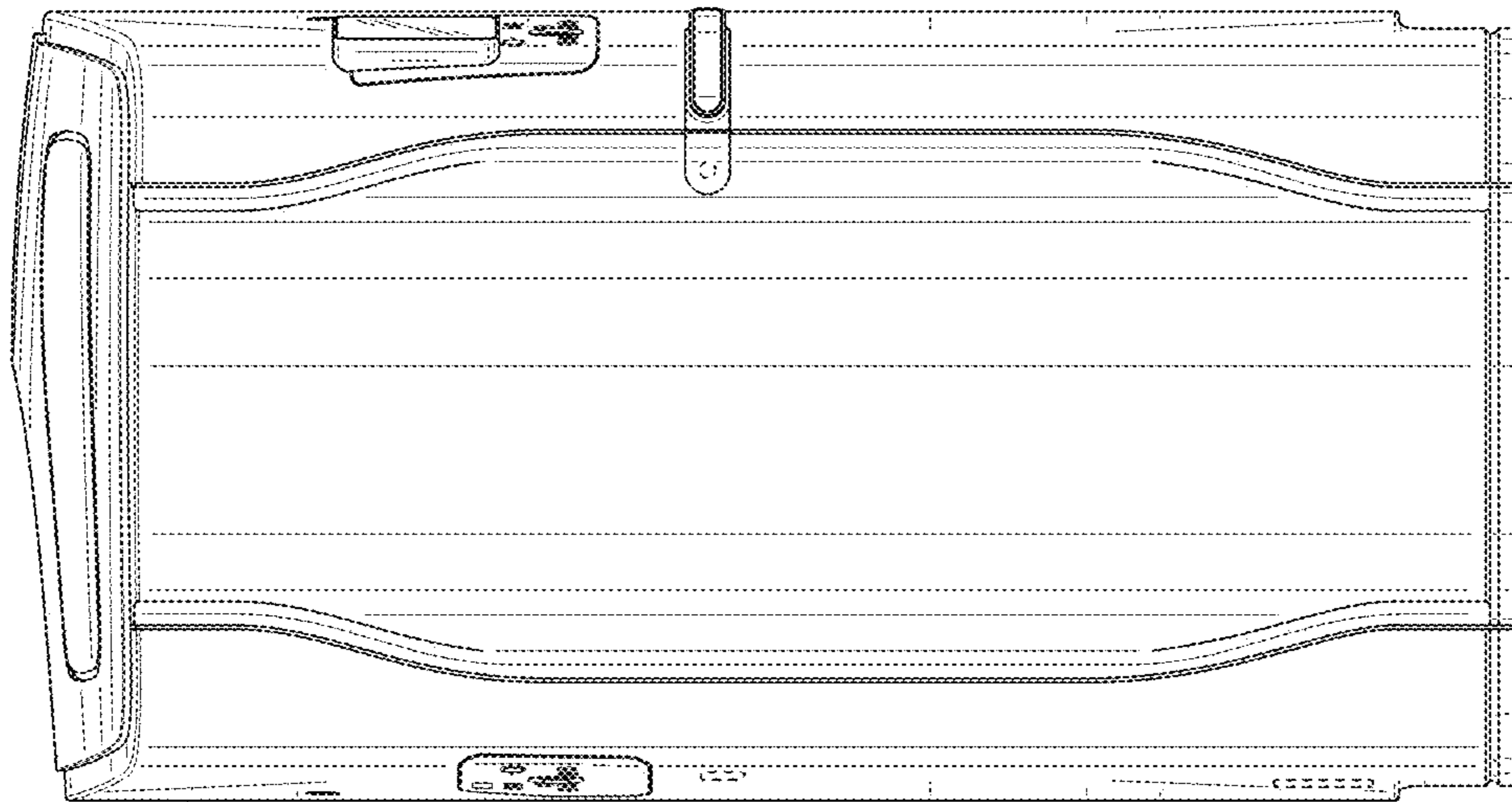


FIG. 7