



US00D928960S

(12) **United States Design Patent** (10) **Patent No.:** **US D928,960 S**  
**Elazar et al.** (45) **Date of Patent:** **\*\* Aug. 24, 2021**

(54) **DENTAL INSTRUMENT** 5,622,492 A \* 4/1997 Eli ..... A61B 1/24  
433/3  
(71) Applicant: **DENTAL SMARTMIRROR, INC.,** D382,641 S 8/1997 Gore  
Chicago, IL (US) 5,813,856 A \* 9/1998 Lee ..... A61B 1/247  
433/31  
(72) Inventors: **Gidon Oded Elazar**, Cohav Yair (IL); D437,936 S 2/2001 Guy  
**Dan Zidkiahu Harkabi**, Moshav D475,784 S 6/2003 Latone et al.  
Lachish (IL); **Eitan Sharif**, Kibbutz 9,636,008 B1 5/2017 Elazar et al.  
Gesher Haziv (IL); **Gideon Ashkenazi**, D809,658 S \* 2/2018 Schepperhyn ..... D24/139  
Raanana (IL) D869,654 S \* 12/2019 Elazar ..... D24/152  
D879,291 S \* 3/2020 Elazar ..... D24/152  
(Continued)

(73) Assignee: **Dental SmartMirror, Inc.**, Chicago, IL (US)

(\*\*) Term: **15 Years**

(21) Appl. No.: **29/724,844**

(22) Filed: **Feb. 19, 2020**

(51) **LOC (13) Cl.** ..... **24-02**

(52) **U.S. Cl.**  
USPC ..... **D24/152; D24/139**

(58) **Field of Classification Search**  
USPC ..... D24/152, 176, 139  
CPC ..... A61B 1/247; A61B 1/253; A61B 1/00195;  
A61B 1/00009; A61B 1/05; A61B 1/06;  
A61B 1/24; A61B 5/0088; A61C 3/00;  
H04N 5/2256

See application file for complete search history.

(56) **References Cited**

**U.S. PATENT DOCUMENTS**

2,627,206 A 2/1953 Clark  
3,376,644 A 4/1968 Clark  
D231,463 S 4/1974 Rudnick  
D238,281 S \* 12/1975 Cali ..... D24/139  
4,252,522 A \* 2/1981 Petty ..... A61B 1/247  
433/30  
D300,850 S \* 4/1989 Brewer ..... D24/139  
5,052,925 A 10/1991 Stalcup  
D329,899 S 9/1992 Rihani  
5,295,826 A \* 3/1994 Yandell ..... A61B 1/253  
433/31  
5,328,370 A 7/1994 Chen

**OTHER PUBLICATIONS**

Osung, Osung D-MFCS-04H Front Surface Dental Mirror with Handle #4, Cone Socket, Amazon.com, dated Mar. 28, 2015, Available at <<https://www.amazon.com/Osung-D-MFCS-04H-Surface-Dental-Mirror/dp/B004SH8T4A>>.

*Primary Examiner* — Wan Laymon

(74) *Attorney, Agent, or Firm* — Sterne, Kessler, Goldstein & Fox P.L.L.C.

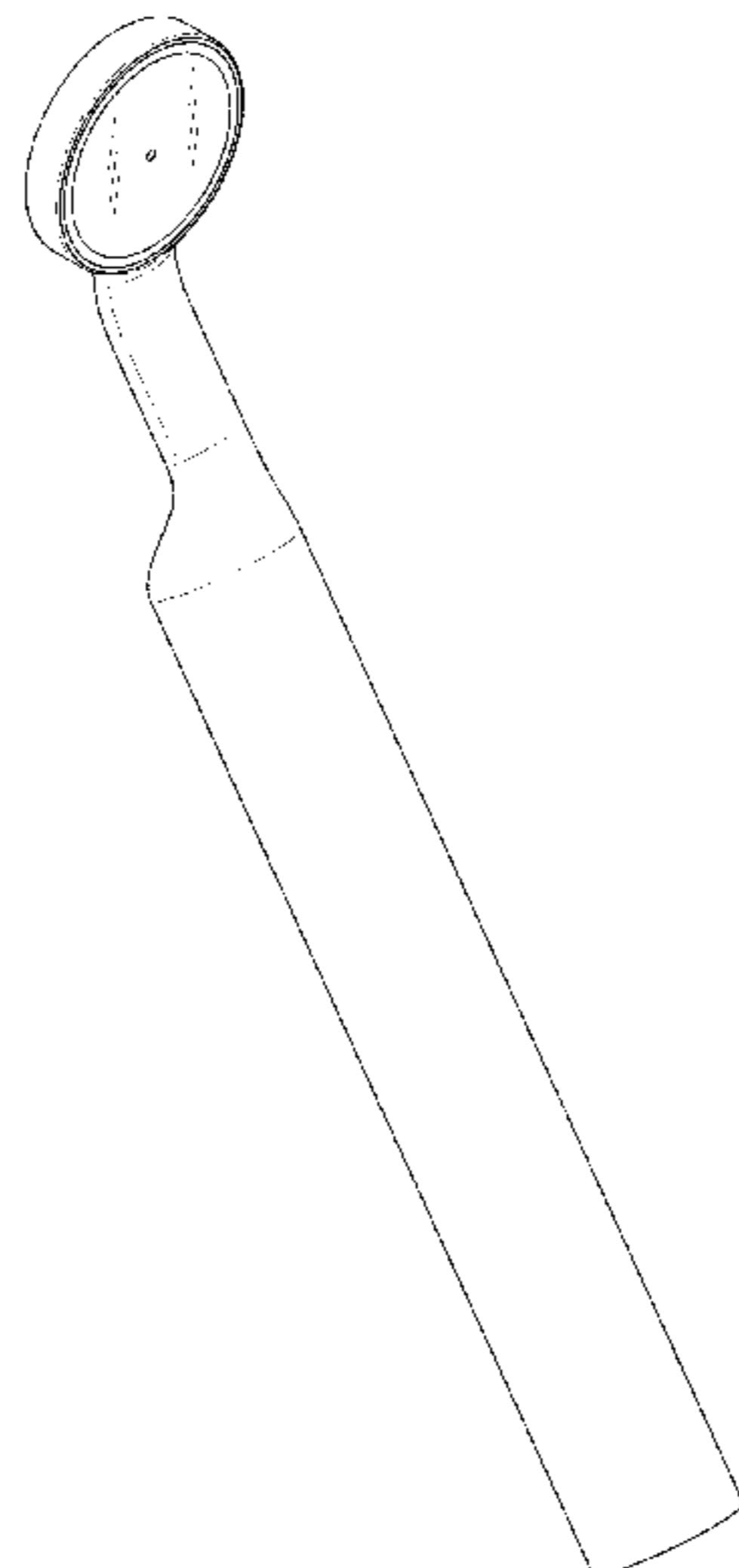
(57) **CLAIM**

The ornamental design for a dental instrument, as shown and described.

**DESCRIPTION**

FIG. 1 is a top perspective view of a dental instrument showing the claimed design;  
FIG. 2 is a bottom perspective view thereof;  
FIG. 3 is a front perspective view thereof;  
FIG. 4 is a rear perspective view thereof;  
FIG. 5 is a left side view thereof, the right side view being a mirror image thereof;  
FIG. 6 is a top perspective view thereof; and  
FIG. 7 is a bottom perspective view thereof.  
The broken lines in the figures show portions of the dental instrument that form no part of the claimed design.

**1 Claim, 5 Drawing Sheets**



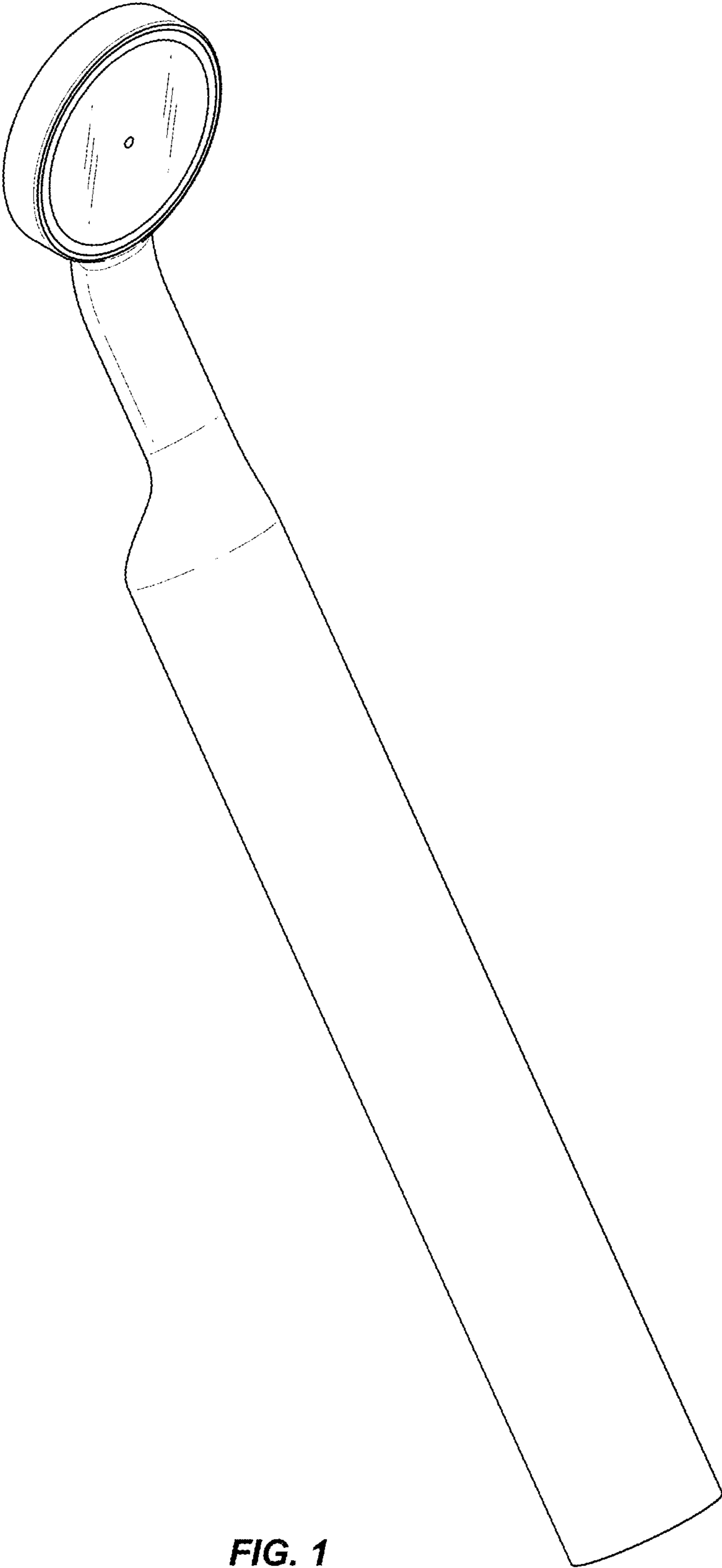
(56)

**References Cited**

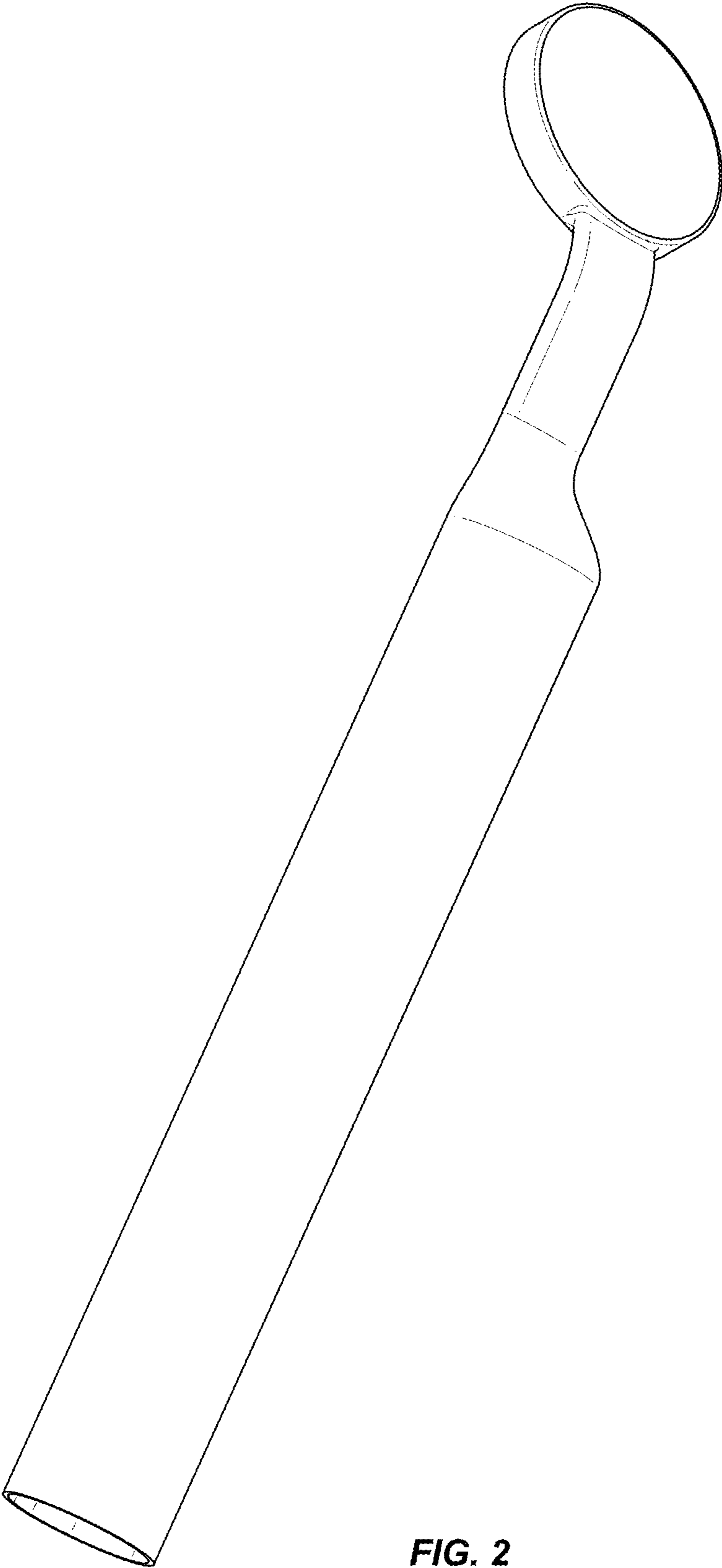
U.S. PATENT DOCUMENTS

2005/0227198 A1 10/2005 Martin  
2007/0287123 A1\* 12/2007 Swift ..... A61B 1/247  
433/30  
2009/0118624 A1\* 5/2009 Bride ..... A61B 1/24  
600/476  
2010/0279249 A1 11/2010 Lin  
2017/0079517 A1 3/2017 Ozcan et al.  
2017/0340196 A1\* 11/2017 Elazar ..... A61B 1/06  
2018/0263483 A1 9/2018 Elazar

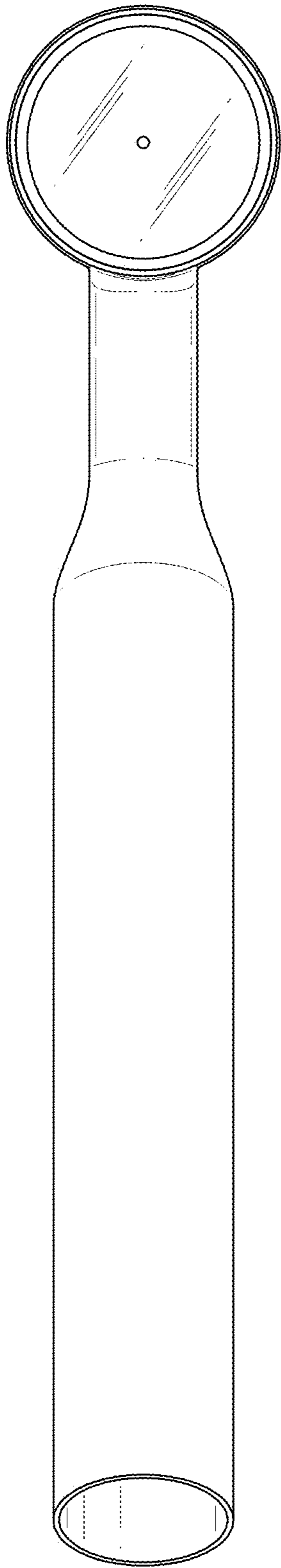
\* cited by examiner



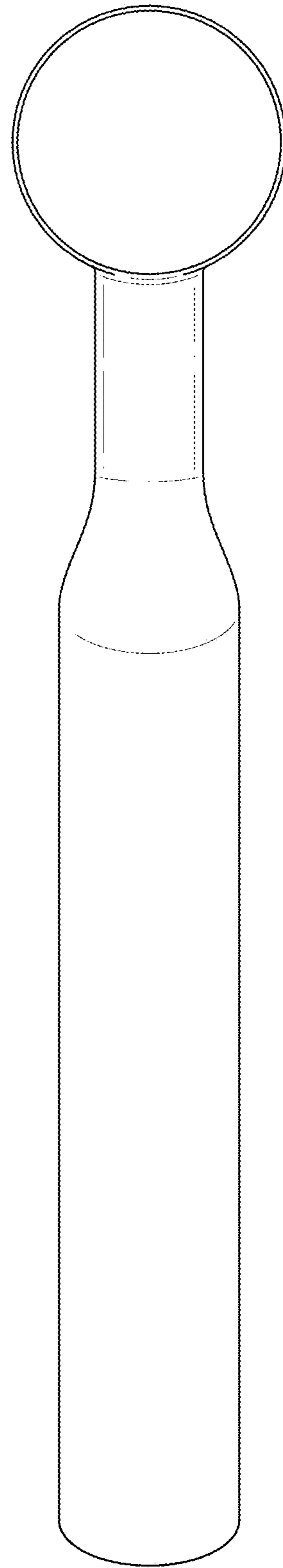
**FIG. 1**



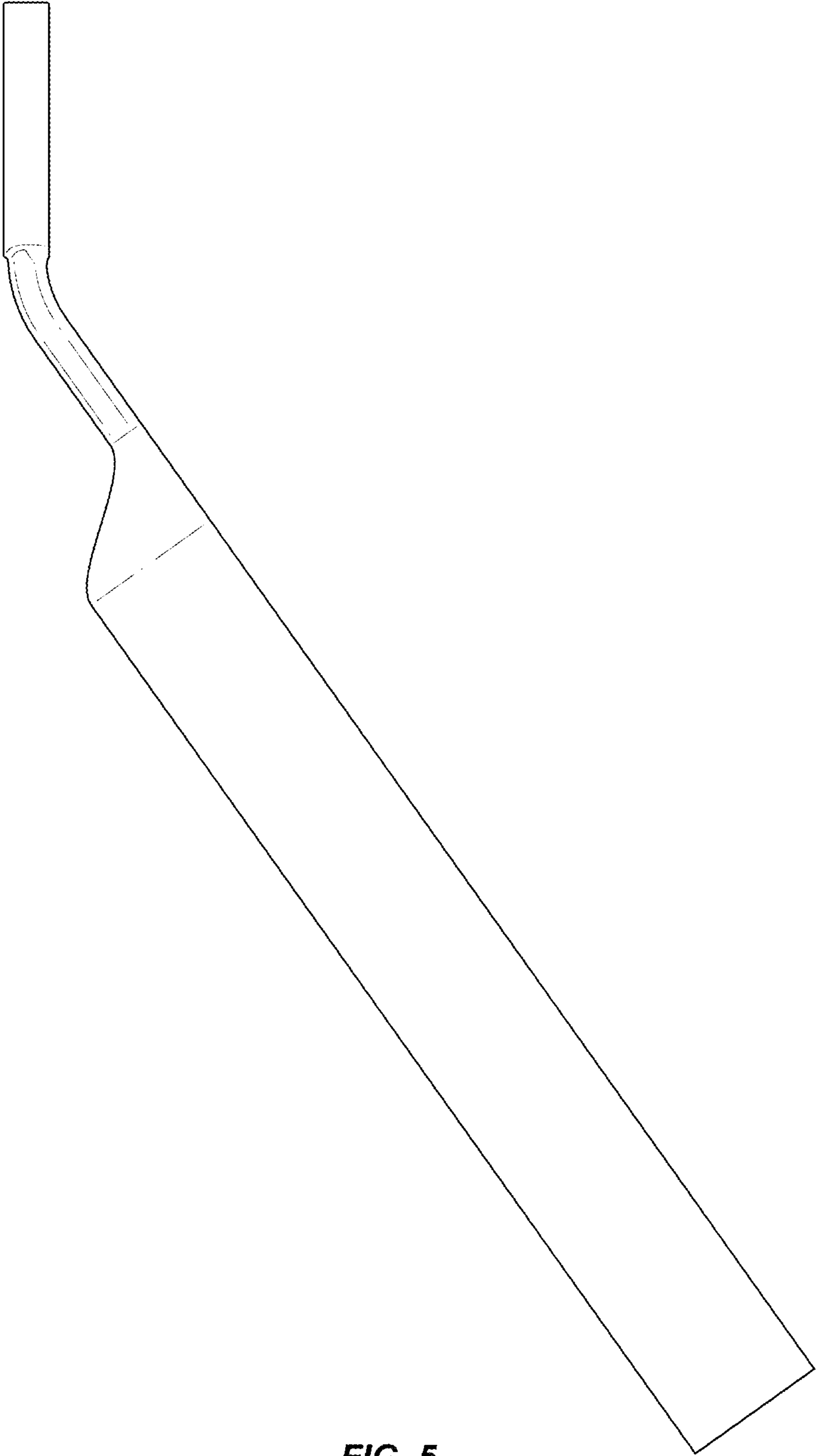
**FIG. 2**



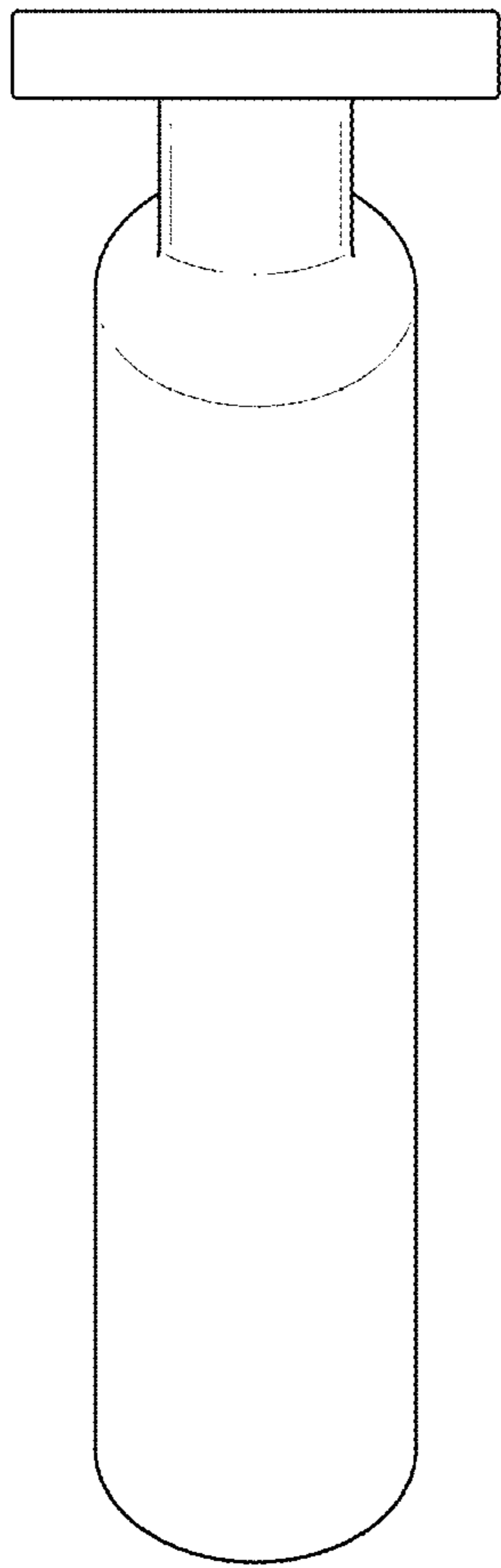
**FIG. 3**



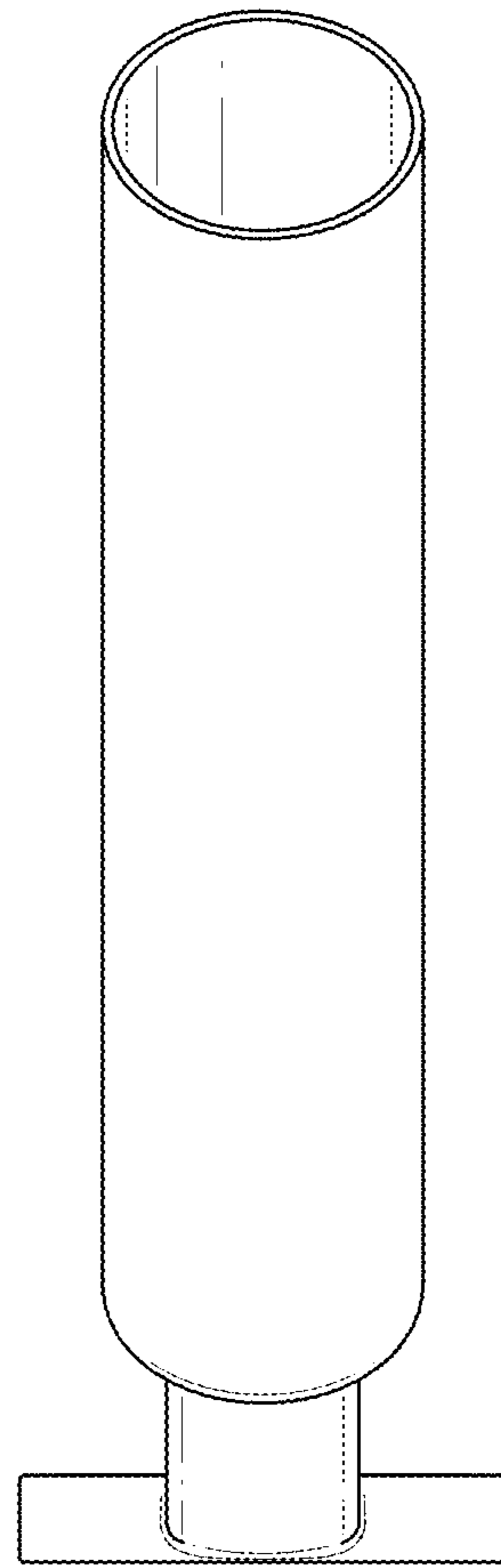
**FIG. 4**



**FIG. 5**



**FIG. 6**



**FIG. 7**

UNITED STATES PATENT AND TRADEMARK OFFICE  
**CERTIFICATE OF CORRECTION**

PATENT NO. : D928,960 S  
APPLICATION NO. : 29/724844  
DATED : August 24, 2021  
INVENTOR(S) : Gidon Oded Elazar et al.

Page 1 of 1

It is certified that error appears in the above-identified patent and that said Letters Patent is hereby corrected as shown below:

On the Title Page

In the Description section, remove:

“The broken lines in the figures show portions of the dental instrument that form no part of the claimed design.”

Signed and Sealed this  
Twenty-ninth Day of August, 2023  
*Katherine Kelly Vidal*

Katherine Kelly Vidal  
*Director of the United States Patent and Trademark Office*