



US00D928956S

(12) **United States Design Patent**  
**Hacker**

(10) **Patent No.:** **US D928,956 S**

(45) **Date of Patent:** **\*\* Aug. 24, 2021**

(54) **SCALPEL**

(71) Applicant: **Nano 2.0 Business Press, LLC**, Delray Beach, FL (US)

(72) Inventor: **Steven M. Hacker**, Delray Beach, FL (US)

(73) Assignee: **Nano 2.0 Business Press, LLC**, Delray Beach, FL (US)

(\*\*) Term: **15 Years**

(21) Appl. No.: **29/659,735**

(22) Filed: **Aug. 10, 2018**

(51) **LOC (13) Cl.** ..... **24-02**

(52) **U.S. Cl.**  
USPC ..... **D24/147**

(58) **Field of Classification Search**  
USPC ..... D24/133, 211-215, 146, 147, 148, 149, D24/127, 130  
CPC ..... A61B 17/3211; A61B 17/320068; A61B 2017/32113; A61B 17/144; A61B 17/32; A61B 17/3213; A61B 17/3217; A61B 2017/320082; A61B 2017/320084; A61B 2217/007; A45D 29/04

See application file for complete search history.

(56) **References Cited**

U.S. PATENT DOCUMENTS

D533,944 S \* 12/2006 Sullivan ..... A61B 17/3211  
D24/147  
D704,337 S \* 5/2014 Dunn ..... D24/147

D740,939 S \* 10/2015 Canady ..... D24/147  
D775,338 S \* 12/2016 Gitman ..... D24/147  
D797,291 S \* 9/2017 Padwa ..... D24/147  
D860,455 S \* 9/2019 Levy ..... D24/146  
D902,404 S \* 11/2020 Patcharakitti ..... D24/146  
D915,862 S \* 4/2021 Korbuly ..... D8/107  
2015/0257777 A1\* 9/2015 Woodward ..... A61B 17/3213  
606/167  
2020/0038049 A1\* 2/2020 Hacker ..... A61B 17/3211

\* cited by examiner

*Primary Examiner* — Samantha Q Lawrence

(74) *Attorney, Agent, or Firm* — Nancy J. Flint, Attorney At Law, P.A.; Nancy J. Flint, Esq.

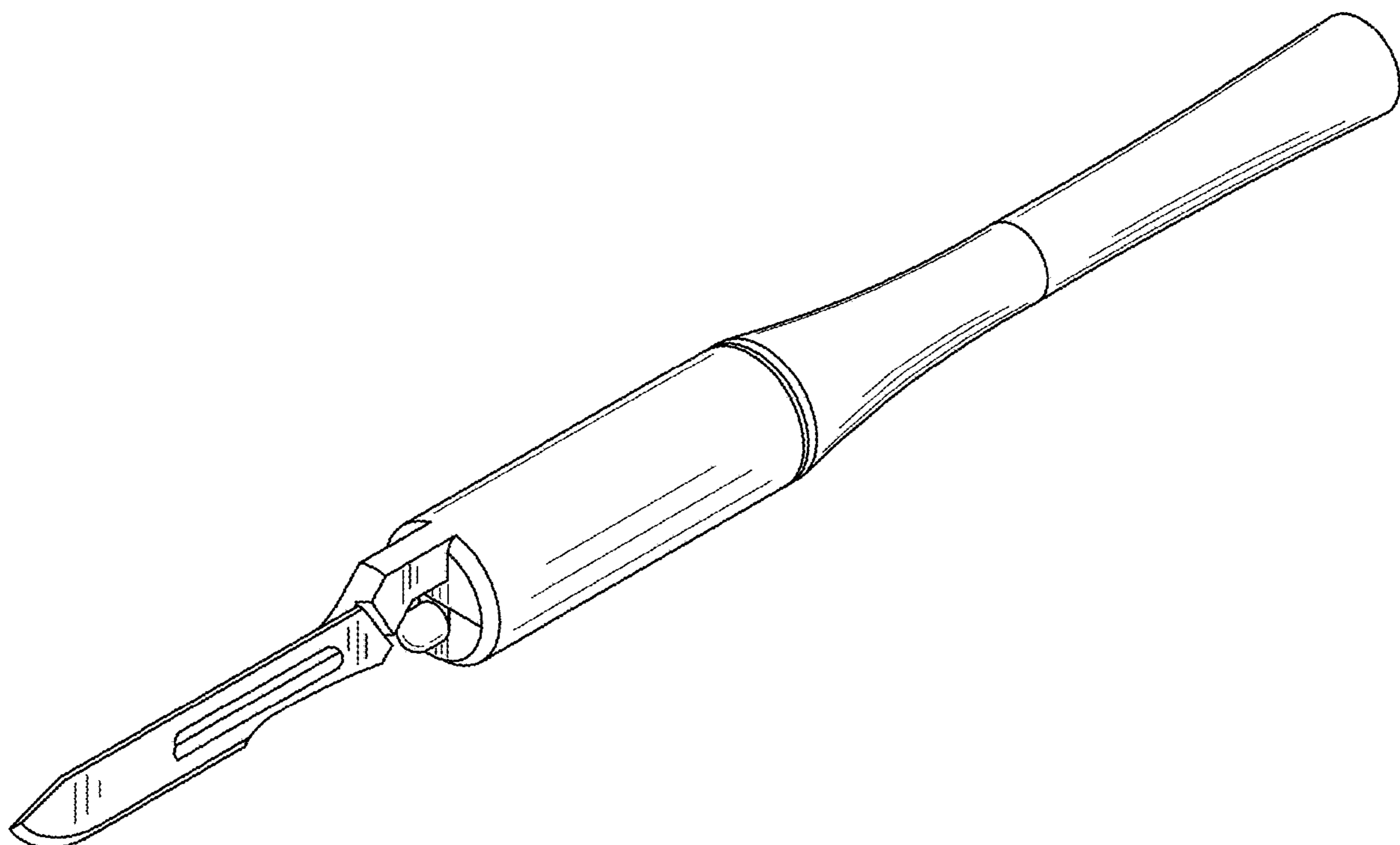
(57) **CLAIM**

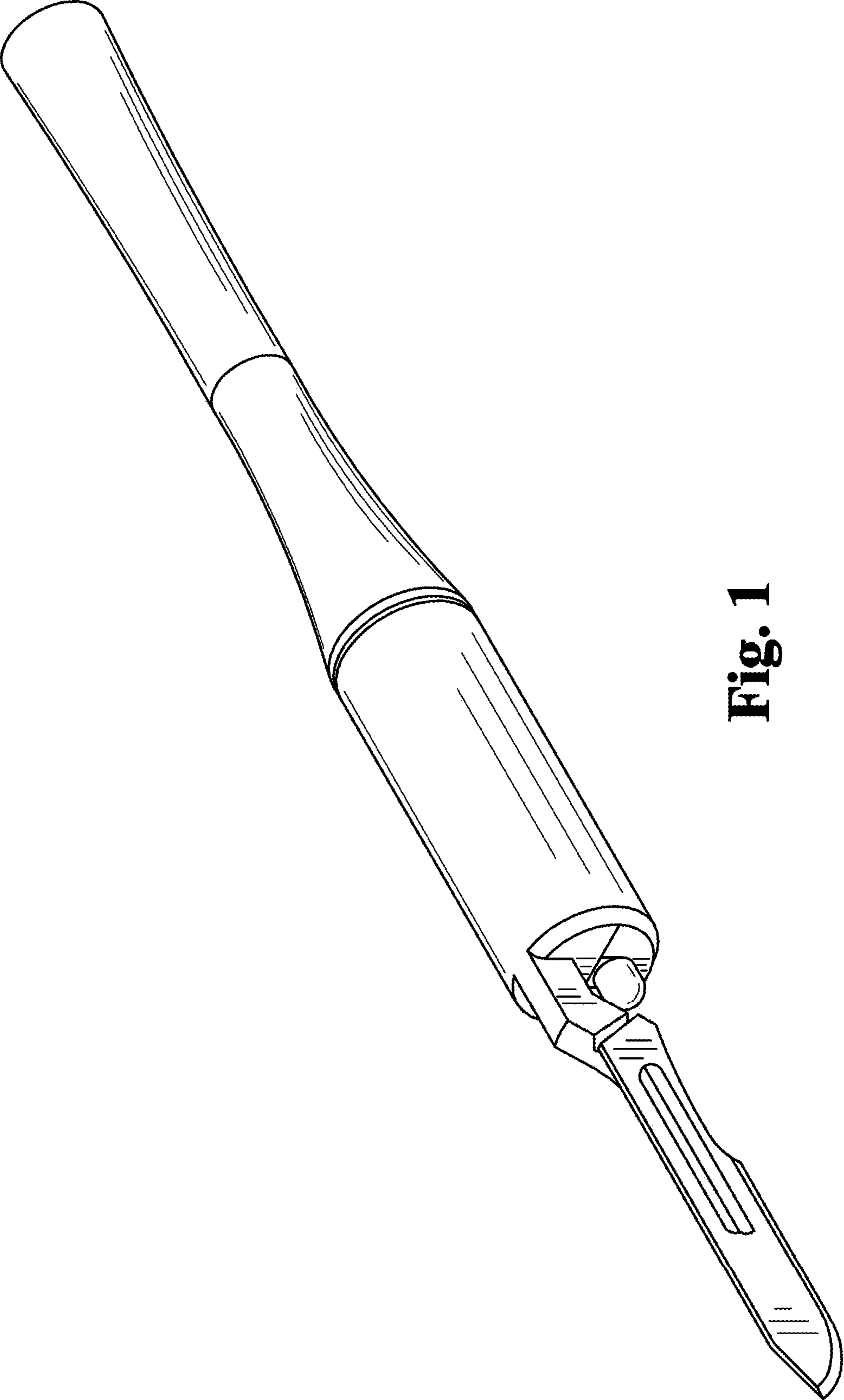
The ornamental design for a scalpel, as shown and described.

**DESCRIPTION**

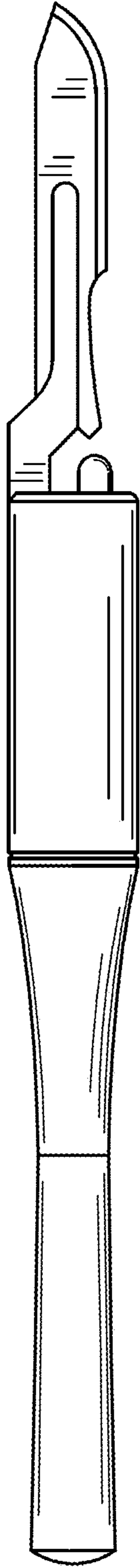
FIG. 1 is a perspective view of a scalpel with attached blade showing my new design;  
FIG. 2 is a right side view of the scalpel with attached blade;  
FIG. 3 is a left side view of the scalpel with attached blade;  
FIG. 4 is a top view of the scalpel with attached blade;  
FIG. 5 is a bottom view of the scalpel with attached blade;  
FIG. 6 is a rear view of the scalpel with attached blade; and,  
FIG. 7 is a front view of the scalpel with attached blade.

**1 Claim, 3 Drawing Sheets**

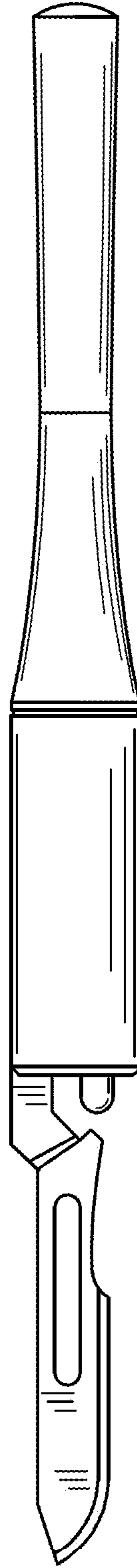




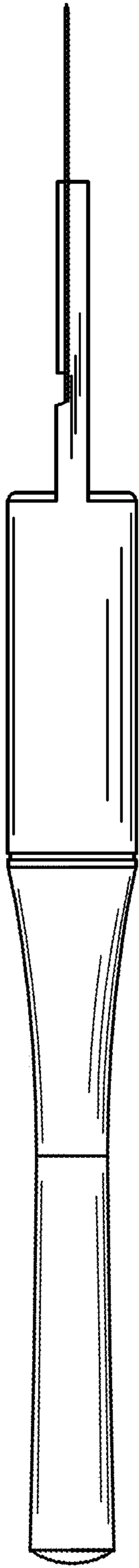
**Fig. 1**



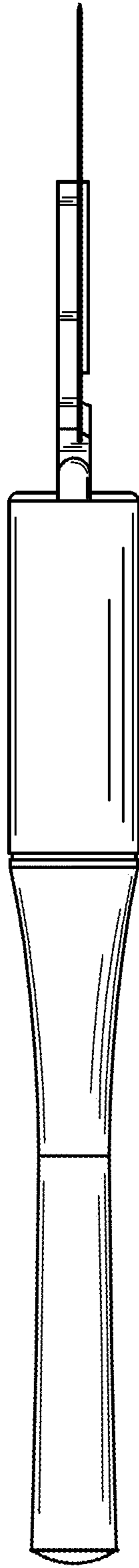
**Fig. 2**



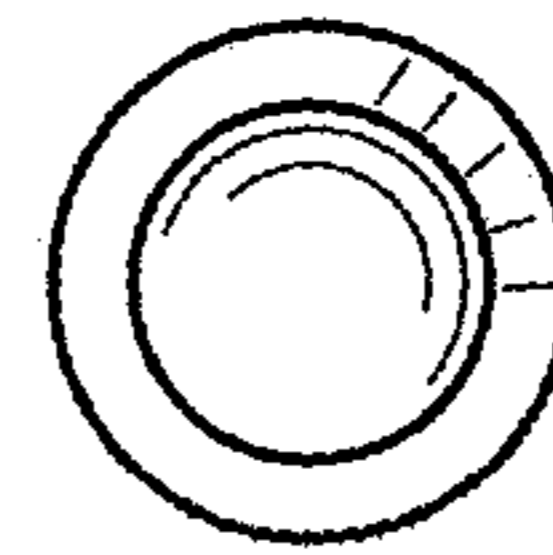
**Fig. 3**



**Fig. 4**



**Fig. 5**



**Fig. 6**



**Fig. 7**