



US00D928953S

(12) **United States Design Patent**
Kim

(10) **Patent No.:** **US D928,953 S**

(45) **Date of Patent:** **** Aug. 24, 2021**

(54) **MARKER FOR SURGICAL INSTRUMENT**

(71) Applicant: **KOH YOUNG TECHNOLOGY INC.,**
Seoul (KR)

(72) Inventor: **Wan Sik Kim,** Yongin-si (KR)

(73) Assignee: **KOH YOUNG TECHNOLOGY INC.,**
Seoul (KR)

(**) Term: **15 Years**

(21) Appl. No.: **29/686,575**

(22) Filed: **Apr. 5, 2019**

(30) **Foreign Application Priority Data**

Oct. 5, 2018 (KR) 30-2018-0046058

(51) **LOC (13) Cl.** **24-02**

(52) **U.S. Cl.**
USPC **D24/140**

(58) **Field of Classification Search**

USPC D24/107, 128, 133, 135, 140, 143, 146,
D24/147, 149, 155, 171; 606/53, 87, 96,
606/98, 102, 167; 600/218; D8/71, 72
CPC A61B 17/00; A61B 17/15; A61B 17/17;
A61B 17/32; A61B 17/1775; A61B
34/10; A61B 34/20; A61F 2002/4687;
A61M 2025/024; A61M 25/00; A61M
25/02; A61M 5/1418

See application file for complete search history.

(56) **References Cited**

U.S. PATENT DOCUMENTS

D277,165 S * 1/1985 DeVroom D24/143
D623,292 S * 9/2010 Kubota D24/140

10,111,650 B2 * 10/2018 Nel A61B 17/02
D860,450 S * 9/2019 Asfora D24/140
2007/0219559 A1 * 9/2007 Heavener A61B 17/1764
606/87
2010/0212138 A1 * 8/2010 Carroll B29C 64/386
29/446
2013/0096563 A1 * 4/2013 Meade A61B 17/157
606/88
2013/0190765 A1 * 7/2013 Harris A61F 2/4684
606/87
2015/0045801 A1 * 2/2015 Axelson, Jr. A61B 17/15
606/88
2017/0156741 A1 * 6/2017 Liu A61B 17/1764

* cited by examiner

Primary Examiner — Wan Laymon

Assistant Examiner — Clint A Samuel

(74) *Attorney, Agent, or Firm* — Hamre, Schumann,
Mueller & Larson, P.C.

(57) **CLAIM**

The ornamental design for a marker for surgical instrument,
as shown and described.

DESCRIPTION

FIG. 1 is a perspective view of a marker for surgical
instrument showing my new design;
FIG. 2 is a front elevational view thereof;
FIG. 3 is a rear elevational view thereof;
FIG. 4 is left side view thereof;
FIG. 5 is a right side view thereof;
FIG. 6 is a top plan view thereof; and,
FIG. 7 is a bottom plan view thereof.

The broken line showing in the drawings is included for the
purpose of illustrating portions of the marker for surgical
instrument and forms no part of the claimed design.

1 Claim, 6 Drawing Sheets

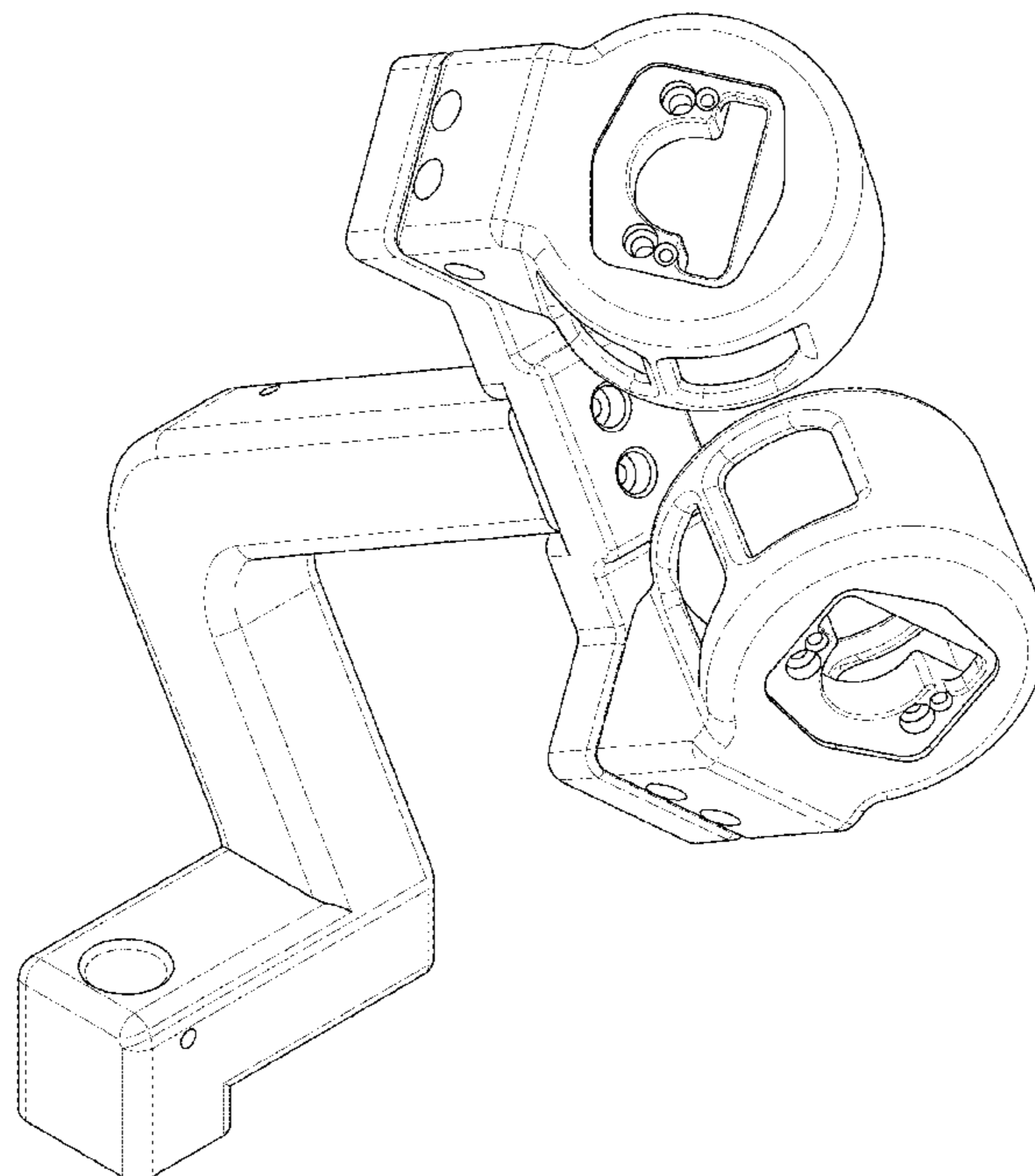


Fig. 1

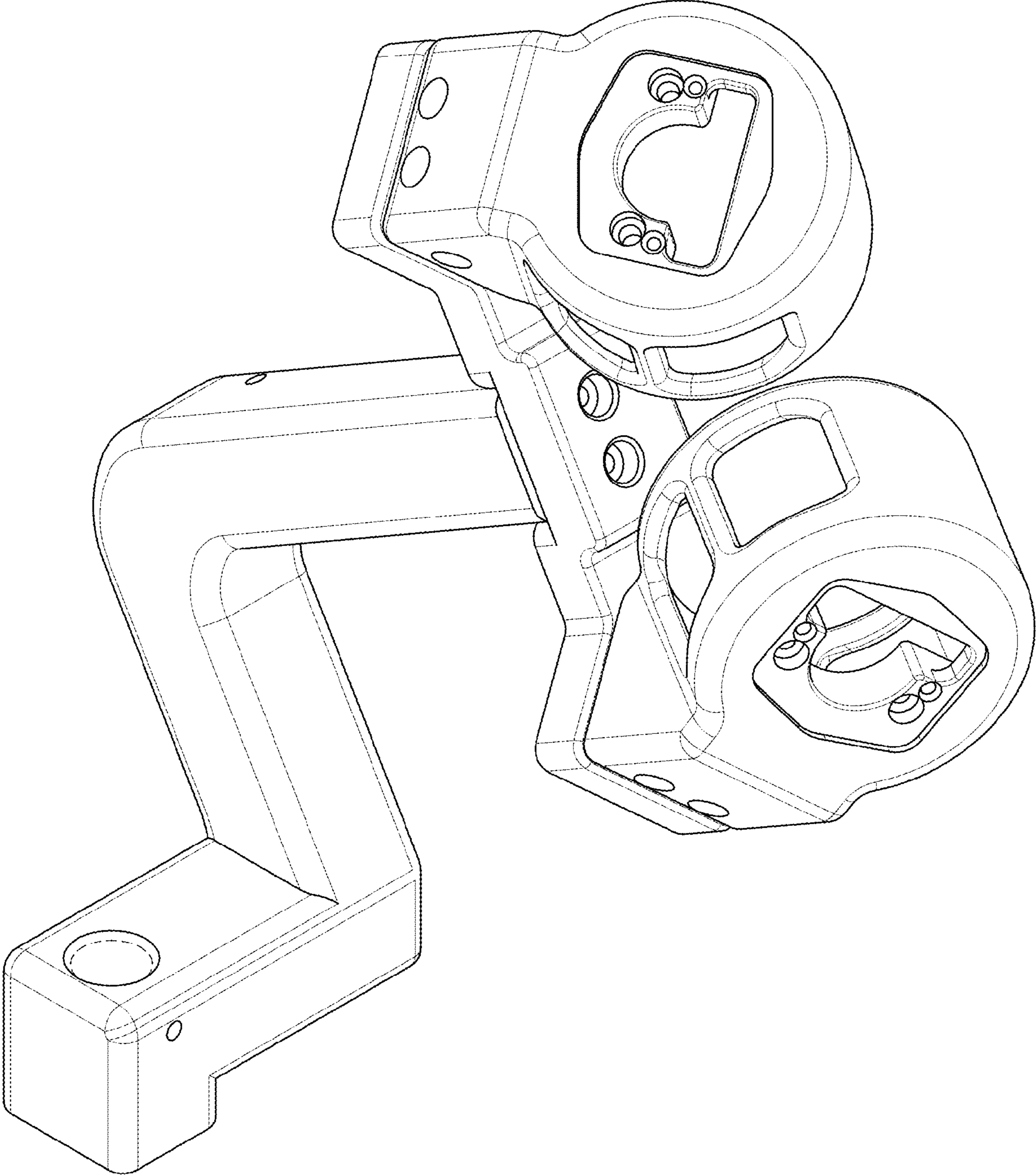


Fig. 2

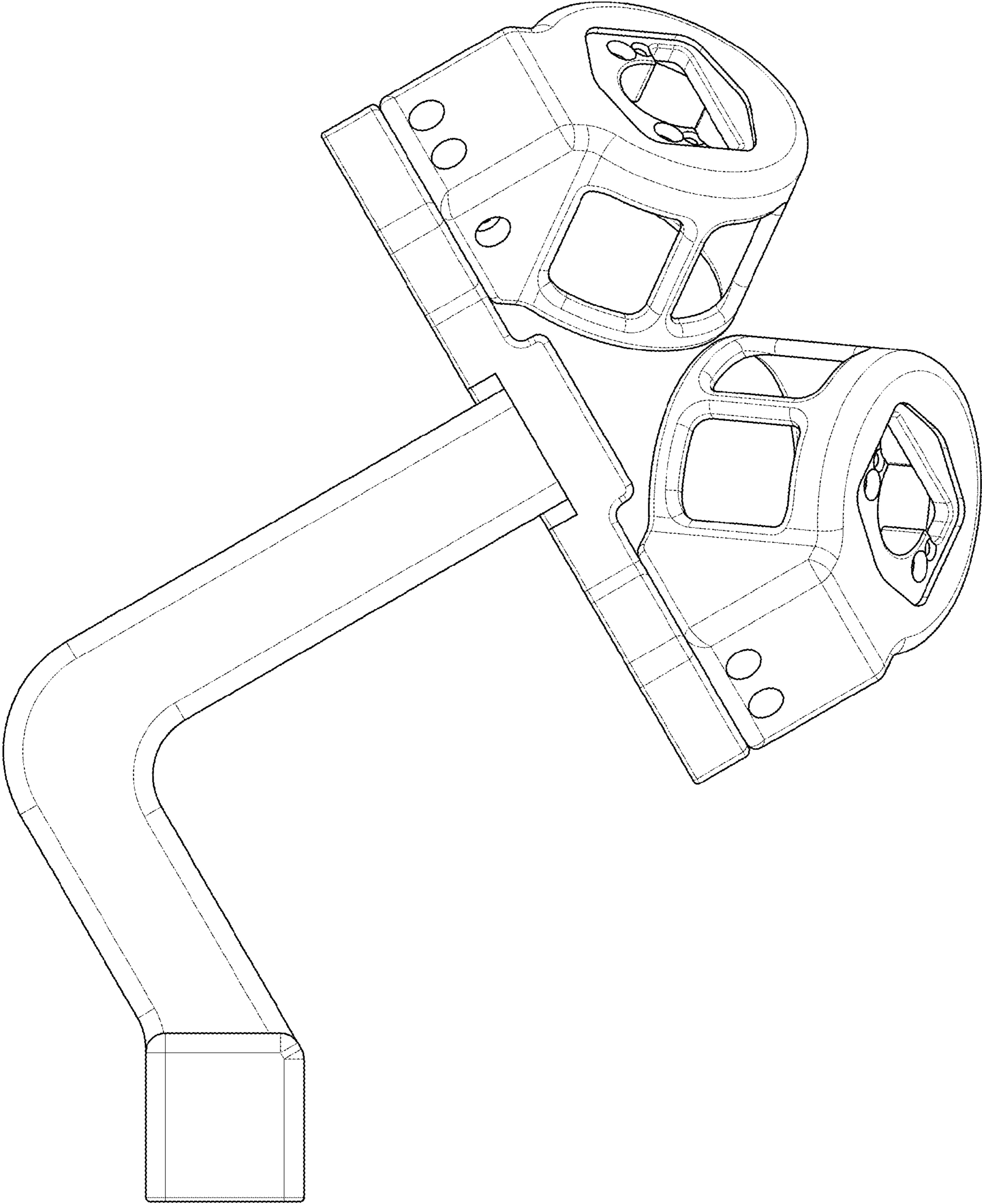


Fig. 3

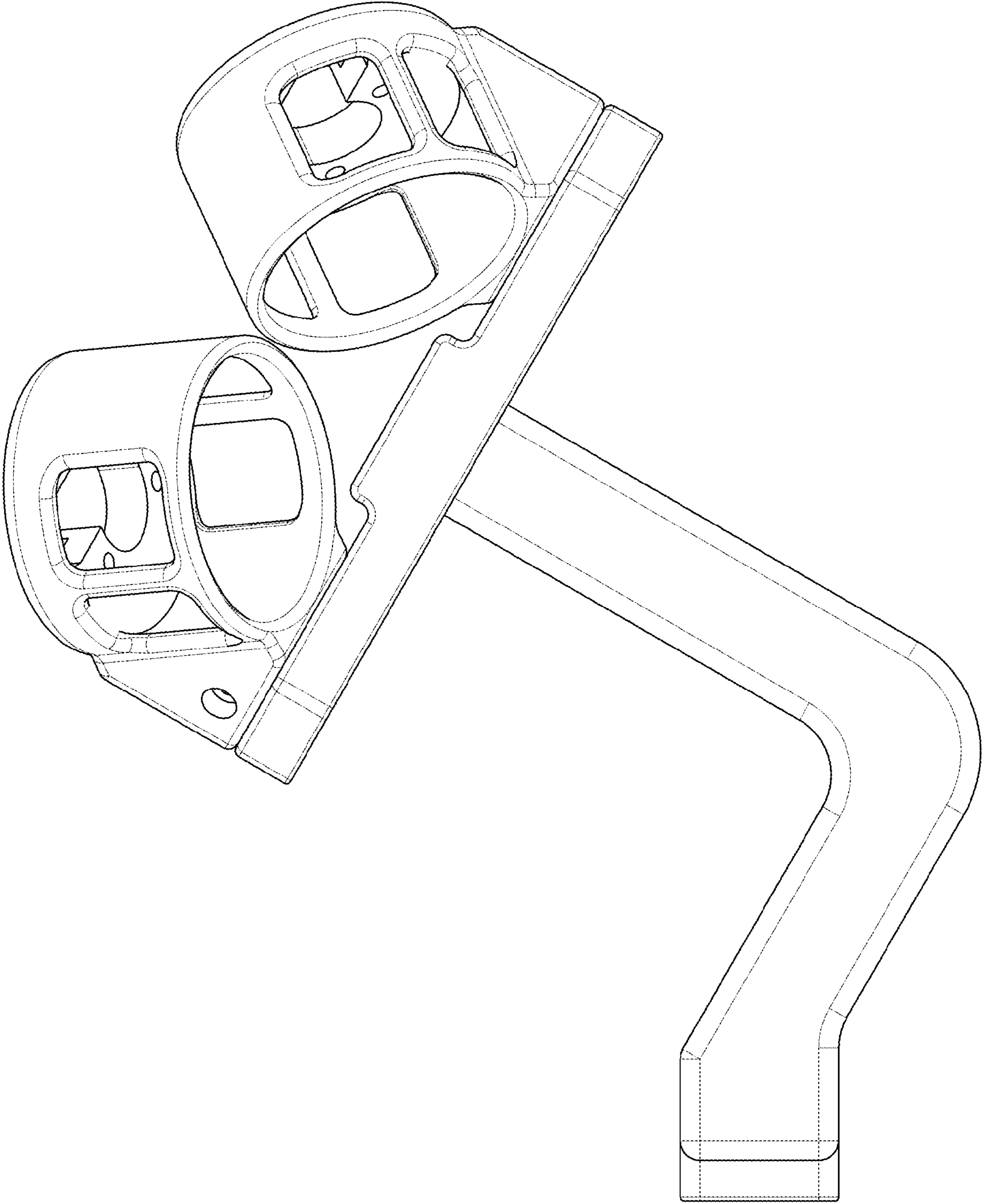


Fig. 4

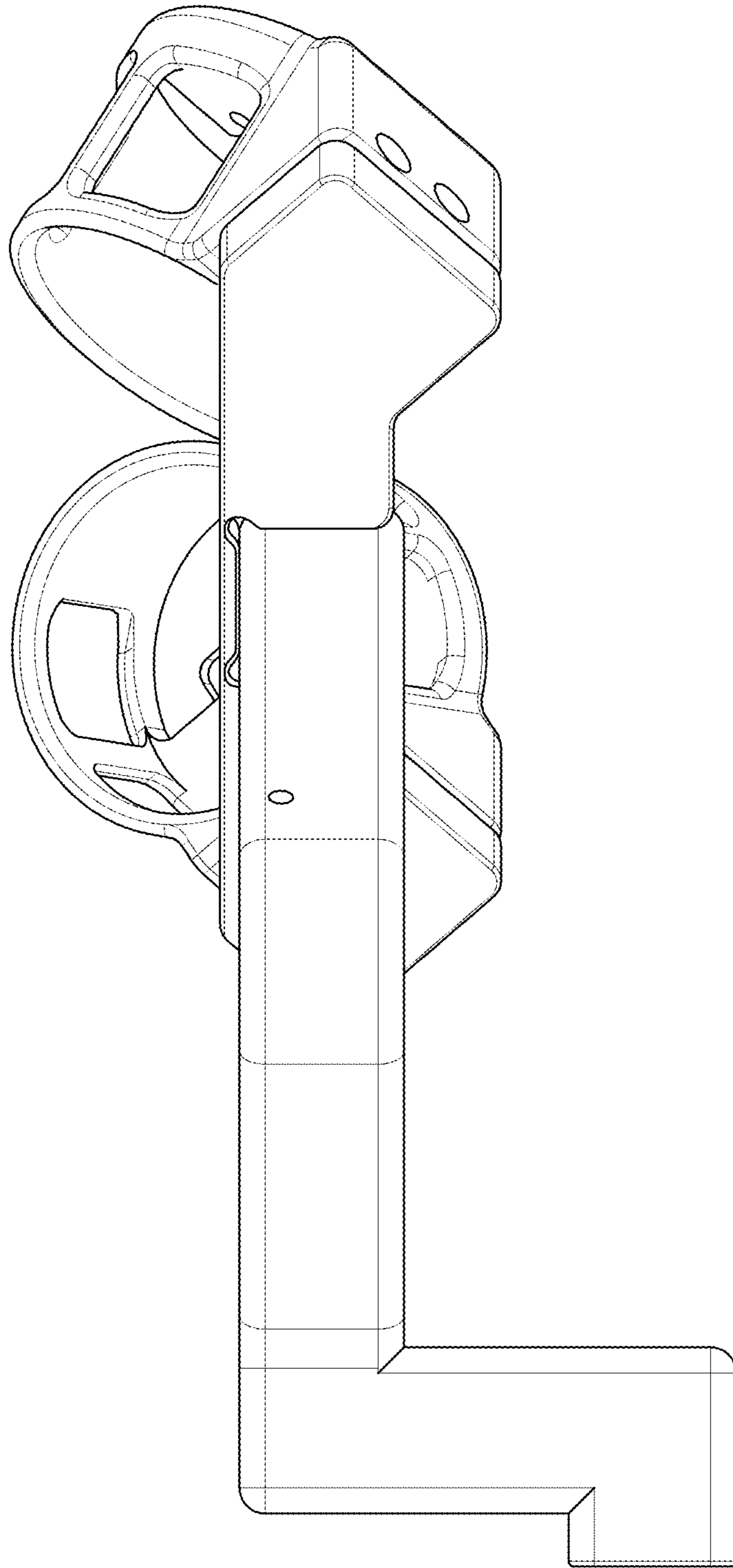


Fig. 5

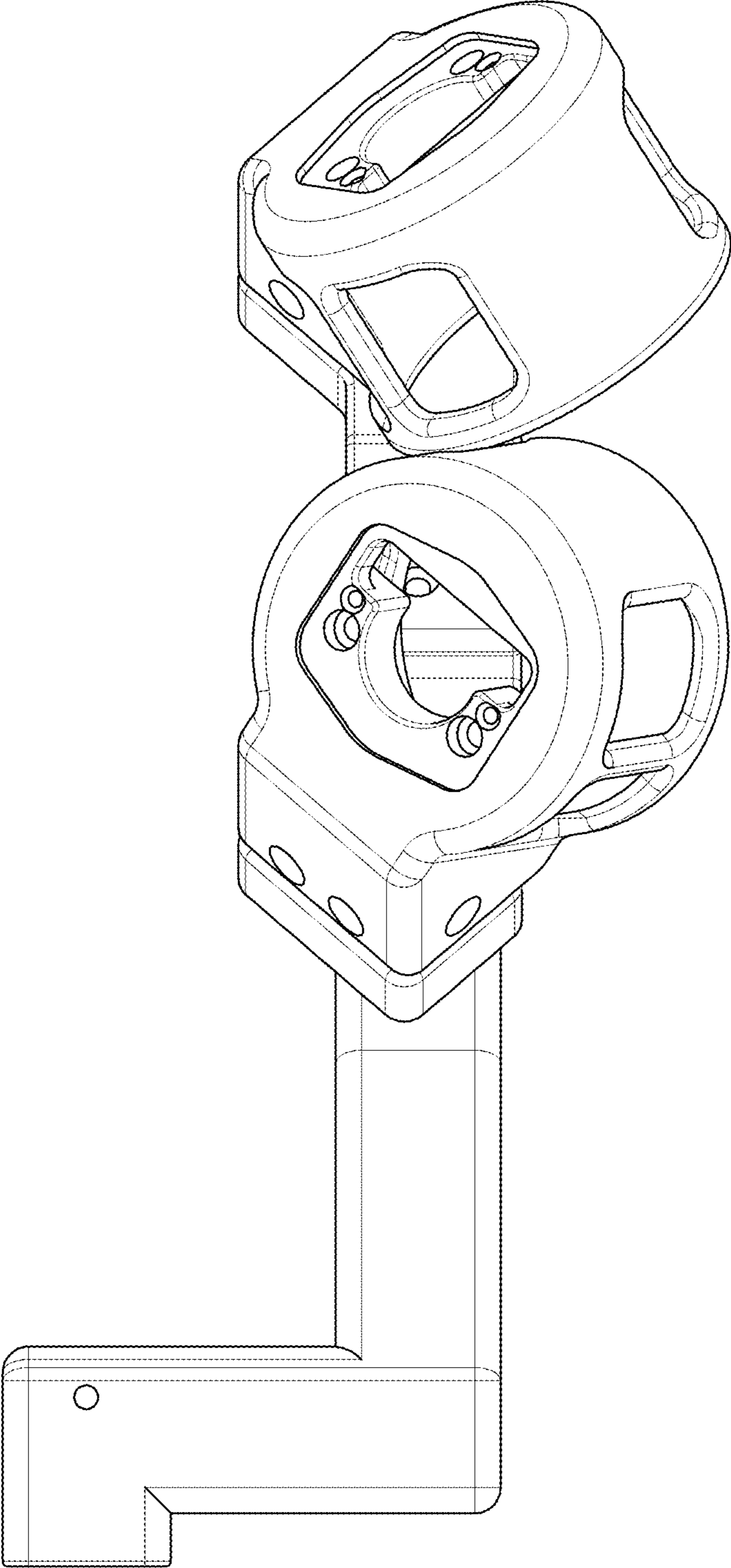


Fig. 6

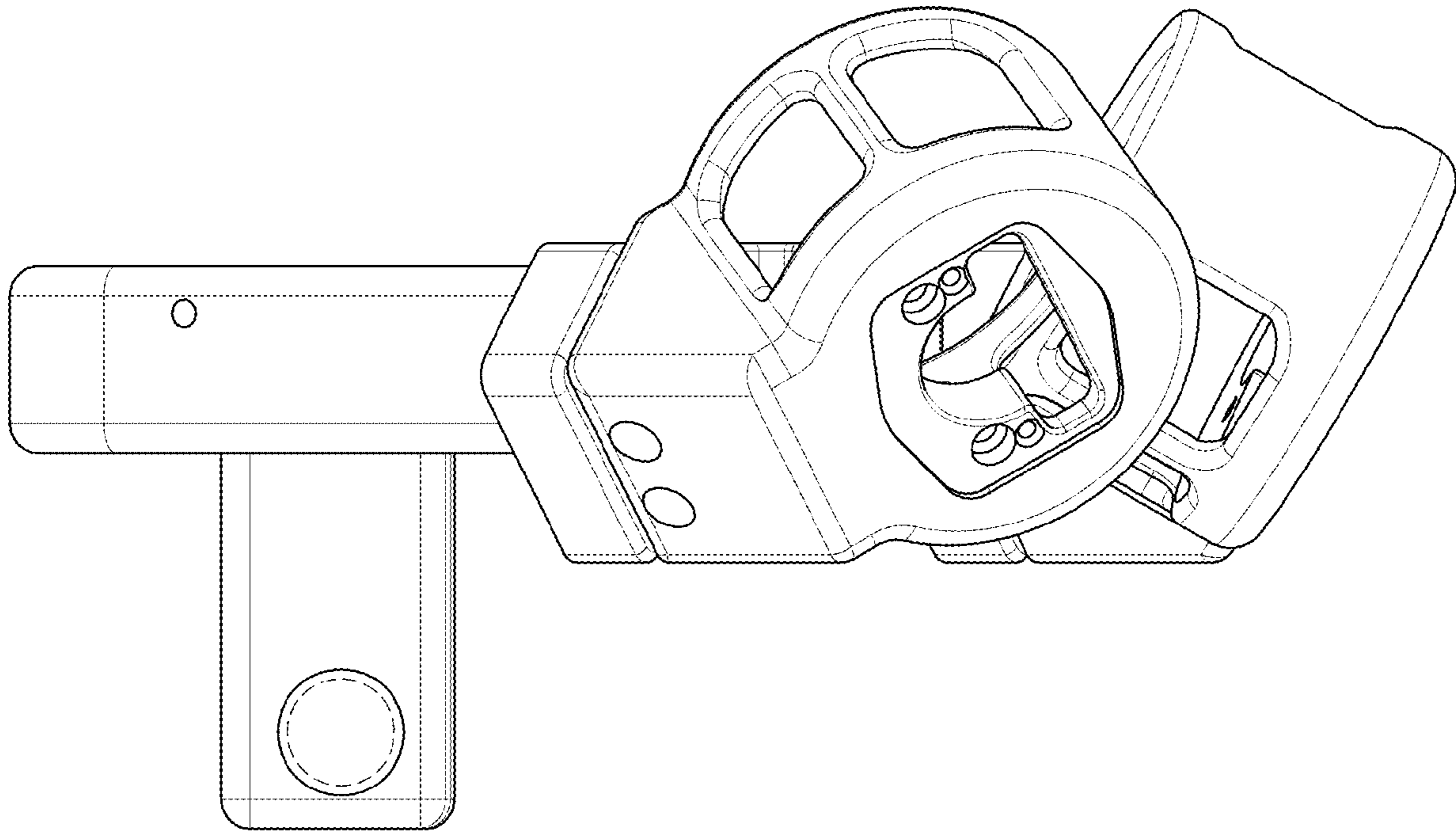


Fig. 7

