



US00D928951S

(12) **United States Design Patent** (10) **Patent No.:** **US D928,951 S**
Verschoor et al. (45) **Date of Patent:** **** Aug. 24, 2021**

(54) **DOCKING DEVICE FOR FIXATION DEVICE FOR MEDICAL OPTICAL FIBER**

(71) Applicant: **KONINKLIJKE PHILIPS N.V.**,
Eindhoven (NL)
(72) Inventors: **Volker Barnhart Verschoor**,
Eindhoven (NL); **Adrianus Johannes Josephus Van Der Horst**, Vught (NL);
Andrew Mitchell, Eindhoven (NL)

(73) Assignee: **KONINKLIJKE PHILIPS N.V.**,
Eindhoven (NL)

(**) Term: **15 Years**

(21) Appl. No.: **29/702,846**

(22) Filed: **Aug. 22, 2019**

Related U.S. Application Data

(62) Division of application No. 35/504,452, filed on Aug. 14, 2017 (U.S. filing date under 35 U.S.C. 384), and having an international filing date of Aug. 14, 2017, now Pat. No. Des. 857,704.

(30) **Foreign Application Priority Data**

Mar. 9, 2017 (EM) 003790286

(51) **LOC (13) Cl.** **24-01**

(52) **U.S. Cl.**
USPC **D24/137; D24/186**

(58) **Field of Classification Search**
USPC D24/107, 158–160, 185–187, 137, 138,
D24/128; D8/349, 354
CPC A61B 1/00186; A61B 1/042; A61B 1/043;
A61B 1/05; A61B 1/0669; A61B 1/07;
H04N 7/183

See application file for complete search history.

(56) **References Cited**

U.S. PATENT DOCUMENTS

4,623,217 A * 11/1986 Hallen A61B 1/07
362/581
D511,008 S * 10/2005 Ryan D24/186
D697,625 S * 1/2014 Montgomery D24/186
D902,212 S * 11/2020 Sjogren D14/434
D904,412 S * 12/2020 Qiu D14/434

OTHER PUBLICATIONS

Philips Developing X-ray Free Oath Lab Imaging to Replace or Supplement Angiography. Diagonostic Intervention C ardiogogy. Mar. 12, 2020.*

* cited by examiner

Primary Examiner — Anhdao Doan

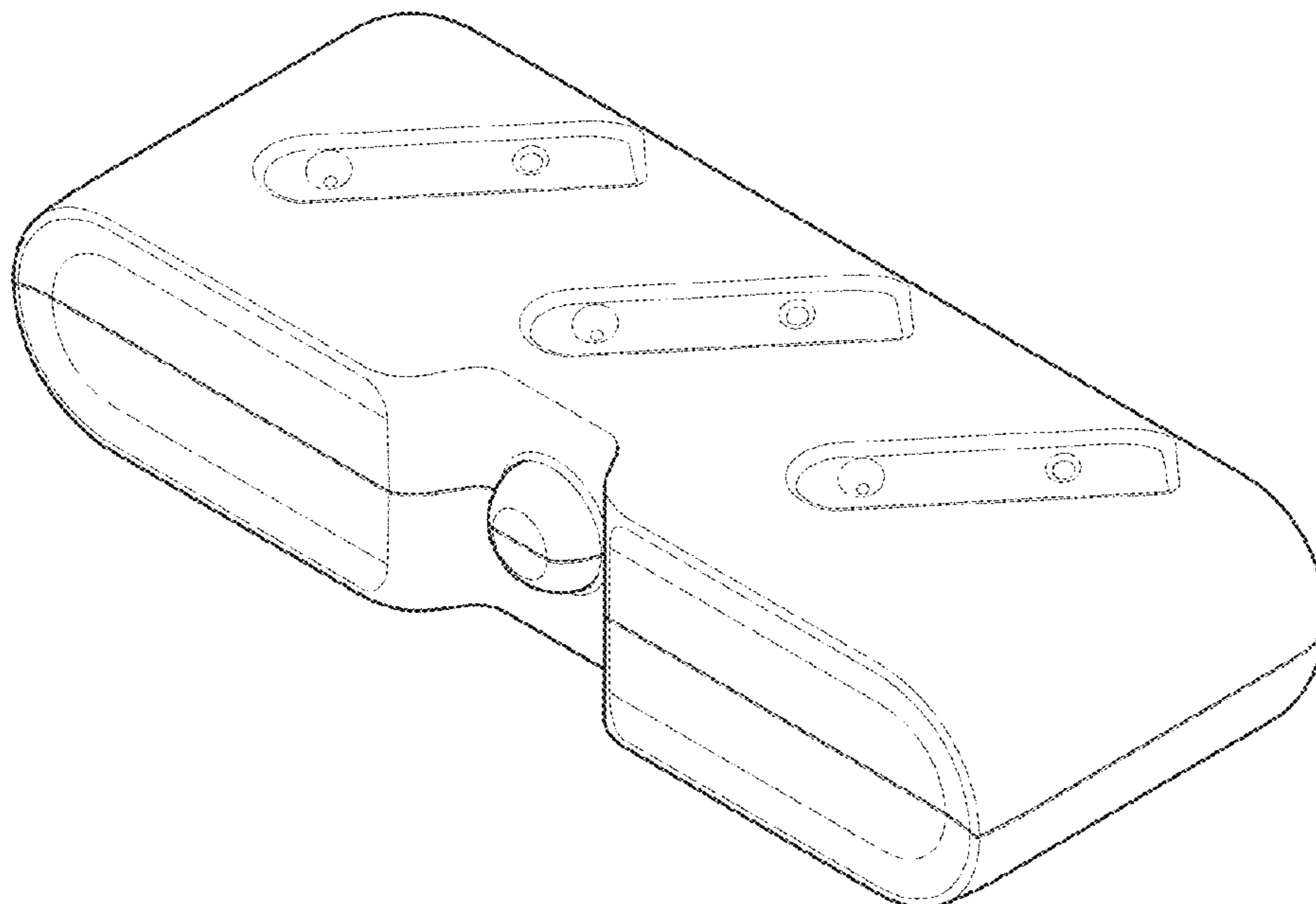
(57) **CLAIM**

The ornamental design for a docking device for fixation device for medical optical fiber, as shown and described.

DESCRIPTION

FIG. 1 is a perspective view showing our design; FIG. 2 is a front elevational view thereof; FIG. 3 is a rear elevational view thereof; FIG. 4 is a right side elevational view thereof; FIG. 5 is a left side elevational view thereof; FIG. 6 is a top plan view thereof; and, FIG. 7 is a bottom plan view thereof. The broken lines depict portions of the docking device for fixation device for medical optical fiber that form no part of the claimed design.

1 Claim, 4 Drawing Sheets



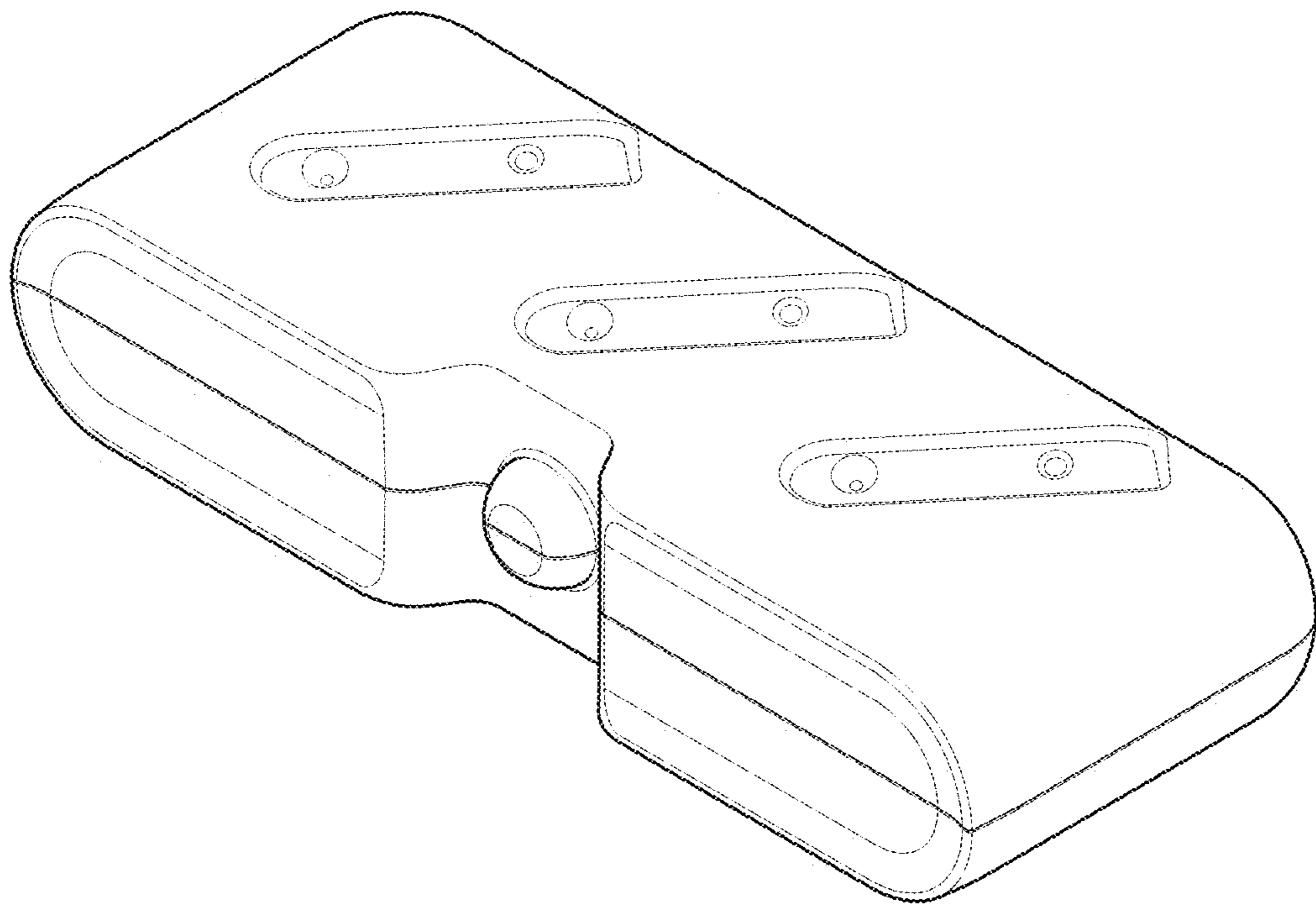


FIG. 1

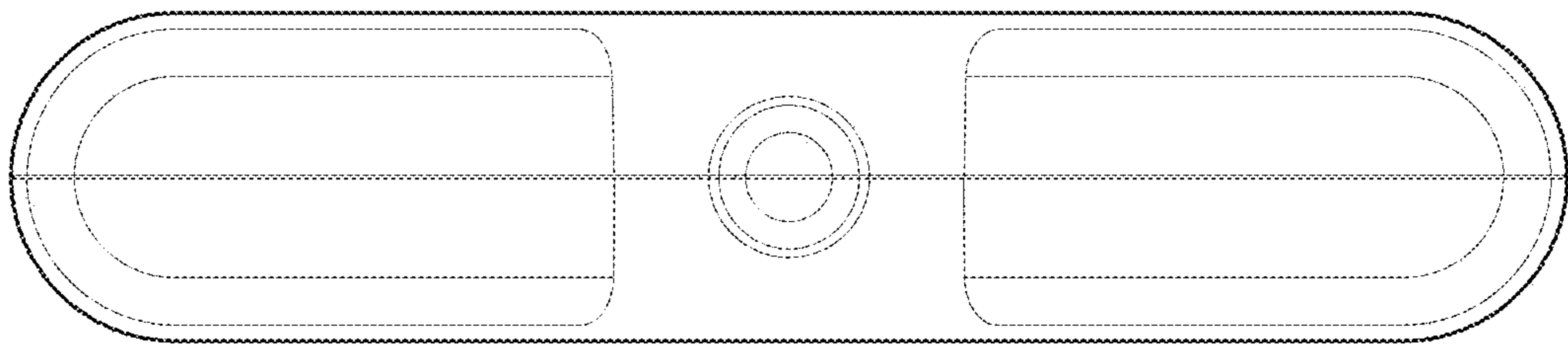


FIG. 2

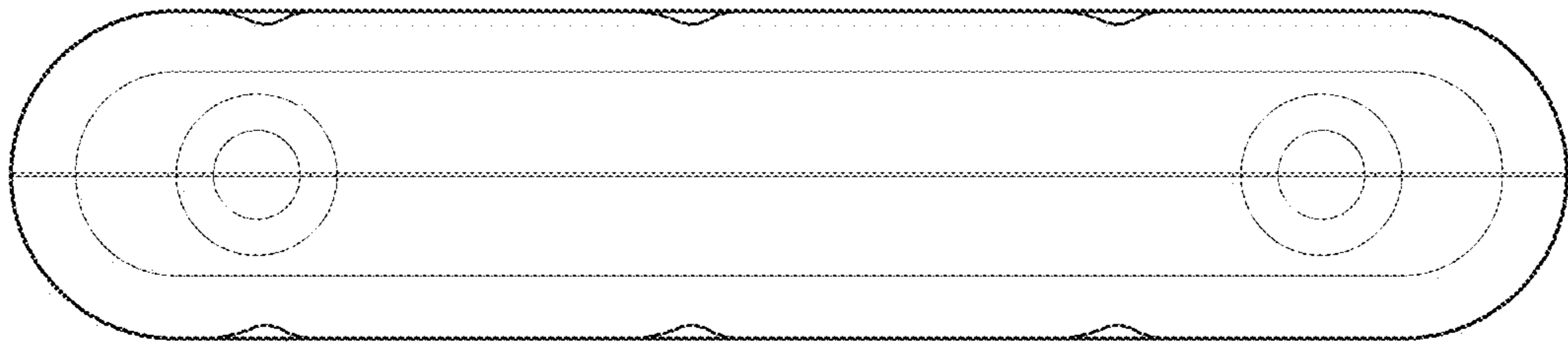


FIG. 3

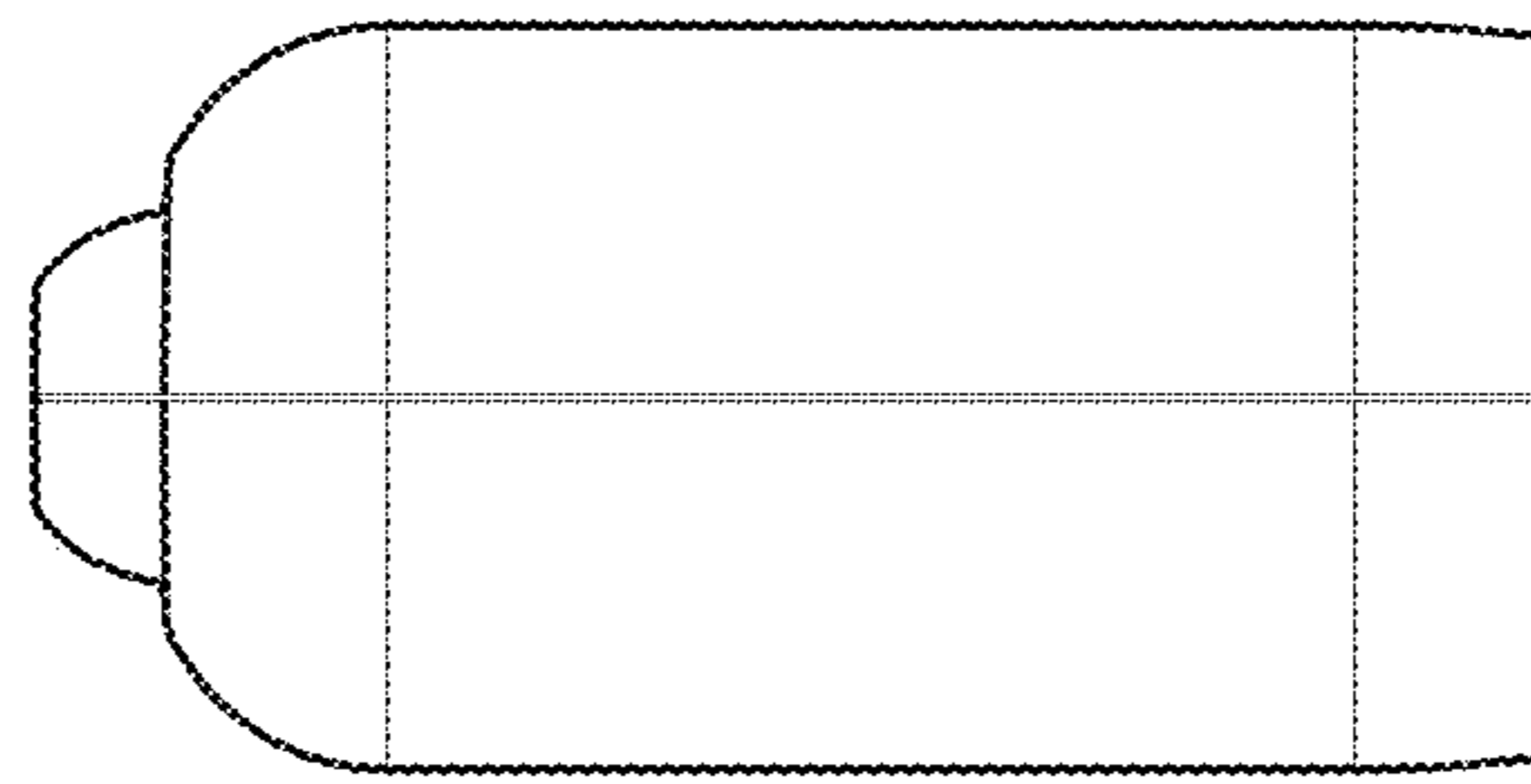


FIG. 4

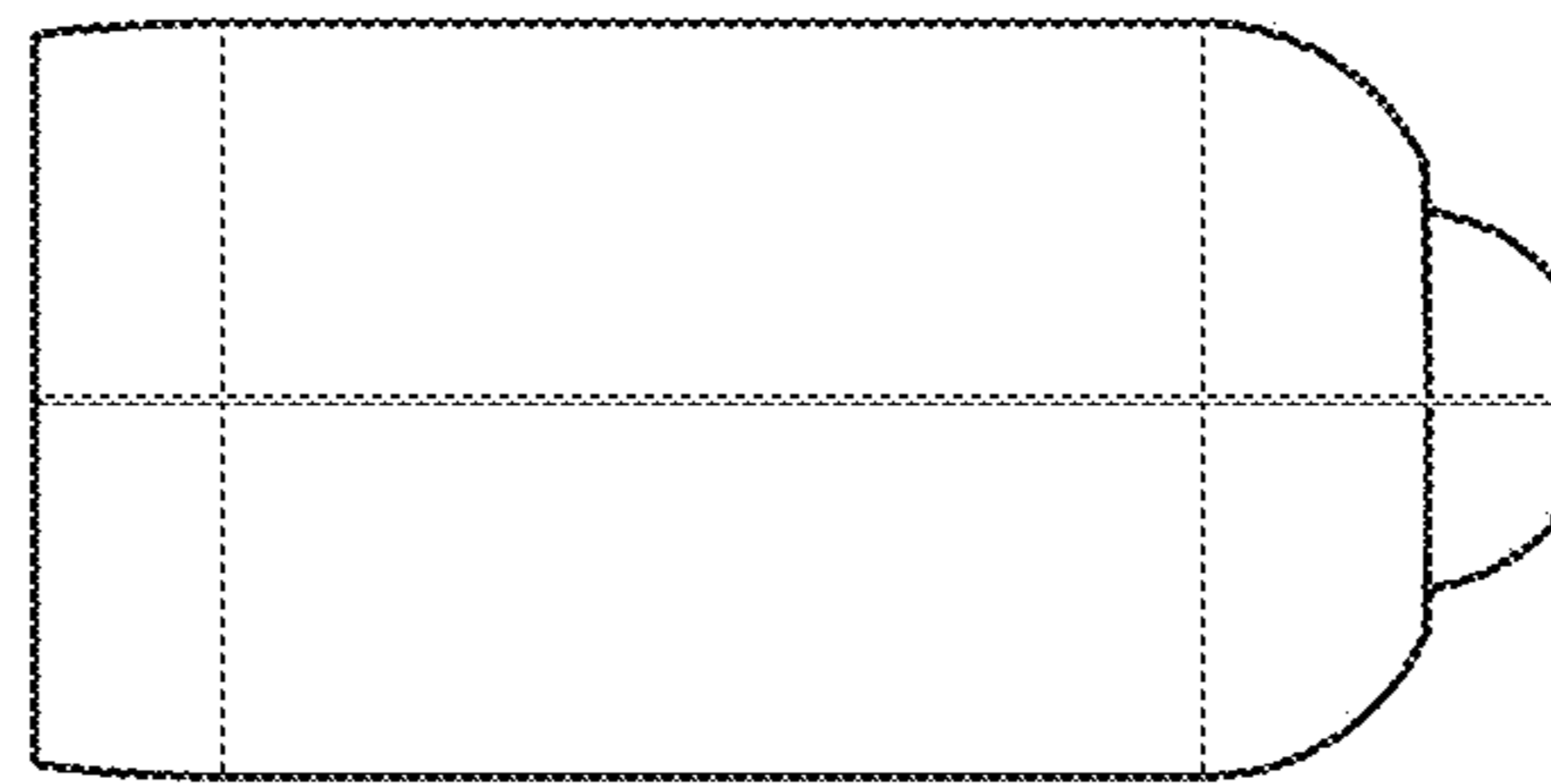


FIG. 5

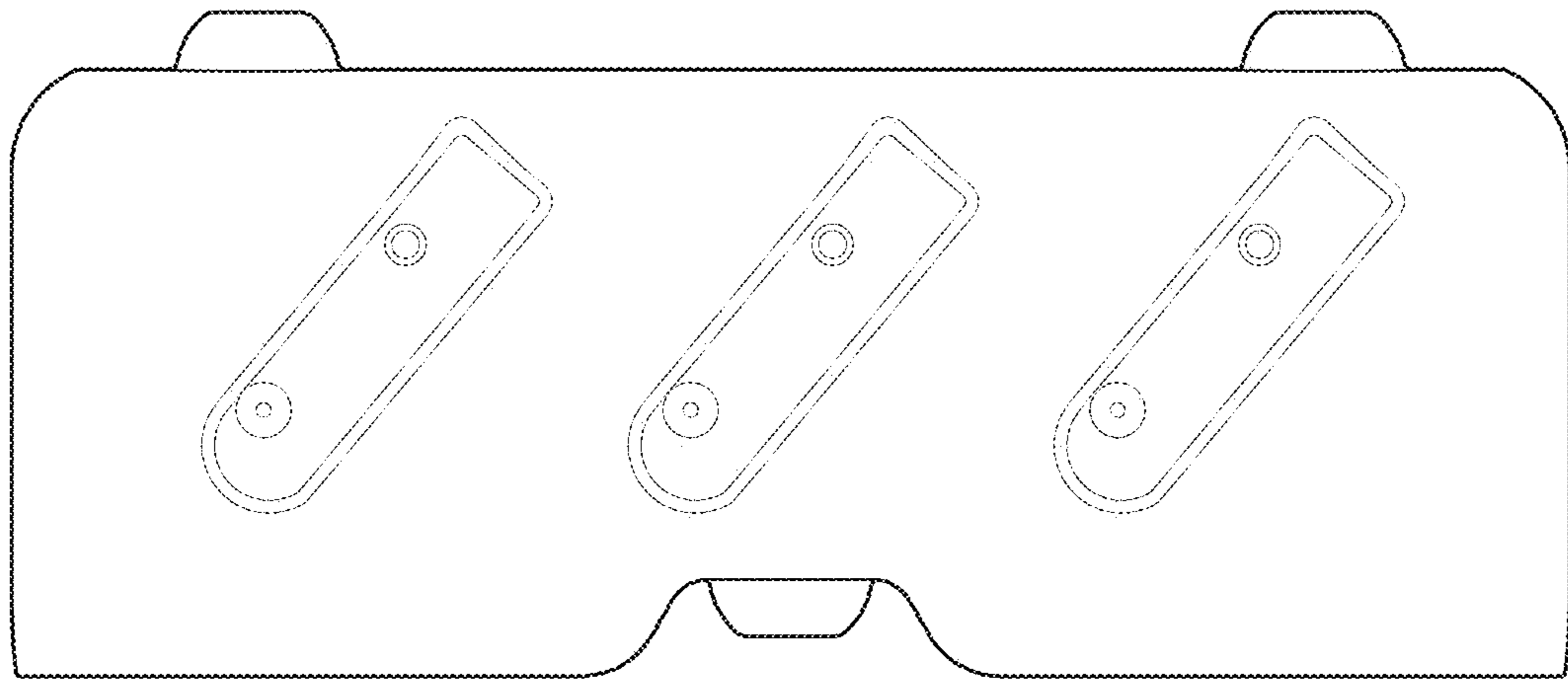


FIG. 6

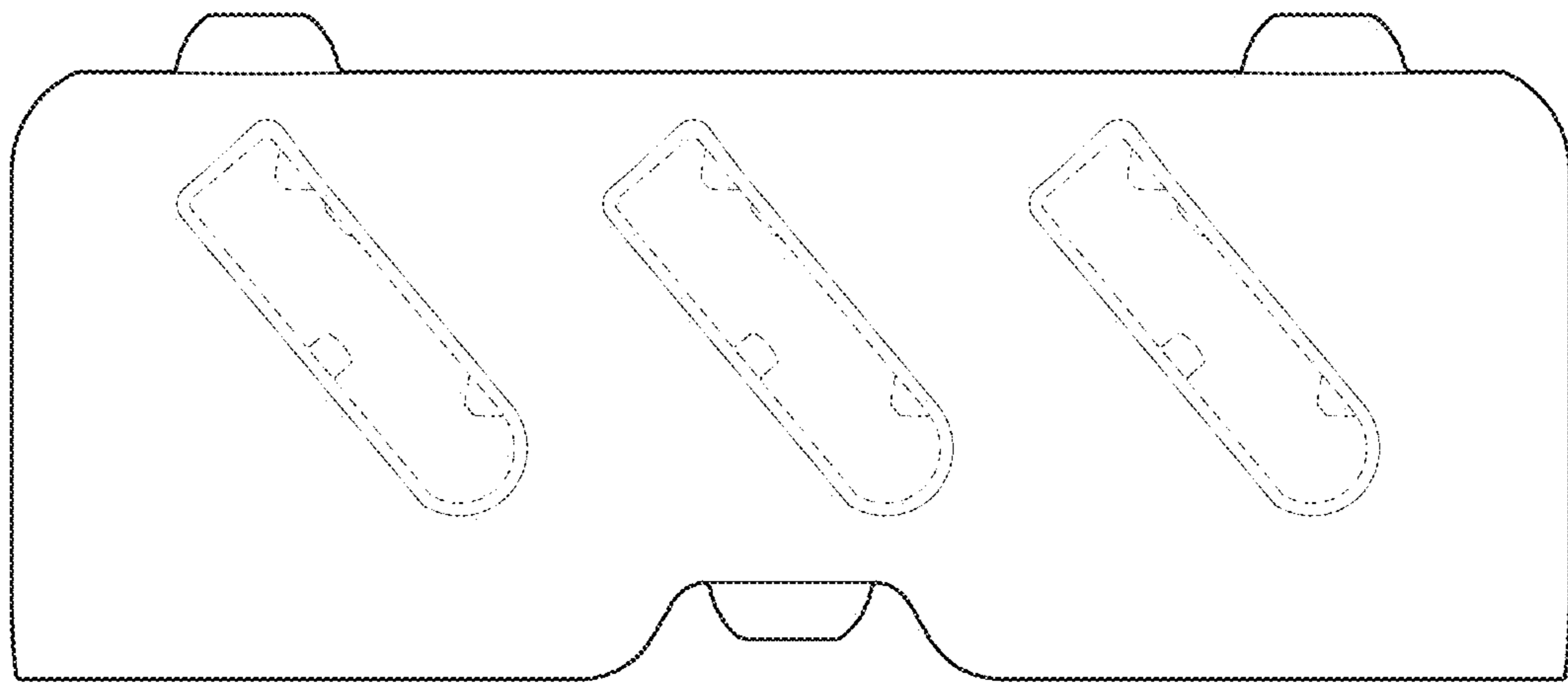


FIG. 7