



US00D928950S

(12) **United States Design Patent**
Sweitzer et al.

(10) **Patent No.:** **US D928,950 S**

(45) **Date of Patent:** **** Aug. 24, 2021**

- (54) **T HANDLE WITH MALE HUB**
- (71) Applicant: **Shukla Medical**, St. Petersburg, FL (US)
- (72) Inventors: **Zachary Robert Sweitzer**, Keyport, NJ (US); **Lindsey Anne Charbonneau**, Bay City, MI (US)
- (73) Assignee: **Shukla Medical**, St. Petersburg, FL (US)
- (**) Term: **15 Years**
- (21) Appl. No.: **29/707,828**
- (22) Filed: **Oct. 1, 2019**
- (51) **LOC (13) Cl.** **24-02**
- (52) **U.S. Cl.**
USPC **D24/133**
- (58) **Field of Classification Search**
USPC D24/108, 112, 113, 114, 115, 116, 117, D24/127, 133, 134, 136, 137, 138, 143, D24/145, 200, 144, 147; D8/14, 16, 19, D8/21, 82, 83, 84, 85, 86, 107, 34, 300, D8/303, 314, 372, 374, 394, 77
CPC A61M 25/0136; A61B 17/00; A61B 17/62; A61B 17/64; A61B 17/645; A47J 43/26; B25B 13/463; B25B 13/468; B25B 15/04; B25B 1/00; B25G 1/005; B25G 1/085
See application file for complete search history.

- (56) **References Cited**
U.S. PATENT DOCUMENTS
109,958 A * 12/1870 Smith B67B 7/12 81/3.48
297,232 A * 4/1884 Curley B67B 7/12 81/3.48
350,702 A * 10/1886 Schollhorn B65D 51/243 215/226
476,777 A * 6/1892 Beust B65D 51/243 215/226

- 1,062,458 A * 5/1913 Hainisch B67B 7/0411 81/3.45
- 2,712,251 A * 7/1955 Hanson B67B 7/0411 81/3.45
- 2,729,124 A * 1/1956 Farandatos B67B 7/08 81/3.2
- D239,362 S * 3/1976 Peterson D8/42
- D243,315 S * 2/1977 Smith D8/77
- 4,291,597 A * 9/1981 Allen B67B 7/0447 81/3.48
- 4,377,096 A * 3/1983 Allen B67B 7/0447 81/3.36

(Continued)

Primary Examiner — T Chase Nelson
Assistant Examiner — Kelly L Gross
(74) *Attorney, Agent, or Firm* — Kim IP Law Group LLC

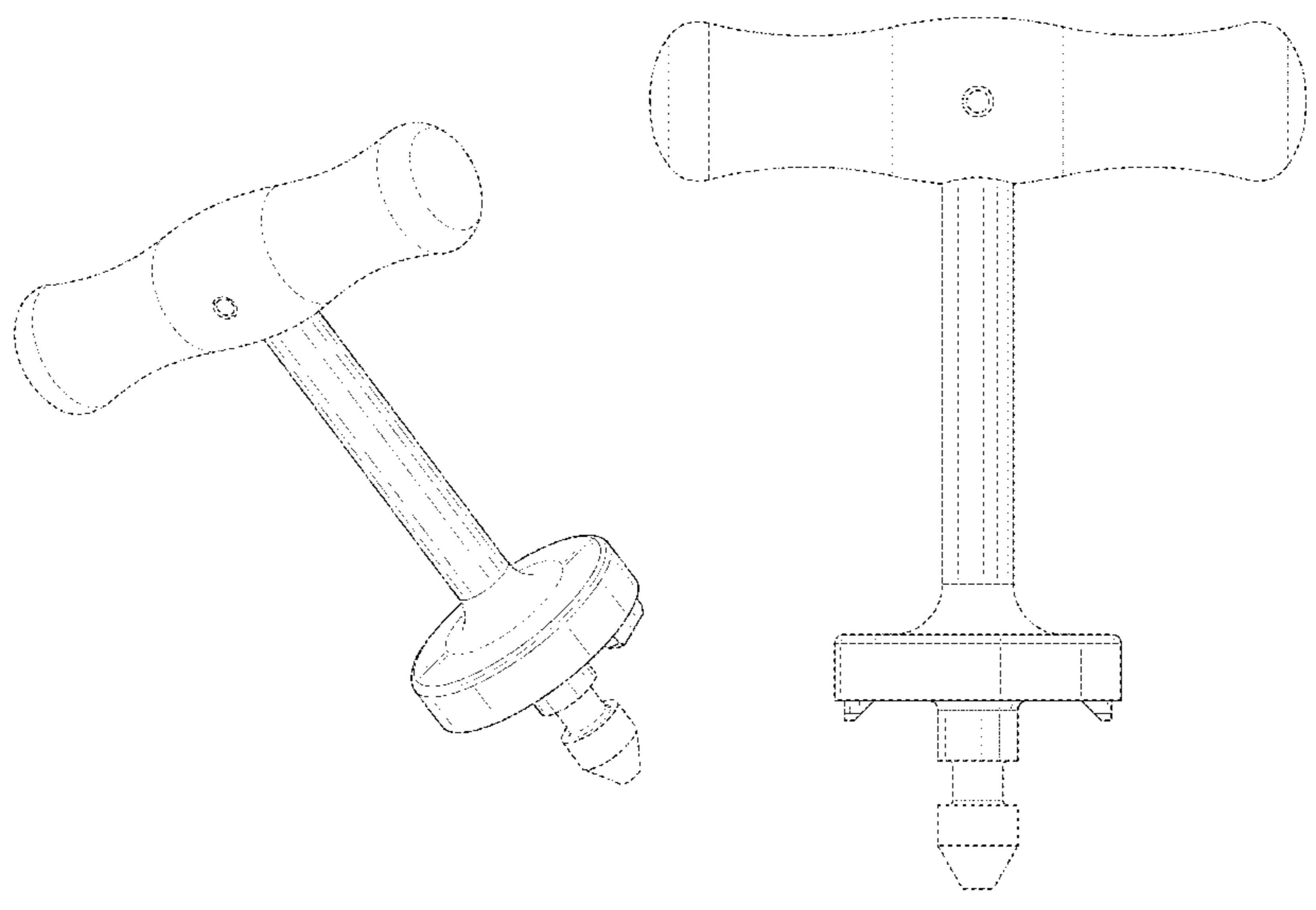
(57) **CLAIM**

The ornamental design for a T handle with male hub, as shown and described.

DESCRIPTION

FIG. 1 is a perspective view of a T handle with male hub in accordance with the new design;
FIG. 2 is a left side view of the T handle with male hub of FIG. 1;
FIG. 3 is a right side view of the T handle with male hub of FIG. 1;
FIG. 4 is a front view of the T handle with male hub of FIG. 1;
FIG. 5 is a rear view of the T handle with male hub of FIG. 1;
FIG. 6 is a top view of the T handle with male hub of FIG. 1; and,
FIG. 7 is a bottom view of the T handle with male hub of FIG. 1.
The broken lines in the figures are directed to portions of the T handle with male hub that form no part of the claimed design.

1 Claim, 7 Drawing Sheets



(56)

References Cited

U.S. PATENT DOCUMENTS

5,031,486	A *	7/1991	Rydgren	B67B 7/0411				
									81/3.45
D335,811	S *	5/1993	Bengtson	D23/250				
D339,410	S *	9/1993	Gottwald	D23/241				
D353,001	S *	11/1994	Petersen	D24/142				
D356,239	S *	3/1995	Lin	D8/82				
D377,444	S *	1/1997	Lin	D8/107				
D379,229	S *	5/1997	Como Rodriguez	D24/146				
D385,076	S *	10/1997	Milbury	294/26				
D385,285	S *	10/1997	Brown	D15/5				
D391,443	S *	3/1998	Candianides	D7/393				
D394,794	S *	6/1998	Vasudeva	D8/107				
D397,010	S *	8/1998	Usbeck	7/155				
D399,107	S *	10/1998	Murray	D8/31				
D409,463	S *	5/1999	McMullin	D8/21				
D412,547	S *	8/1999	Fong	D21/793				
D419,409	S *	1/2000	Stover, Jr.	D8/45				
D420,885	S *	2/2000	Lin	D8/107				
D426,131	S *	6/2000	Martinez	D8/14				
D439,980	S *	4/2001	Reiley	D24/147				
D448,633	S *	10/2001	Langlois	D8/107				
D450,839	S *	11/2001	Junker	D24/130				
D451,353	S *	12/2001	Challinor	D8/14				
D454,045	S *	3/2002	Rinner	D8/107				
D469,331	S *	1/2003	Hansen	D8/306				
D472,318	S *	3/2003	Solem	D24/146				
D475,262	S *	6/2003	Hsieh	D8/42				
D482,586	S *	11/2003	Puerta	D8/82				
D486,723	S *	2/2004	Chang	D8/21				
D489,456	S *	5/2004	Groenke	D24/133				
D515,802	S *	2/2006	Grierson	D3/7				
D515,859	S *	2/2006	Gilbert	D6/550				
D530,588	S *	10/2006	Wang	D8/107				
D542,622	S *	5/2007	Ricereto	D8/307				
D543,088	S *	5/2007	Ricereto	D8/310				
D543,435	S *	5/2007	Roberts, III	D8/308				
D544,201	S *	6/2007	Berl	D3/12				
D546,149	S *	7/2007	Chen	D8/27				
D547,624	S *	7/2007	Strahorn	D8/21				
D552,949	S *	10/2007	Strahorn	D8/21				
D554,455	S *	11/2007	Ranieri	D8/107				
D555,445	S *	11/2007	Strahorn	D8/21				
D557,584	S *	12/2007	Gao	D8/107				
D564,323	S *	3/2008	Zubiaurre Alberdi	D8/77				
D565,380	S *	4/2008	Rinner	D8/107				
D565,914	S *	4/2008	Teng	D8/61				
7,373,860	B1 *	5/2008	Rinner	B25G 1/105				
									16/430
D573,256	S *	7/2008	Mauch	D24/130				
D581,433	S *	11/2008	Kobayashi	D15/6				
D586,634	S *	2/2009	Lai	D8/21				
D591,860	S *	5/2009	Aparici	D24/133				
D596,471	S *	7/2009	Huang	D8/21				
D600,093	S *	9/2009	Lin	D8/107				
D603,677	S *	11/2009	Hi	D8/83				
D608,191	S *	1/2010	Radle	D8/396				
D613,139	S *	4/2010	Lai	D8/21				
D613,144	S *	4/2010	Lin	D8/83				
D618,977	S *	7/2010	Ruhland	D8/77				
D622,561	S *	8/2010	Brown, III	D8/14				
D624,182	S *	9/2010	Thouement	D24/143				
D625,973	S *	10/2010	Hunton	D8/40				
D632,157	S *	2/2011	Le	D8/306				
D633,959	S *	3/2011	Mastin	D21/568				
D634,595	S *	3/2011	Tyson	D8/14				
D634,844	S *	3/2011	Bast	D24/145				
D637,065	S *	5/2011	Krietzman	D8/356				
D637,066	S *	5/2011	Krietzman	D8/356				
D639,941	S *	6/2011	Porat	D24/133				
D644,486	S *	9/2011	Groll	D7/395				
D646,384	S *	10/2011	Gauthier	D24/133				
D646,386	S *	10/2011	Miller	D24/133				
D646,387	S *	10/2011	Bast	D24/133				
D646,523	S *	10/2011	Johnson	D7/398				
D646,783	S *	10/2011	Bast	D24/133				
D646,948	S *	10/2011	Robinson	D8/83				
D647,201	S *	10/2011	Gauthier	D24/133				
D647,202	S *	10/2011	Seifert	D24/146				
8,033,200	B2 *	10/2011	Johnson	B25B 23/16				
									81/60
D648,433	S *	11/2011	Bast	D24/133				
D649,423	S *	11/2011	Robinson	D8/83				
D649,635	S *	11/2011	Cronin	D24/133				
D653,926	S *	2/2012	Barnhart	D8/81				
D654,589	S *	2/2012	Bast	D24/133				
D658,437	S *	5/2012	Johnson	D7/398				
D661,561	S *	6/2012	Stinson	D8/29				
D662,386	S *	6/2012	Abell	D8/107				
D663,025	S *	7/2012	Bast	D24/133				
D667,710	S *	9/2012	Fossum	D8/21				
D668,921	S *	10/2012	Fossum	D8/21				
D669,168	S *	10/2012	Krueger	D24/112				
D673,831	S *	1/2013	Molina	D8/83				
D673,832	S *	1/2013	Molina	D8/83				
D675,078	S *	1/2013	Matijevic	D8/307				
D679,165	S *	4/2013	Plehn-Citrone	D8/83				
D679,393	S *	4/2013	Griffith	D24/129				
D679,824	S *	4/2013	Forest	D24/214				
D682,057	S *	5/2013	Romo	D8/31				
D683,662	S *	6/2013	Vloemans	D12/114				
D686,051	S *	7/2013	Darbinyan	B25B 13/28				
									D8/25
D687,690	S *	8/2013	Chen	D8/26				
D692,133	S *	10/2013	Steinwachs	D24/146				
D693,190	S *	11/2013	Spector	D7/682				
D696,922	S *	1/2014	Cubillo	D8/303				
D706,121	S *	6/2014	Norton	D8/380				
D707,356	S *	6/2014	Vonck	D24/133				
D711,708	S *	8/2014	Larson	D8/21				
D714,600	S *	10/2014	Bond	D8/14				
D717,141	S *	11/2014	Kittelburger	D8/14				
D719,005	S *	12/2014	Goddard	D8/105				
D724,410	S *	3/2015	Han	D8/307				
D731,284	S *	6/2015	Goddard	D8/105				
9,132,536	B2 *	9/2015	Nino	C09J 5/00				
D742,188	S *	11/2015	Sandelin	D8/14				
D742,189	S *	11/2015	Sandelin	D8/14				
D742,190	S *	11/2015	Cockrell	D8/14				
D743,222	S *	11/2015	Smith	D8/14				
D743,759	S *	11/2015	Blood	D8/14				
D747,796	S *	1/2016	Romao	D24/112				
D747,944	S *	1/2016	Stamm	D8/81				
D749,386	S *	2/2016	Talbot	D8/28				
D751,193	S *	3/2016	Griffith	A61J 15/0065				
									D24/130
9,278,436	B2 *	3/2016	Hsieh	B25B 15/04				
9,295,500	B2 *	3/2016	Marigowda	A61B 17/7082				
D754,512	S *	4/2016	Nelson	D8/83				
D755,602	S *	5/2016	Marcus	D8/85				
D765,481	S *	9/2016	Lin	D8/25				
D772,684	S *	11/2016	Zimmer	D8/307				
D775,353	S *	12/2016	Anderson	D24/171				
D778,443	S *	2/2017	Brannon	D24/147				
9,572,617	B1 *	2/2017	Prado	A61B 17/8888				
9,573,256	B2 *	2/2017	Hsieh	B25B 15/04				
D782,270	S *	3/2017	Bast	D8/107				
9,597,786	B2 *	3/2017	Romo	A61B 17/8875				
9,604,349	B2 *	3/2017	Johnson	B25B 13/463				
D784,105	S *	4/2017	Nelson	D8/83				
9,630,301	B2 *	4/2017	Ryans	B25B 13/463				
D786,433	S *	5/2017	Seaver	D24/147				
D787,296	S *	5/2017	Zimmer	D8/307				
D794,184	S *	8/2017	Smith	D24/129				
9,724,817	B2 *	8/2017	Hongquan	B25G 1/066				
D797,533	S *	9/2017	Hu	D8/42				

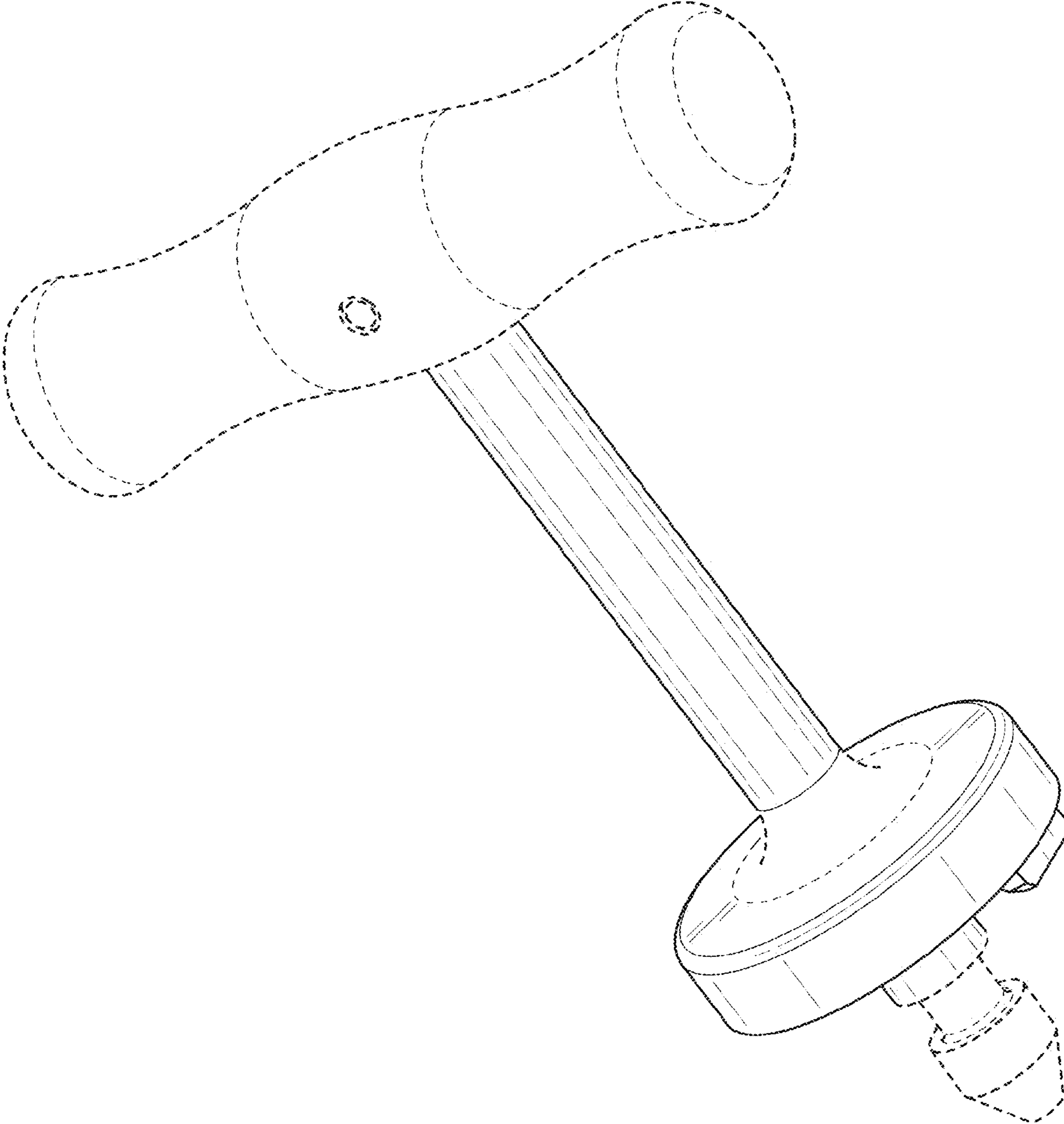


FIG. 1

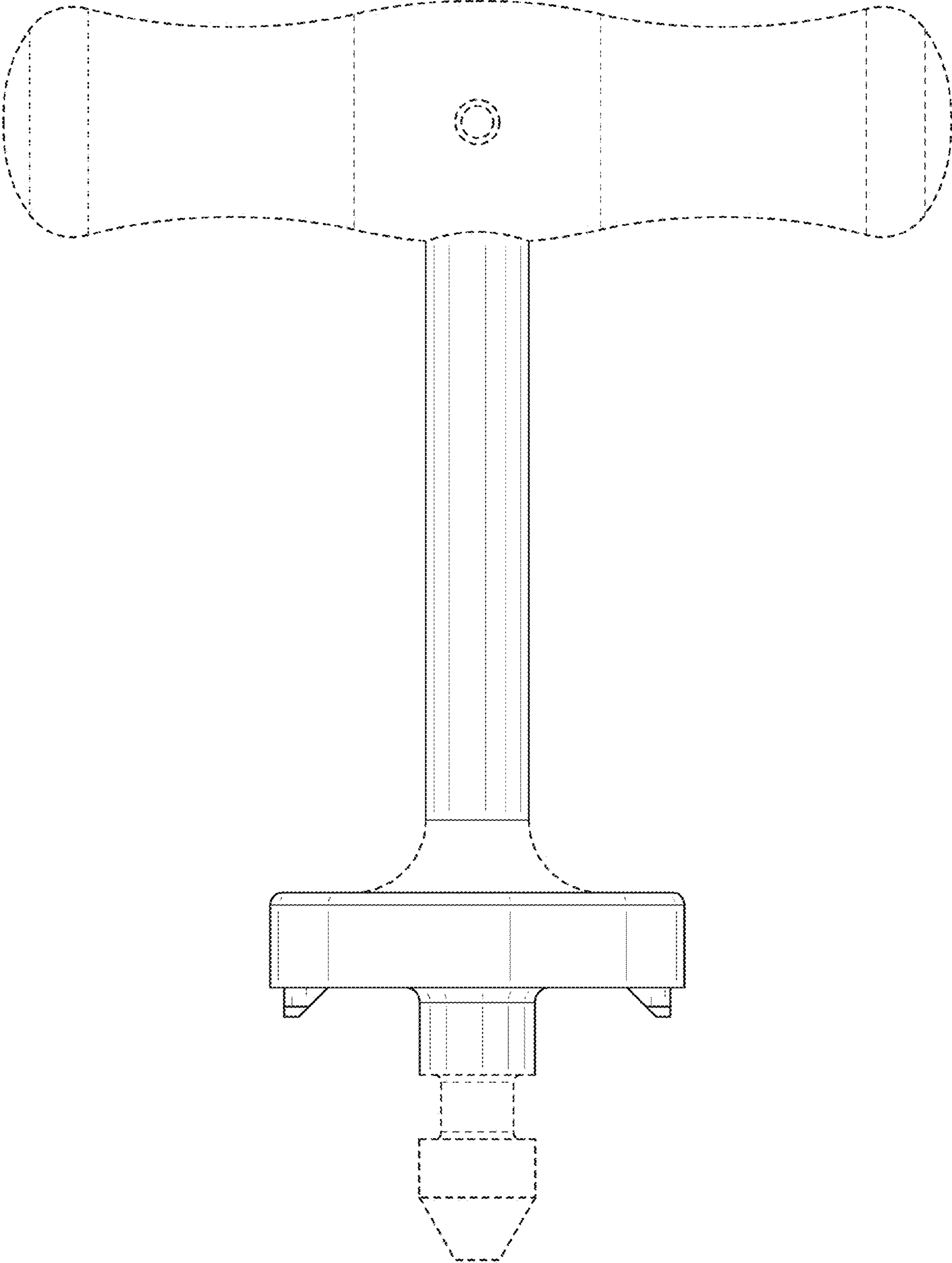


FIG. 2

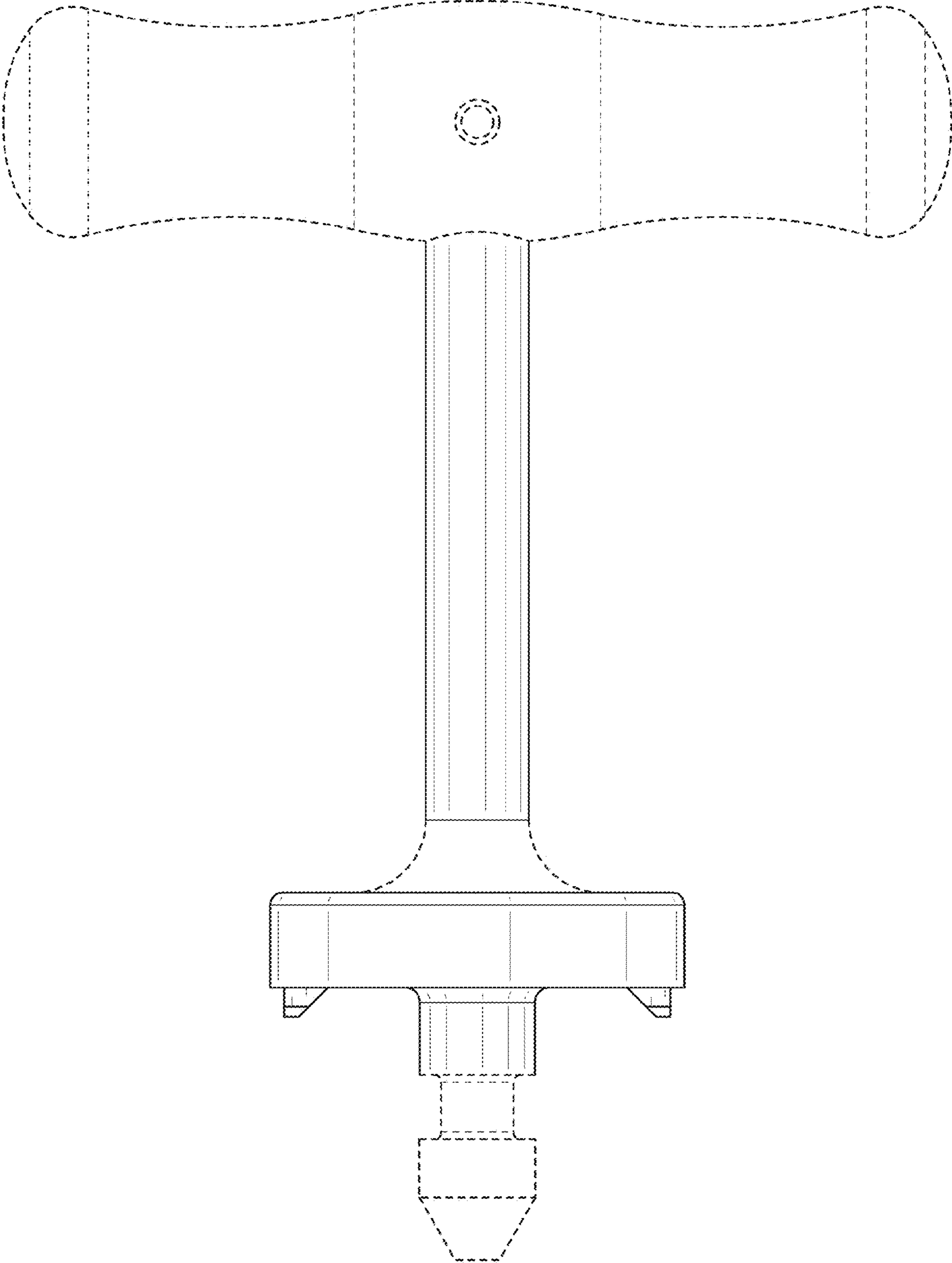


FIG. 3

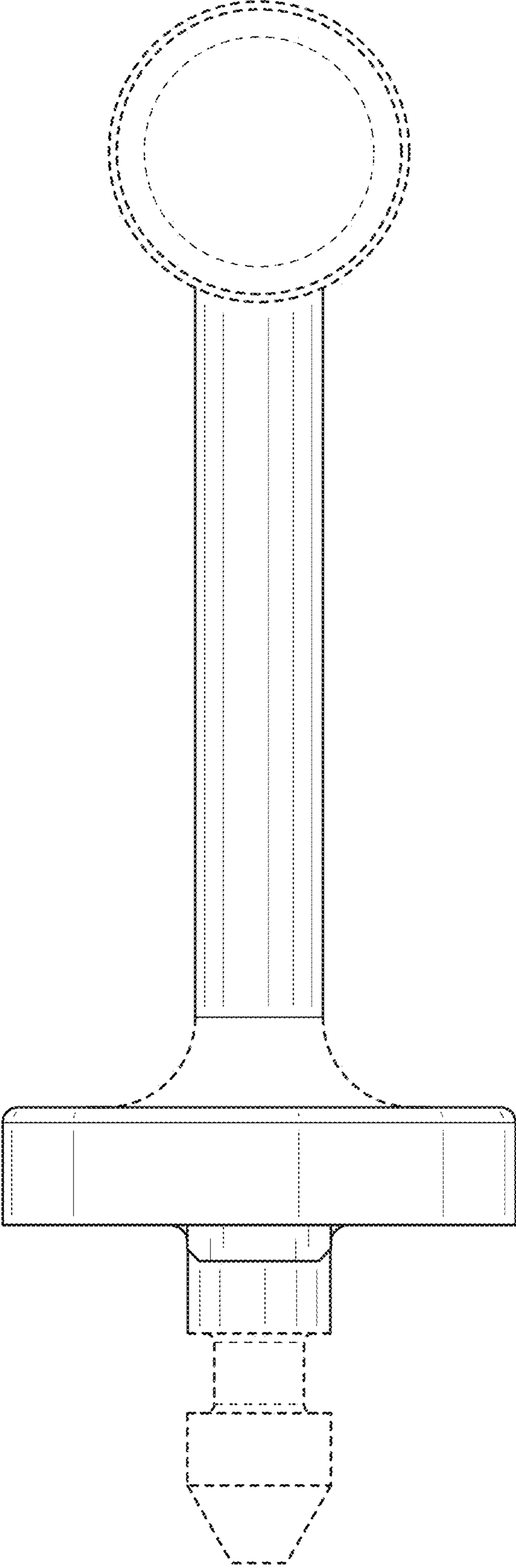


FIG. 4

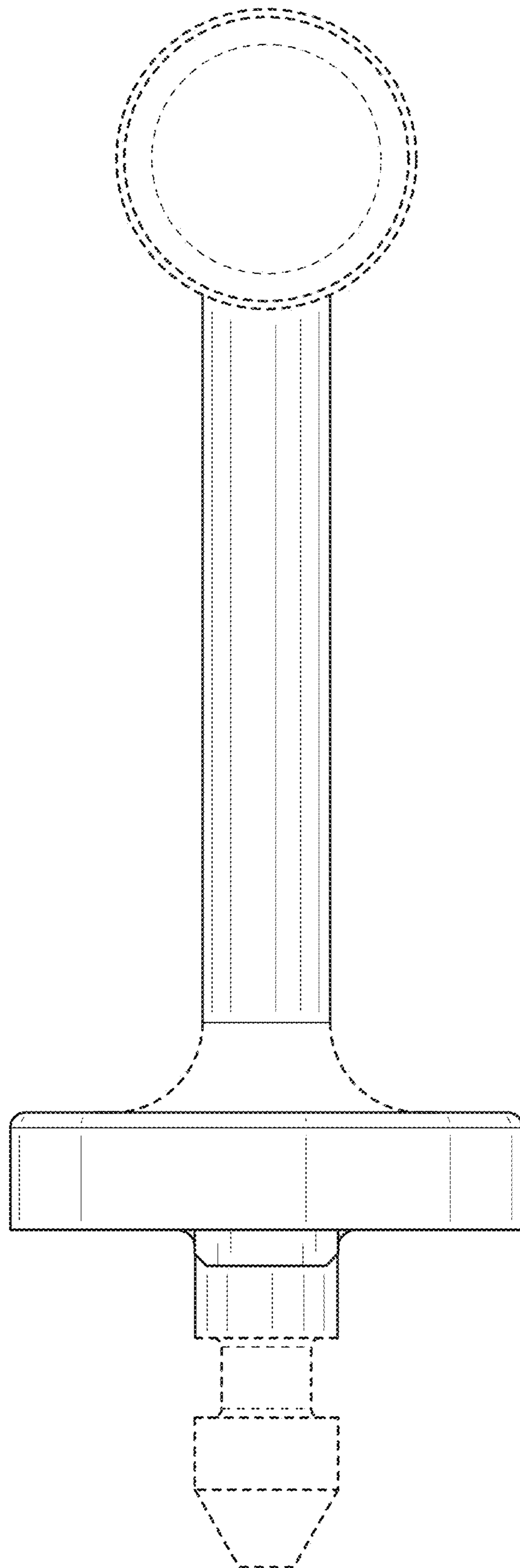


FIG. 5

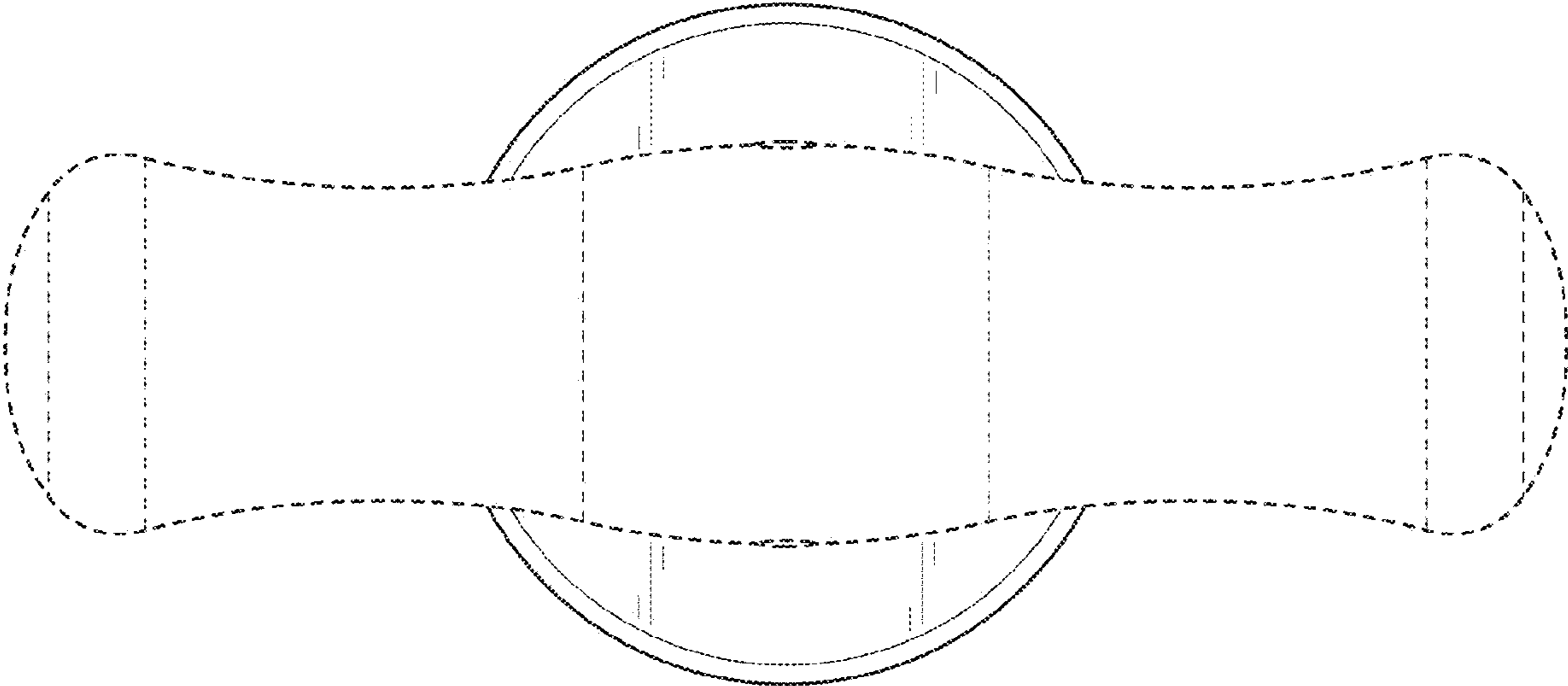


FIG. 6

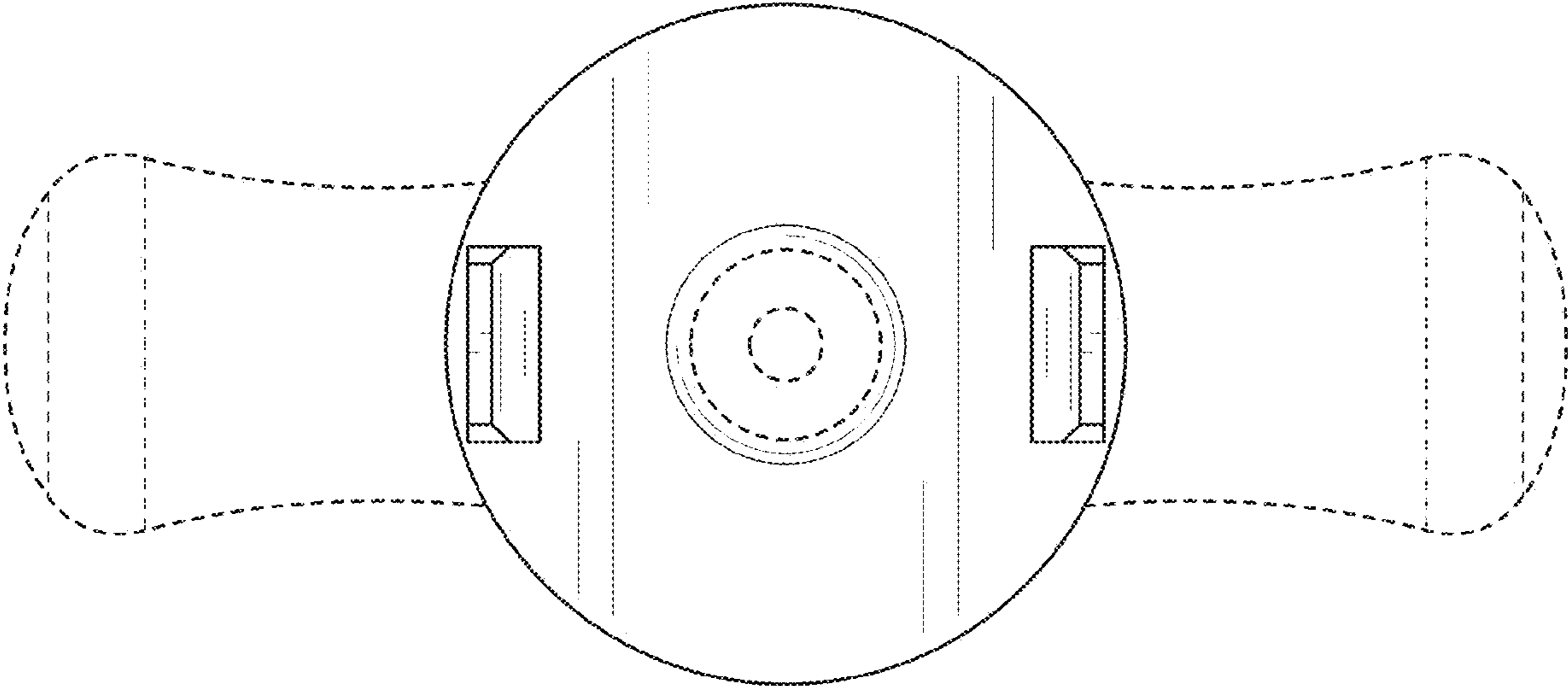


FIG. 7