



US00D928948S

(12) **United States Design Patent**
Gulliver et al.

(10) **Patent No.:** **US D928,948 S**

(45) **Date of Patent:** **** Aug. 24, 2021**

(54) **CONNECTOR**

FOREIGN PATENT DOCUMENTS

(71) Applicant: **Fisher & Paykel Healthcare Limited**,
Auckland (NZ)

CN 101262901 A 9/2008
CN 201775849 U 3/2011

(Continued)

(72) Inventors: **Laurence Gulliver**, Auckland (NZ);
Michael Paul Ronayne, Auckland
(NZ); **Charles William Douglas**
Irving, Auckland (NZ); **Mark Thomas**
O'Connor, Auckland (NZ)

OTHER PUBLICATIONS

Combined Search and Examination Report in co-pending Applica-
tion No. GB 1800268.3, dated Jan. 25, 2018 in 6 pages.

(Continued)

(73) Assignee: **FISHER & PAYKEL HEALTHCARE**
LIMITED, Auckland (NZ)

Primary Examiner — Holly E Thurman

Assistant Examiner — Ieisha N Price

(**) Term: **15 Years**

(74) *Attorney, Agent, or Firm* — Knobbe, Martens, Olson
& Bear, LLP

(21) Appl. No.: **29/751,537**

(22) Filed: **Sep. 22, 2020**

(57) **CLAIM**

Related U.S. Application Data

The ornamental design for a connector, as shown and
described.

(60) Continuation of application No. 29/698,190, filed on
Jul. 15, 2019, now Pat. No. Des. 899,590, which is a

(Continued)

(51) **LOC (13) Cl.** **24-02**

(52) **U.S. Cl.**
USPC **D24/129**

(58) **Field of Classification Search**
USPC ... D24/110, 110.1, 110.4, 110.5, 110.6, 112,
D24/129, 164, 165; D23/262, 264
CPC A61M 16/0816; A61M 6/0875; A61M
16/0833; A61M 39/1011; A61M
2039/1044; A61M 2039/1027; A61B
5/082

See application file for complete search history.

DESCRIPTION

FIG. 1 is a front, top, and side perspective view of a
connector.

FIG. 2 is a back, top, and side perspective view thereof.

FIG. 3 is a top view thereof, the bottom being a mirror
image.

FIG. 4 is a side view thereof, the opposite side being a mirror
image.

FIG. 5 is a front view thereof; and,

FIG. 6 is a back view thereof.

The portions of the connector adaptor shown in broken line
form no part of the claimed design.

The evenly spaced broken lines in the drawings illustrate
portions of the connector and form no part of the claimed
design. The dot-dash-dot broken lines in the drawings define
the bounds of the claim and form no part thereof.

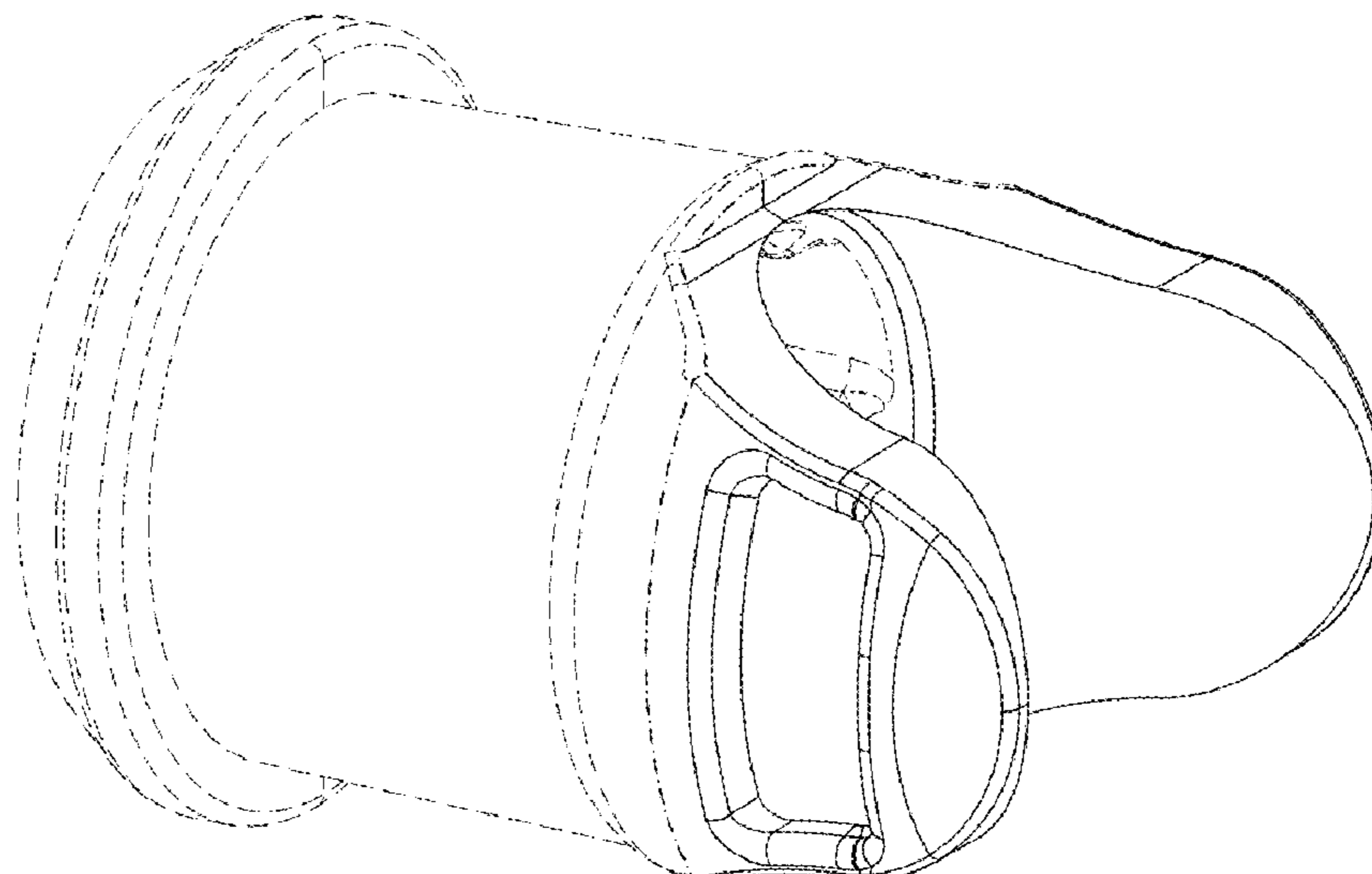
(56) **References Cited**

U.S. PATENT DOCUMENTS

132,604 A 10/1872 Smith et al.
327,877 A 10/1885 Hodges

(Continued)

1 Claim, 3 Drawing Sheets



Related U.S. Application Data

division of application No. 29/664,553, filed on Sep. 26, 2018, now Pat. No. Des. 861,162, which is a continuation of application No. 29/534,250, filed on Jul. 27, 2015, now Pat. No. Des. 834,712, which is a division of application No. 29/433,930, filed on Oct. 5, 2012, now Pat. No. Des. 735,326, which is a continuation of application No. 29/429,467, filed on Aug. 10, 2012, now Pat. No. Des. 747,471.

(56)

References Cited

U.S. PATENT DOCUMENTS

1,880,098	A	9/1932	Mair	
2,124,474	A	7/1938	Scholtes	
2,479,580	A	8/1949	Marco	
3,513,844	A	5/1970	Smith	
4,111,514	A	9/1978	Brishka et al.	
4,446,869	A	5/1984	Knodle	
4,584,997	A	4/1986	DeLong	
4,589,684	A	5/1986	Nowacki et al.	
4,601,495	A	7/1986	Webb	
D300,271	S	3/1989	Rudolph et al.	
D300,272	S	3/1989	Rudolph et al.	
5,040,527	A	8/1991	Larson et al.	
5,064,226	A	11/1991	Klas	
D328,033	S	7/1992	DiGuseppi	
5,158,569	A	10/1992	Strickland et al.	
5,335,656	A	8/1994	Bowe et al.	
D363,541	S	10/1995	Cottone, Sr. et al.	
5,529,284	A	6/1996	Berger et al.	
5,725,258	A *	3/1998	Kujawski F16L 37/1225 285/308	
5,735,271	A	4/1998	Lorenzen et al.	
D424,687	S	5/2000	Hoening et al.	
D431,634	S	10/2000	Mantz	
6,439,234	B1	8/2002	Curti et al.	
6,484,724	B1	11/2002	Sloan	
D468,015	S	12/2002	Horppu	
D472,316	S	3/2003	Douglas et al.	
D472,630	S	4/2003	Douglas et al.	
6,561,549	B1	5/2003	Moris et al.	
6,581,974	B1	6/2003	Ragner et al.	
6,893,055	B2	5/2005	Thomas et al.	
6,915,705	B1	7/2005	Truitt	
6,932,390	B1	8/2005	Gretz	
D543,620	S	5/2007	Chu et al.	
D551,340	S	9/2007	Wood et al.	
7,263,994	B2	9/2007	Gradon et al.	
7,458,615	B2	12/2008	White et al.	
D612,481	S	3/2010	Reid et al.	
D627,059	S	11/2010	Wood et al.	
D637,713	S	5/2011	Nord et al.	
D645,547	S	9/2011	Lombardi et al.	
D654,573	S	2/2012	Lombardi et al.	
D661,785	S	6/2012	Johnson	
8,317,203	B2	11/2012	Hermle et al.	
D672,037	S	12/2012	Miller	
8,376,412	B2	2/2013	Johnson	
8,439,039	B2	5/2013	Gunaratnam et al.	
8,485,193	B2	7/2013	Worley	
8,534,278	B2	9/2013	Colman et al.	
D691,717	S	10/2013	McLean et al.	
D692,555	S	10/2013	Maksym et al.	
D695,890	S	12/2013	Bowden et al.	
D697,200	S	1/2014	Mahaffy	
D724,720	S	3/2015	O'Connor et al.	
D726,287	S	4/2015	Steele	
D735,326	S	7/2015	Gulliver	
D736,914	S	8/2015	Schultz	
D747,471	S	1/2016	Gulliver et al.	
D750,239	S *	2/2016	Pappalardo D24/130	
D757,933	S	5/2016	Lev et al.	
D768,285	S	10/2016	Reed	
D785,161	S	4/2017	Dravitzki et al.	

D785,789	S	5/2017	Turturro et al.	
D790,054	S	6/2017	Prentice et al.	
D791,939	S	7/2017	Turturro et al.	
D794,184	S	8/2017	Smith	
9,808,612	B2	11/2017	Gulliver et al.	
9,879,807	B2	1/2018	Brugger et al.	
D816,216	S	4/2018	Gulliver et al.	
D827,125	S *	8/2018	Nilsson D24/110.4	
D827,126	S	8/2018	Nilsson et al.	
D834,712	S	11/2018	Gulliver et al.	
10,245,407	B2	4/2019	Osborne et al.	
D849,242	S *	5/2019	Wilson D24/110.4	
10,335,583	B2	7/2019	Gulliver et al.	
D861,162	S	9/2019	Gulliver et al.	
D870,878	S *	12/2019	Wilson D24/110.4	
D878,549	S *	3/2020	Wilson D24/112	
D893,016	S *	8/2020	Wilson D24/110.4	
10,786,663	B2 *	9/2020	Lauer A61M 39/1011	
D899,590	S	10/2020	Gulliver et al.	
10,792,486	B2 *	10/2020	Nelson A61M 39/045	
10,835,733	B1	11/2020	Gulliver et al.	
2004/0090066	A1	5/2004	Hoffman	
2004/0103686	A1	6/2004	Fehr et al.	
2004/0108218	A1	6/2004	Stubbergh	
2005/0028822	A1	2/2005	Sleeper et al.	
2006/0107958	A1	5/2006	Sleeper	
2006/0107960	A1	5/2006	Smart	
2007/0043334	A1	2/2007	Guala	
2007/0088327	A1	4/2007	Guala	
2007/0175473	A1	8/2007	Lewis et al.	
2008/0041391	A1 *	2/2008	Worley A61M 16/0488 128/207.14	
2008/0093846	A1	4/2008	Sparks	
2008/0142019	A1	6/2008	Lewis et al.	
2008/0190436	A1	8/2008	Jaffe et al.	
2008/0264413	A1	10/2008	Doherty et al.	
2009/0101147	A1	4/2009	Landis et al.	
2009/0223523	A1	9/2009	Chang	
2009/0299158	A1	12/2009	Boatner et al.	
2010/0116272	A1	5/2010	Row et al.	
2010/0163051	A1	7/2010	Brewer et al.	
2010/0168600	A1	7/2010	Adriance et al.	
2010/0206310	A1	8/2010	Matsubara et al.	
2013/0037030	A1	2/2013	Matula	
2013/0104888	A1	5/2013	Landis et al.	
2013/0167841	A1	7/2013	Sheffer et al.	
2013/0284167	A1	10/2013	Porteous et al.	
2014/0000626	A1	1/2014	O'Connor et al.	
2014/0014108	A1	1/2014	Dillard	
2014/0053846	A1	2/2014	Wood	
2014/0191501	A1	7/2014	Brugger et al.	
2014/0200475	A1	7/2014	Rubin	
2014/0338669	A1	11/2014	Zhao et al.	
2015/0021909	A1	1/2015	Gulliver	
2015/0167877	A1	6/2015	Kendrick	
2015/0320962	A1	11/2015	Bafle et al.	
2016/0082218	A1 *	3/2016	Lau A61M 16/0672 128/202.27	
2016/0131292	A1	5/2016	Decker	
2017/0036007	A1	2/2017	Hallisey et al.	
2017/0065788	A1 *	3/2017	Chou A61M 16/0833	
2017/0065789	A1	3/2017	Reed	
2017/0197055	A1 *	7/2017	Moody A61M 16/0875	
2017/0361051	A1 *	12/2017	Eifler A61M 16/0816	
2018/0078752	A1	3/2018	Gulliver et al.	
2018/0140819	A1	5/2018	Yang	
2018/0200148	A1	7/2018	Sanders	
2019/0321617	A1	5/2019	Gulliver et al.	
2019/0381268	A1	12/2019	Colman et al.	

FOREIGN PATENT DOCUMENTS

CN	102019014	A	4/2011
CN	103857432	A	6/2014
CN	104870042	A	8/2015
DE	37 09 122	A1	9/1988
DE	10 2007 063 556	A1	7/2009
EP	1 314 446		8/2002
EP	1 403 838		3/2004

(56)

References Cited

FOREIGN PATENT DOCUMENTS

EP	1 408 313	4/2004
EP	1 520 599	10/2004
EP	1 479 405	11/2004
EP	1 933 074	6/2008
EP	3 335 756	6/2018
EP	3 344 319	7/2018
GB	2328260	2/1999
JP	2003-502116	1/2003
JP	2007-236567 A	9/2007
JP	2010-527276 A	8/2010
JP	2014-516601	7/2014
JP	2014-521471	8/2014
WO	WO 2003/082406	10/2003
WO	WO 2004/108218	12/2004
WO	WO 2005/079670	9/2005
WO	WO 2011/079226	6/2011
WO	WO 2013/022356	2/2013
WO	WO 2014/097145	6/2014
WO	WO 2014/129912	8/2014

OTHER PUBLICATIONS

Combined Search and Examination in co-pending Application No. GB 1810896.9, dated Nov. 20, 2018 in 5 pages.

Examination Report; JP2014524961A; dated Nov. 8, 2017; 2 pages.
Fisher & Paykel Healthcare Limited, Junior Tube and Chamber Kit brochure, 900PT531, 2012.

International Search Report and Written Opinion; PCT/NZ2010/000142; dated Jan. 22, 2013; 14 pages.

PCT Application No. PCT/NZ2012/000142 International Preliminary Report on Patentability dated Feb. 20, 2014 in 6 pages.

Photos of current commercial connector illustrated in Reference 1 in 3 pages.

* cited by examiner

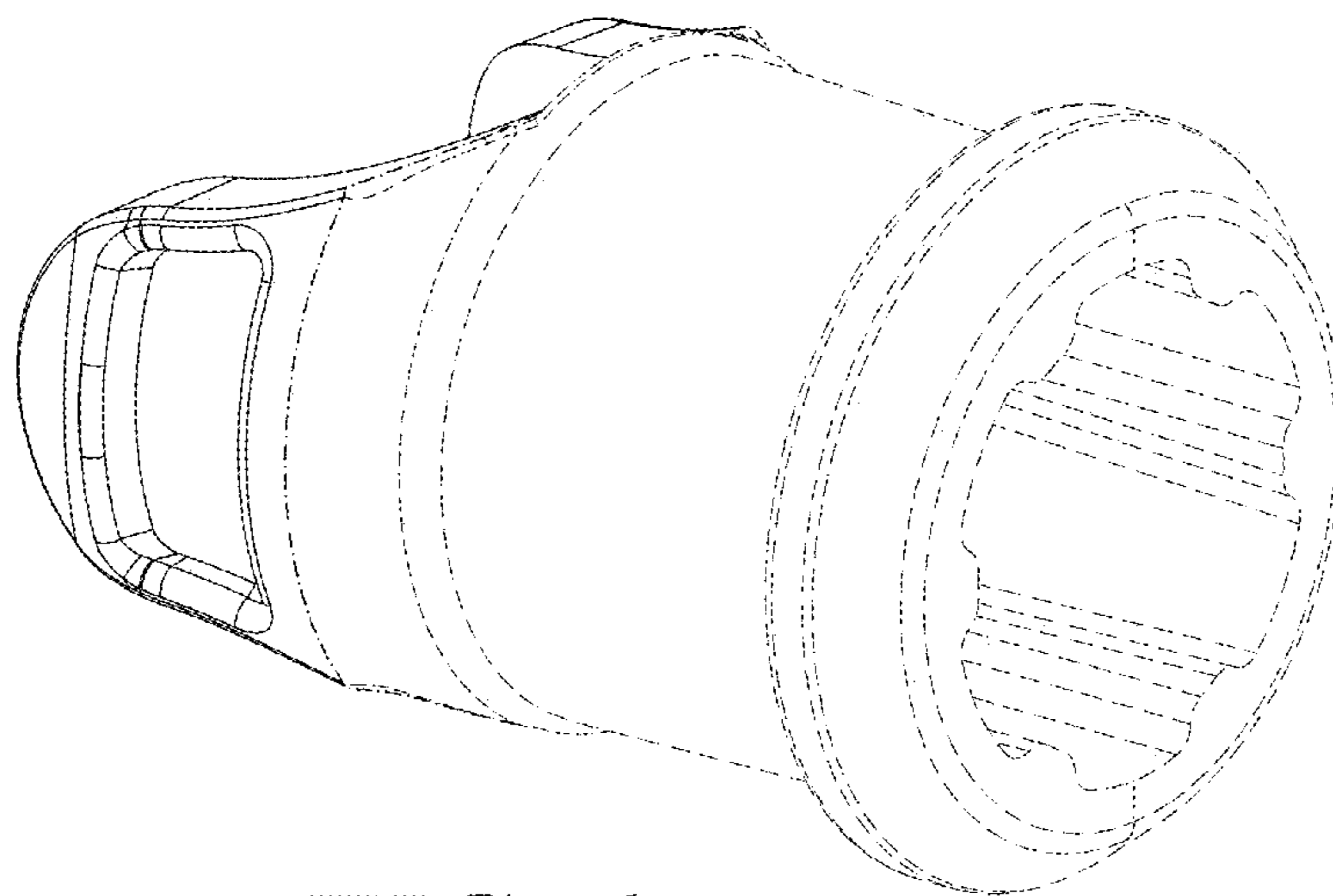


FIG. 1

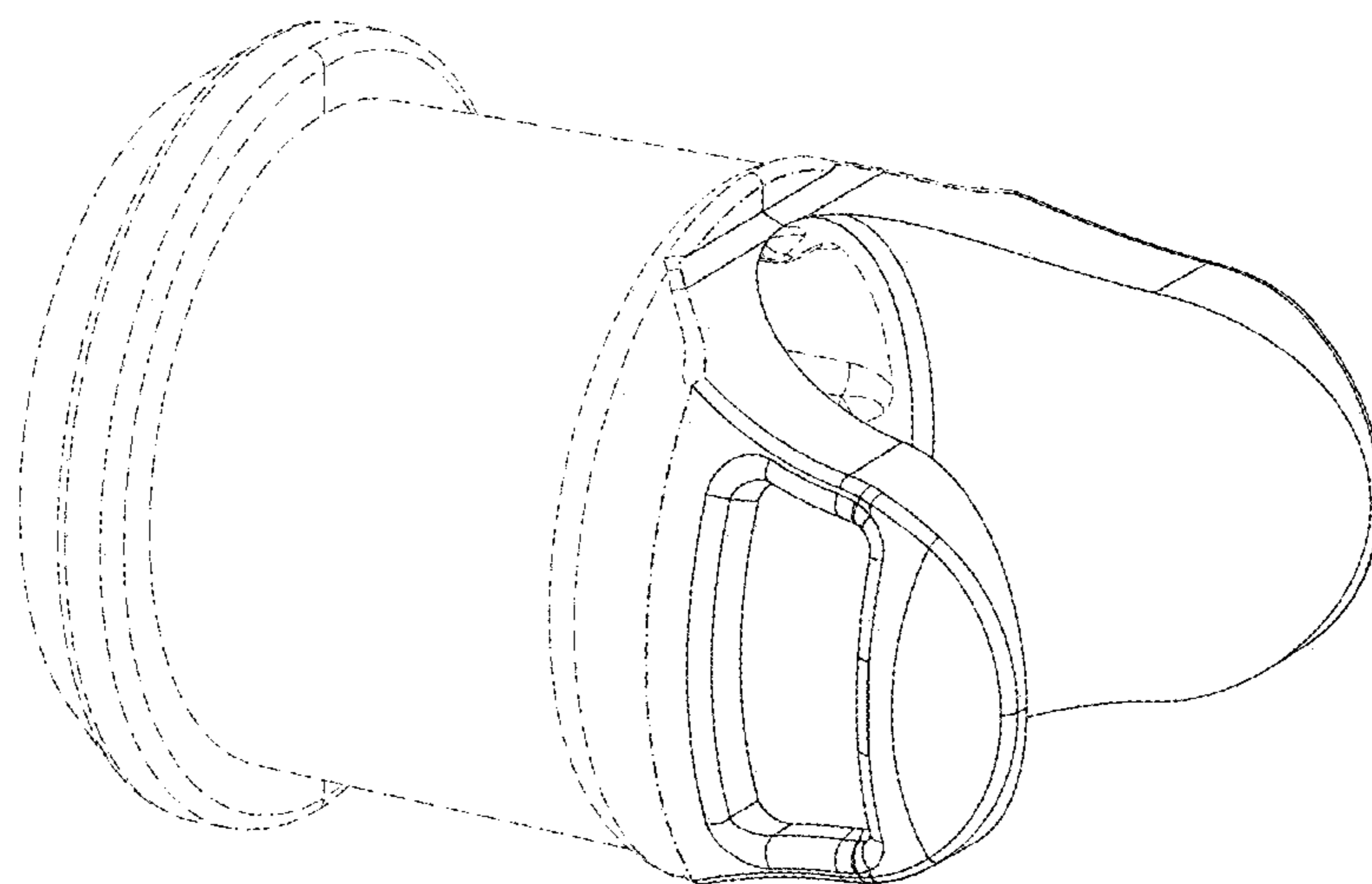


FIG. 2

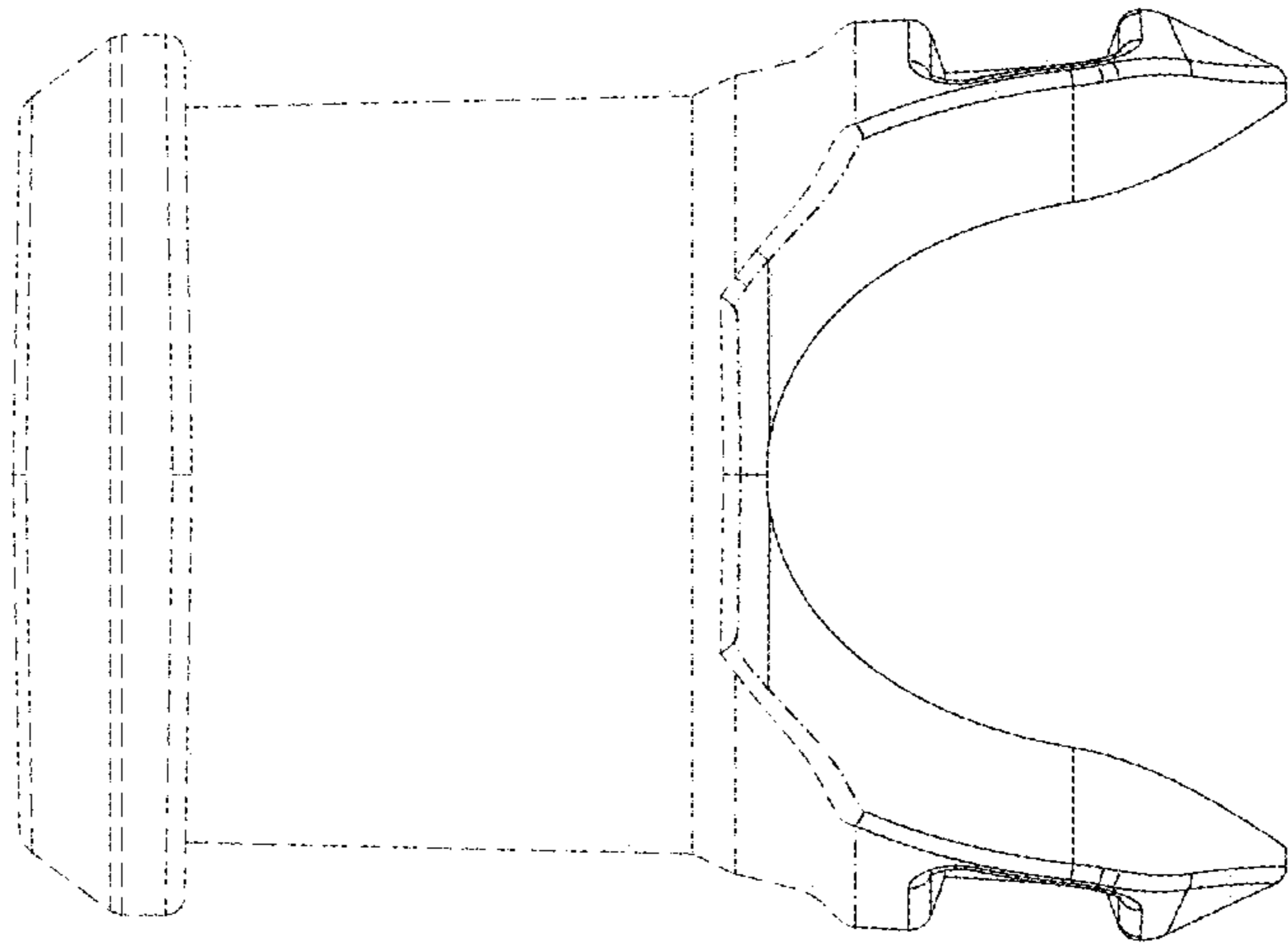


FIG. 3

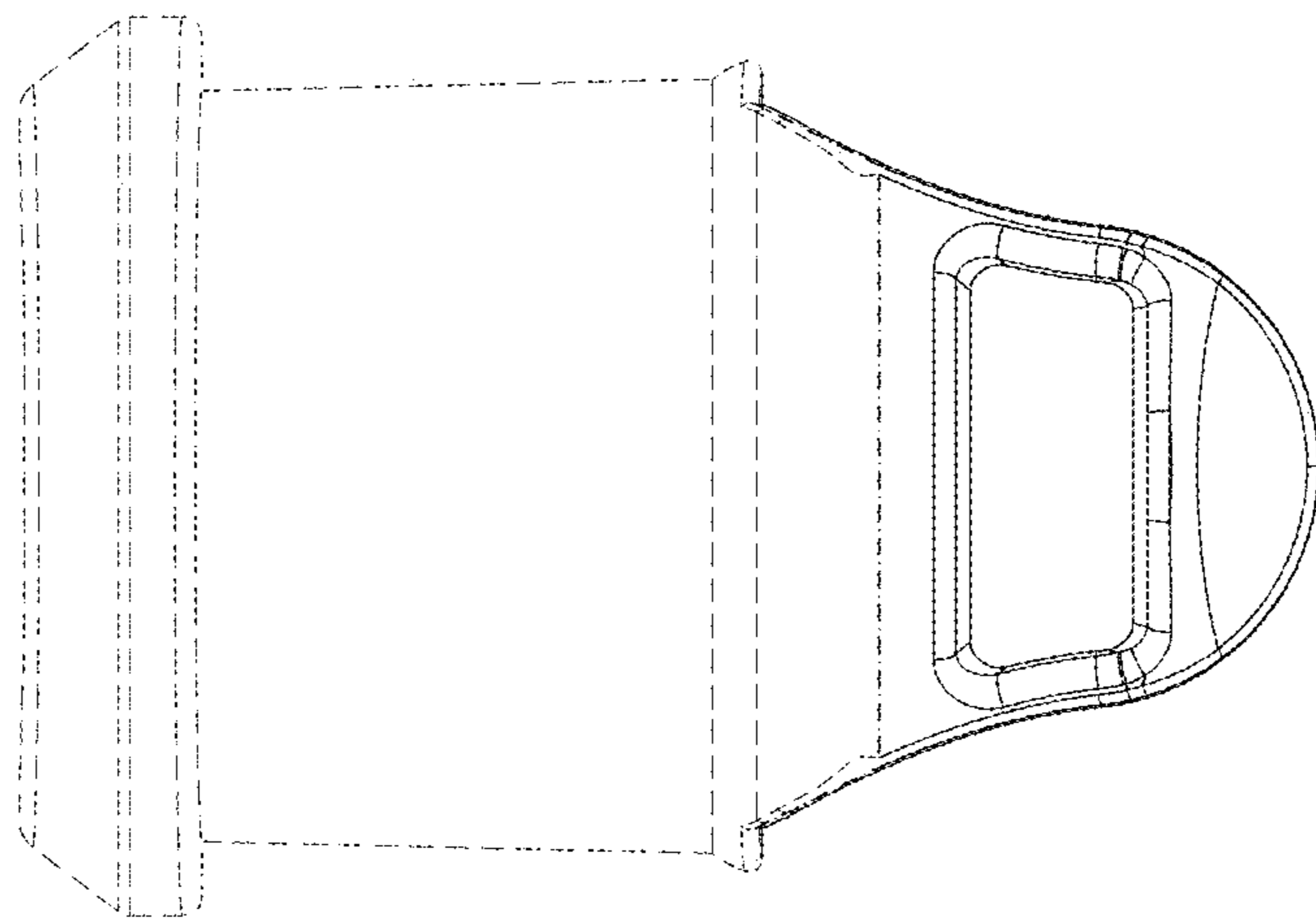


FIG. 4

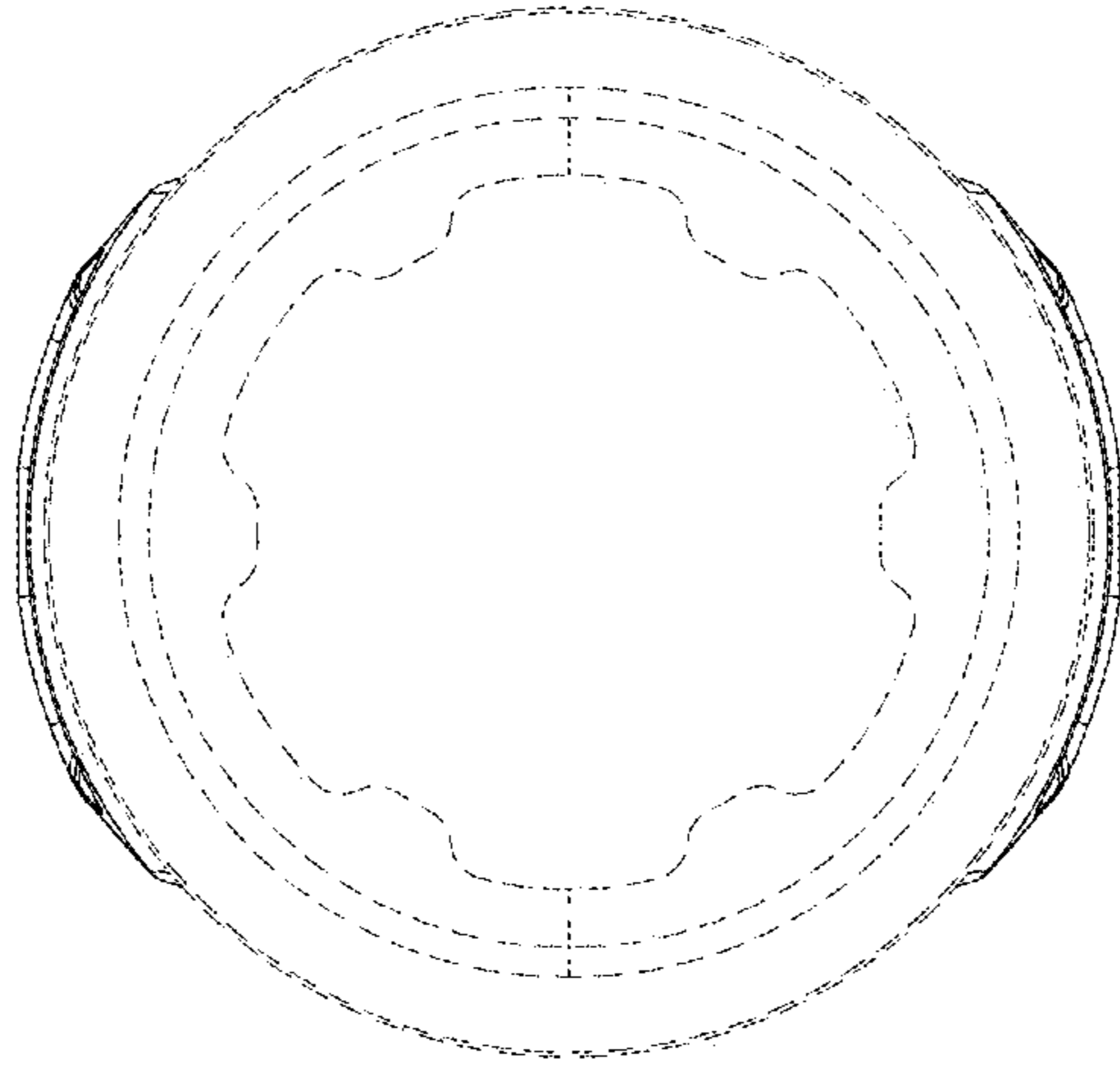


FIG. 5

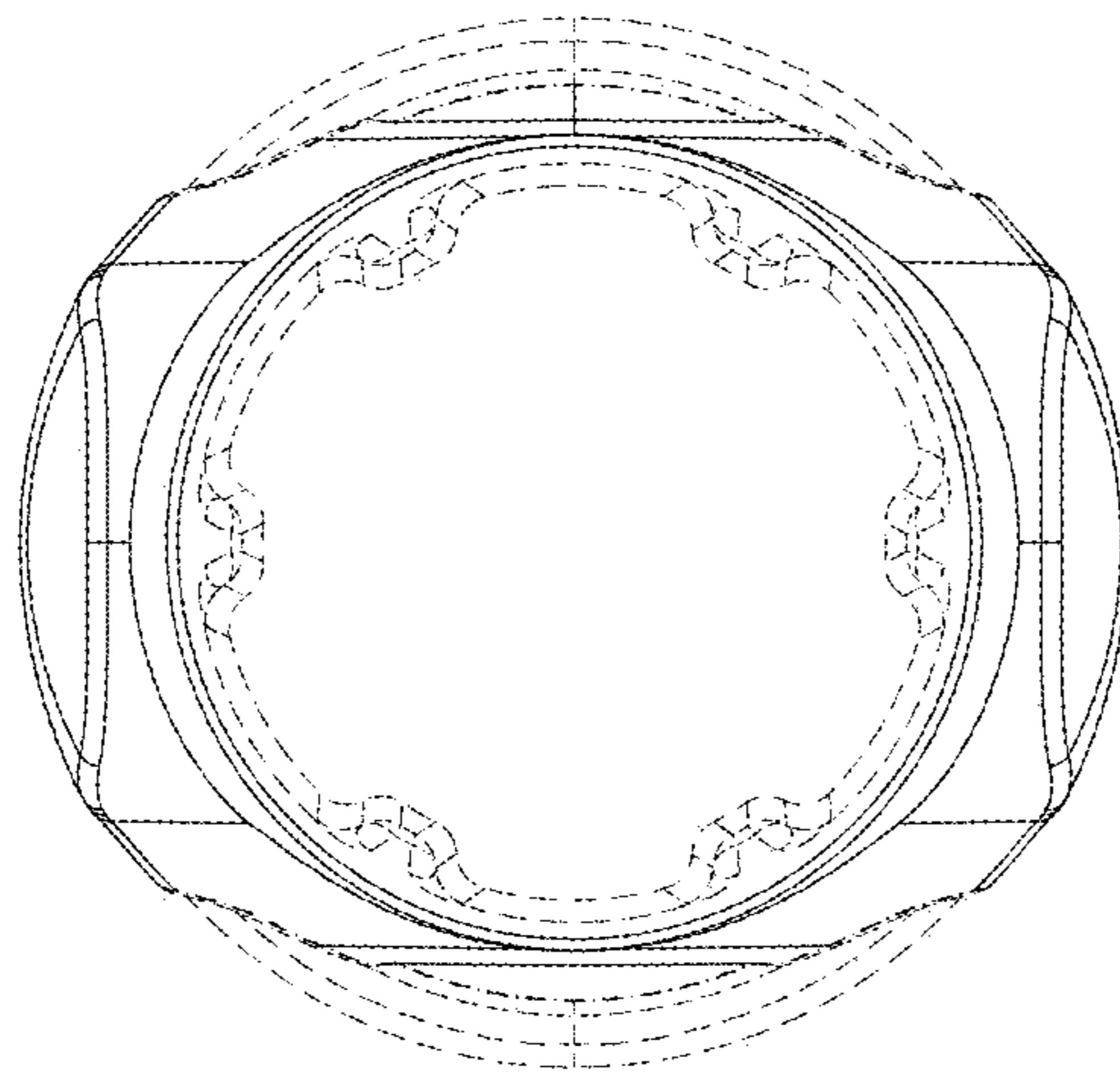


FIG. 6