



US00D928947S

(12) **United States Design Patent**  
**Gugliotti**

(10) **Patent No.:** **US D928,947 S**

(45) **Date of Patent:** **\*\* Aug. 24, 2021**

(54) **NEEDLE PROTECTOR**

(71) Applicant: **EMD Millipore Corporation,**  
Burlington, MA (US)

(72) Inventor: **John Gugliotti,** Billerica, MA (US)

(73) Assignee: **EMD Millipore Corporation,**  
Burlington, MA (US)

(\*\*) Term: **15 Years**

(21) Appl. No.: **29/662,885**

(22) Filed: **Sep. 10, 2018**

(51) **LOC (13) Cl.** ..... **24-01**

(52) **U.S. Cl.**  
USPC ..... **D24/128**

(58) **Field of Classification Search**  
USPC ..... D24/127-131, 112-114, 133, 186;  
606/181, 185; 604/264, 523-528, 272,  
604/187, 158, 164.01-164.11, 181, 184,  
604/227; 600/101, 139, 143;  
128/200.24, 207.14, 207.15  
CPC ..... B65D 85/24; B65D 33/16; B65D 33/02;  
B65D 33/165; B65D 33/14; A61M 5/321;  
A61M 5/3202

See application file for complete search history.

(56) **References Cited**

**U.S. PATENT DOCUMENTS**

D259,661 S \* 6/1981 McGinnis ..... 128/846  
4,698,057 A 10/1987 Joishy  
D399,952 S \* 10/1998 McMillian ..... D24/122  
D401,331 S \* 11/1998 Doyle ..... D24/128  
D457,957 S \* 5/2002 Sanford ..... D24/133

(Continued)

**FOREIGN PATENT DOCUMENTS**

CN 2805772 Y 8/2006  
CN 2843483 Y 12/2006

(Continued)

*Primary Examiner* — Nathan M Johnston

(74) *Attorney, Agent, or Firm* — EMD Millipore Corporation

(57) **CLAIM**

An ornamental design for a needle protector, as shown and described.

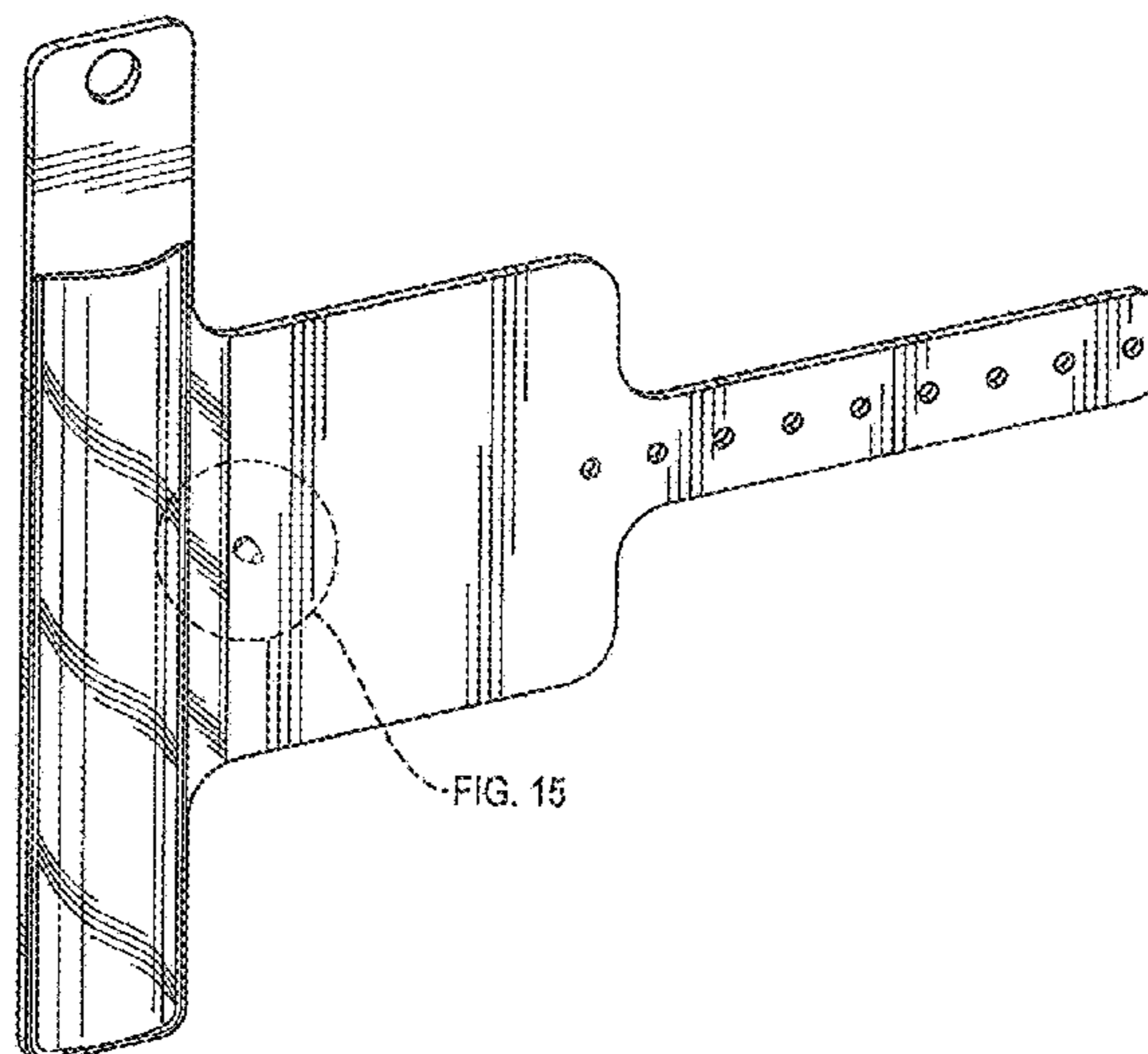
**DESCRIPTION**

FIG. 1 is a first embodiment of a perspective view of a needle protector showing my new design; FIG. 2 a front elevation view thereof; FIG. 3 a rear elevation view thereof; FIG. 4 a left side elevation view thereof; FIG. 5 is a right elevation view thereof; FIG. 6 is a top plan elevation view thereof; FIG. 7 is a bottom plan view thereof; FIG. 8 is a second embodiment of a perspective view of a needle protector showing my new design; FIG. 9 is a front elevation view thereof; FIG. 10 is a rear elevation view thereof; FIG. 11 is a left side elevation view thereof; FIG. 12 is a right elevation view thereof; FIG. 13 is a top plan elevation view thereof; FIG. 14 is a bottom plan view thereof; and, FIG. 15 is an enlarged perspective view of a hole and button feature in FIG. 1 for a needle protector, according to embodiments of the disclosure.

The views described herein are used to denote front, top, bottom, rear, and side views of embodiments of the disclosure and are not to be interpreted as limiting the orientation of the Needle protector. It is to be understood that a disclaimed button as in FIG. 1 may also be contemplated within FIG. 8. It is to be further understood that FIGS. 1-7 are mirror images of FIGS. 8-14.

The broken lines show portions of the needle protector that form no part of the claimed design.

**1 Claim, 11 Drawing Sheets**



(56)

**References Cited**

U.S. PATENT DOCUMENTS

8,454,569 B2 \* 6/2013 Kull-Osterlin ..... A61F 5/4404  
604/328  
D816,862 S \* 5/2018 Hsu ..... D24/225  
2001/0020152 A1 9/2001 Spinello  
2016/0129225 A1 \* 5/2016 Watanabe ..... A61M 5/321  
604/263  
2017/0165419 A1 \* 6/2017 Yardimci ..... A61M 39/28  
2019/0375578 A1 \* 12/2019 Gugliotti ..... B65D 85/24

FOREIGN PATENT DOCUMENTS

CN 203647484 U 6/2014  
CN 204723490 U 10/2015  
CN 103638583 B 1/2017  
CN 206792739 U 12/2017  
CN 206852861 U 1/2018  
DE 10-2004-059217 A1 7/2005  
EP 2659921 B1 6/2017  
GB 2361261 A 10/2001  
GB 2468945 A 9/2010  
WO 2007/022295 A2 2/2007

\* cited by examiner

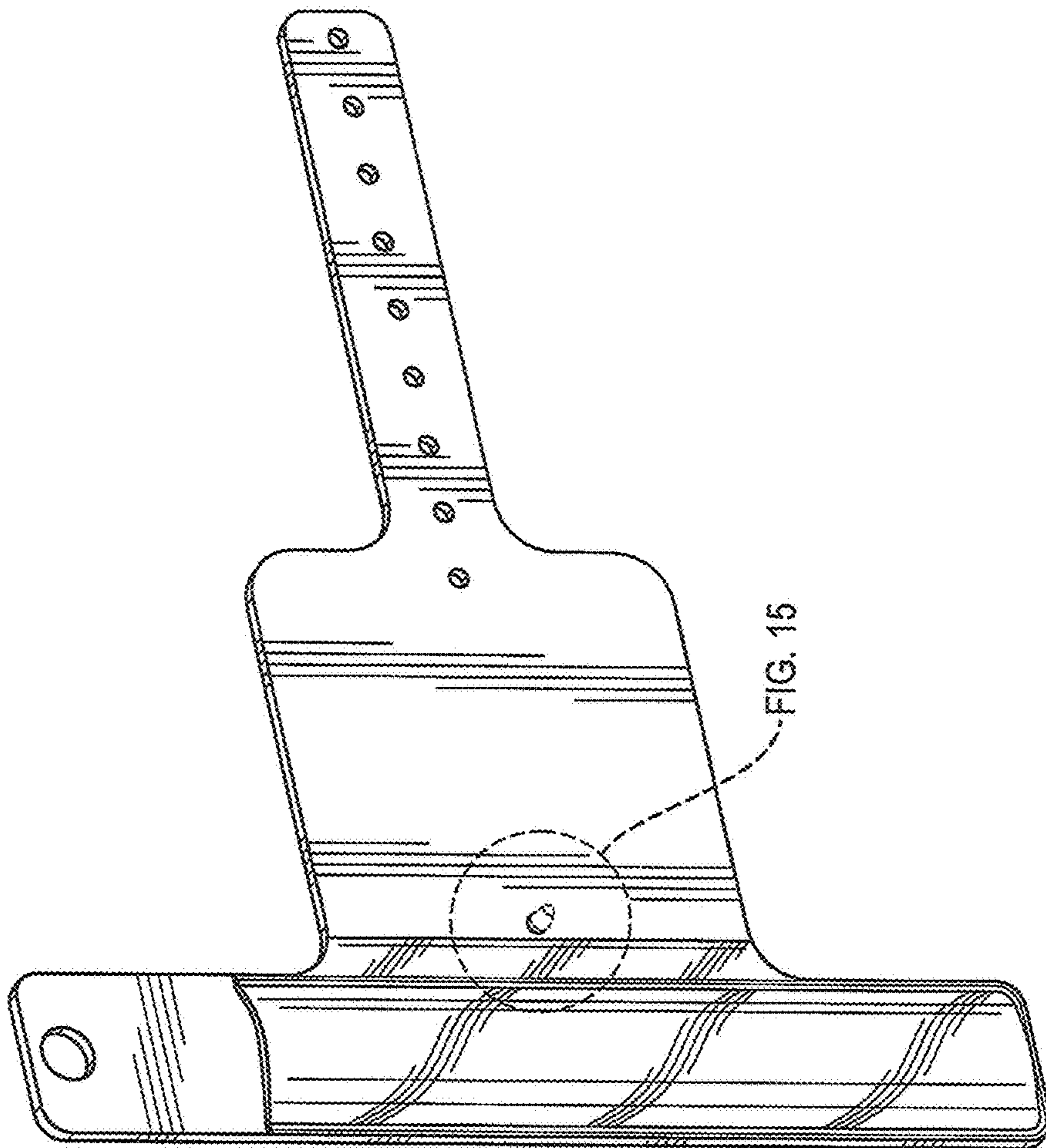


FIG. 1

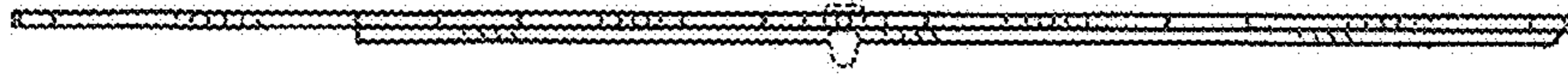


FIG. 3

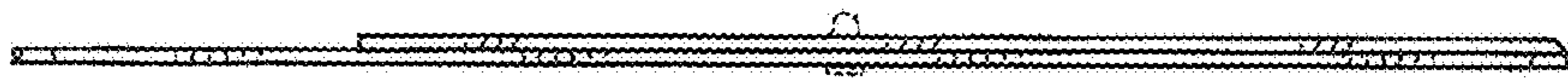


FIG. 2

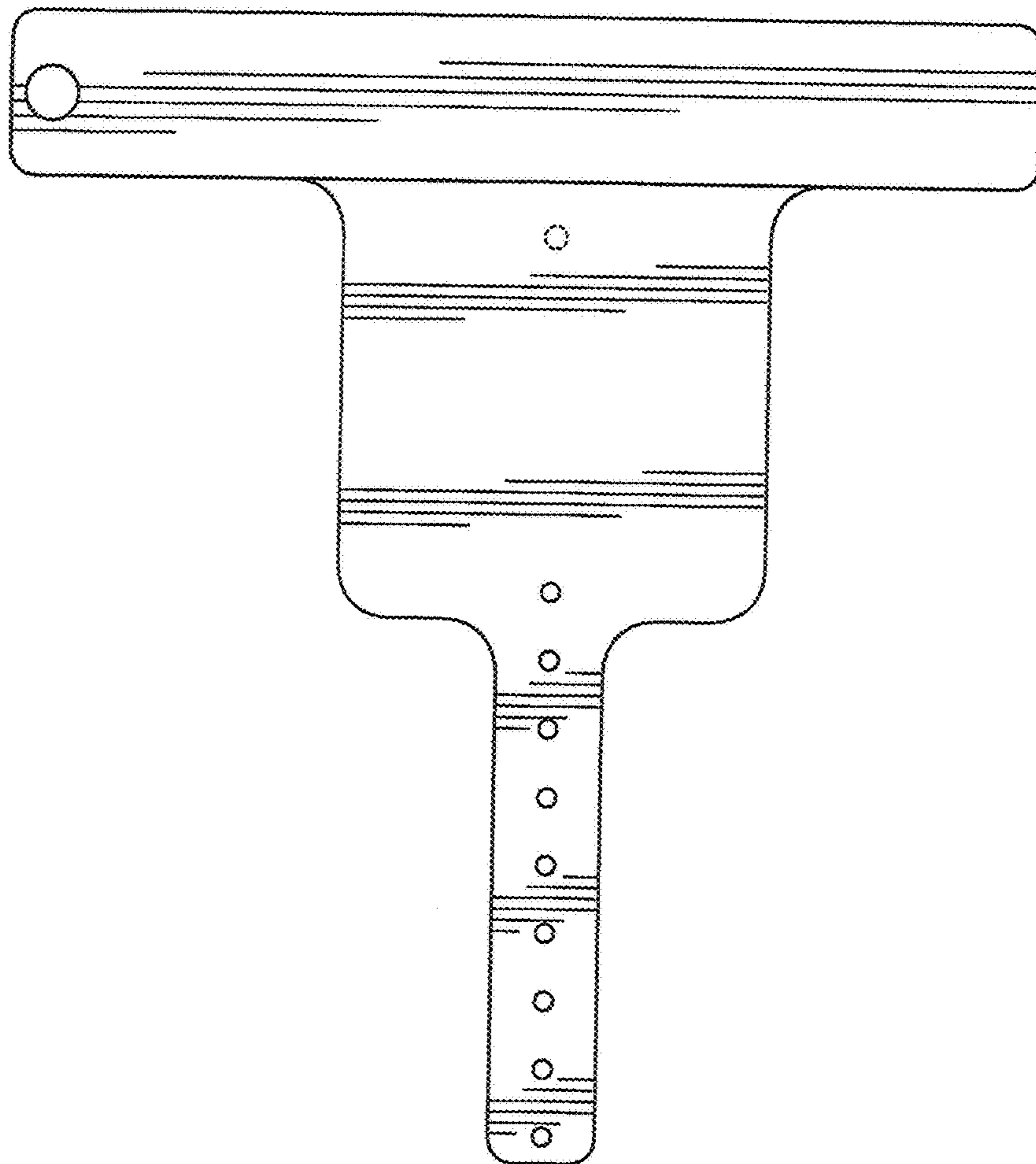


FIG. 4



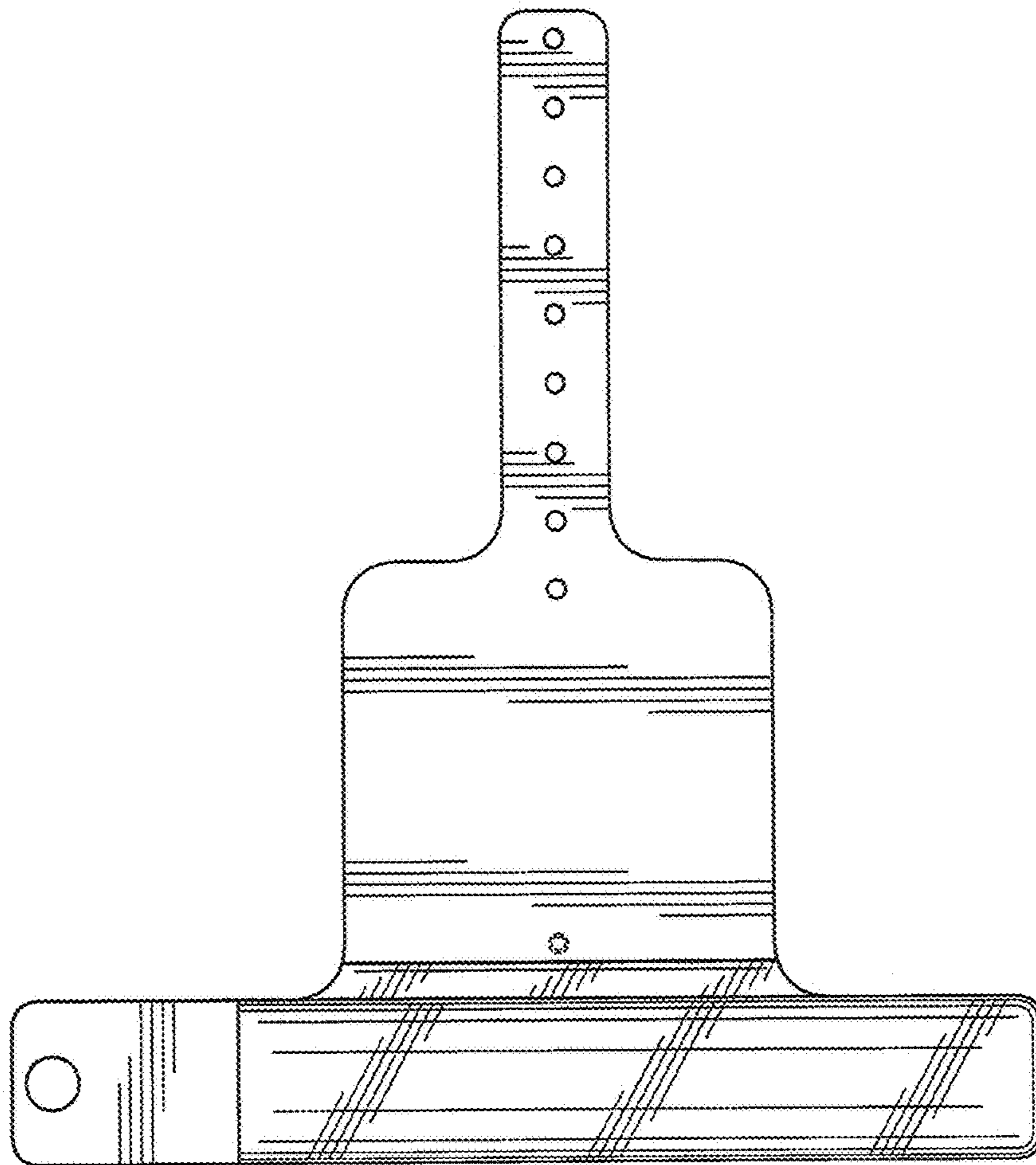


FIG. 5



FIG. 6



FIG. 7

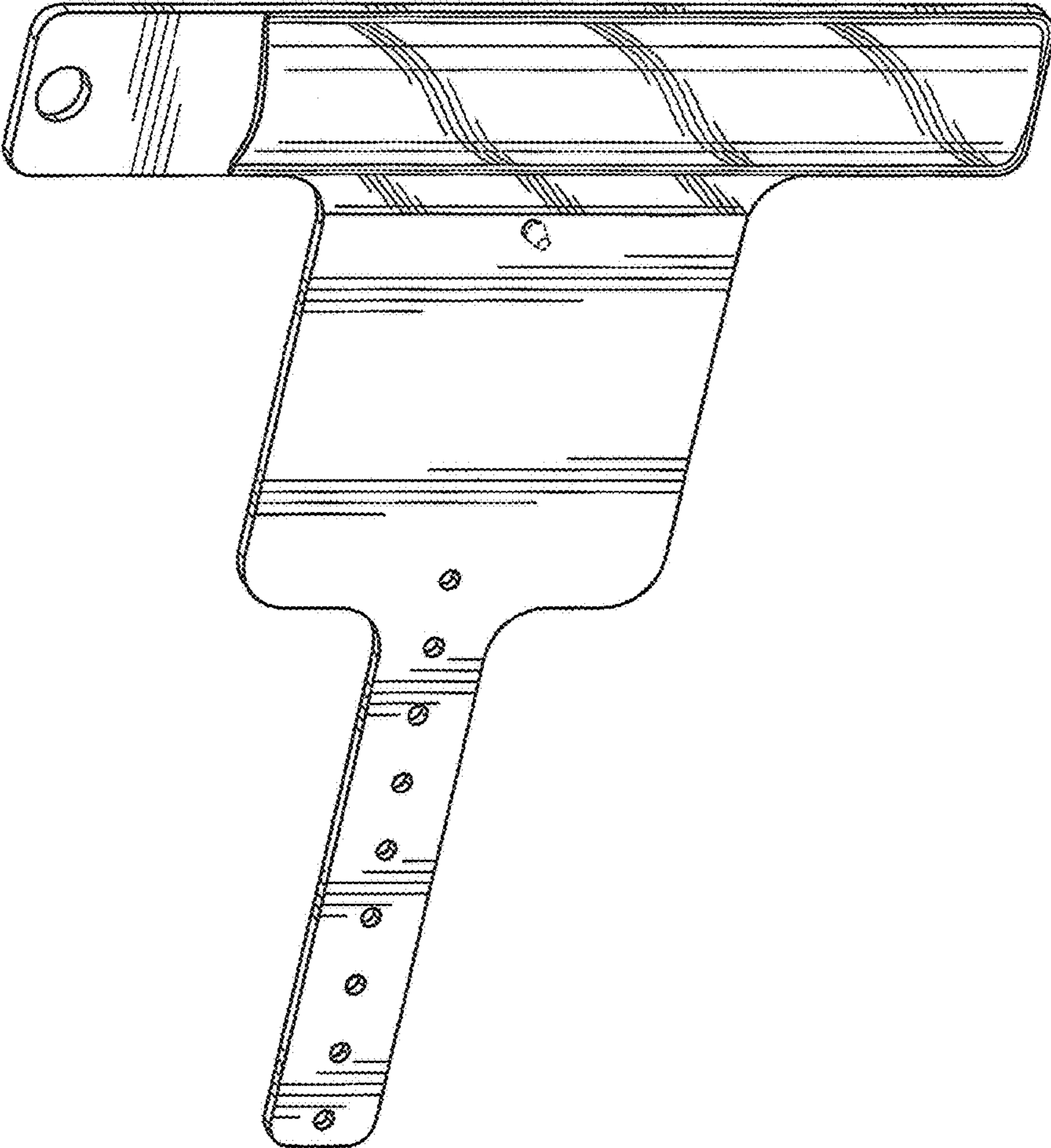


FIG. 8



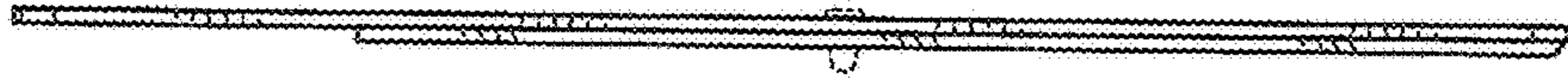


FIG. 9

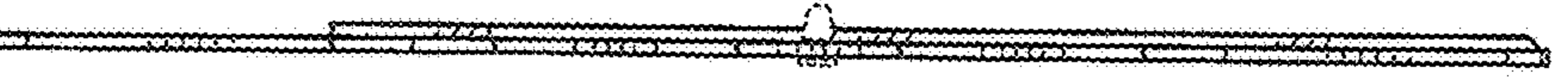


FIG. 10

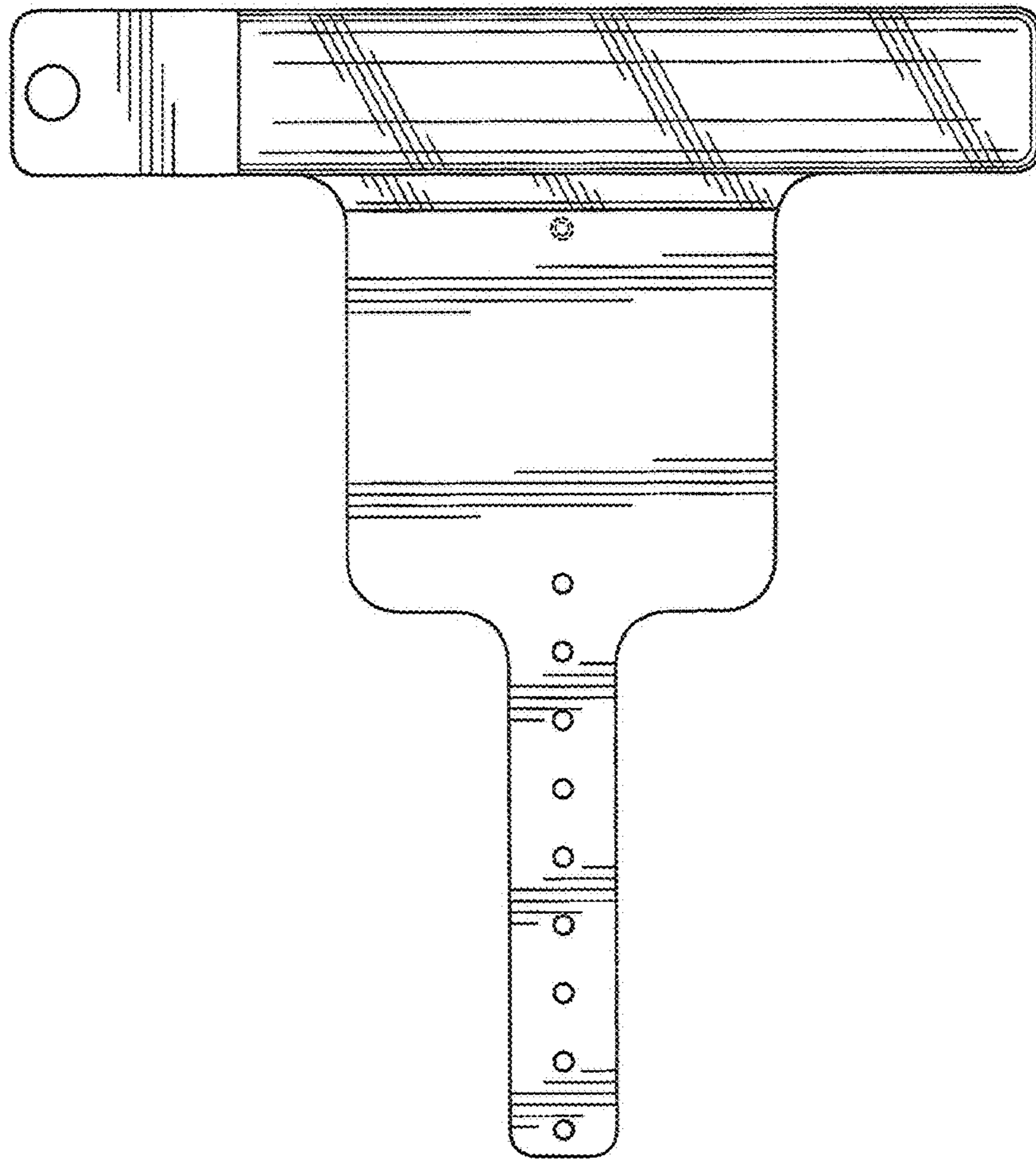


FIG. 11

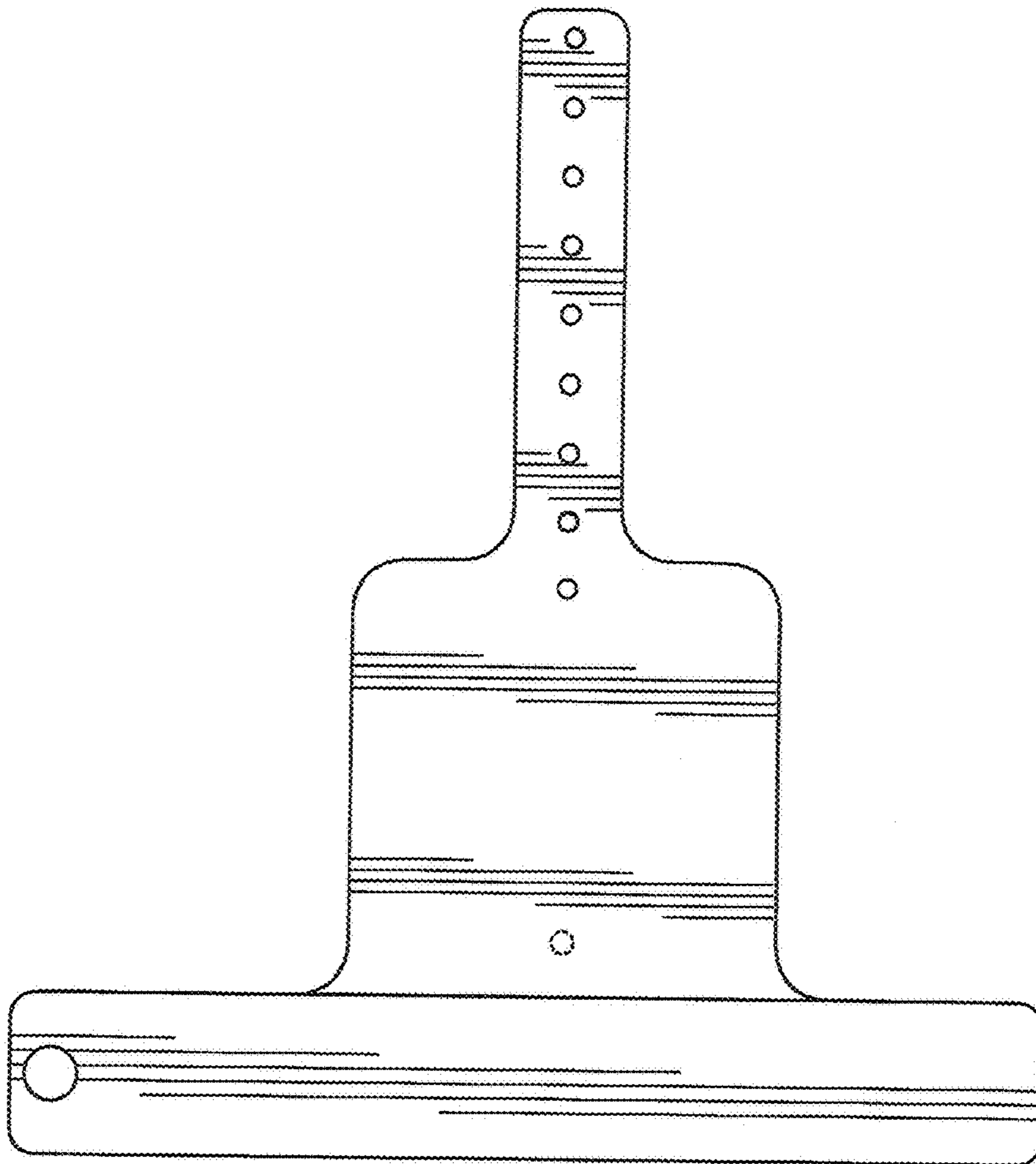


FIG. 12



FIG. 13



FIG. 14

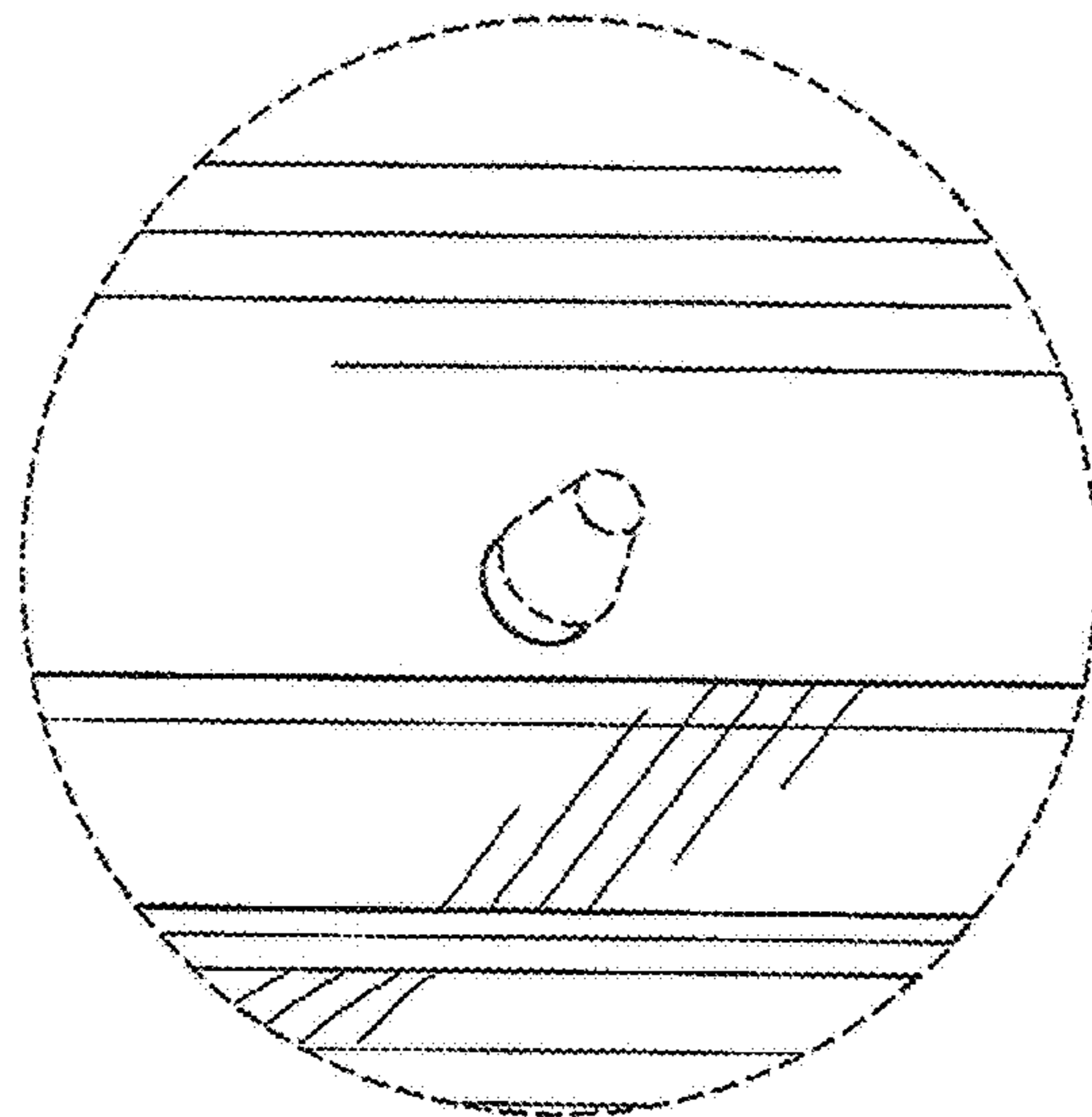


FIG. 15