



US00D928943S

(12) **United States Design Patent**
Leibovici

(10) **Patent No.:** **US D928,943 S**

(45) **Date of Patent:** **** Aug. 24, 2021**

- (54) **MEDICAL DEVICE**
- (71) Applicant: **Leibovici LLC**, Wellington, FL (US)
- (72) Inventor: **Jacob Leibovici**, Wellington, FL (US)
- (73) Assignee: **Leibovici, LLC**, Wellington, FL (US)
- (**) Term: **15 Years**
- (21) Appl. No.: **29/721,980**
- (22) Filed: **Jan. 24, 2020**
- (51) **LOC (13) Cl.** **24-02**
- (52) **U.S. Cl.**
USPC **D24/114**
- (58) **Field of Classification Search**
USPC D24/112-114, 108, 133, 130, 127, 186;
606/181, 185; 604/264, 272, 187, 181,
604/184, 227
CPC A61M 5/3205; A61M 5/008; A61M 5/24;
A61M 5/178; A61M 3/00; A61M 5/20;
A61M 5/31; A61M 5/3146; A61M 5/3129
See application file for complete search history.

6,565,054	B2 *	5/2003	Weesner	A61M 5/008 248/229.17
8,475,403	B2 *	7/2013	Melsheimer	A61M 5/3293 604/43
8,992,488	B2 *	3/2015	Ingram	A61J 7/0053 604/218
9,241,870	B2 *	1/2016	Horn	B43K 23/001
9,248,552	B2 *	2/2016	Santos	B25B 7/02
9,789,266	B2 *	10/2017	Mide	A61M 5/346
9,889,259	B2 *	2/2018	Mide	A61M 5/347
10,806,861	B2 *	10/2020	Lee	A61M 5/3205
10,898,411	B1 *	1/2021	Born	A61J 1/16
2009/0254030	A1 *	10/2009	Sarraf	A61J 7/0053 604/77

* cited by examiner

Primary Examiner — David G Muller

(74) *Attorney, Agent, or Firm* — McHale & Slavin, P.A.

(57) **CLAIM**

The ornamental design for a medical device, as shown and described.

DESCRIPTION

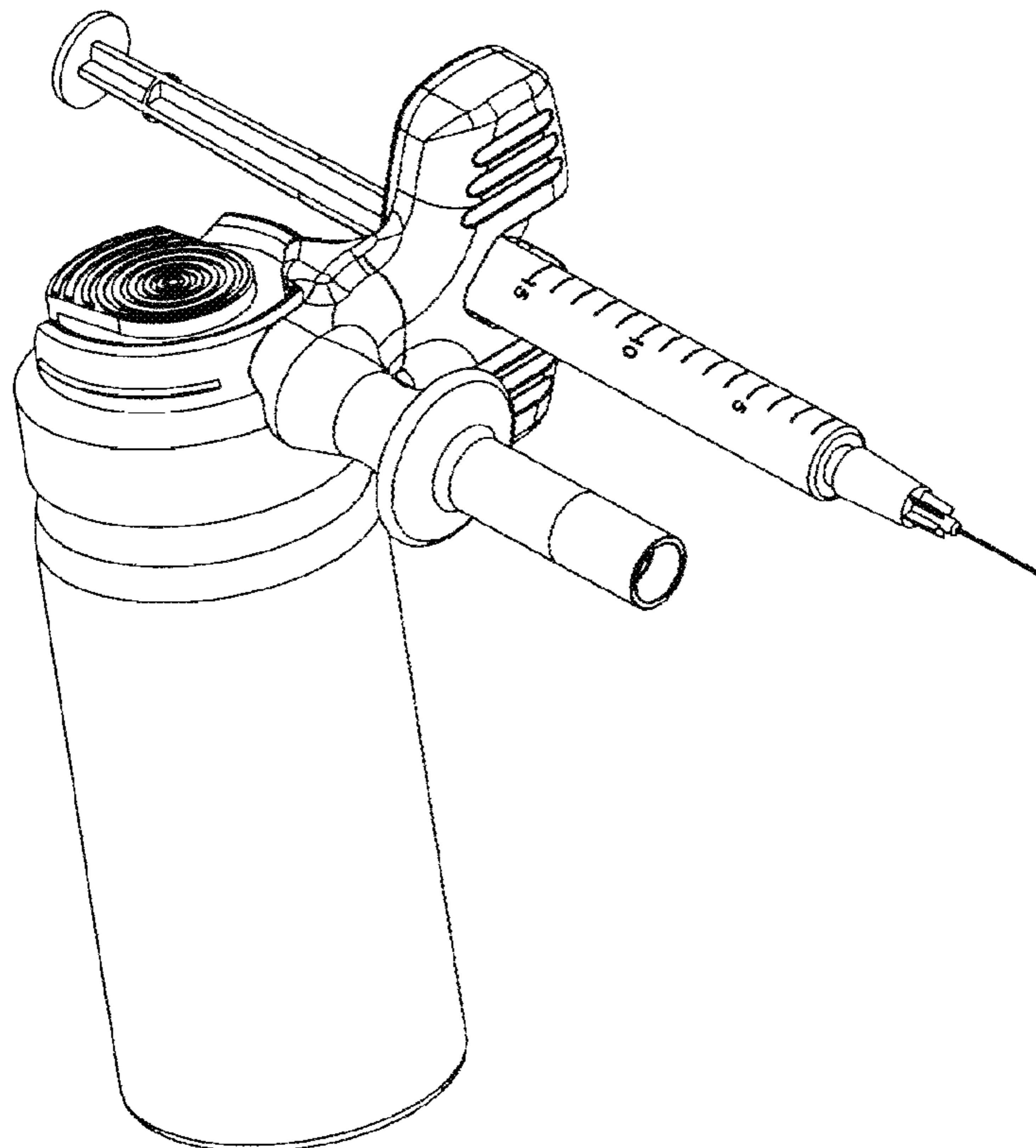
FIG. 1 is a top front left perspective view of the medical device of the present invention;
 FIG. 2 is a top front right perspective view thereof;
 FIG. 3 is a left side view thereof;
 FIG. 4 is a right side view thereof;
 FIG. 5 is a front view thereof;
 FIG. 6 is a rear view thereof; and,
 FIG. 7 is a top view thereof.

1 Claim, 7 Drawing Sheets

(56) **References Cited**

U.S. PATENT DOCUMENTS

5,290,261	A *	3/1994	Smith, Jr.	A61M 5/3129 433/49
5,354,284	A *	10/1994	Haber	A61M 5/19 604/191
D363,211	S *	10/1995	Noble	D8/371



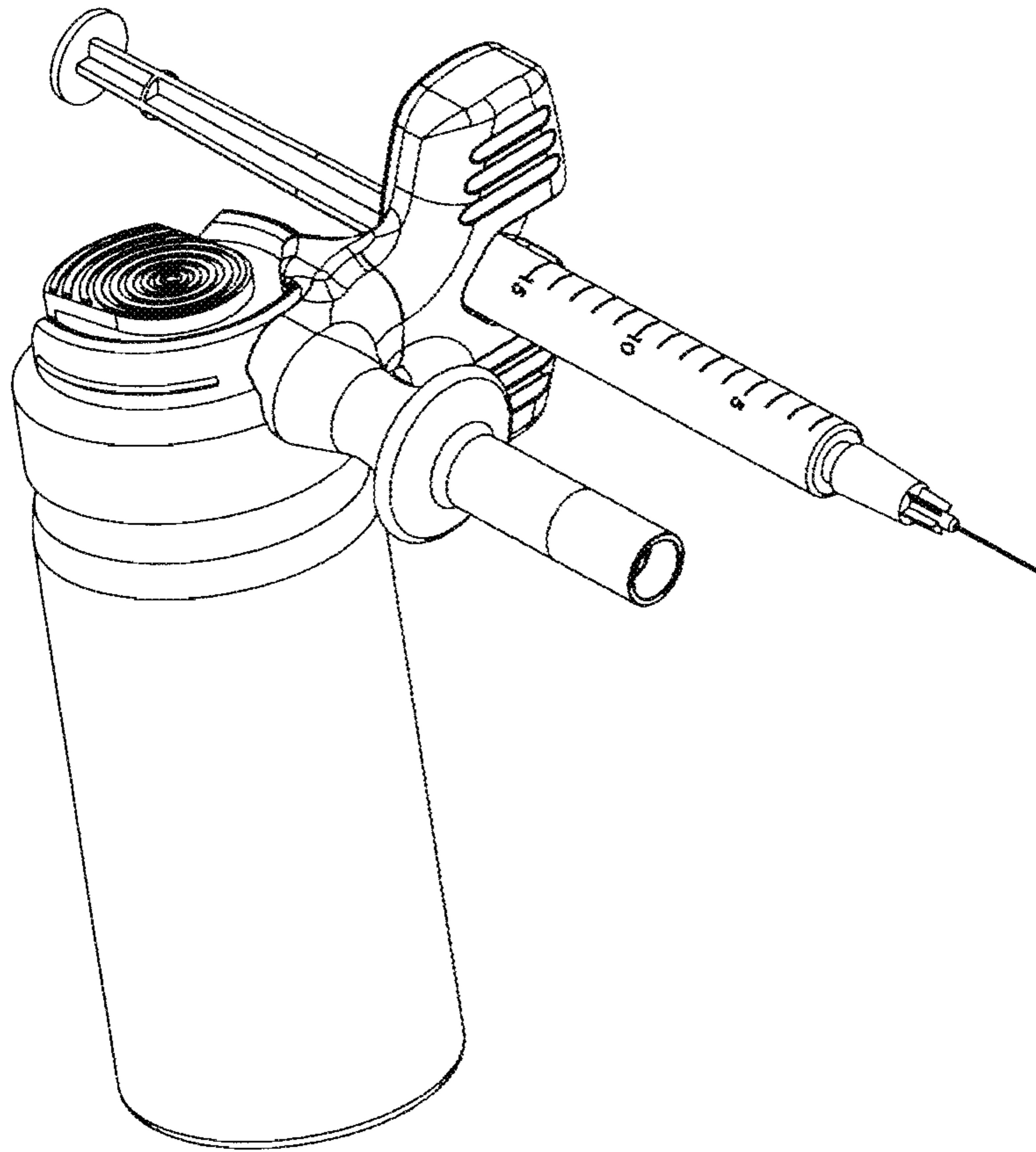


Fig. 1

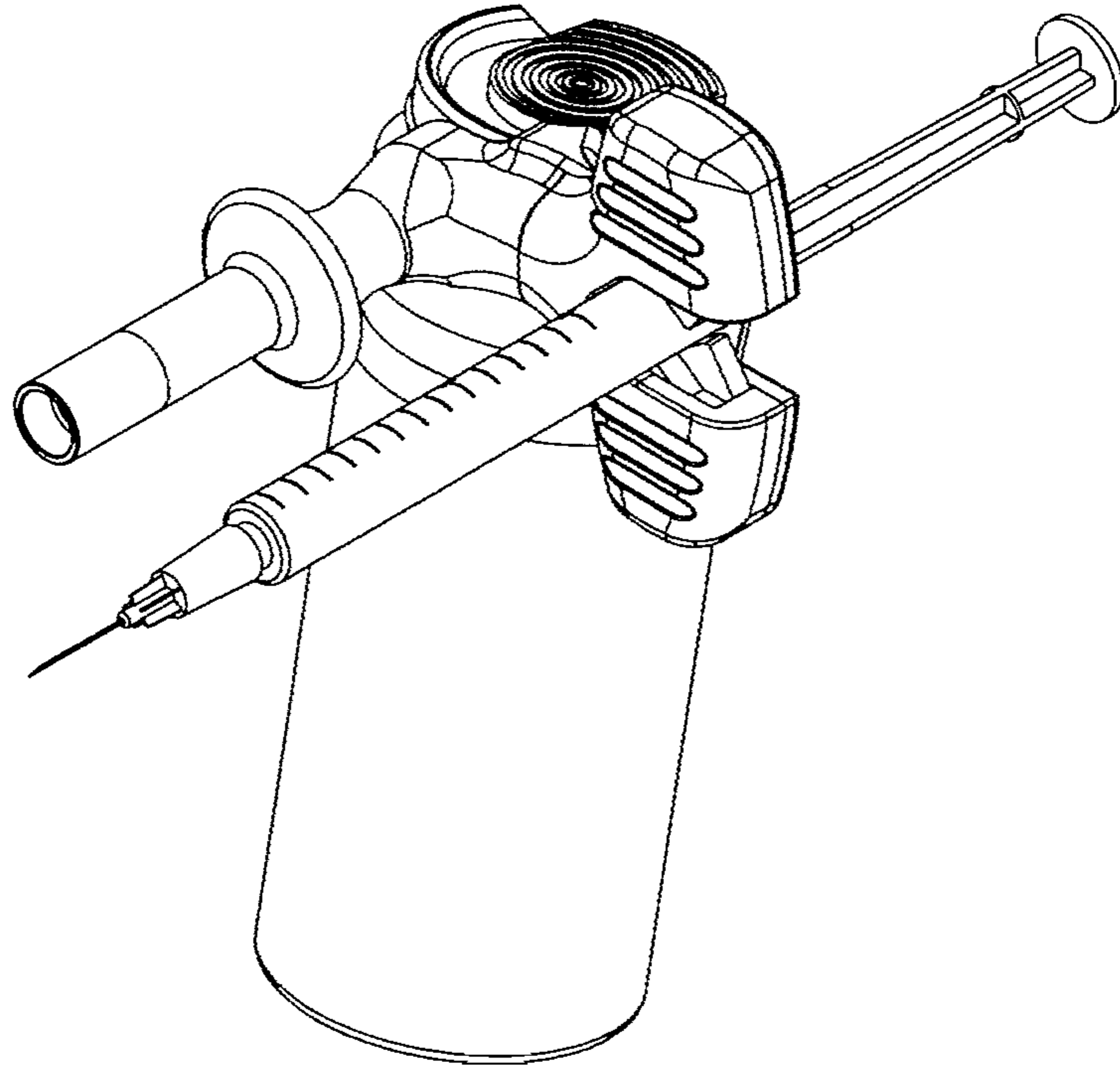


Fig. 2

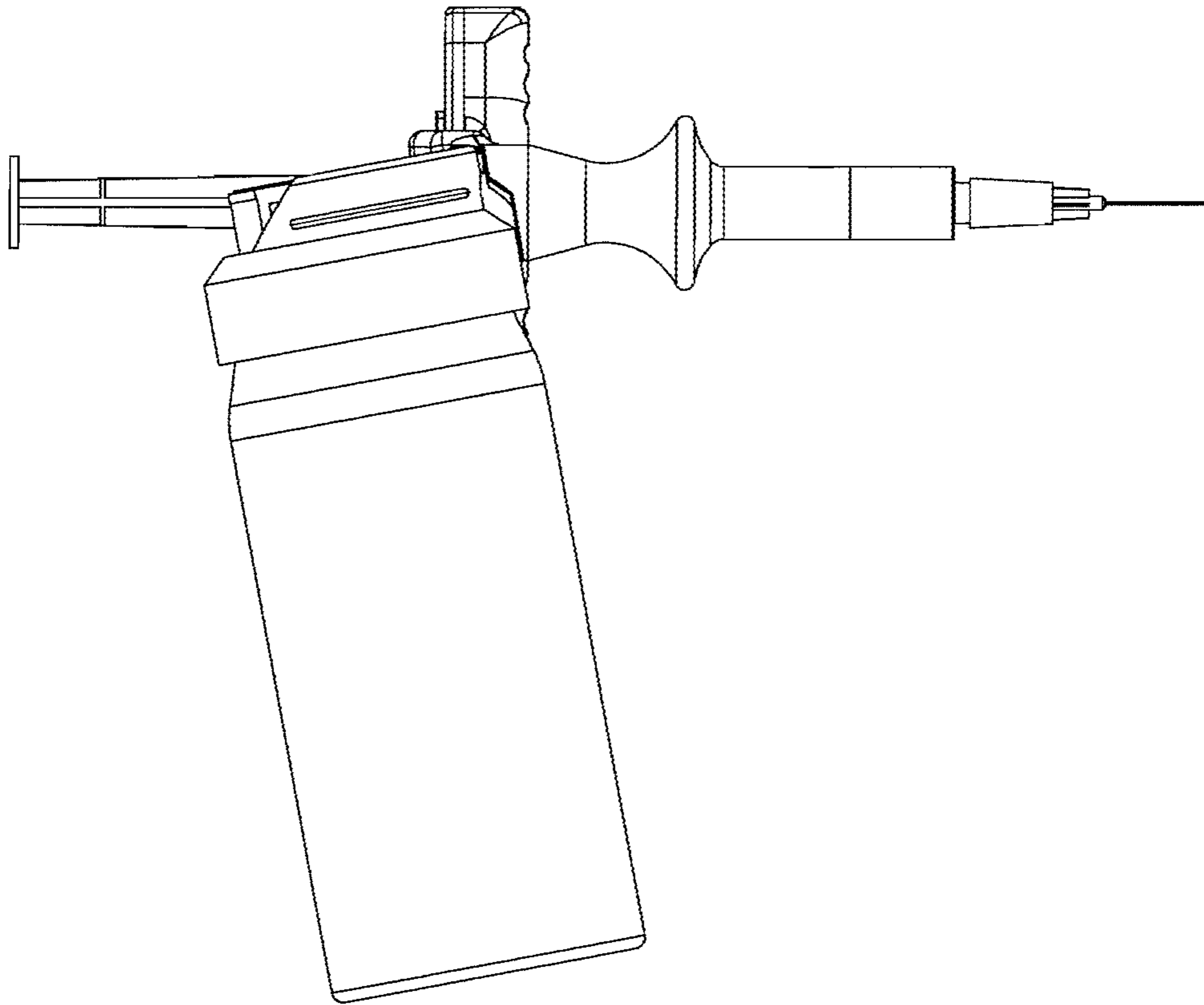


Fig. 3

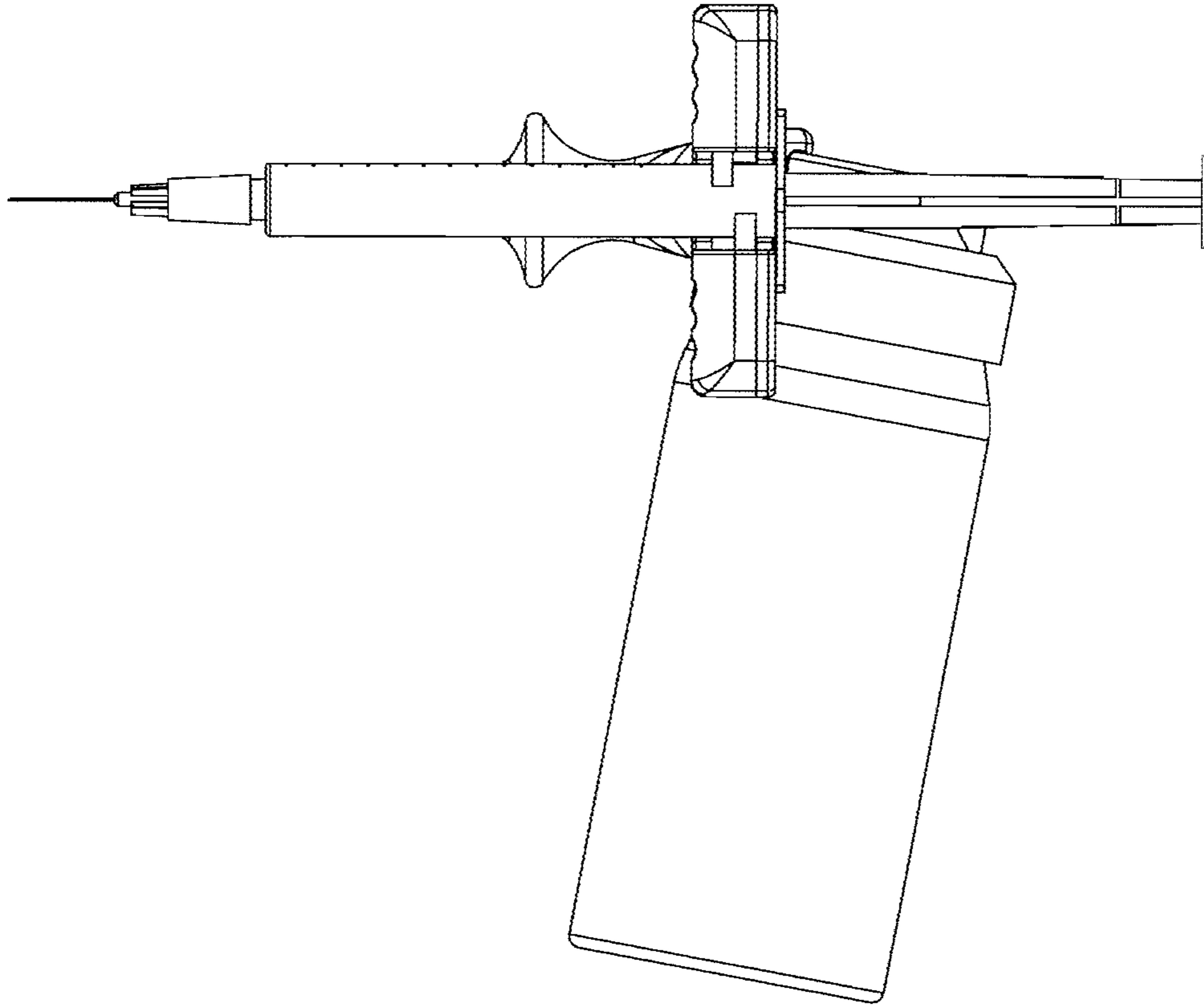


Fig. 4

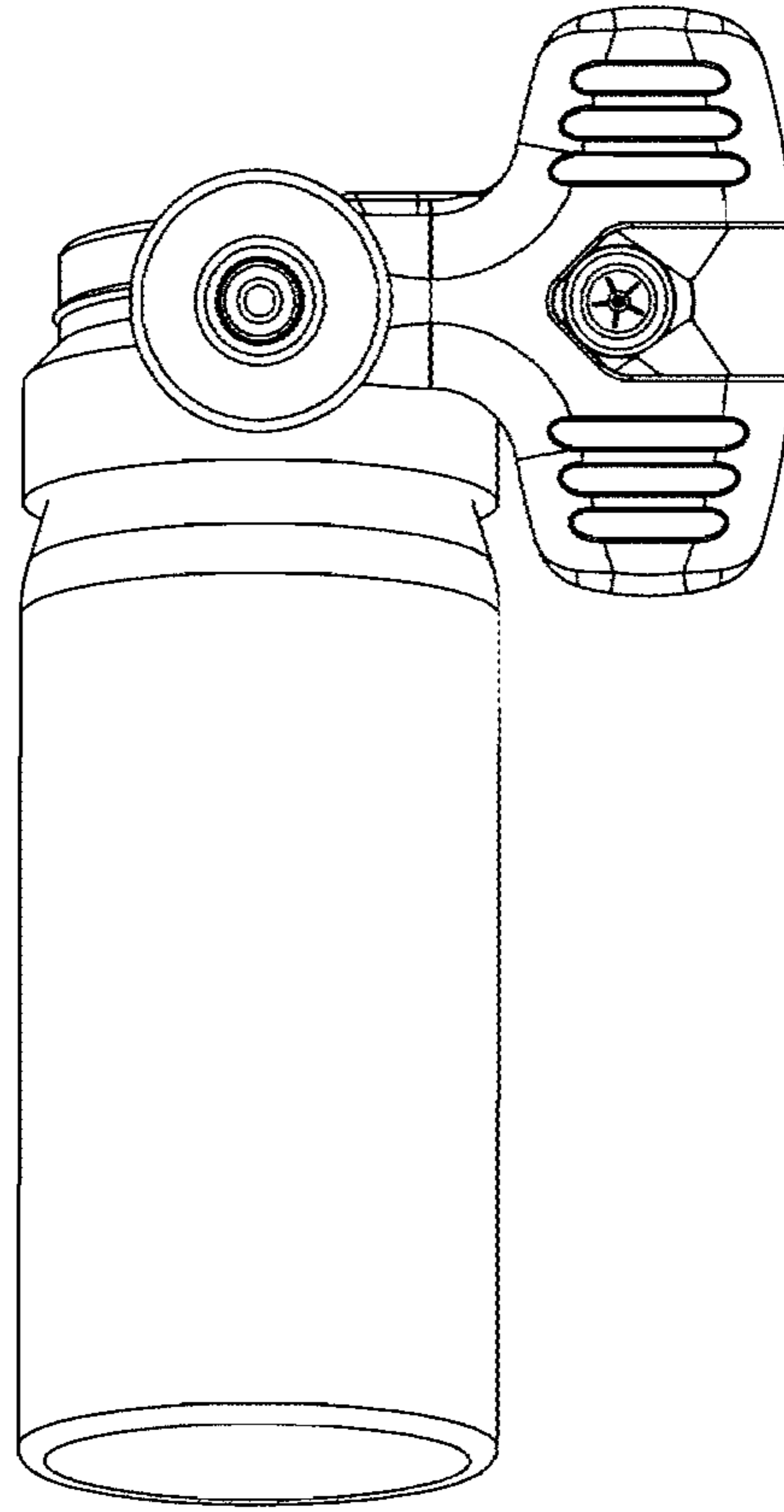


Fig. 5

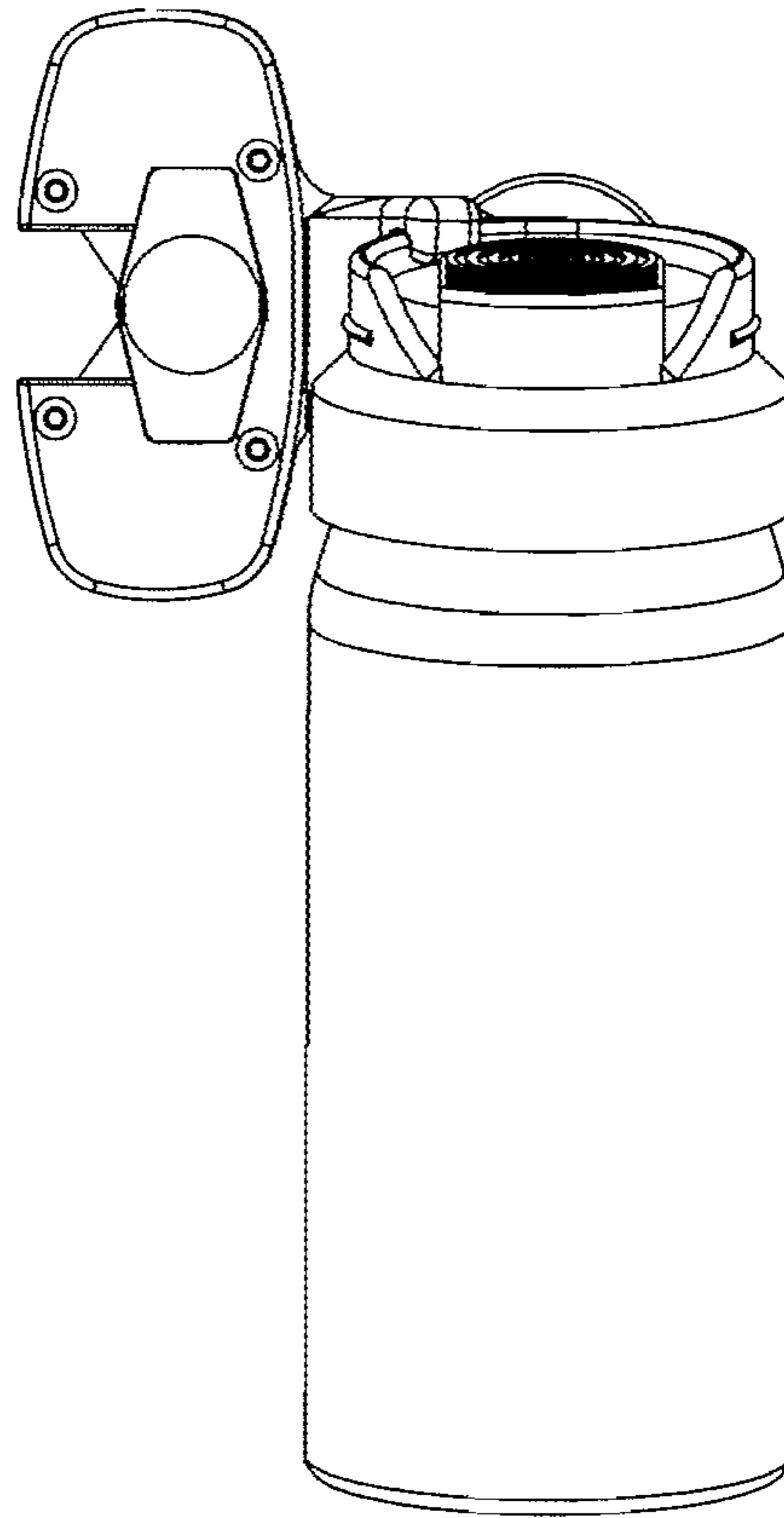


Fig. 6

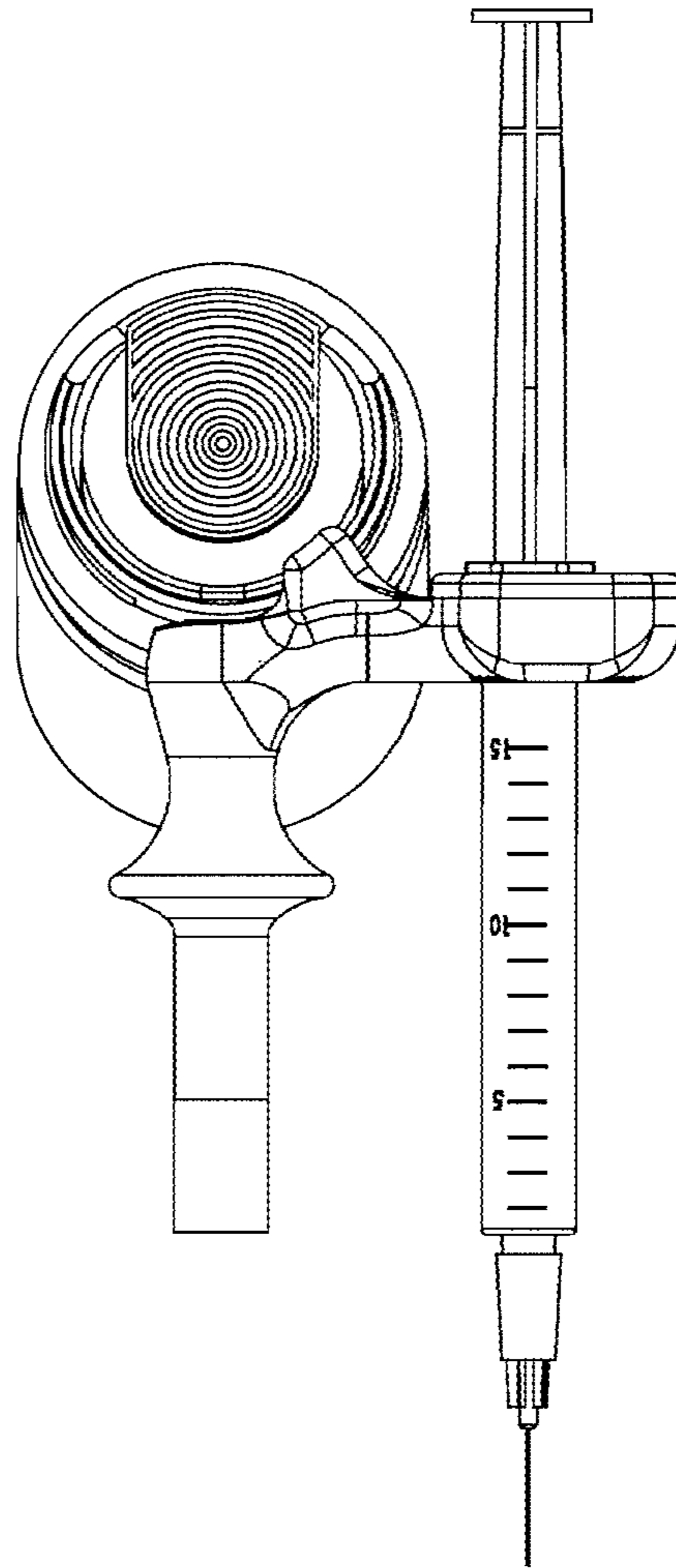


Fig. 7