



US00D928942S

(12) **United States Design Patent**
Cammish et al.

(10) **Patent No.:** **US D928,942 S**

(45) **Date of Patent:** **** Aug. 24, 2021**

(54) **INJECTION DEVICE**

(71) Applicant: **NOVARTIS AG**, Basel (CH)

(72) Inventors: **Neil Cammish**, Manchester (GB); **John Palmer-Felgate**, Horsham (GB); **Mark Horlock**, Warrington (GB); **Congyi Huang**, Klagenfurt (AT); **Adrian Von Muralt**, Basel (CH)

(73) Assignee: **NOVARTIS AG**, Basel (CH)

(**) Term: **15 Years**

(21) Appl. No.: **29/716,824**

(22) Filed: **Dec. 12, 2019**

(30) **Foreign Application Priority Data**

Jun. 13, 2019 (EP) 006577045

(51) **LOC (13) Cl.** **24-02**

(52) **U.S. Cl.**
USPC **D24/113**

(58) **Field of Classification Search**
USPC D24/112–114, 108, 133, 130, 127, 186;
606/181, 185; 604/264, 272, 187, 181,
604/184, 227
CPC A61M 5/178; A61M 3/00; A61M 5/20;
A61M 5/31; A61M 5/3146; A61M
5/3129; A61M 5/3148; A61M 5/315
See application file for complete search history.

(56) **References Cited**

U.S. PATENT DOCUMENTS

7,651,512 B2 * 1/2010 Chelak A61B 5/1519
606/181
D827,127 S * 8/2018 Donnelly D24/113

D830,539 S * 10/2018 Boyaval D24/113
D841,155 S * 2/2019 McMenamin D24/130
D841,156 S * 2/2019 McMenamin D24/130
D862,690 S * 10/2019 Jansen D24/113
D869,647 S * 12/2019 Dorsey D24/112
D888,942 S * 6/2020 Cannamela D24/114
D897,184 S * 9/2020 Perkins, Jr. D8/303
D897,185 S * 9/2020 Perkins, Jr. D8/303
D903,856 S * 12/2020 Nicholas D24/113
D910,836 S * 2/2021 Sandberg D24/112
D910,837 S * 2/2021 Ono D24/112

* cited by examiner

Primary Examiner — David G Muller

(74) *Attorney, Agent, or Firm* — Smith IP Services, P.C.

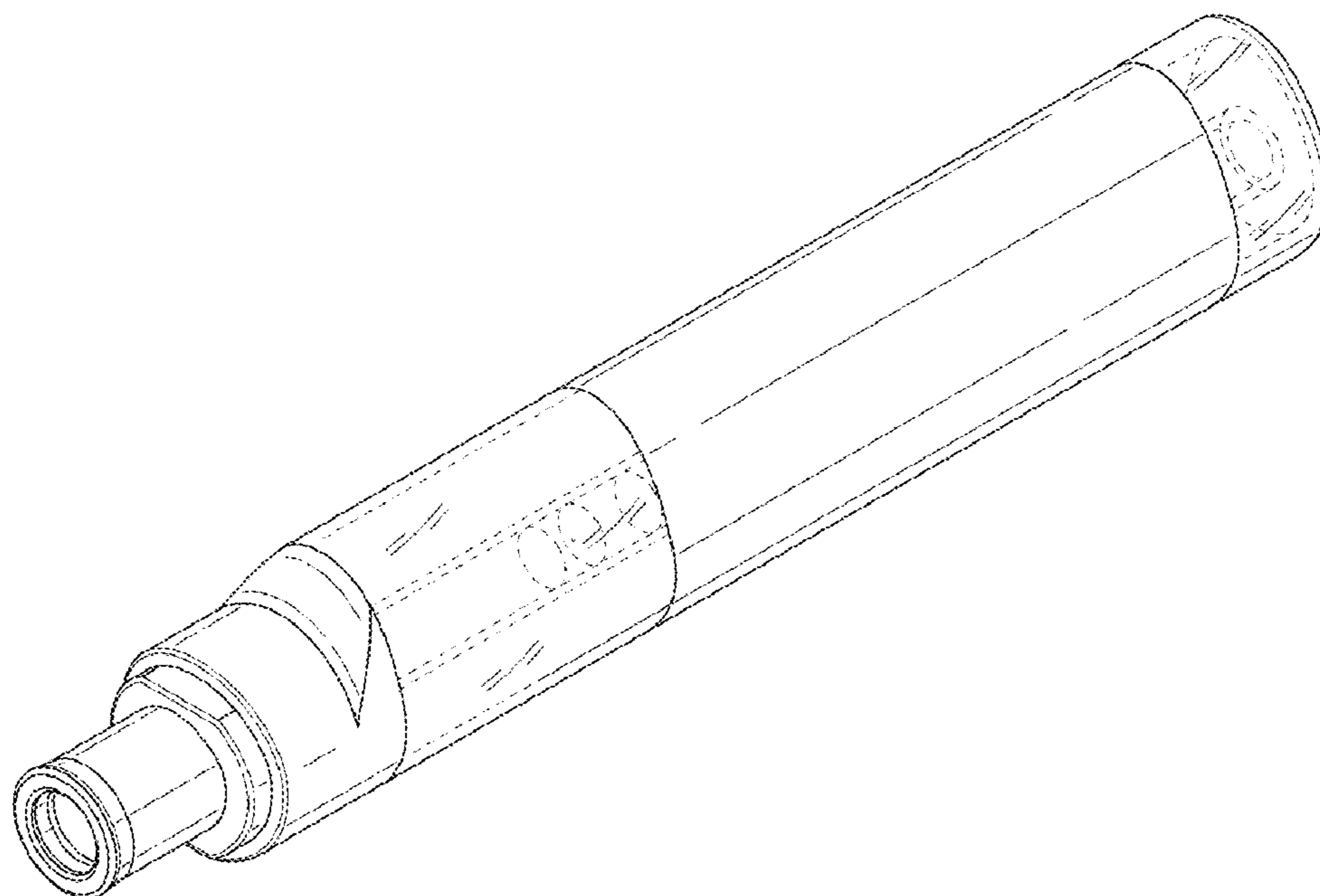
(57) **CLAIM**

The ornamental design for an injection device, as shown and described.

DESCRIPTION

FIG. 1 is a top perspective view of an injection device, showing the new design.
FIG. 2 is a front elevational view of the injection device.
FIG. 3 is a rear elevational view of the injection device.
FIG. 4 is a right side elevational view of the injection device.
FIG. 5 is a left side elevational view of the injection device.
FIG. 6 is a top view of the injection device; and,
FIG. 7 is a bottom view of the injection device.
Portions of the design shown in broken lines are visible through transparent components of the injection device and form no part of the design as claimed.

1 Claim, 2 Drawing Sheets



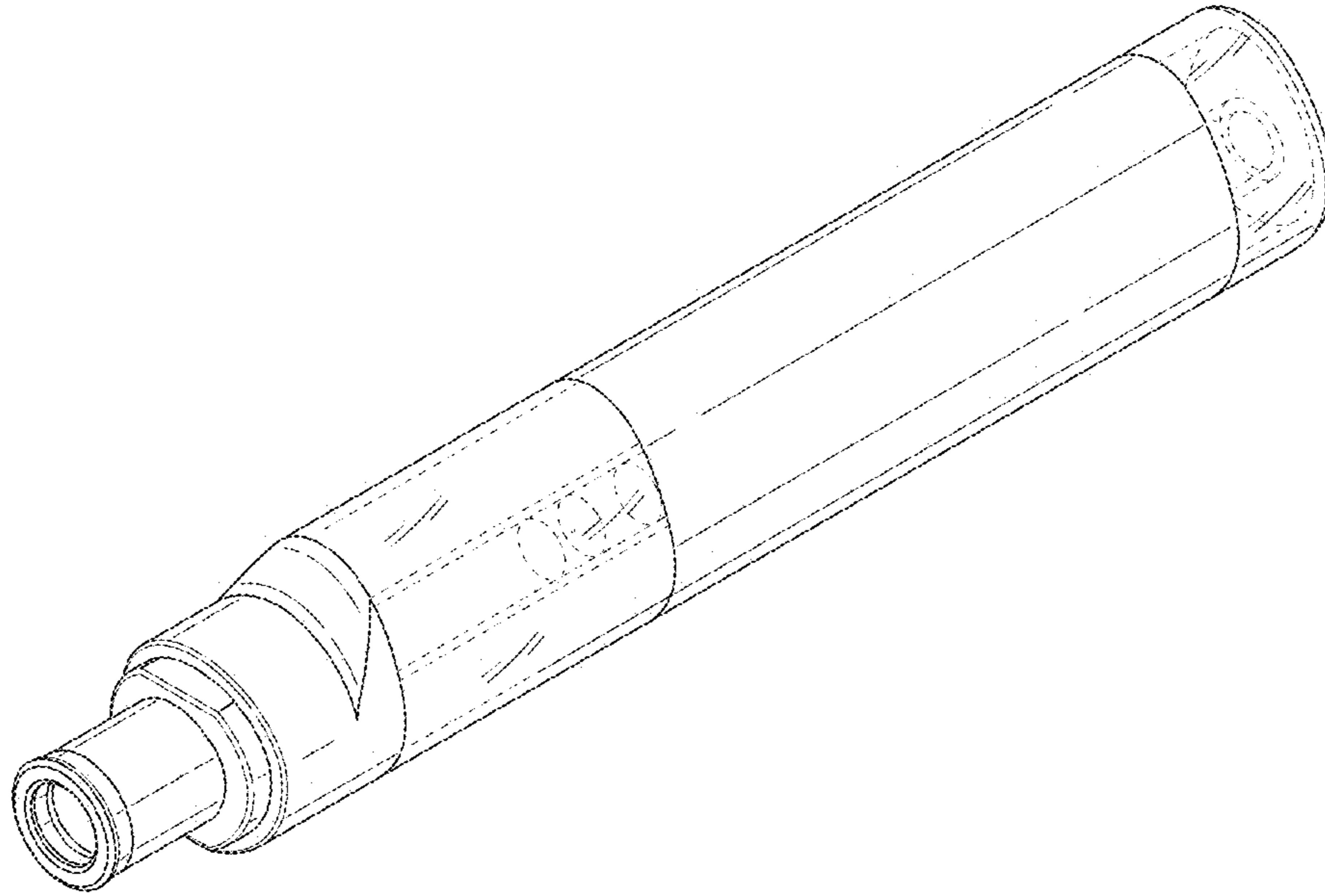


Fig. 1

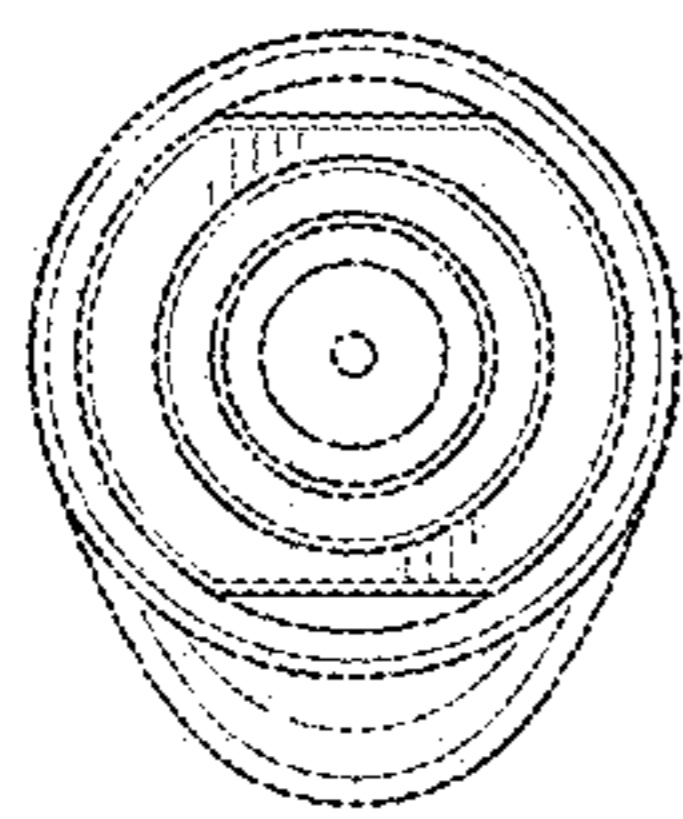


Fig. 2

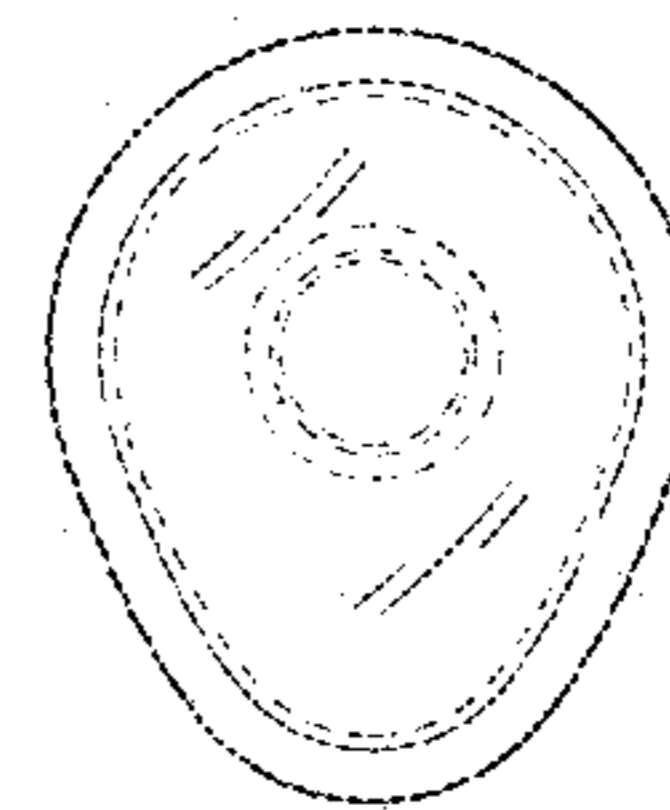


Fig. 3

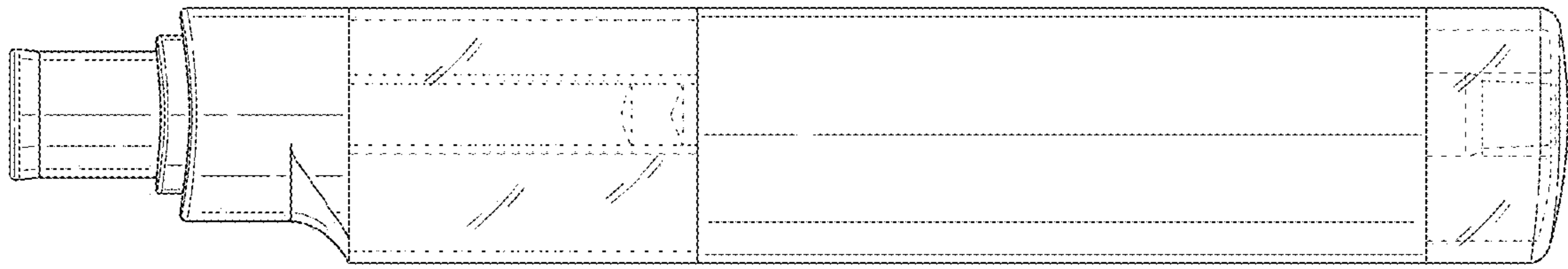


Fig. 4

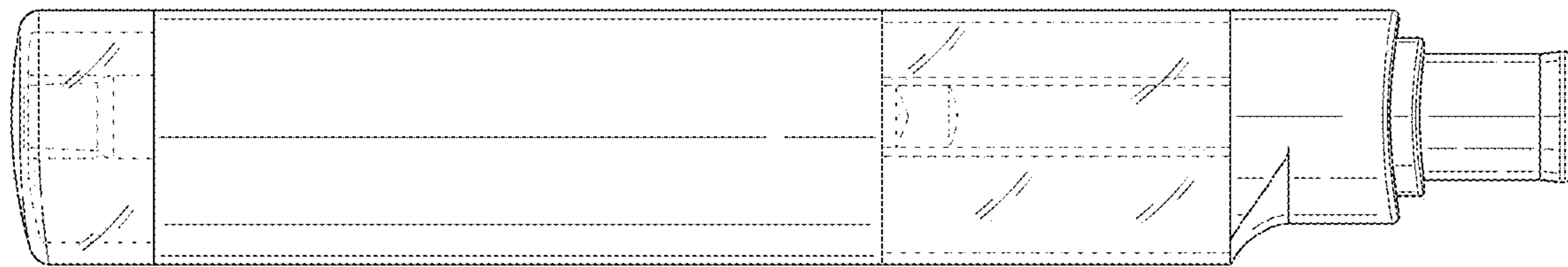


Fig. 5

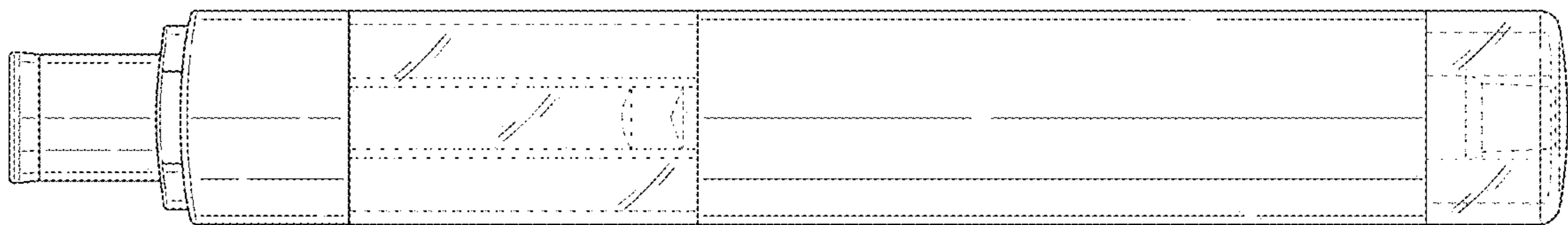


Fig. 6

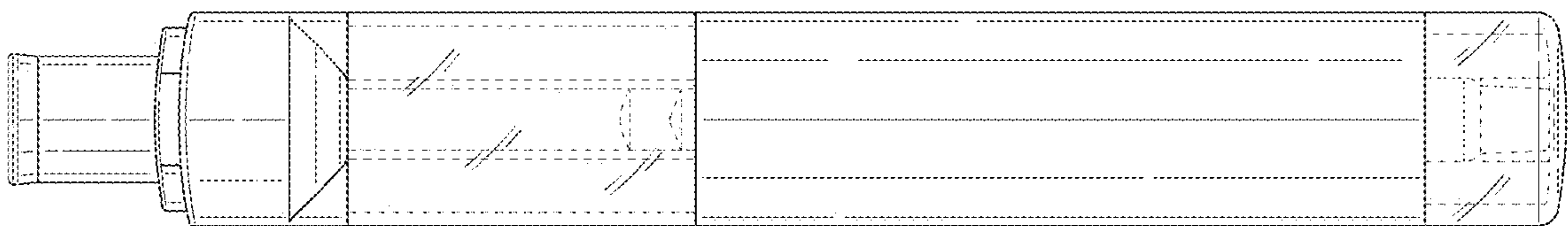


Fig. 7