



US00D928941S

(12) **United States Design Patent** (10) **Patent No.:** **US D928,941 S**
Cammish et al. (45) **Date of Patent:** **** Aug. 24, 2021**

(54) **INJECTION DEVICE**
(71) Applicant: **NOVARTIS AG**, Basel (CH)
(72) Inventors: **Neil Cammish**, Manchester (GB); **John Palmer-Felgate**, Horsham (GB); **Mark Horlock**, Warrington (GB); **Congyi Huang**, Klagenfurt (AT); **Adrian Von Muralt**, Basel (CH)

D830,539 S *	10/2018	Boyaval	D24/113
D841,155 S *	2/2019	McMenamin	D24/130
D841,156 S *	2/2019	McMenamin	D24/130
D862,690 S *	10/2019	Jansen	D24/113
D869,647 S *	12/2019	Dorsey	D24/112
D888,942 S *	6/2020	Cannamela	D24/114
D897,184 S *	9/2020	Perkins, Jr.	D8/303
D897,185 S *	9/2020	Perkins, Jr.	D8/303
D903,856 S *	12/2020	Nicholas	D24/113
D910,836 S *	2/2021	Sandberg	D24/112
D910,837 S *	2/2021	Ono	D24/112

(73) Assignee: **NOVARTIS AG**, Basel (CH)
(**) Term: **15 Years**

* cited by examiner
Primary Examiner — David G Muller
(74) *Attorney, Agent, or Firm* — Smith IP Services, P.C.

(21) Appl. No.: **29/716,822**
(22) Filed: **Dec. 12, 2019**

(30) **Foreign Application Priority Data**

Jun. 13, 2019 (EM) 006577045
(51) **LOC (13) Cl.** **24-02**
(52) **U.S. Cl.**
USPC **D24/113**

(57) **CLAIM**

The ornamental design for an injection device, as shown and described.

(58) **Field of Classification Search**
USPC D24/112–114, 108, 133, 130, 127, 186;
606/181, 185; 604/264, 272, 187, 181,
604/184, 227
CPC A61M 5/178; A61M 3/00; A61M 5/20;
A61M 5/31; A61M 5/3146; A61M
5/3129; A61M 5/3148; A61M 5/315
See application file for complete search history.

DESCRIPTION

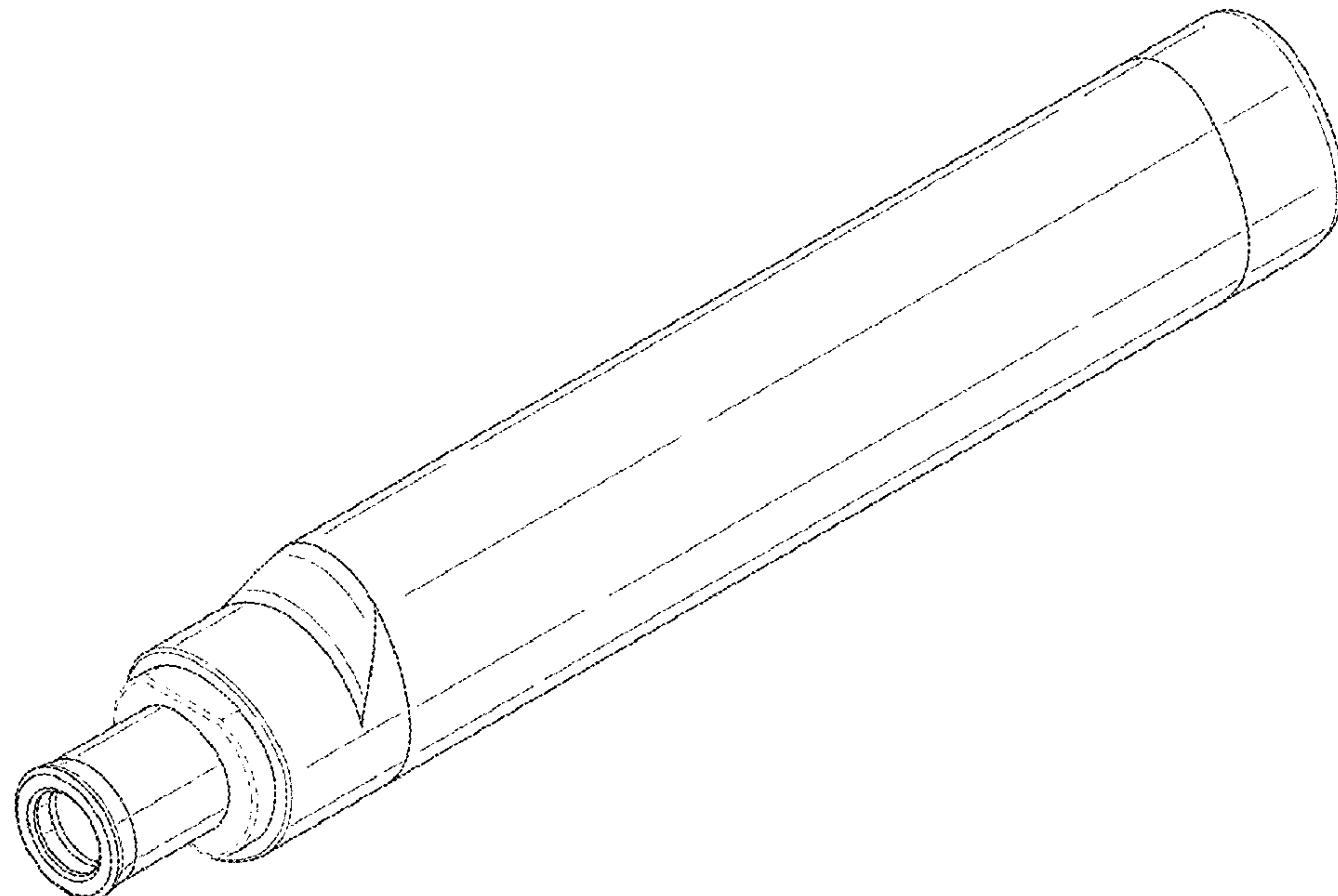
FIG. 1 is a top perspective view of an injection device, showing the new design.
FIG. 2 is a front elevational view of the injection device.
FIG. 3 is a rear elevational view of the injection device.
FIG. 4 is a right side elevational view of the injection device.
FIG. 5 is a left side elevational view of the injection device.
FIG. 6 is a top view of the injection device; and,
FIG. 7 is a bottom view of the injection device.
Portions of the injection device shown in broken lines form no part of the design as claimed.

(56) **References Cited**

U.S. PATENT DOCUMENTS

7,651,512 B2 * 1/2010 Chelak A61B 5/1519
606/181
D827,127 S * 8/2018 Donnelly D24/113

1 Claim, 2 Drawing Sheets



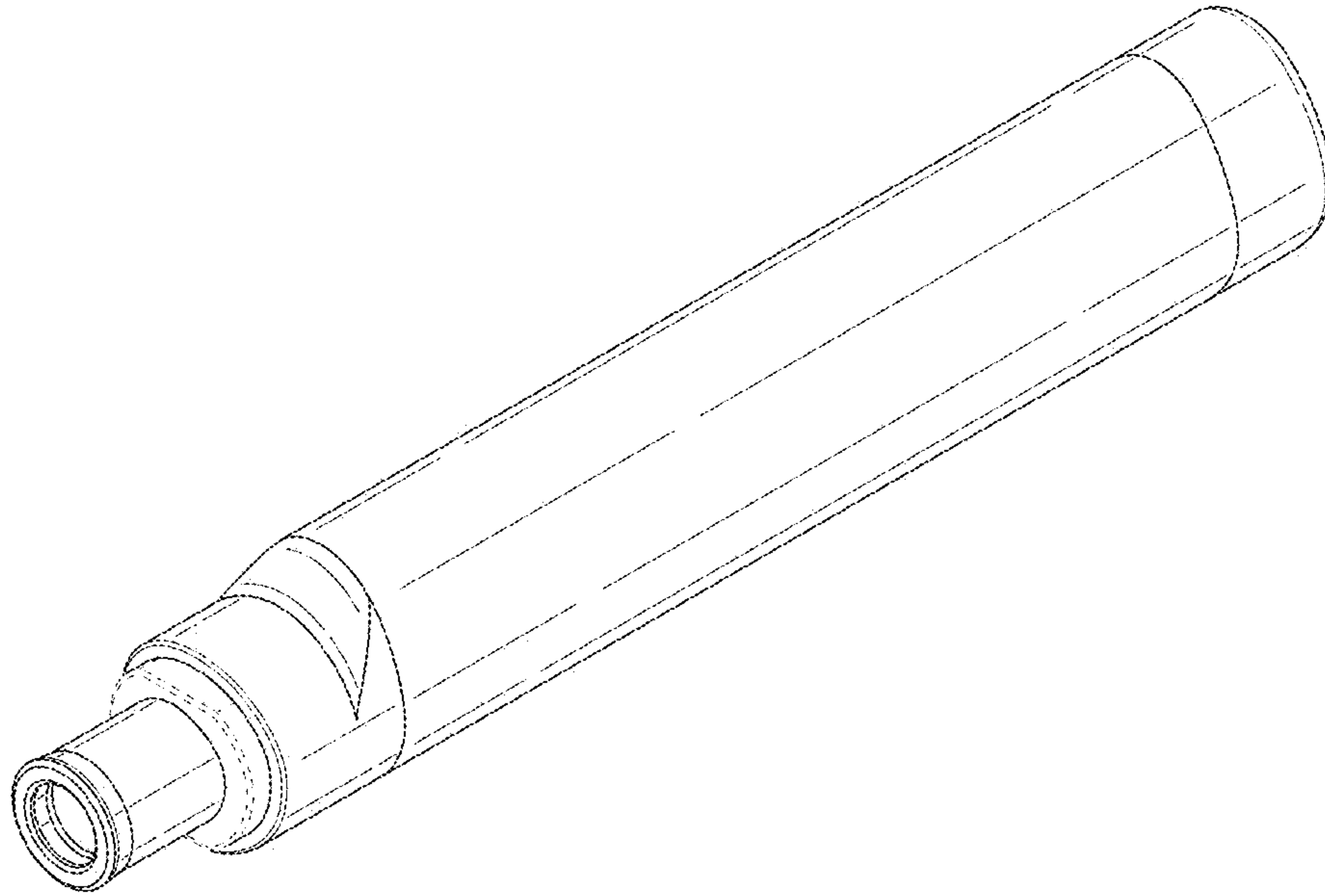


Fig. 1

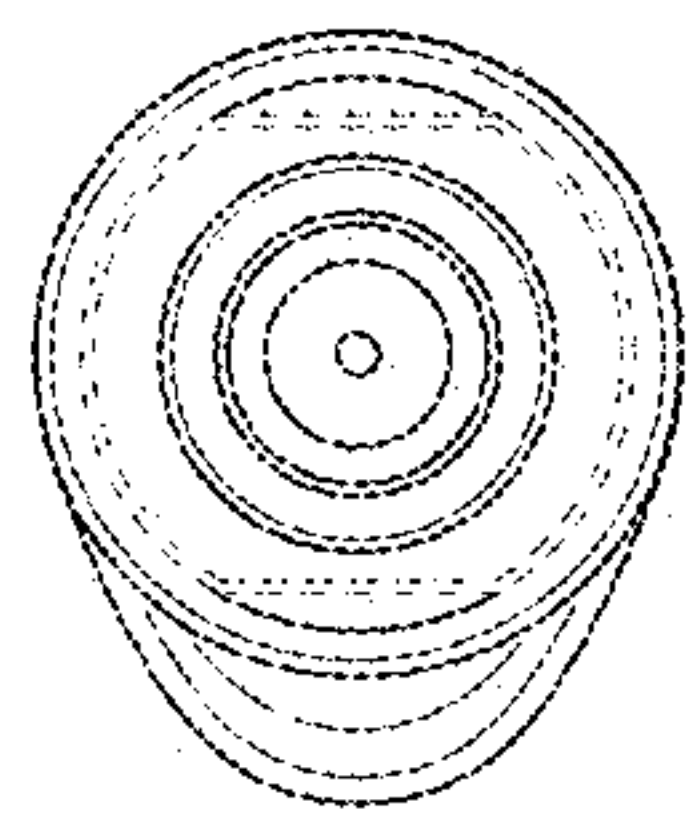


Fig. 2

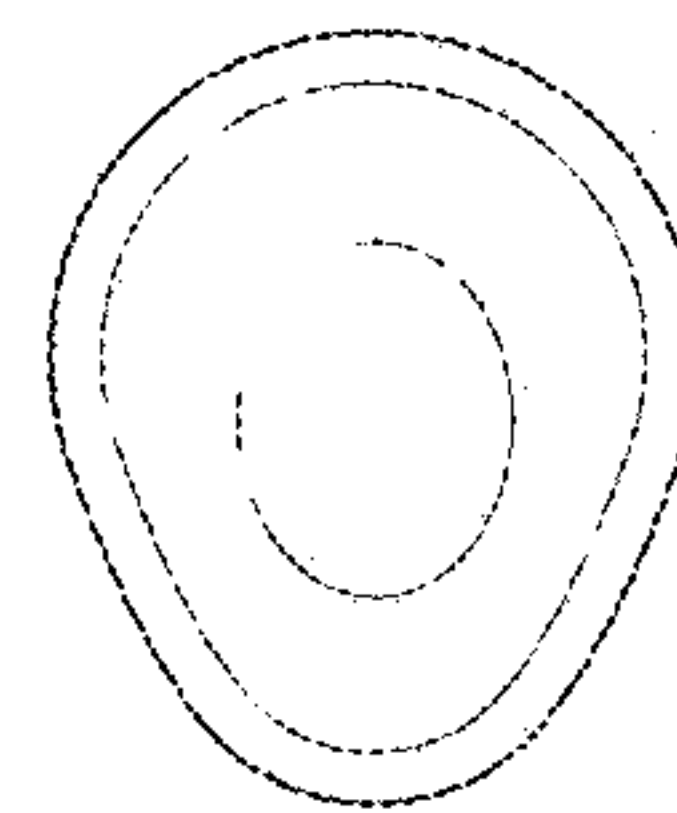


Fig. 3

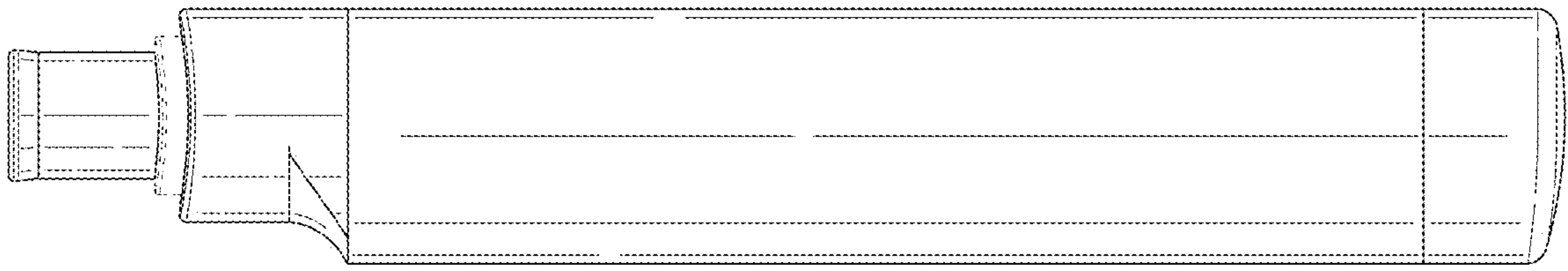


Fig. 4

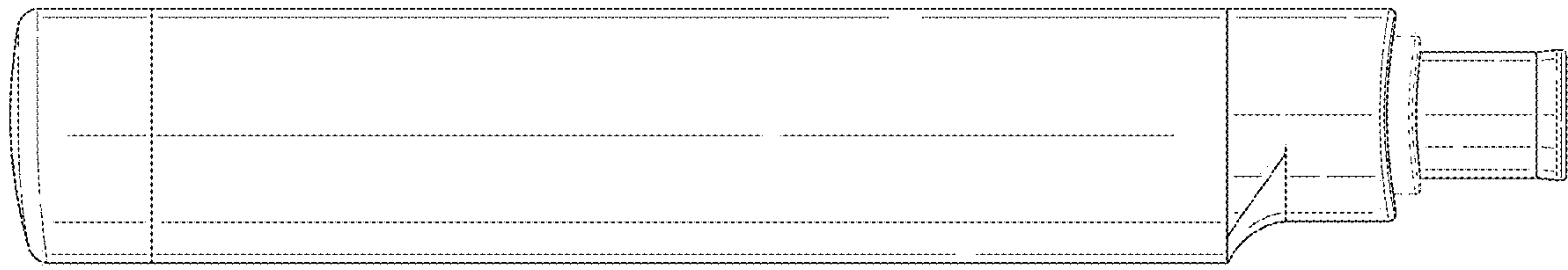


Fig. 5

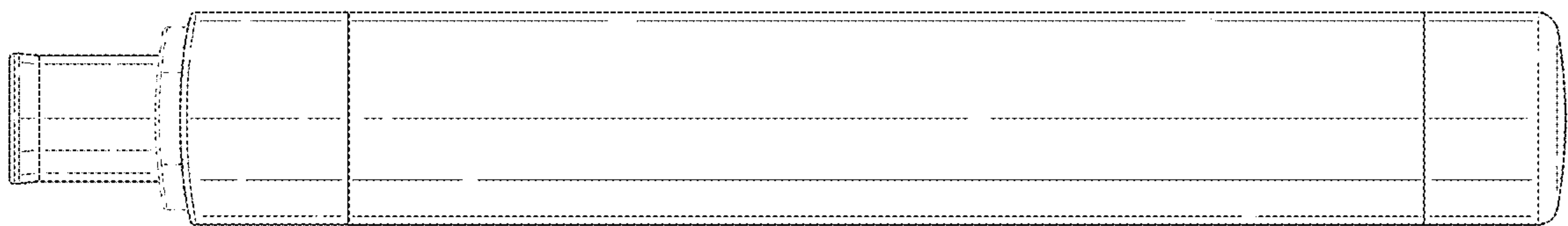


Fig. 6

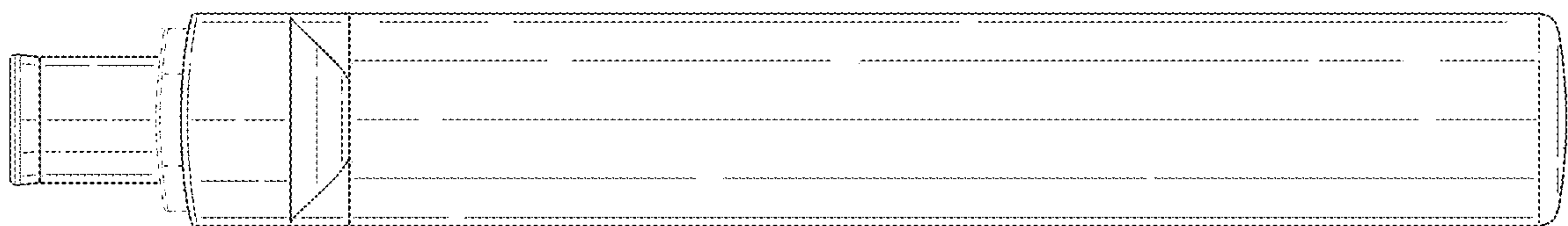


Fig. 7