



US00D928940S

(12) **United States Design Patent** (10) **Patent No.:** **US D928,940 S**  
**Cammish et al.** (45) **Date of Patent:** **\*\* Aug. 24, 2021**

(54) **INJECTION DEVICE**

(71) Applicant: **NOVARTIS AG**, Basel (CH)

(72) Inventors: **Neil Cammish**, Manchester (GB); **John Palmer-Felgate**, Horsham (GB); **Mark Horlock**, Warrington (GB); **Congyi Huang**, Klagenfurt (AT); **Adrian Von Muralt**, Basel (CH)

(73) Assignee: **NOVARTIS AG**, Basel (CH)

(\*\*) Term: **15 Years**

(21) Appl. No.: **29/716,809**

(22) Filed: **Dec. 12, 2019**

(30) **Foreign Application Priority Data**

Jun. 13, 2019 (EP) ..... 006577045

(51) **LOC (13) Cl.** ..... **24-02**

(52) **U.S. Cl.**  
USPC ..... **D24/113**

(58) **Field of Classification Search**  
USPC ..... D24/112–114, 108, 133, 130, 127, 186;  
606/181, 185; 604/264, 272, 187, 181,  
604/184, 227  
CPC ..... A61M 5/178; A61M 3/00; A61M 5/20;  
A61M 5/31; A61M 5/3146; A61M  
5/3129; A61M 5/3148; A61M 5/315  
See application file for complete search history.

(56) **References Cited**

**U.S. PATENT DOCUMENTS**

7,651,512 B2 \* 1/2010 Chelak ..... A61B 5/1519  
606/181  
D827,127 S \* 8/2018 Donnelly ..... D24/113

D830,539 S \* 10/2018 Boyaval ..... D24/113  
D841,155 S \* 2/2019 McMenamin ..... D24/130  
D841,156 S \* 2/2019 McMenamin ..... D24/130  
D862,690 S \* 10/2019 Jansen ..... D24/113  
D869,647 S \* 12/2019 Dorsey ..... D24/112  
D888,942 S \* 6/2020 Cannamela ..... D24/114  
D897,184 S \* 9/2020 Perkins, Jr. .... D8/303  
D897,185 S \* 9/2020 Perkins, Jr. .... D8/303  
D903,856 S \* 12/2020 Nicholas ..... D24/113  
D910,836 S \* 2/2021 Sandberg ..... D24/112  
D910,837 S \* 2/2021 Ono ..... D24/112

\* cited by examiner

*Primary Examiner* — David G Muller

(74) *Attorney, Agent, or Firm* — Smith IP Services, P.C.

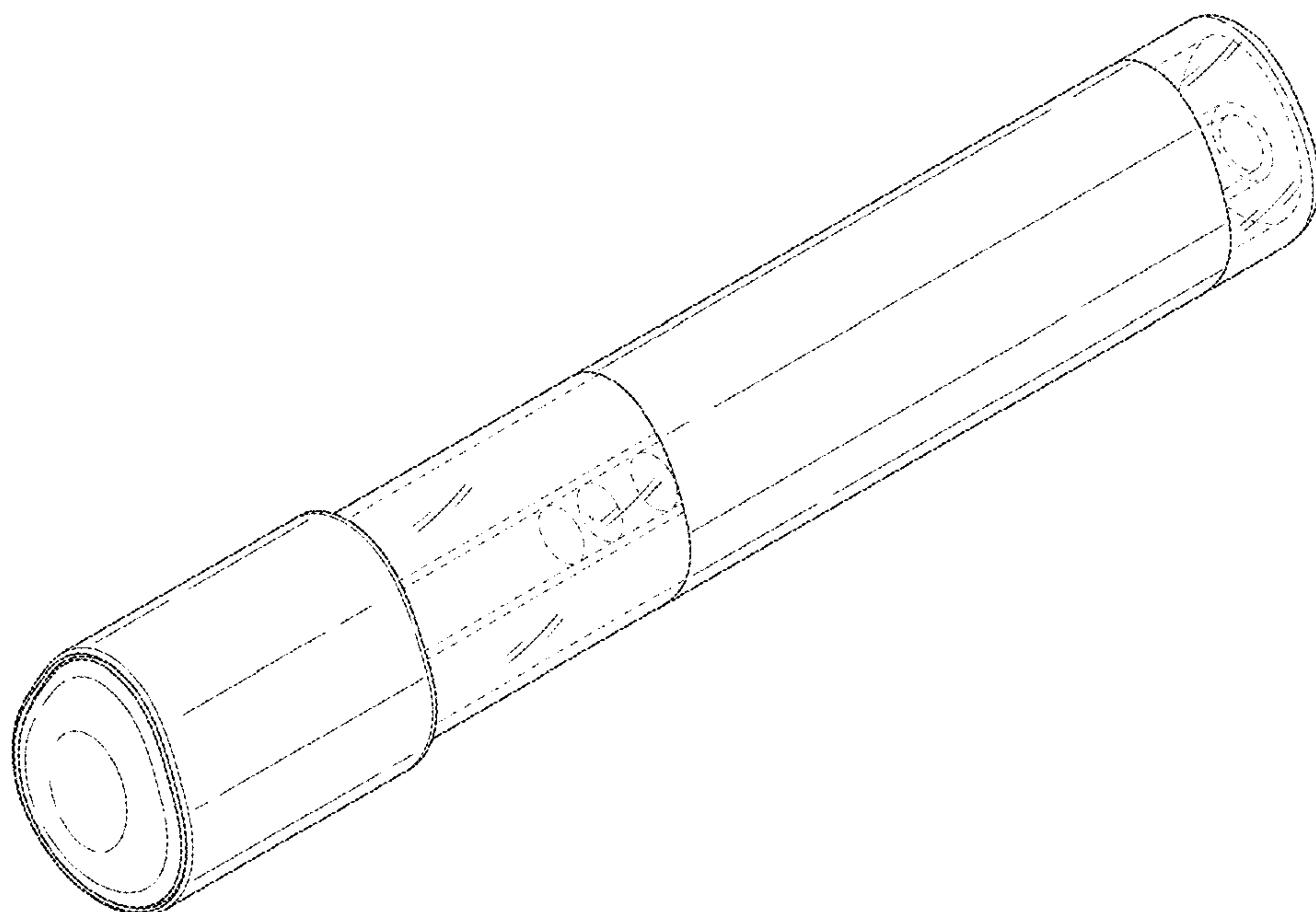
(57) **CLAIM**

The ornamental design for an injection device, as shown and described.

**DESCRIPTION**

FIG. 1 is a top perspective view of an injection device, showing the new design.  
FIG. 2 is a front elevational view of the injection device.  
FIG. 3 is a rear elevational view of the injection device.  
FIG. 4 is a right side elevational view of the injection device.  
FIG. 5 is a left side elevational view of the injection device.  
FIG. 6 is a top view of the injection device; and,  
FIG. 7 is a bottom view of the injection device.  
Portions of the design shown in broken lines are visible through transparent components of the injection device and form no part of the design as claimed.

**1 Claim, 2 Drawing Sheets**



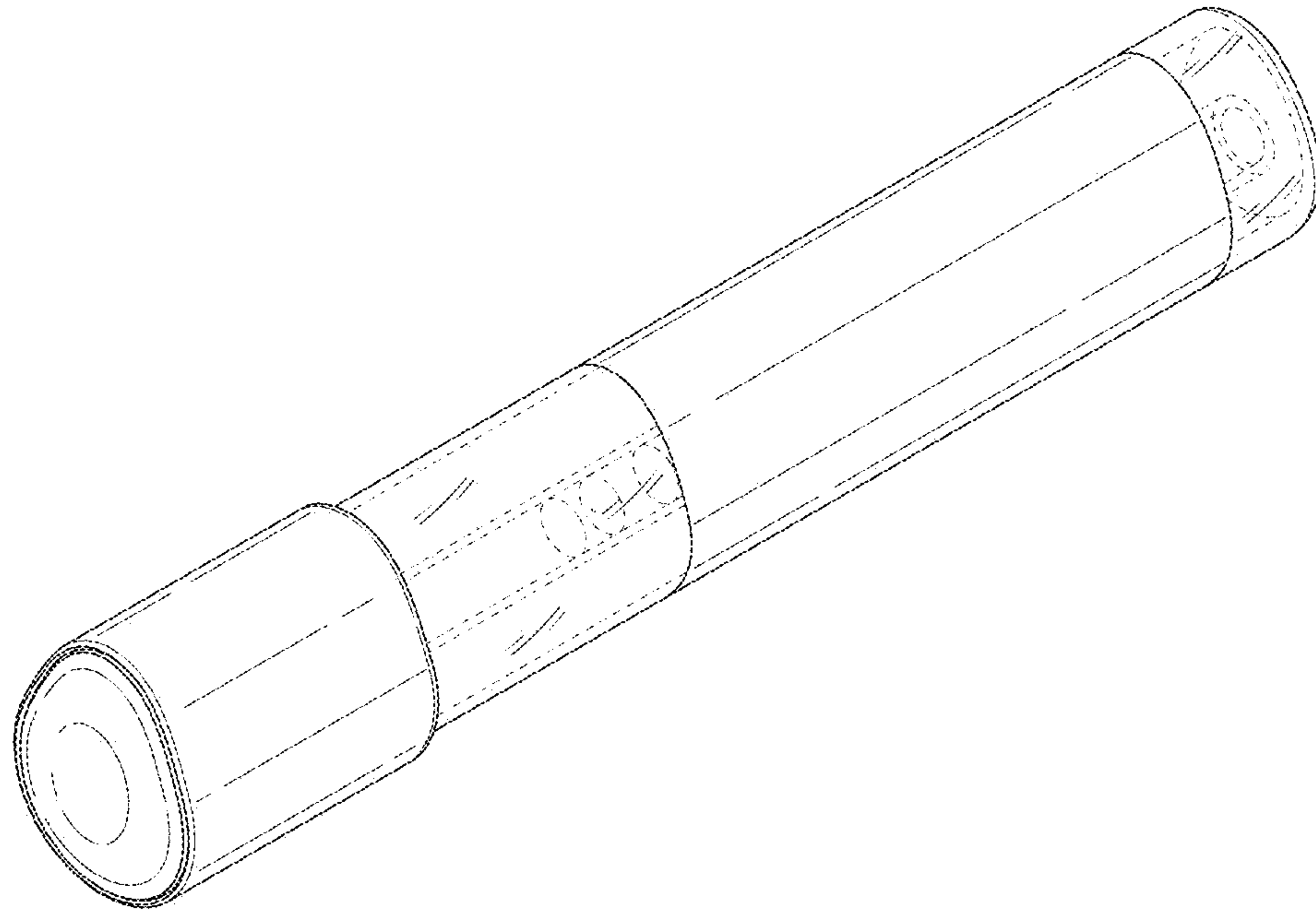


Fig. 1

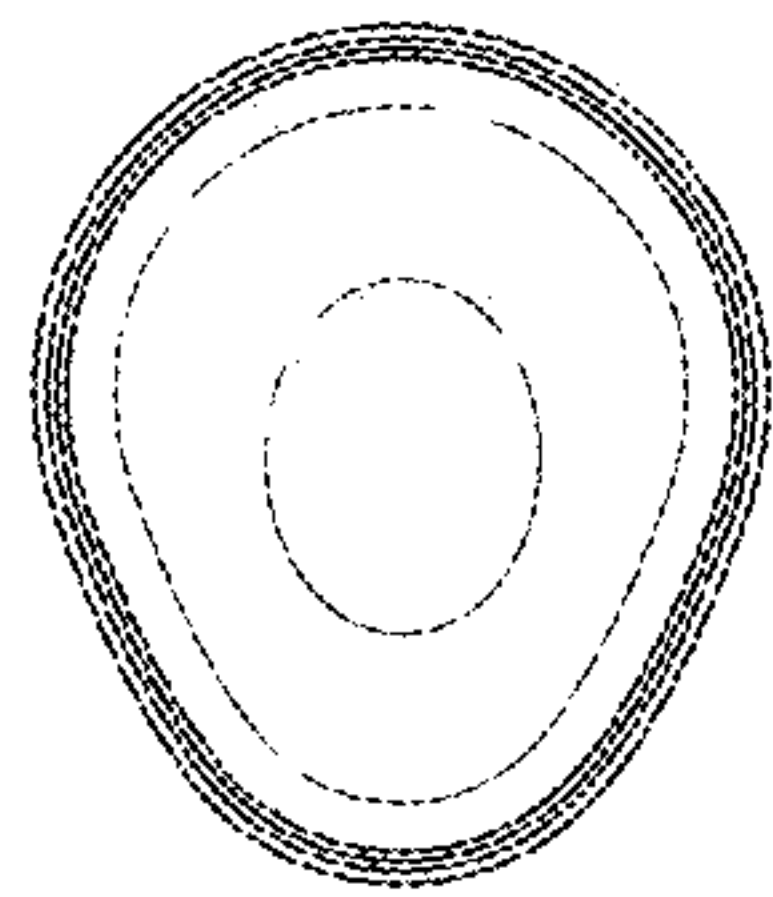


Fig. 2

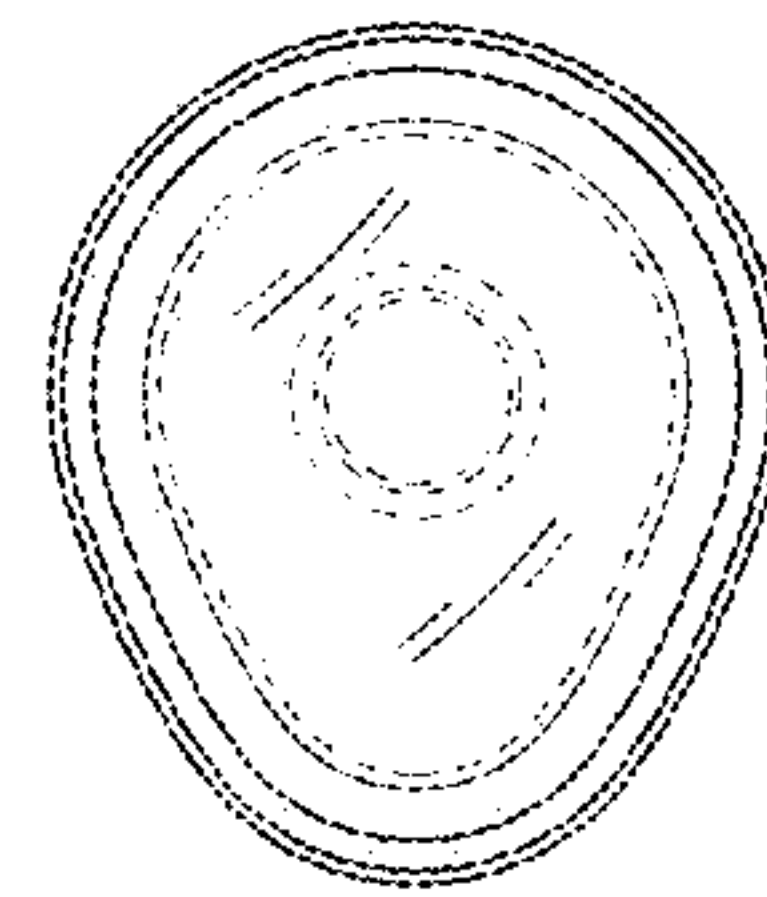


Fig. 3

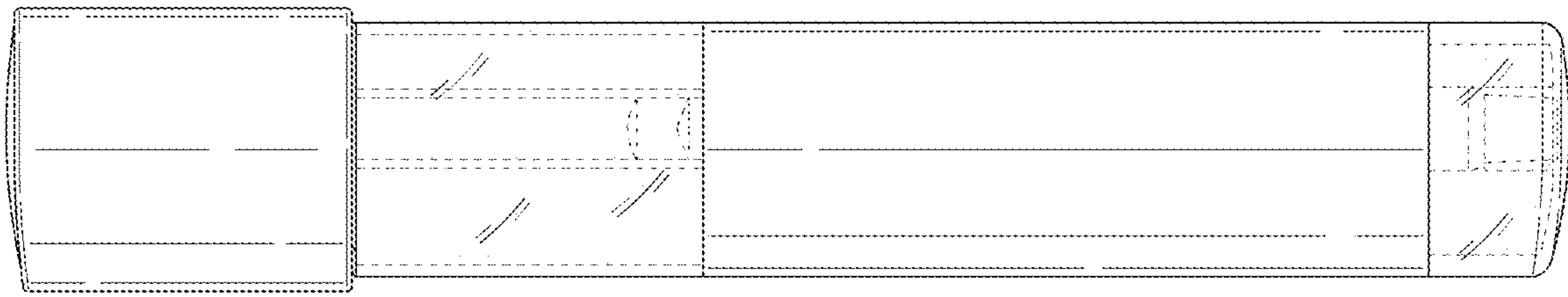


Fig. 4

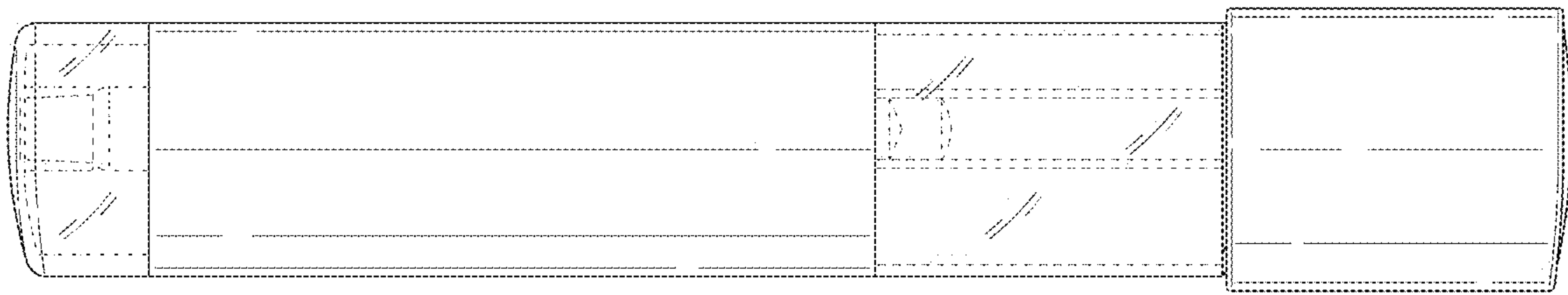


Fig. 5

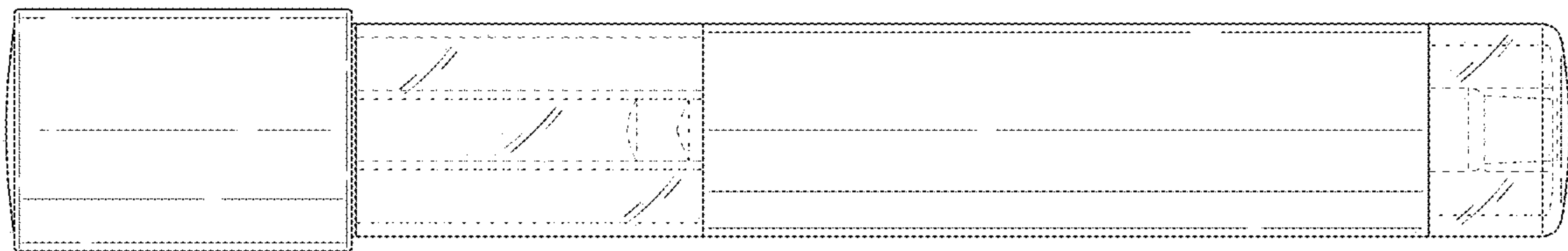


Fig. 6

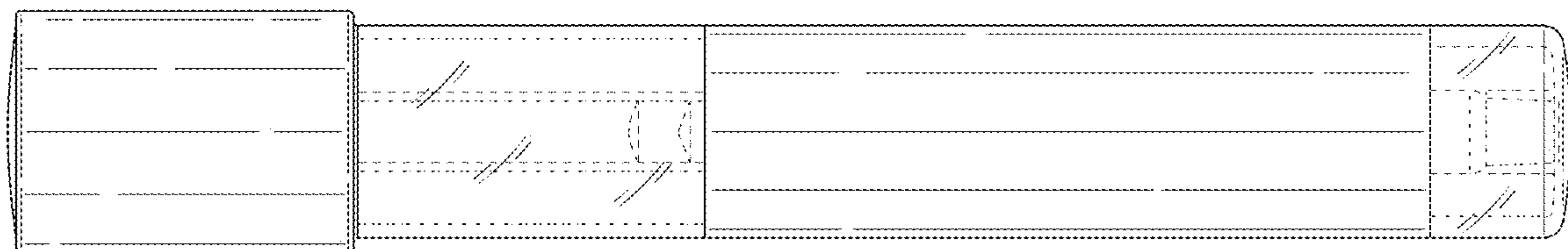


Fig. 7