



US00D928939S

(12) **United States Design Patent** (10) **Patent No.:** **US D928,939 S**
Cammish et al. (45) **Date of Patent:** **** Aug. 24, 2021**

(54) **INJECTION DEVICE**

(71) Applicant: **NOVARTIS AG**, Basel (CH)

(72) Inventors: **Neil Cammish**, Manchester (GB); **John Palmer-Felgate**, Horsham (GB); **Mark Horlock**, Warrington (GB); **Congyi Huang**, Klagenfurt (AT); **Adrian Von Muralt**, Basel (CH)

(73) Assignee: **NOVARTIS AG**, Basel (CH)

7,896,843 B2 * 3/2011 Kriesel A61M 5/16881
604/151

D830,539 S * 10/2018 Boyaval D24/113

D841,155 S * 2/2019 McMenamin D24/130

D841,156 S * 2/2019 McMenamin D24/130

D862,690 S * 10/2019 Jansen D24/113

D869,647 S * 12/2019 Dorsey D24/112

D888,942 S * 6/2020 Cannamela D24/114

D897,184 S * 9/2020 Perkins, Jr. D8/303

D897,185 S * 9/2020 Perkins, Jr. D8/303

D903,856 S * 12/2020 Nicholas D24/113

D910,836 S * 2/2021 Sandberg D24/112

D910,837 S * 2/2021 Ono D24/112

(**) Term: **15 Years**

* cited by examiner

(21) Appl. No.: **29/716,797**

Primary Examiner — David G Muller

(22) Filed: **Dec. 12, 2019**

(74) *Attorney, Agent, or Firm* — Smith IP Services, P.C.

(30) **Foreign Application Priority Data**

Jun. 13, 2019 (EP) 006577045

(51) **LOC (13) Cl.** **24-02**

(52) **U.S. Cl.**
USPC **D24/113**

(58) **Field of Classification Search**
USPC D24/112–114, 108, 133, 130, 127, 186;
606/181, 185; 604/264, 272, 187, 181,
604/184, 227

CPC A61M 5/178; A61M 3/00; A61M 5/20;
A61M 5/31; A61M 5/3146; A61M
5/3129; A61M 5/3148; A61M 5/315

See application file for complete search history.

(56) **References Cited**

U.S. PATENT DOCUMENTS

7,651,512 B2 * 1/2010 Chelak A61B 5/1519
606/181

(57) **CLAIM**

The ornamental design for an injection device, as shown.

DESCRIPTION

FIG. 1 is a top perspective view of an injection device, showing the new design.

FIG. 2 is a front elevational view of the injection device.

FIG. 3 is a rear elevational view of the injection device.

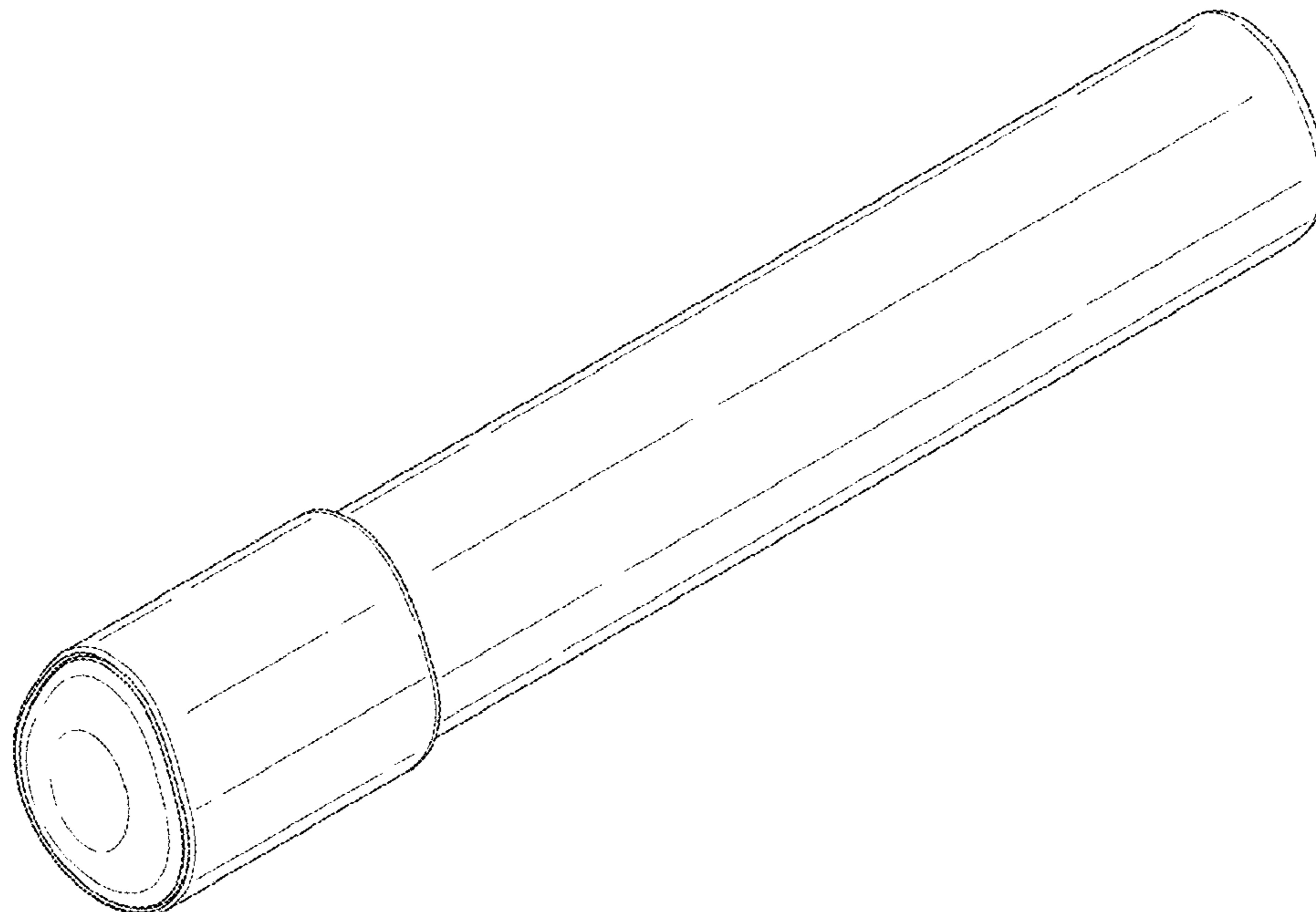
FIG. 4 is a right side elevational view of the injection device.

FIG. 5 is a left side elevational view of the injection device.

FIG. 6 is a top view of the injection device; and,

FIG. 7 is a bottom view of the injection device.

1 Claim, 2 Drawing Sheets



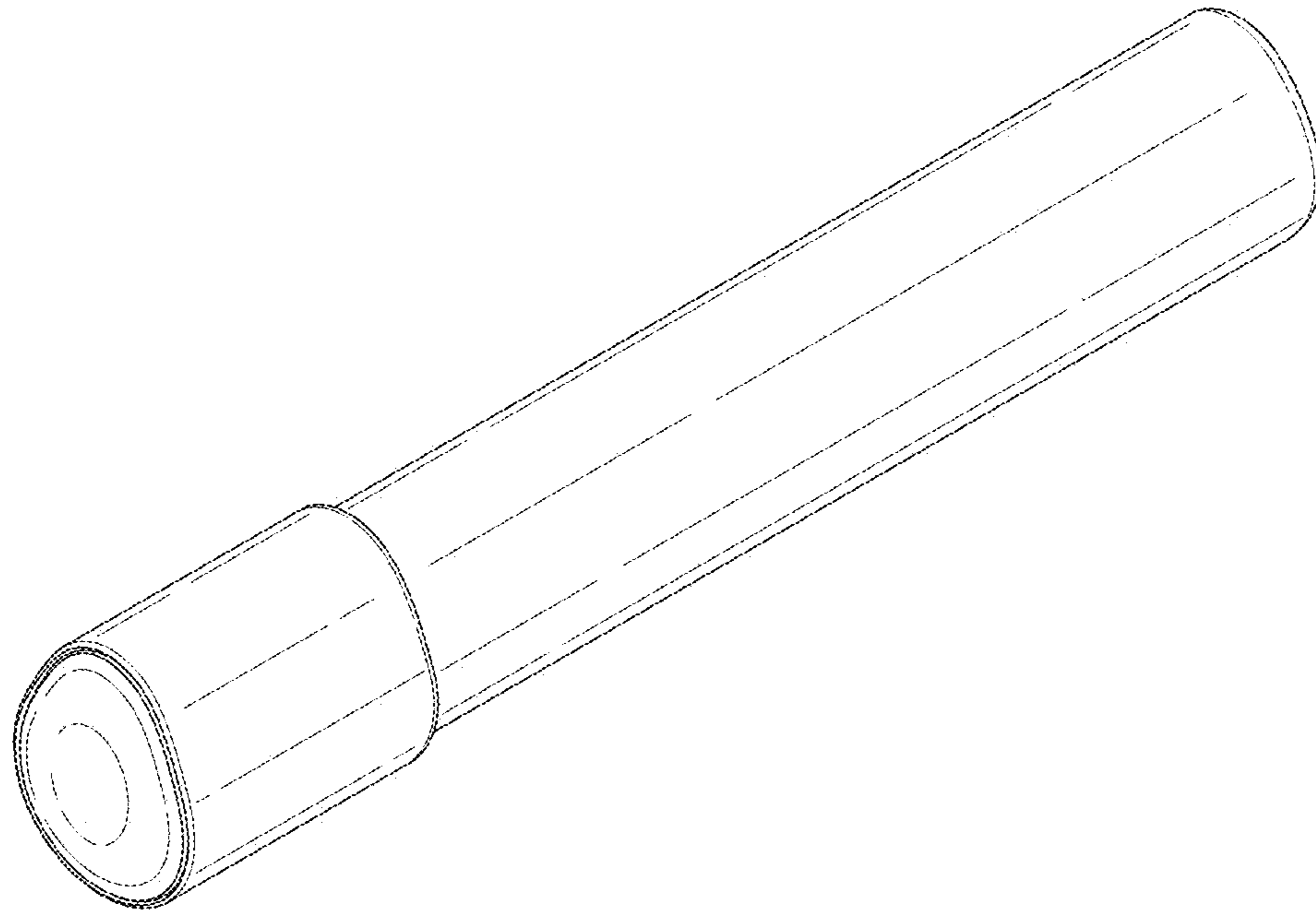


Fig. 1

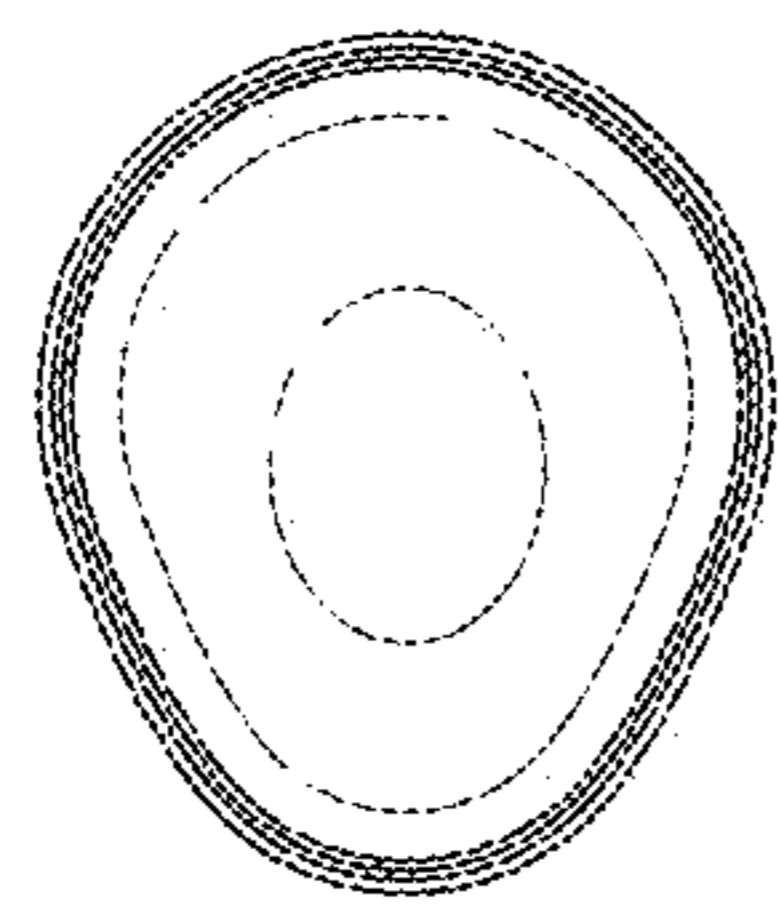


Fig. 2

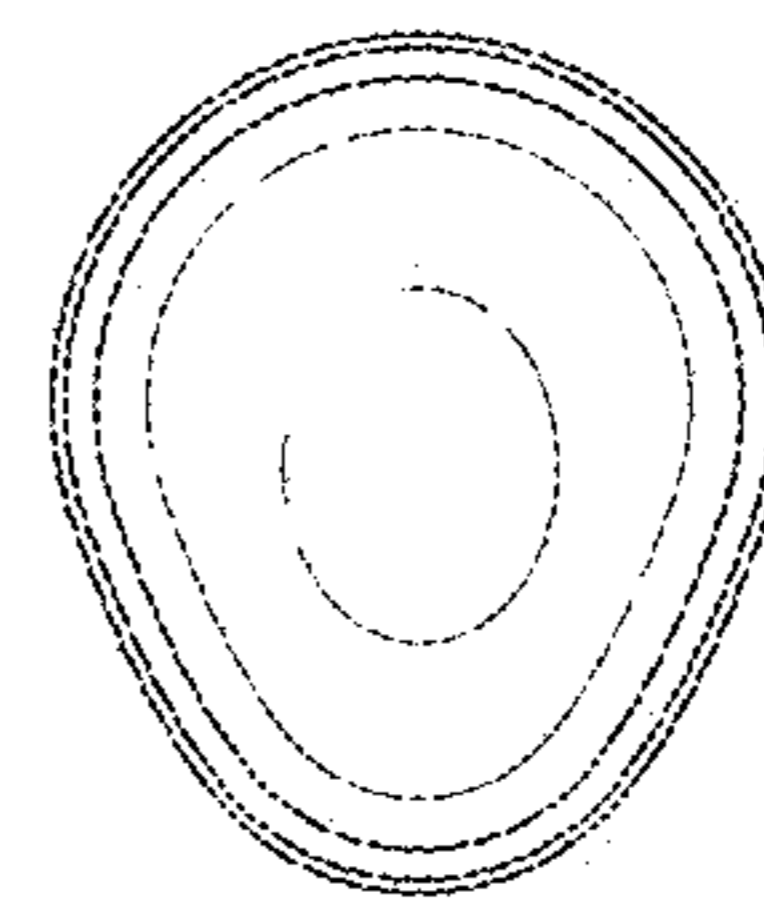


Fig. 3

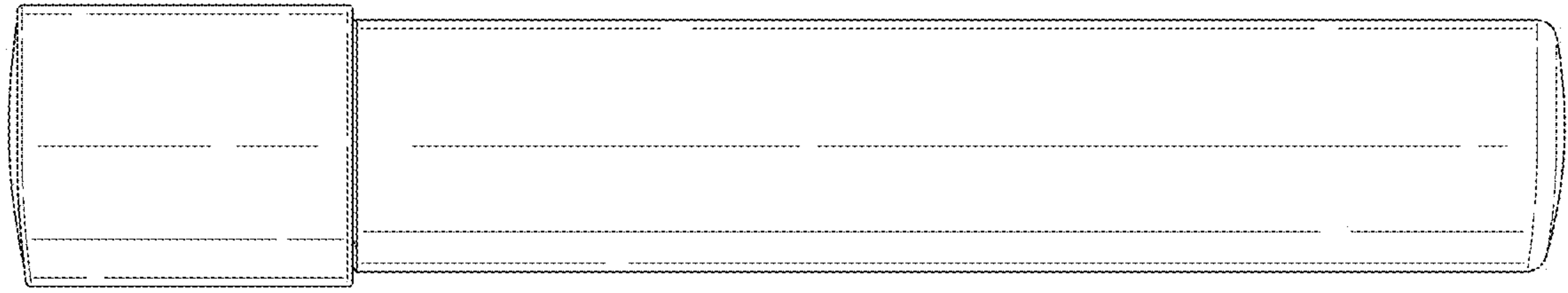


Fig. 4

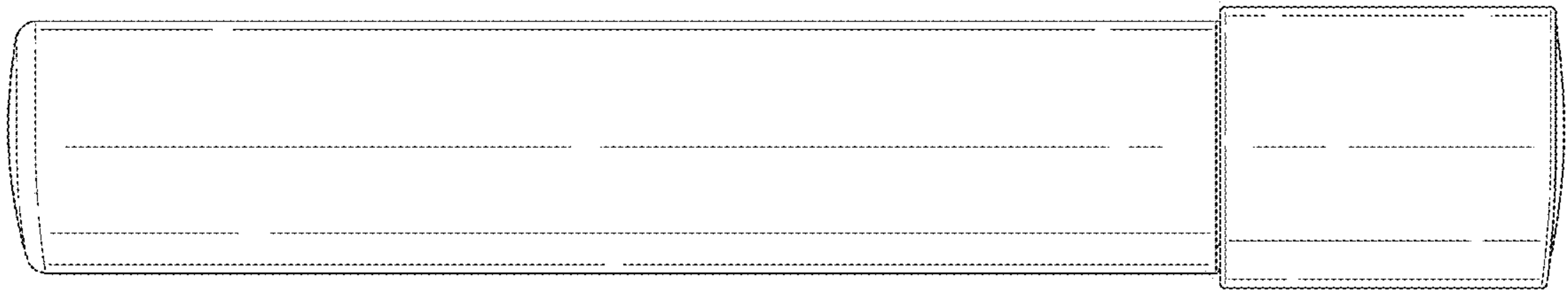


Fig. 5

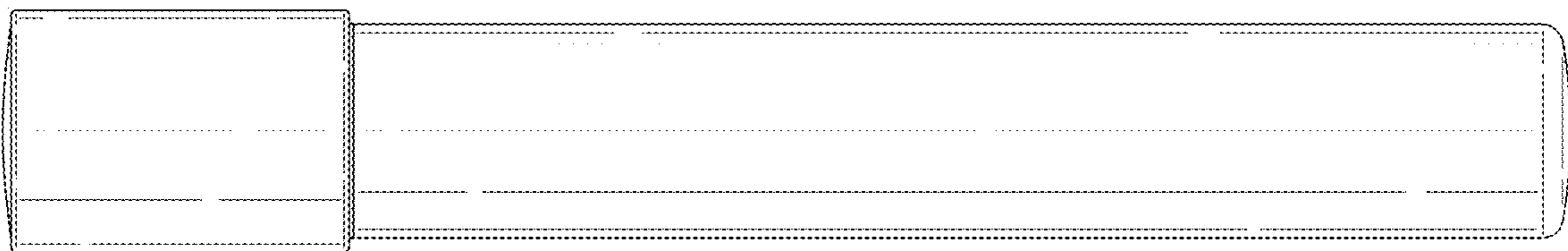


Fig. 6

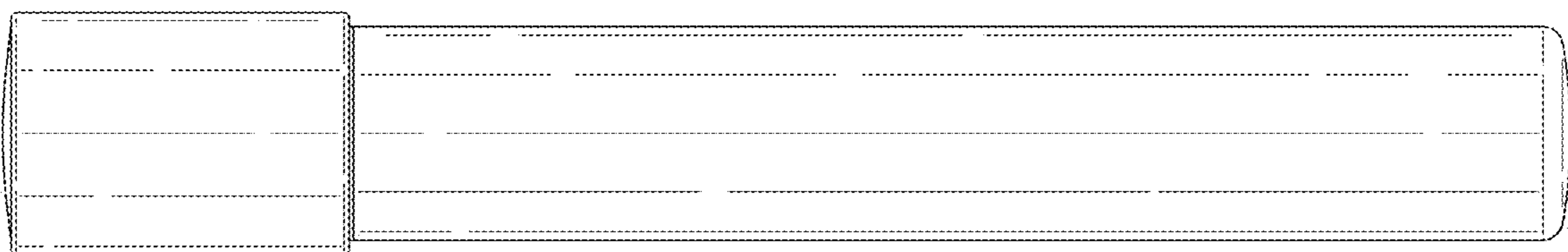


Fig. 7