



US00D928935S

(12) **United States Design Patent** (10) **Patent No.:** **US D928,935 S**  
**Li** (45) **Date of Patent:** **\*\* Aug. 24, 2021**

(54) **NEBULIZER**

(71) Applicant: **DONGGUAN WOBANG ELECTRONIC TECHNOLOGY CO., LTD.**, Dongguan (CN)

(72) Inventor: **Yueming Li**, Dongguan (CN)

(73) Assignee: **DONGGUAN WOBANG ELECTRONIC TECHNOLOGY CO., LTD.**, Dongguan (CN)

(\*\*) Term: **15 Years**

(21) Appl. No.: **29/750,700**

(22) Filed: **Sep. 16, 2020**

(51) **LOC (13) Cl.** ..... **24-04**

(52) **U.S. Cl.**  
USPC ..... **D24/110**

(58) **Field of Classification Search**  
USPC ..... D24/107, 108, 110, 110.5, 127, 164  
CPC ..... A61M 11/005; A61M 15/0091; A61M 15/001; A61M 15/00; A61M 11/04; A61M 11/02; A61M 11/00; A61M 15/0085; A61M 15/0021  
See application file for complete search history.

(56) **References Cited**

**U.S. PATENT DOCUMENTS**

- 5,170,782 A \* 12/1992 Kocinski ..... A61M 11/005  
128/200.16
- D337,636 S \* 7/1993 Kocinski ..... D24/110
- D753,282 S \* 4/2016 Lee ..... D24/110
- D757,245 S \* 5/2016 Lee ..... D24/110
- D783,808 S 4/2017 Lee
- D849,231 S \* 5/2019 Yang ..... D24/110
- 10,406,569 B2 \* 9/2019 Cheng ..... A61M 15/0085
- D886,278 S 6/2020 Lin
- D895,101 S \* 9/2020 Zhao ..... D24/110

- D900,304 S \* 10/2020 Xia ..... D24/110
- D910,824 S \* 2/2021 Zhao ..... D23/360
- 2009/0114737 A1 \* 5/2009 Yu ..... B05B 17/0646  
239/69
- 2011/0303218 A1 \* 12/2011 Yadidi ..... A61M 11/005  
128/200.14
- 2012/0160241 A1 \* 6/2012 Oliva ..... A61M 15/0028  
128/203.15
- 2016/0206835 A1 \* 7/2016 Lee ..... A61M 15/0085
- 2016/0271343 A1 \* 9/2016 Abate ..... A61M 11/001
- 2018/0361084 A1 \* 12/2018 Peng ..... A61M 11/00
- 2019/0099566 A1 \* 4/2019 Gramann ..... A61M 15/02
- 2019/0160234 A1 \* 5/2019 Lefkowitz ..... A61M 15/0086
- 2019/0231995 A1 \* 8/2019 Tsai ..... A61M 15/0065
- 2020/0360959 A1 \* 11/2020 Cheng ..... A61M 11/005

**FOREIGN PATENT DOCUMENTS**

CN 305116235 \* 4/2019

\* cited by examiner

*Primary Examiner* — Lilyana Bekic

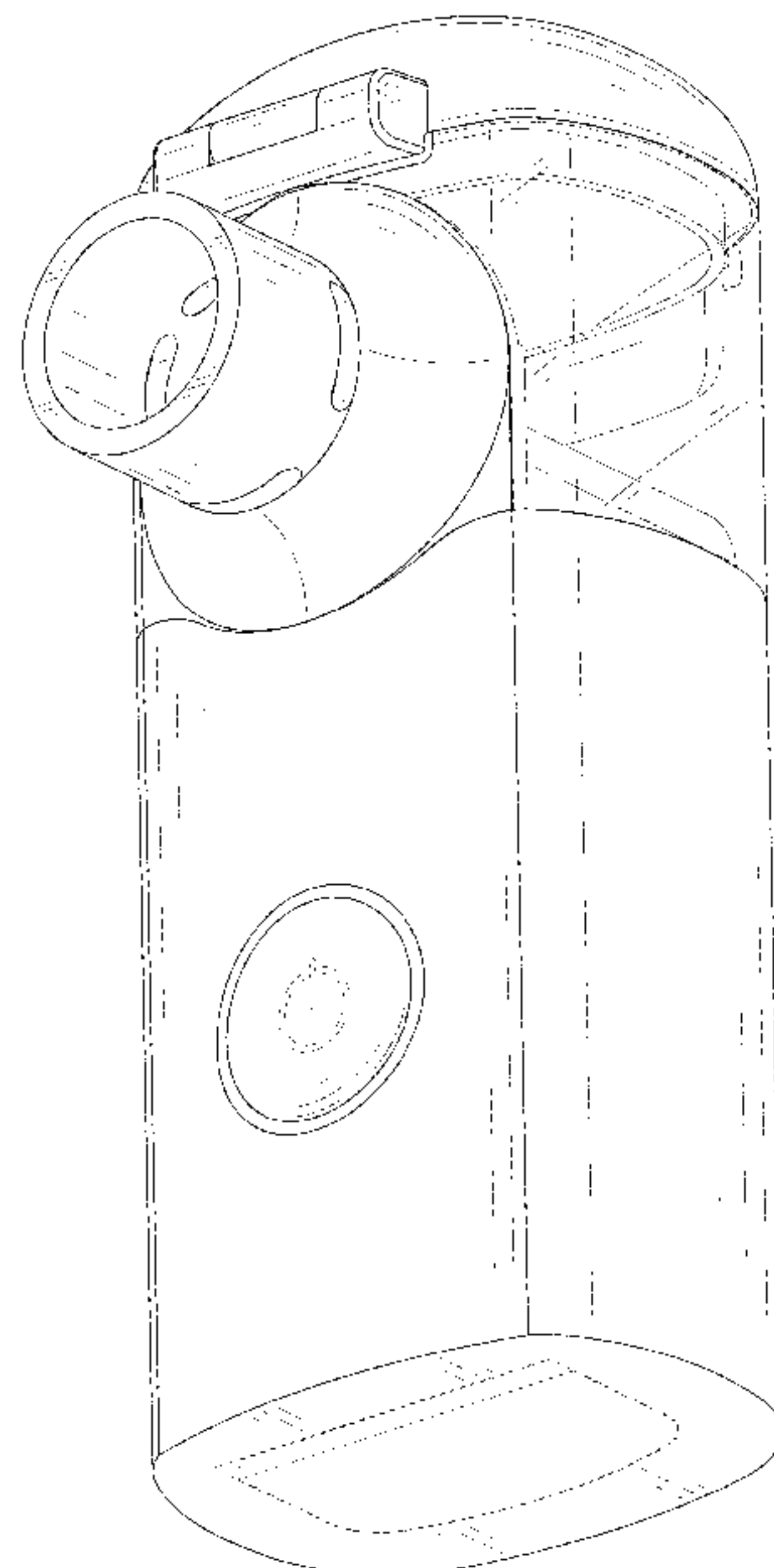
(57) **CLAIM**

The ornamental design for a nebulizer, as shown and described.

**DESCRIPTION**

FIG. 1 is a perspective view of a nebulizer showing my new design;  
FIG. 2 is another perspective view thereof;  
FIG. 3 is a front elevational view thereof;  
FIG. 4 is a rear elevational view thereof;  
FIG. 5 is a left side elevational view thereof;  
FIG. 6 is a right side elevational view thereof;  
FIG. 7 is a top plan view thereof; and,  
FIG. 8 is a bottom plan view thereof.  
The broken lines in the drawings depict portions of the nebulizer that form no part of the claimed design.

**1 Claim, 8 Drawing Sheets**



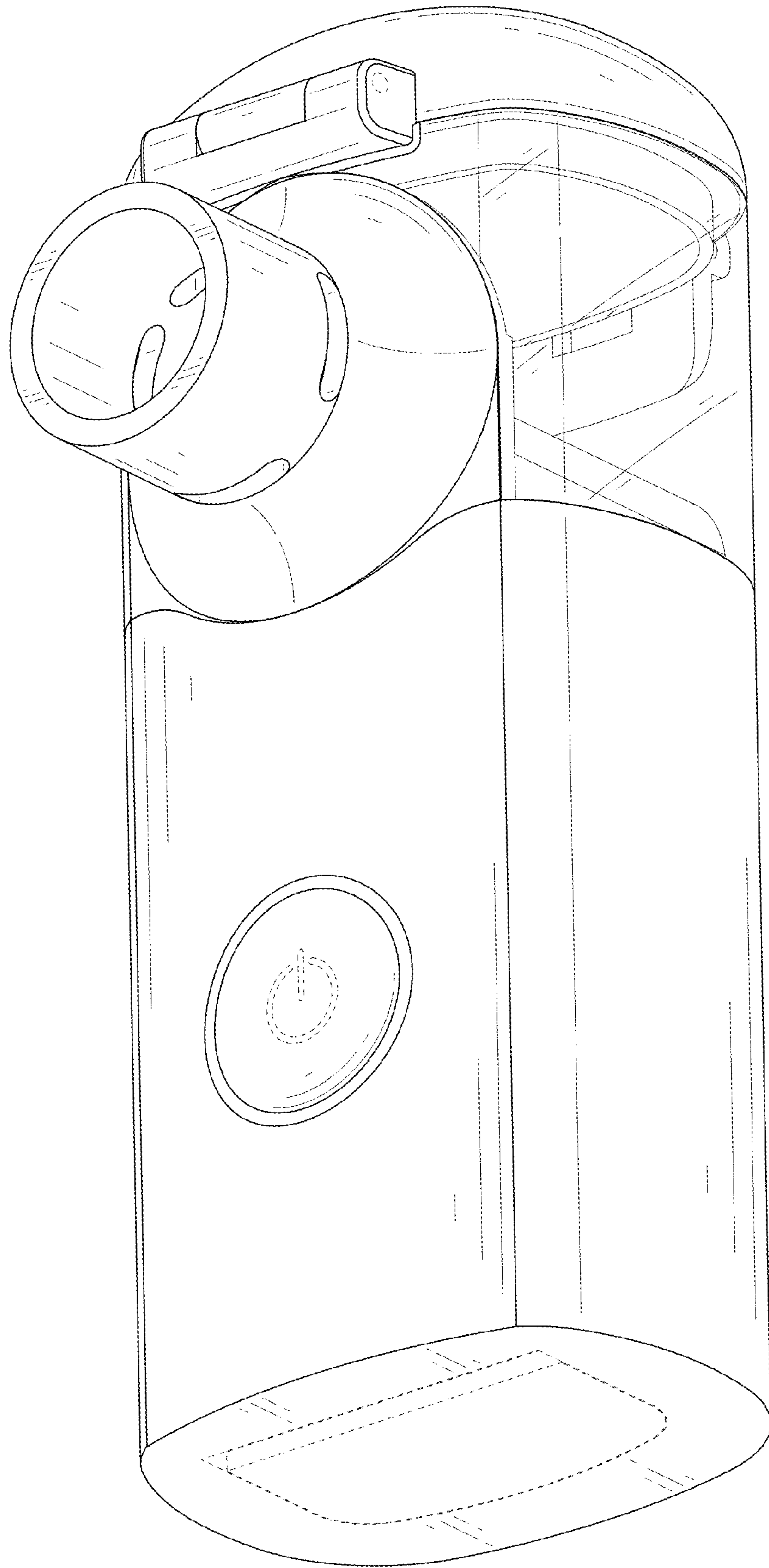


FIG. 1

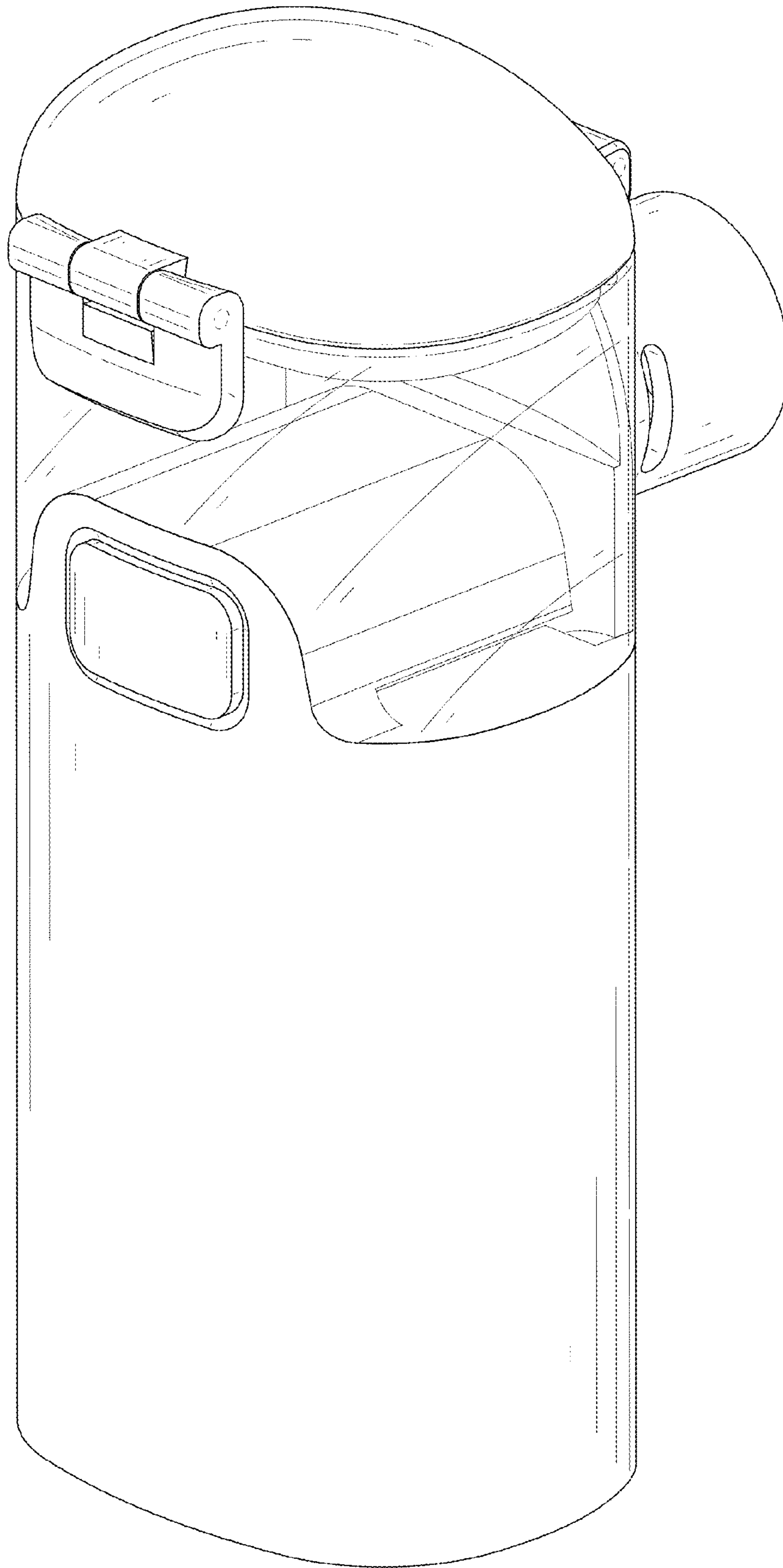


FIG. 2

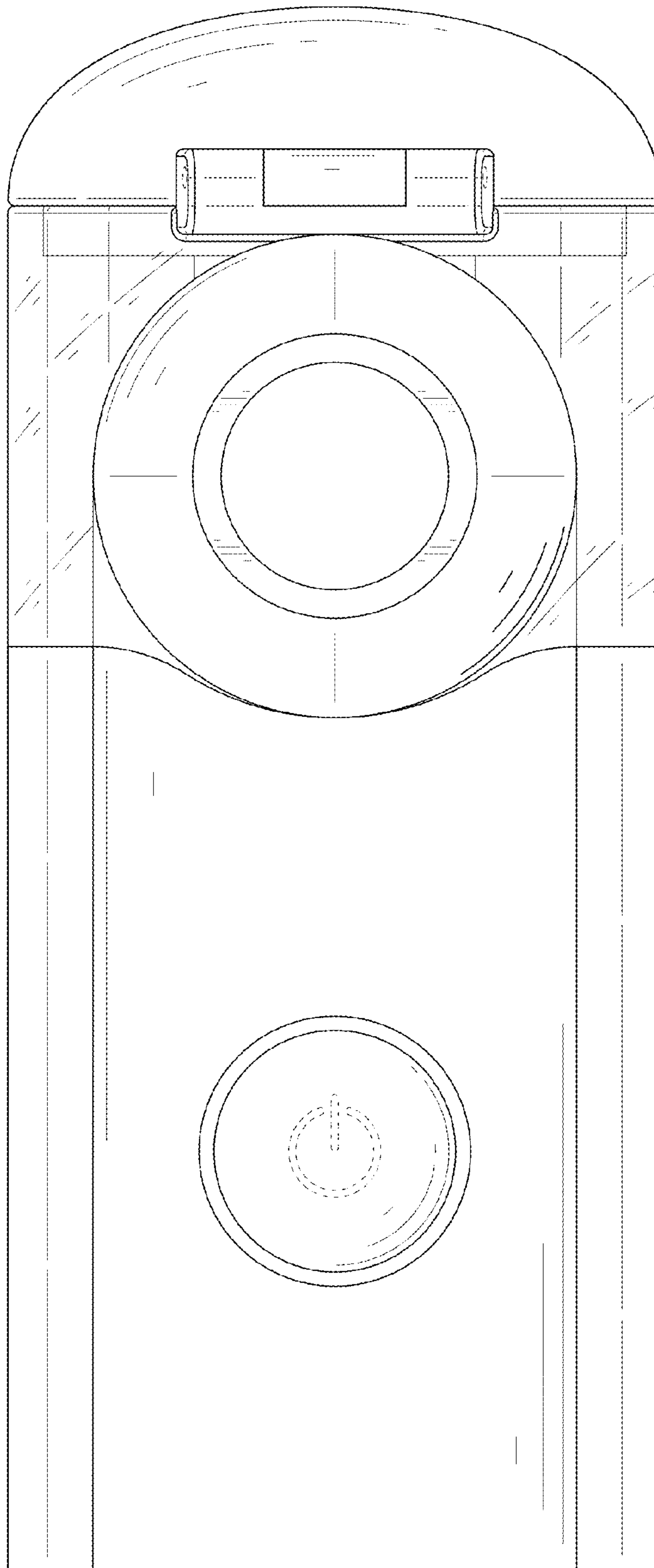


FIG. 3

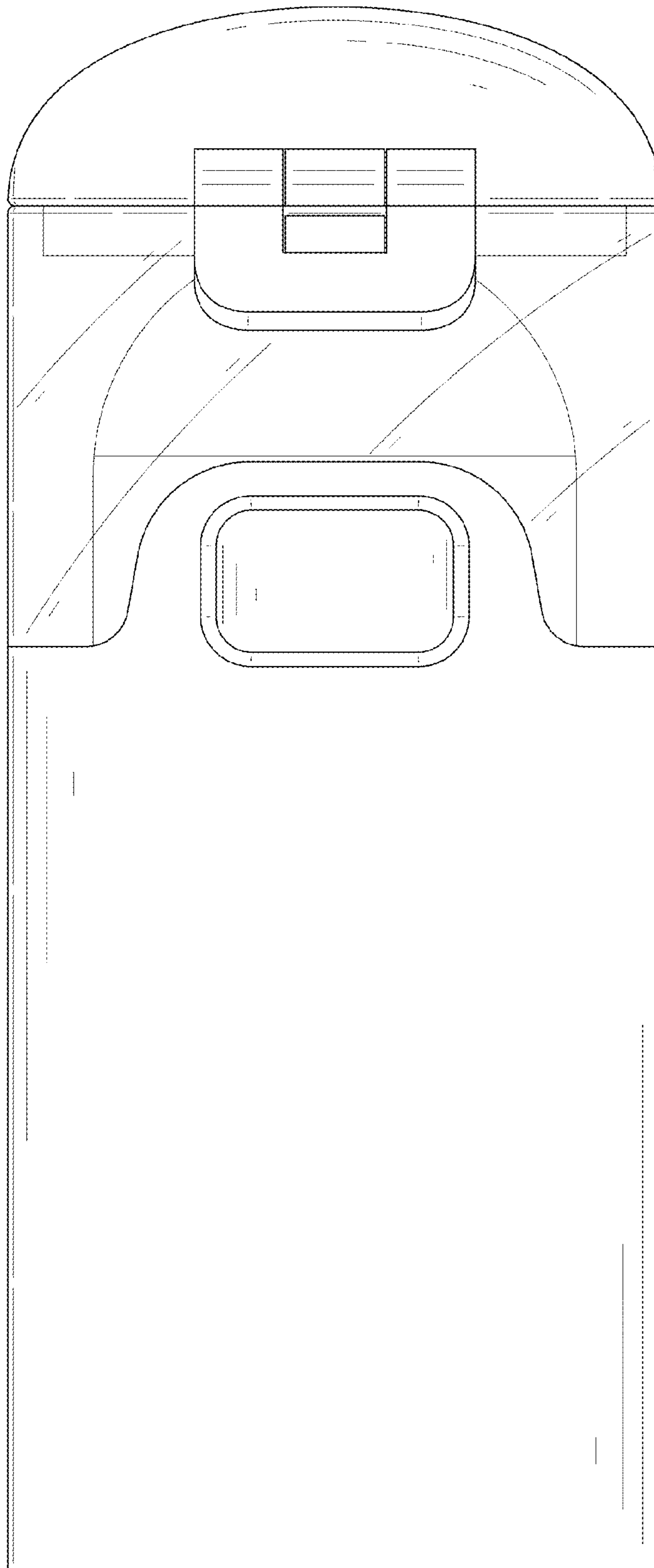


FIG. 4



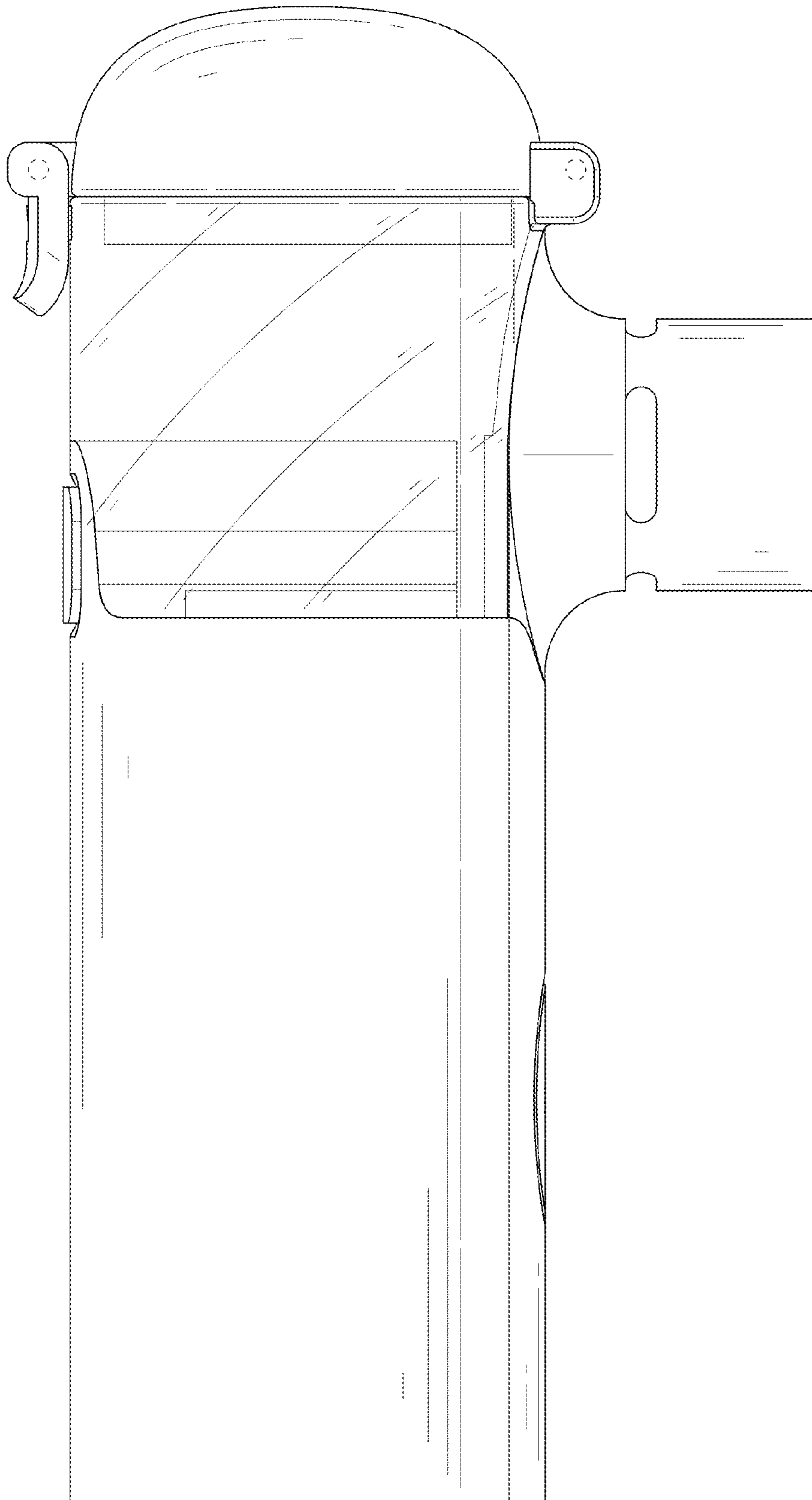


FIG. 5

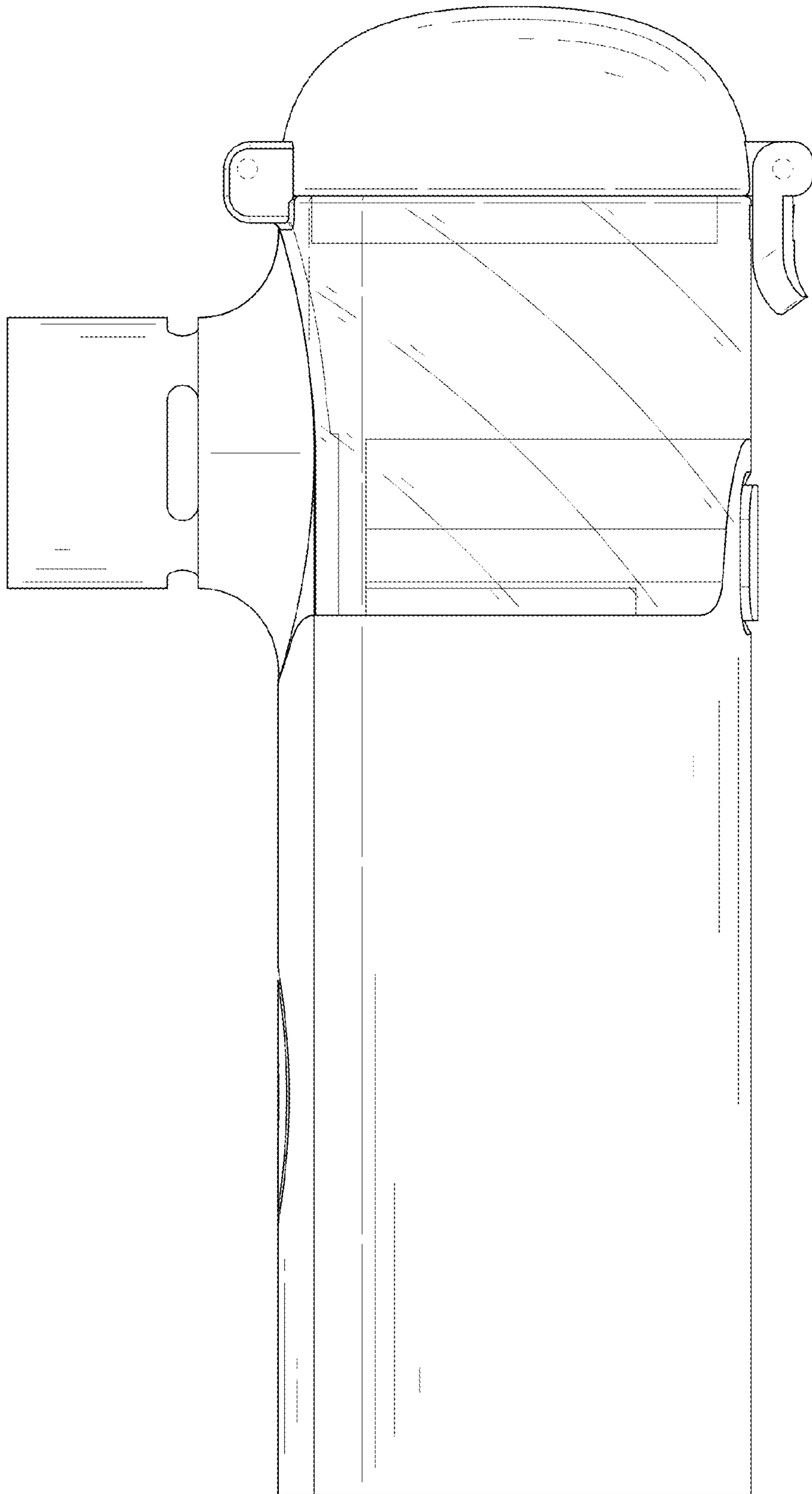


FIG. 6

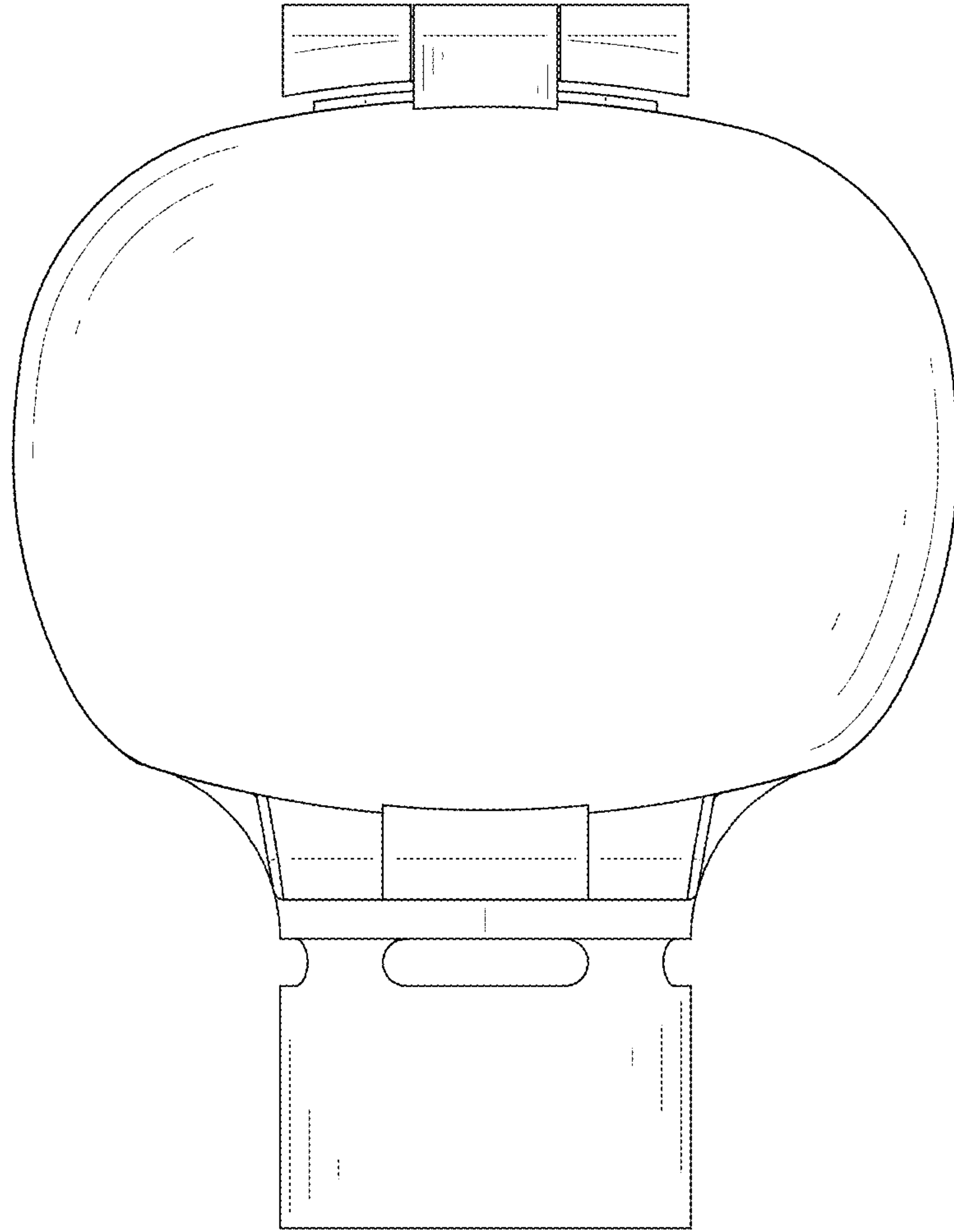


FIG. 7



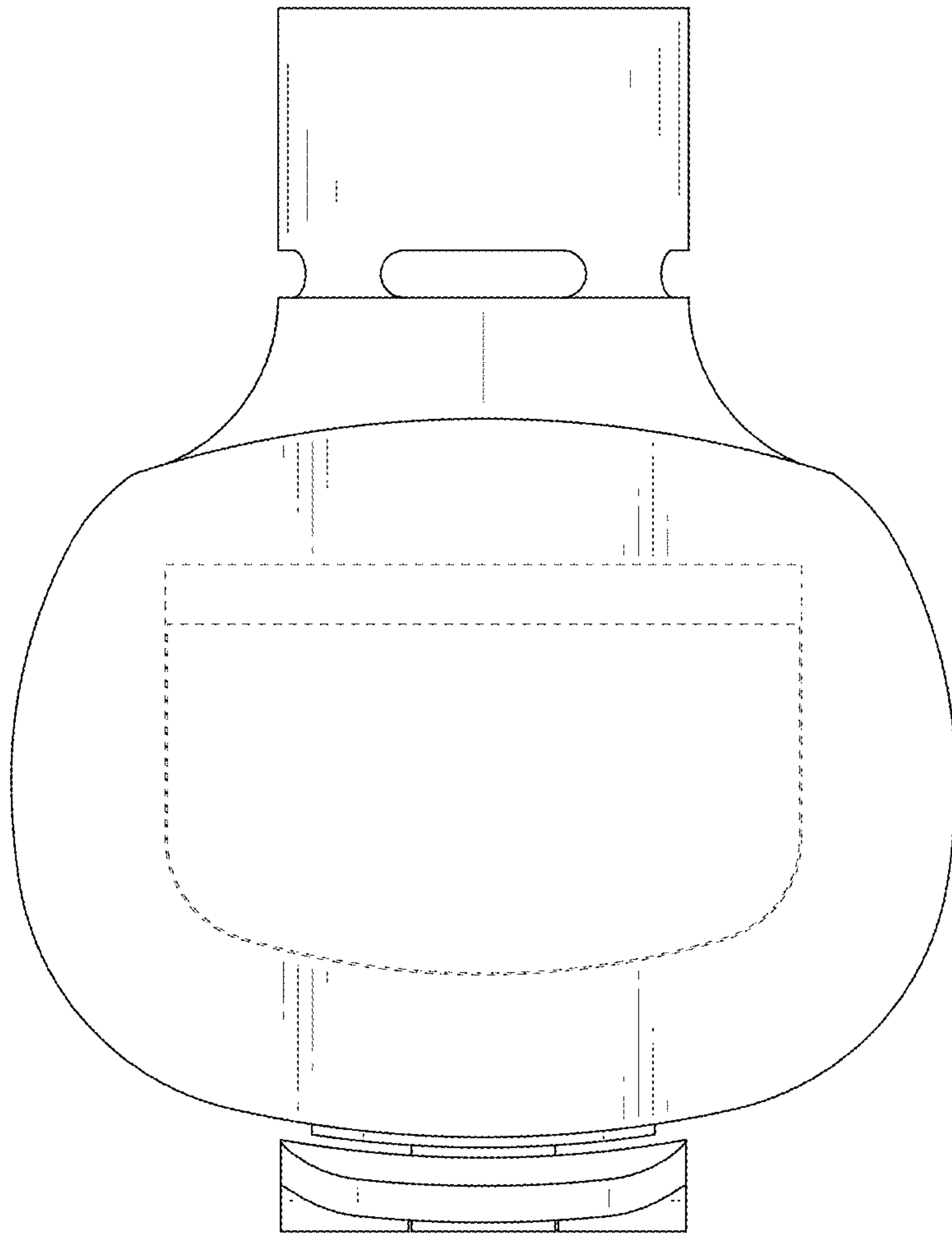


FIG. 8