



US00D928934S

(12) **United States Design Patent** (10) **Patent No.:** **US D928,934 S**  
**Lin** (45) **Date of Patent:** **\*\* Aug. 24, 2021**

(54) **NEBULIZER**  
(71) Applicant: **SHENZHEN POWERTECH ELECTRONIC CO., LTD.**, Shenzhen (CN)  
(72) Inventor: **Zhili Lin**, Shenzhen (CN)  
(73) Assignee: **SHENZHEN POWERTECH ELECTRONIC CO., LTD.**, Shenzhen (CN)

D886,278 S \* 6/2020 Lin ..... D24/110  
D888,932 S \* 6/2020 Jung ..... D24/110  
D888,933 S \* 6/2020 Jung ..... D24/110  
D889,635 S \* 7/2020 Mitchell ..... D24/110  
D893,703 S \* 8/2020 Bogan ..... D24/110  
10,786,633 B2 \* 9/2020 Tsai ..... A61M 15/0021  
D900,303 S \* 10/2020 Mitchell ..... D24/110  
D900,304 S \* 10/2020 Xia ..... D24/110  
D905,846 S \* 12/2020 Mitchell ..... D24/110  
D910,824 S \* 2/2021 Zhao ..... D23/360  
2018/0361084 A1 \* 12/2018 Peng ..... A61M 11/00

\* cited by examiner

(\*\*) Term: **15 Years**

*Primary Examiner* — Michelle E. Wilson

*Assistant Examiner* — Aula Soroush

(21) Appl. No.: **29/727,734**

(74) *Attorney, Agent, or Firm* — Hemisphere Law, PLLC; Zhigang Ma

(22) Filed: **Mar. 12, 2020**

(51) **LOC (13) Cl.** ..... **29-02**

(57) **CLAIM**

(52) **U.S. Cl.**  
USPC ..... **D24/110**

The ornamental design for a nebulizer, as shown and described.

(58) **Field of Classification Search**  
USPC .... D24/108, 110–115, 117, 121, 110.5, 164  
CPC .... A61M 11/005; A61M 11/00; A61M 11/02;  
A61M 11/08; A61M 15/0085; A61M 15/00;  
A61M 15/0001; A61M 15/0021;  
A61M 15/0023; A61M 16/14  
See application file for complete search history.

**DESCRIPTION**

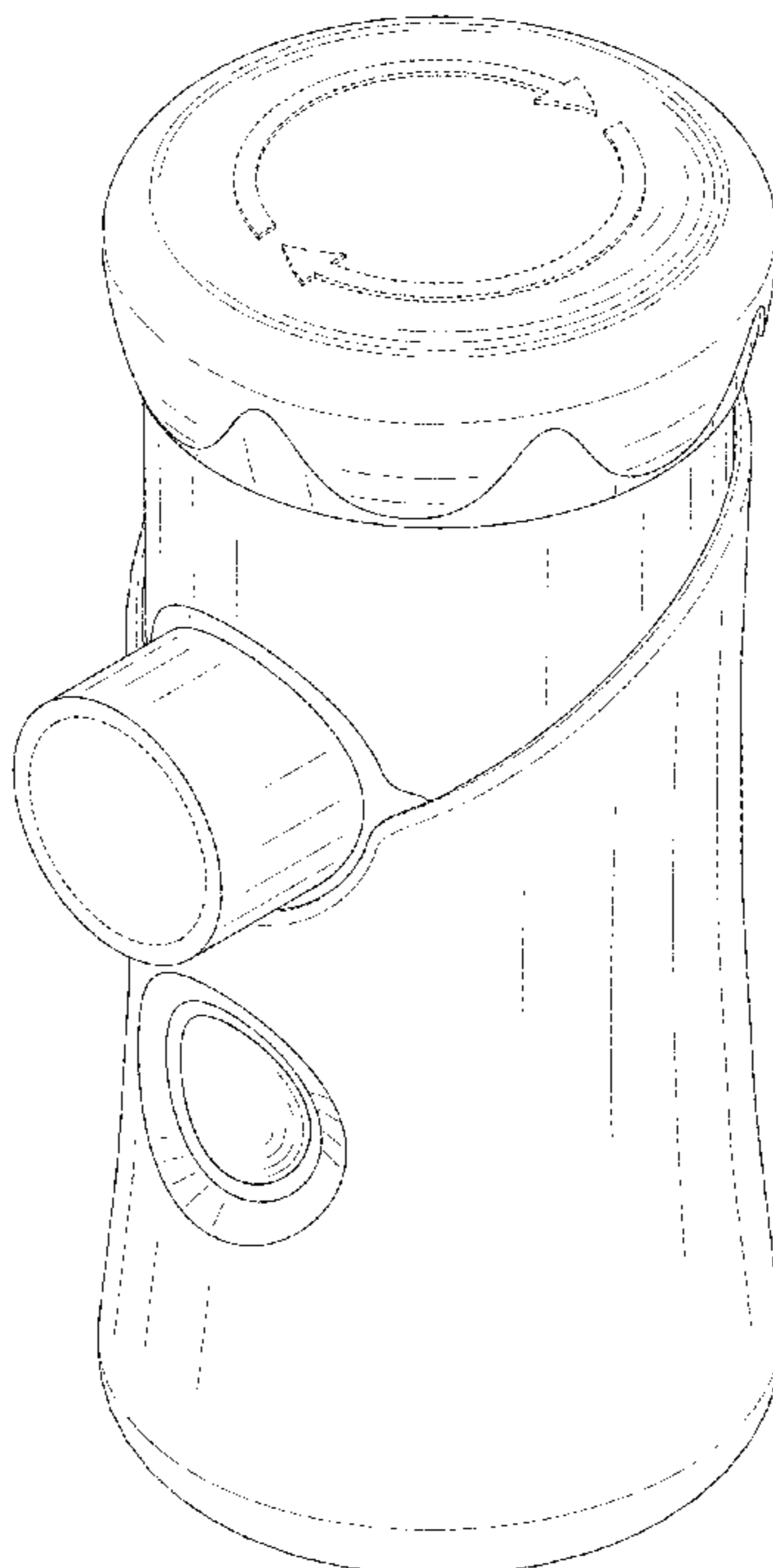
(56) **References Cited**

U.S. PATENT DOCUMENTS

D337,636 S \* 7/1993 Kocinski ..... D24/110  
D753,282 S \* 4/2016 Lee ..... D24/100  
D757,245 S \* 5/2016 Lee ..... D24/110  
D757,926 S \* 5/2016 Van Sickle ..... D24/110  
D783,808 S \* 4/2017 Lee ..... D24/110  
D884,876 S \* 5/2020 Jung ..... D24/110

FIG. 1 is a perspective view of a nebulizer showing my new design;  
FIG. 2 is another perspective view seen from the rear bottom side thereof;  
FIG. 3 is a front elevational view thereof;  
FIG. 4 is a rear elevational view thereof;  
FIG. 5 is a left side elevational view thereof;  
FIG. 6 is a right side elevational view thereof;  
FIG. 7 is a top plan view thereof; and,  
FIG. 8 is a bottom plan view thereof.  
The broken lines in the drawings illustrate portions of the nebulizer that form no part of the claimed design.

**1 Claim, 8 Drawing Sheets**



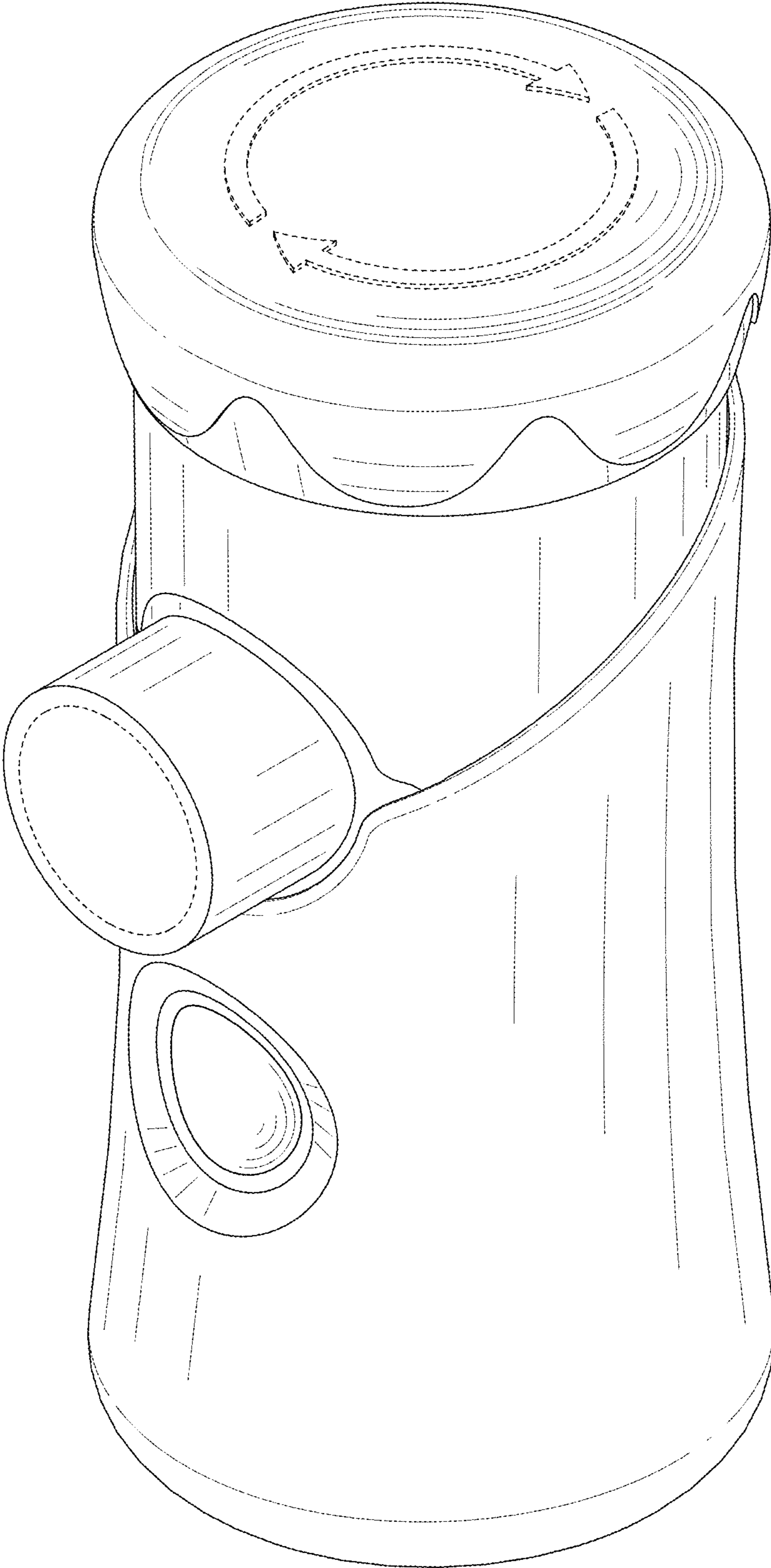


FIG. 1

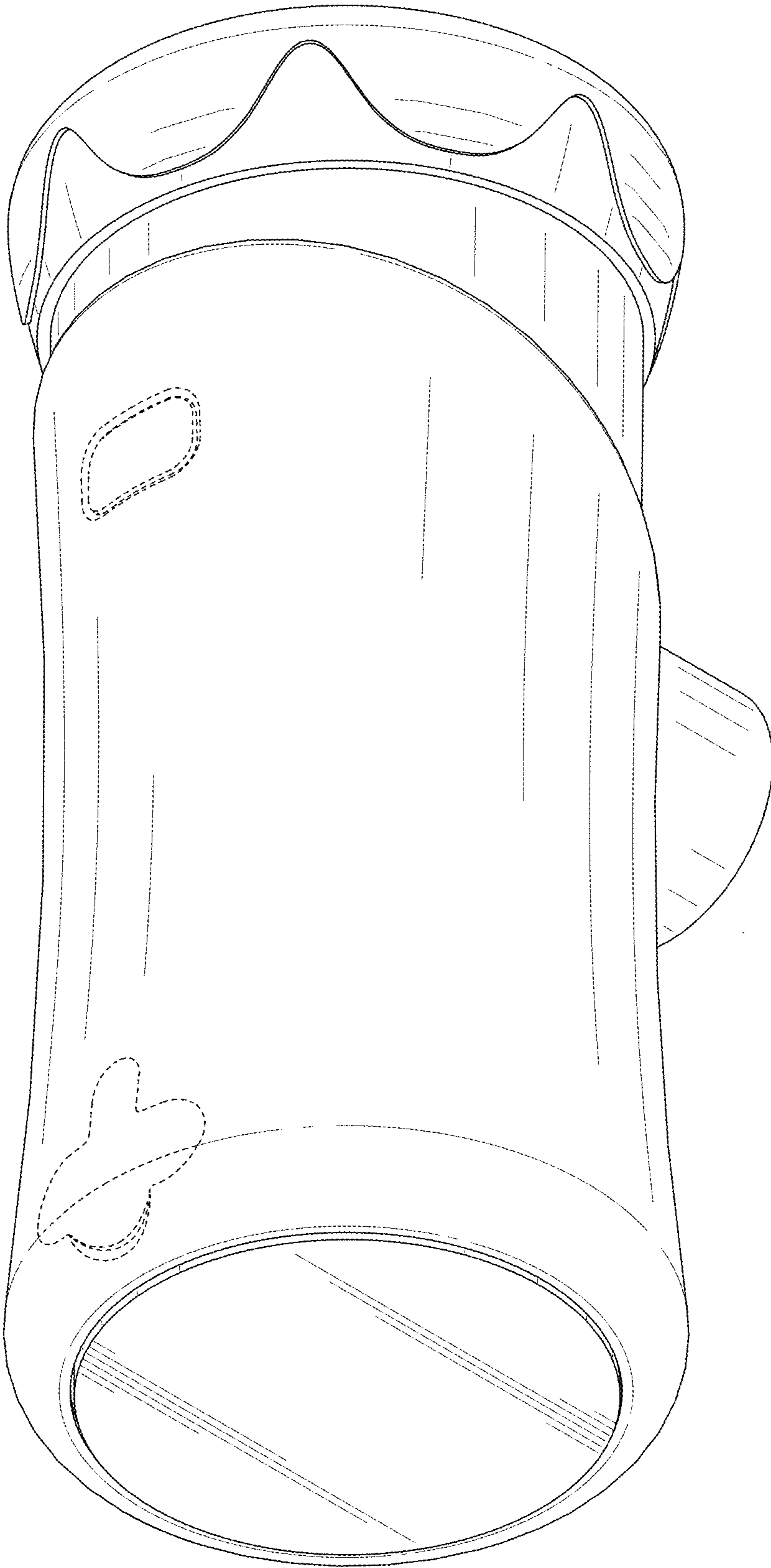


FIG. 2

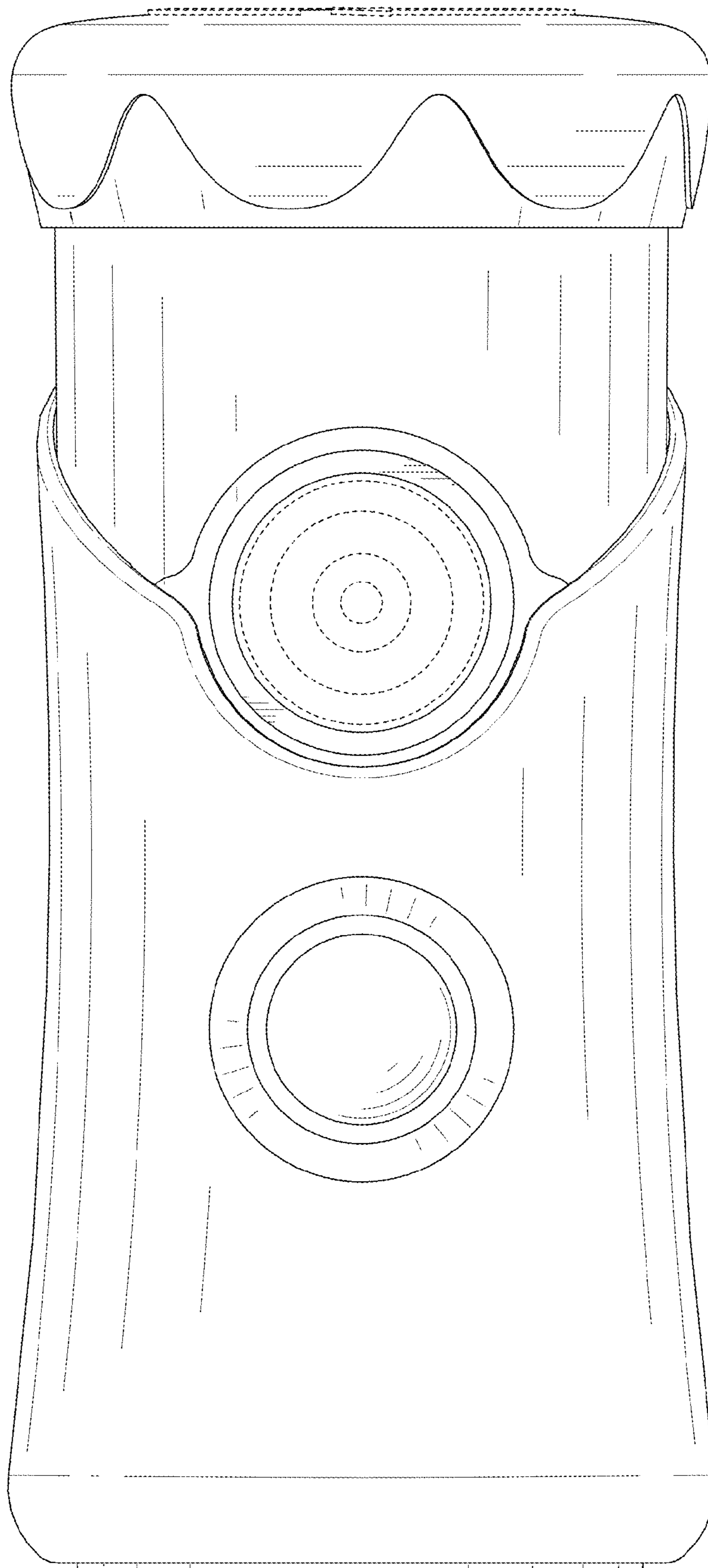


FIG. 3

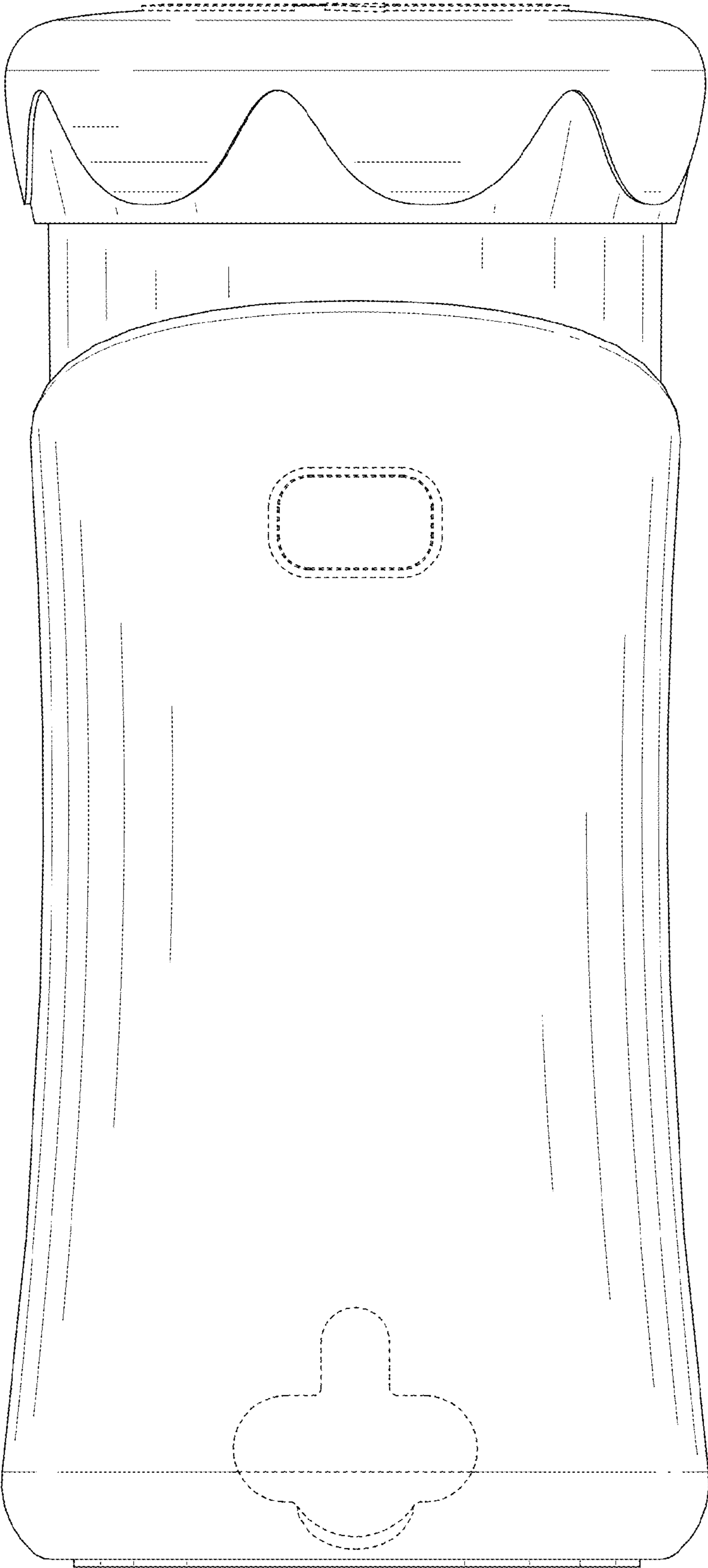


FIG. 4

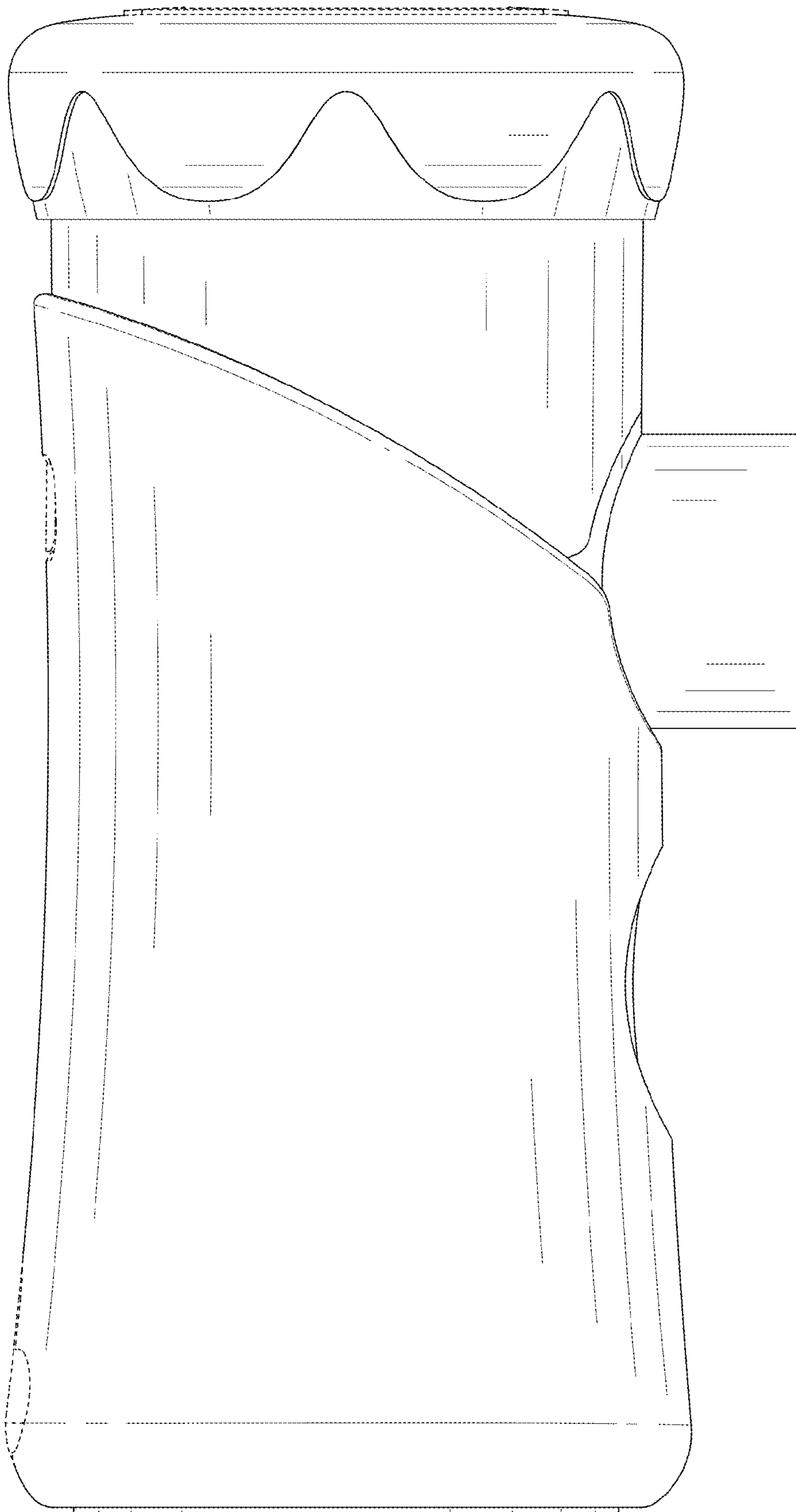


FIG. 5

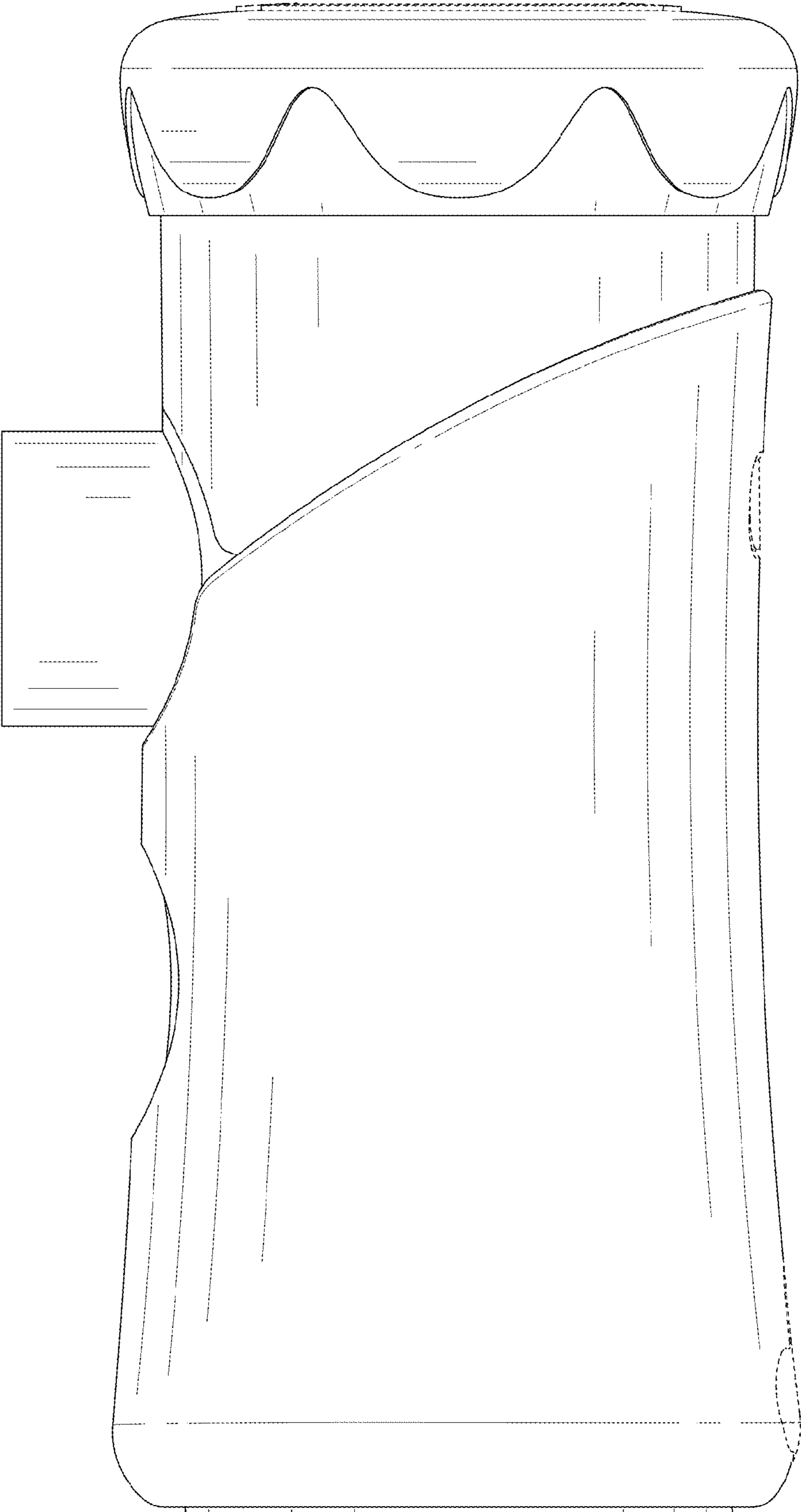


FIG. 6

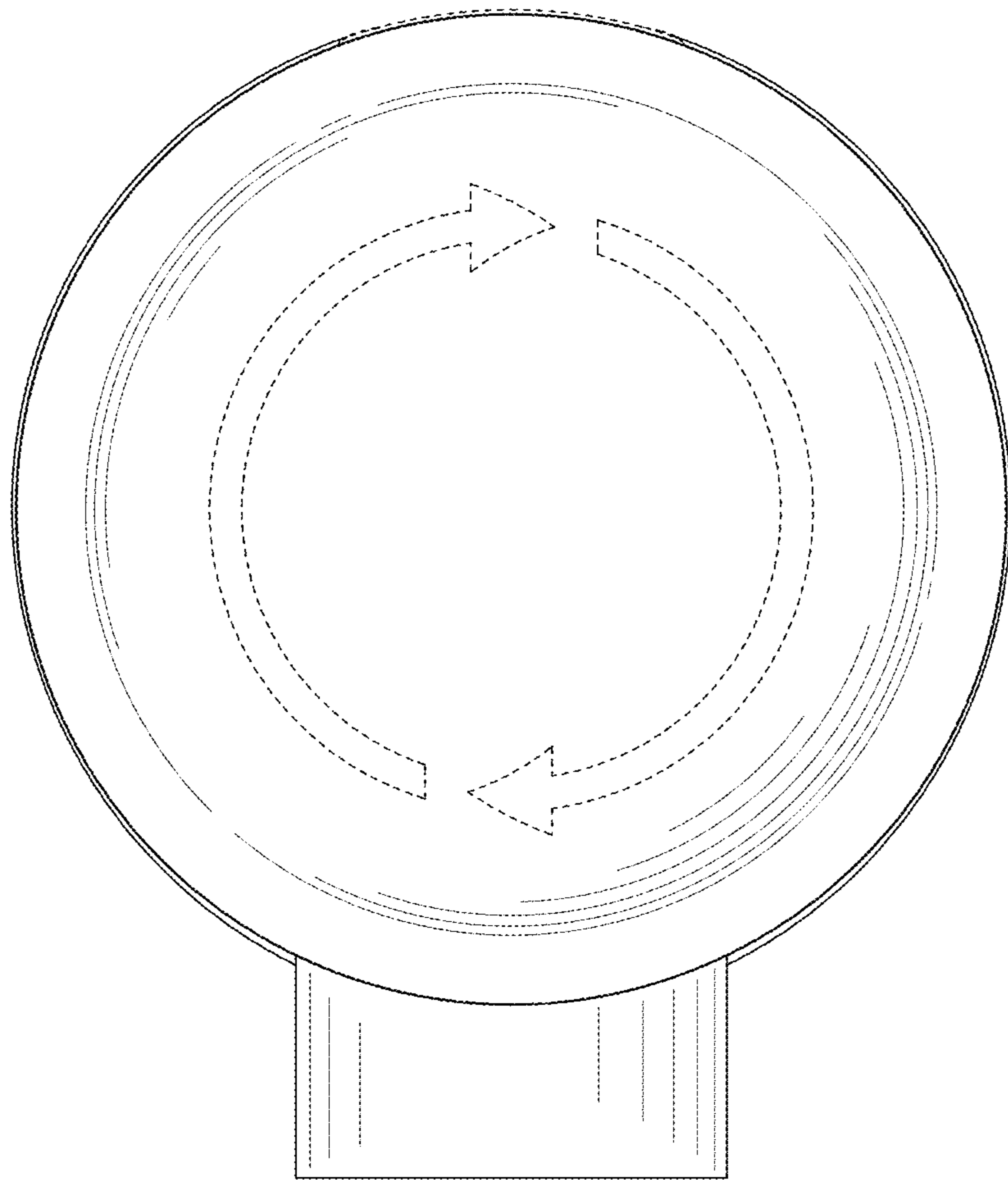


FIG. 7



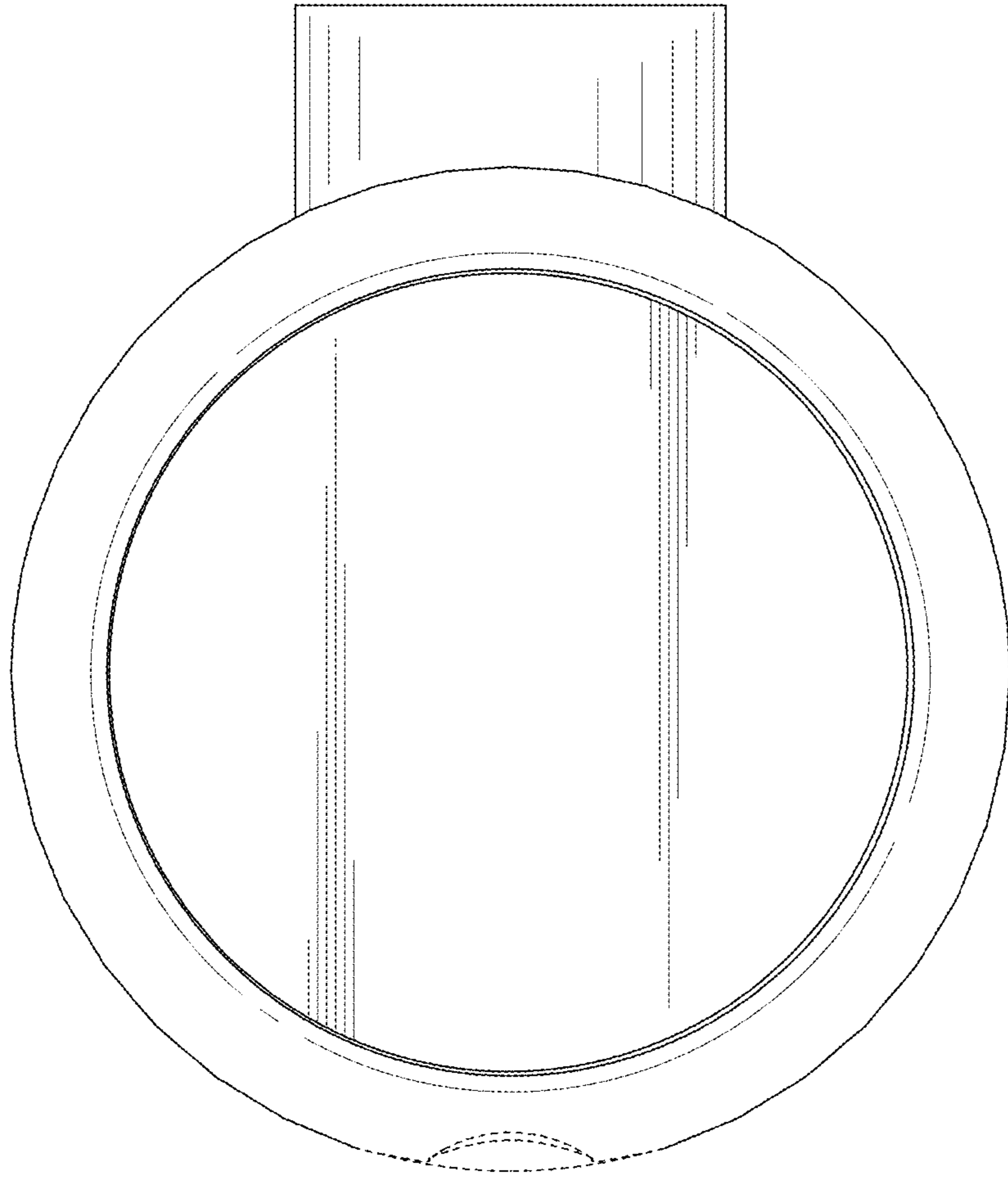


FIG. 8