



US00D928933S

(12) **United States Design Patent**  
**Zou et al.**

(10) **Patent No.:** **US D928,933 S**

(45) **Date of Patent:** **\*\* Aug. 24, 2021**

(54) **RANGE HOOD**

(71) Applicant: **FOSHAN SHUNDE MIDEA WASHING APPLIANCES MANUFACTURING CO., LTD.**, Guangdong (CN)

(72) Inventors: **Yihua Zou**, Guangdong (CN); **Xiang Zhu**, Guangdong (CN); **Shuang Li**, Guangdong (CN); **Youwei Huang**, Guangdong (CN)

(73) Assignee: **FOSHAN SHUNDE MIDEA WASHING APPLIANCES MANUFACTURING CO., LTD.**, Guangdong (CN)

(\*\*) Term: **15 Years**

(21) Appl. No.: **29/708,941**

(22) Filed: **Oct. 10, 2019**

(30) **Foreign Application Priority Data**

Apr. 12, 2019 (CN) ..... 201930166654.5

(51) **LOC (13) Cl.** ..... **23-04**

(52) **U.S. Cl.**  
USPC ..... **D23/372**

(58) **Field of Classification Search**  
USPC ..... D23/314, 370-376, 385, 393  
CPC ..... F24C 15/2007; F24C 15/2042  
See application file for complete search history.

(56) **References Cited**

**U.S. PATENT DOCUMENTS**

D460,547 S *	7/2002	Li	.....	D23/372
6,470,880 B1 *	10/2002	Chang	.....	F24C 15/20126/299 D
D621,022 S *	8/2010	Funnell	.....	D23/372
D725,767 S *	3/2015	Hoshino	.....	D23/372
D799,019 S *	10/2017	Schrock	.....	D23/371
2006/0249141 A1 *	11/2006	Sinur	.....	F24C 15/2064126/299 R
2010/0095949 A1 *	4/2010	Huang	.....	F24C 15/2028126/299 D

**OTHER PUBLICATIONS**

Range Hood T, product added Jun. 6, 2012, site visited Feb. 13, 2021, <<https://www.tradeindia.com/fp1165493/Range-Hood-T.html>>.\*

Curved Glass Cooker Hood, posted Mar. 5, 2018 per google search result, site visited Feb. 26, 2021, <<https://www.made-in-china.com/showroom/caoaken/product-detailDbTEixBAgshX/China-Curved-Glass-Cooker-Hood.html>>.\*

Klarstein Simplicia 70 Fan Module Built-in Hood, first available Dec. 16, 2019, site visited Feb. 27, 2021, <<https://www.amazon.co.uk/Klarstein-Simplicia-Module-Built-Hood/dp/B082T36G8G?th=1>>.\*

\* cited by examiner

*Primary Examiner* — Lilyana Bekic

*Assistant Examiner* — Sharon S Oum

(74) *Attorney, Agent, or Firm* — Scully Scott Murphy & Presser

(57) **CLAIM**

The ornamental design for a range hood, as shown and described.

**DESCRIPTION**

FIG. 1 is a perspective view of a range hood showing our new design;

FIG. 2 is an alternative perspective view thereof;

FIG. 3 is a front elevation view thereof;

FIG. 4 is a rear elevation view thereof;

FIG. 5 is a side elevation view thereof;

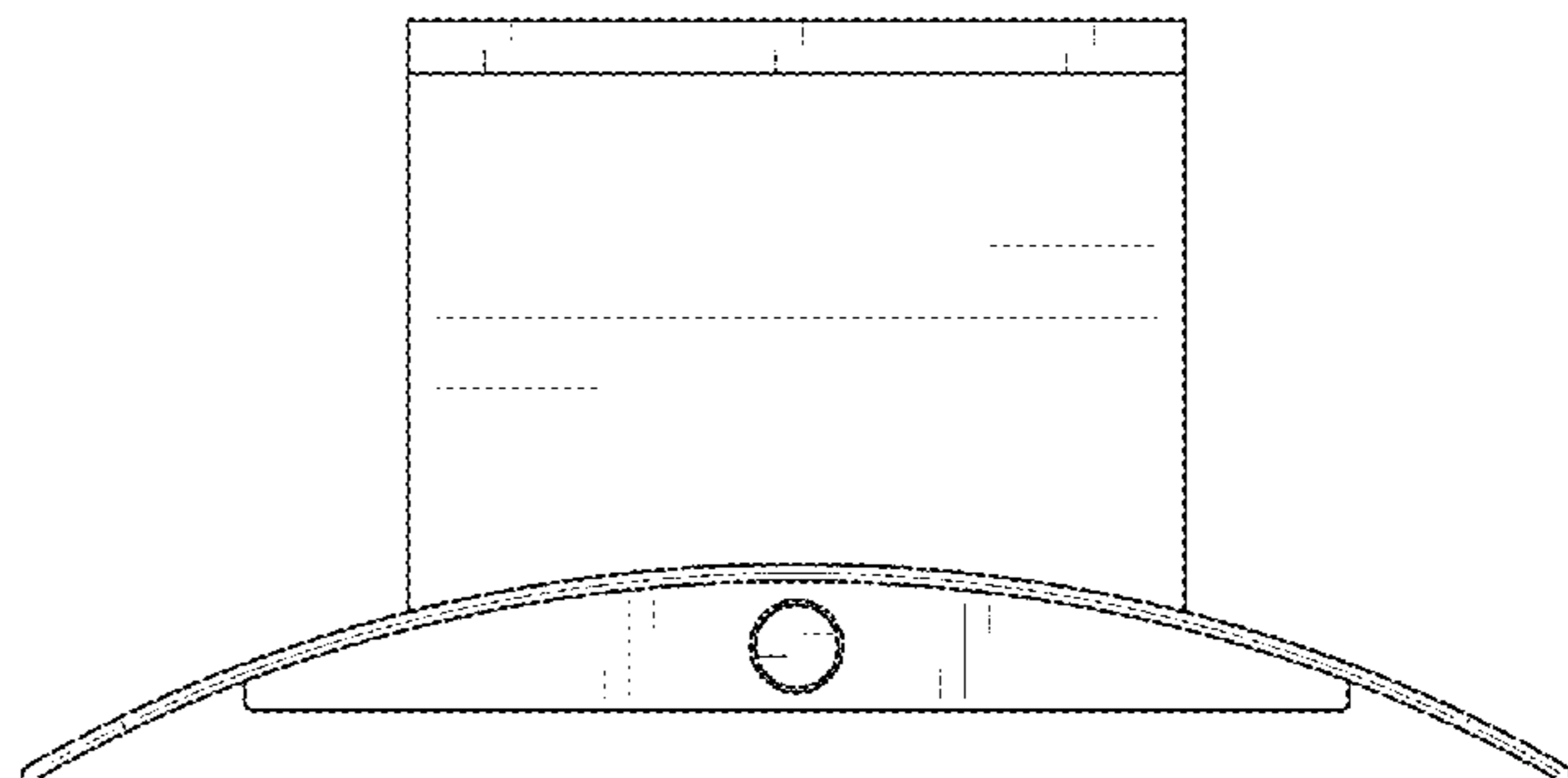
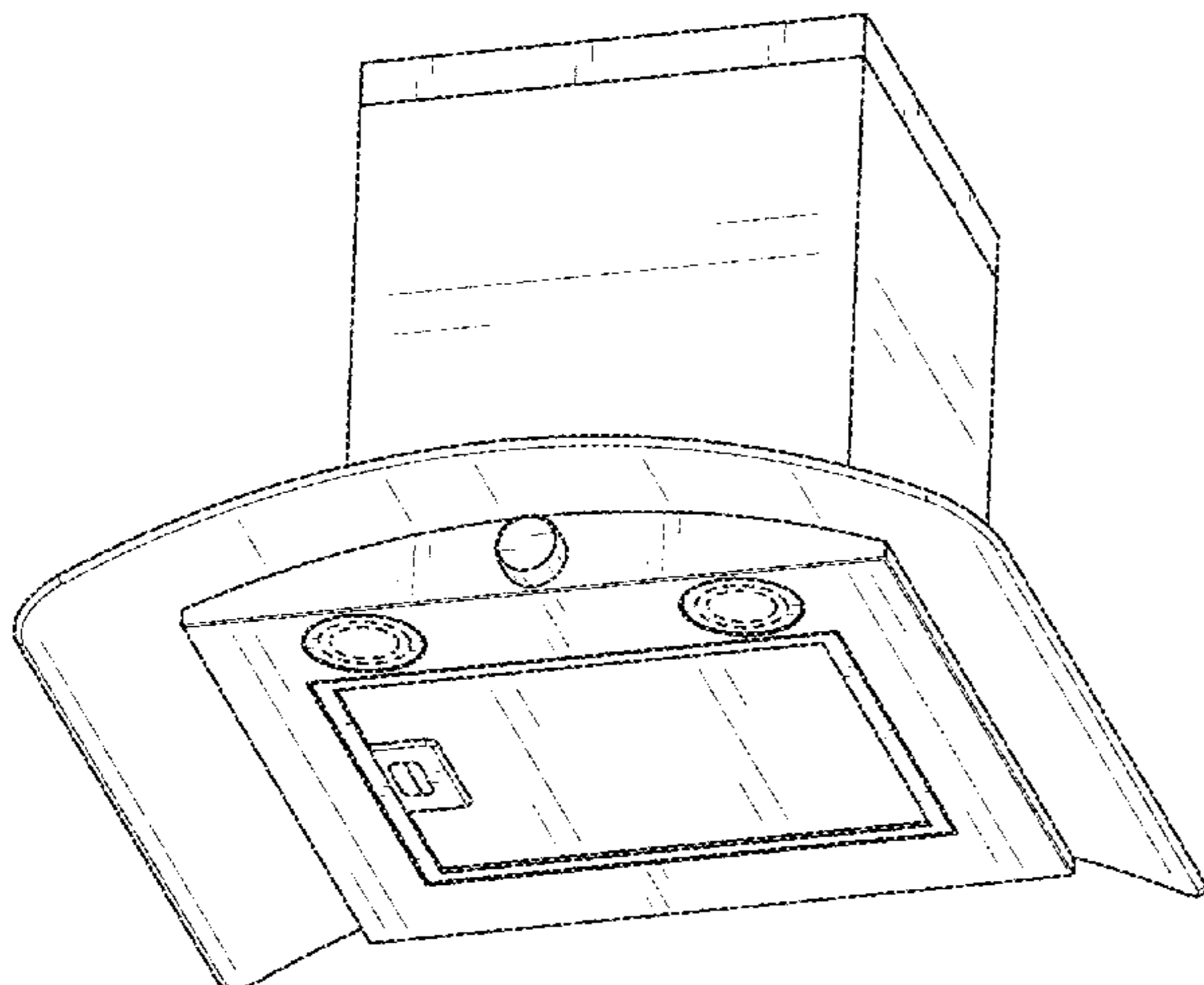
FIG. 6 is an opposite side elevation view thereof;

FIG. 7 is a top plan view thereof; and,

FIG. 8 is a bottom plan view thereof.

The broken lines depict portions of the range hood that form no part of the claimed design.

**1 Claim, 8 Drawing Sheets**



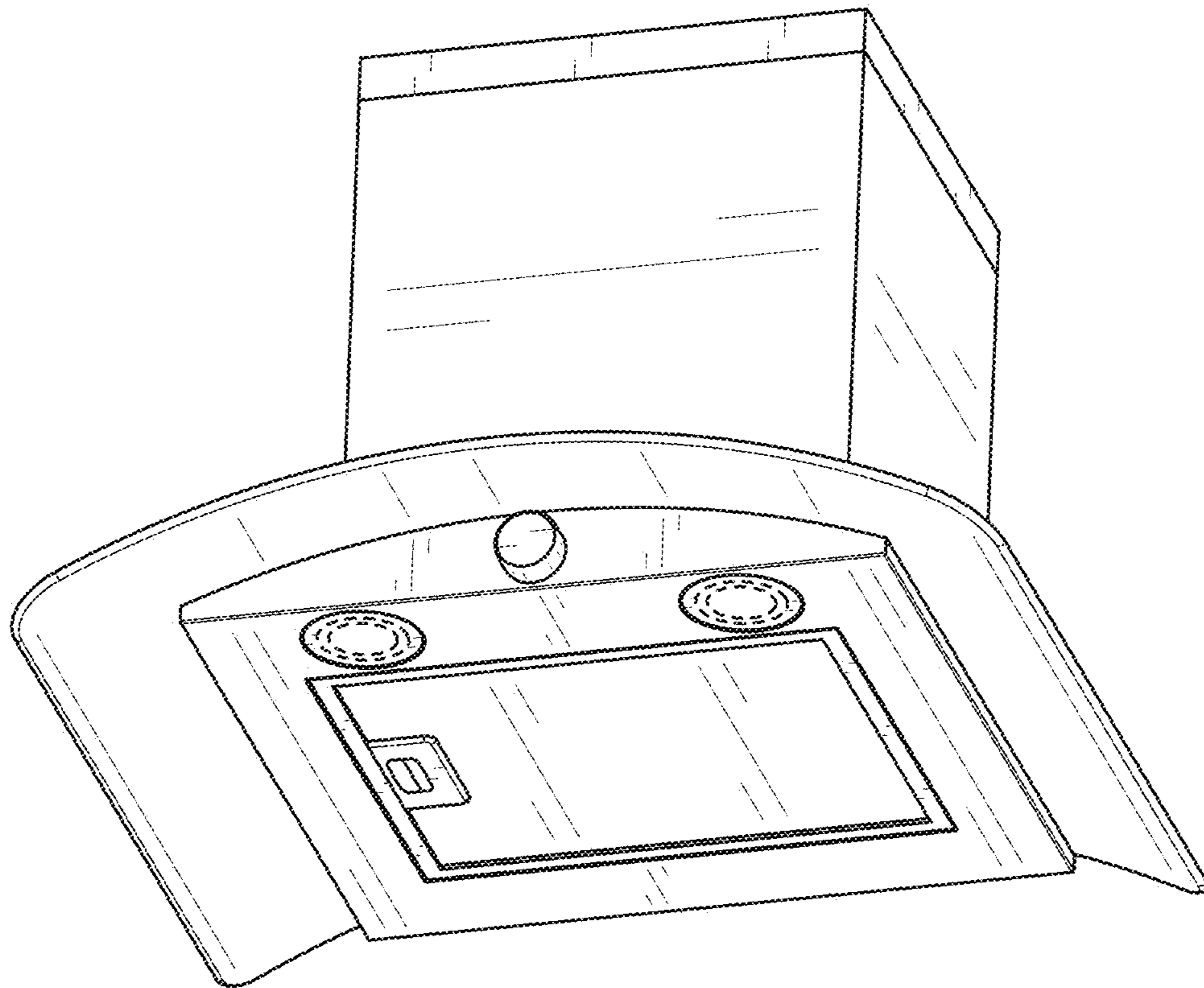


FIG. 1

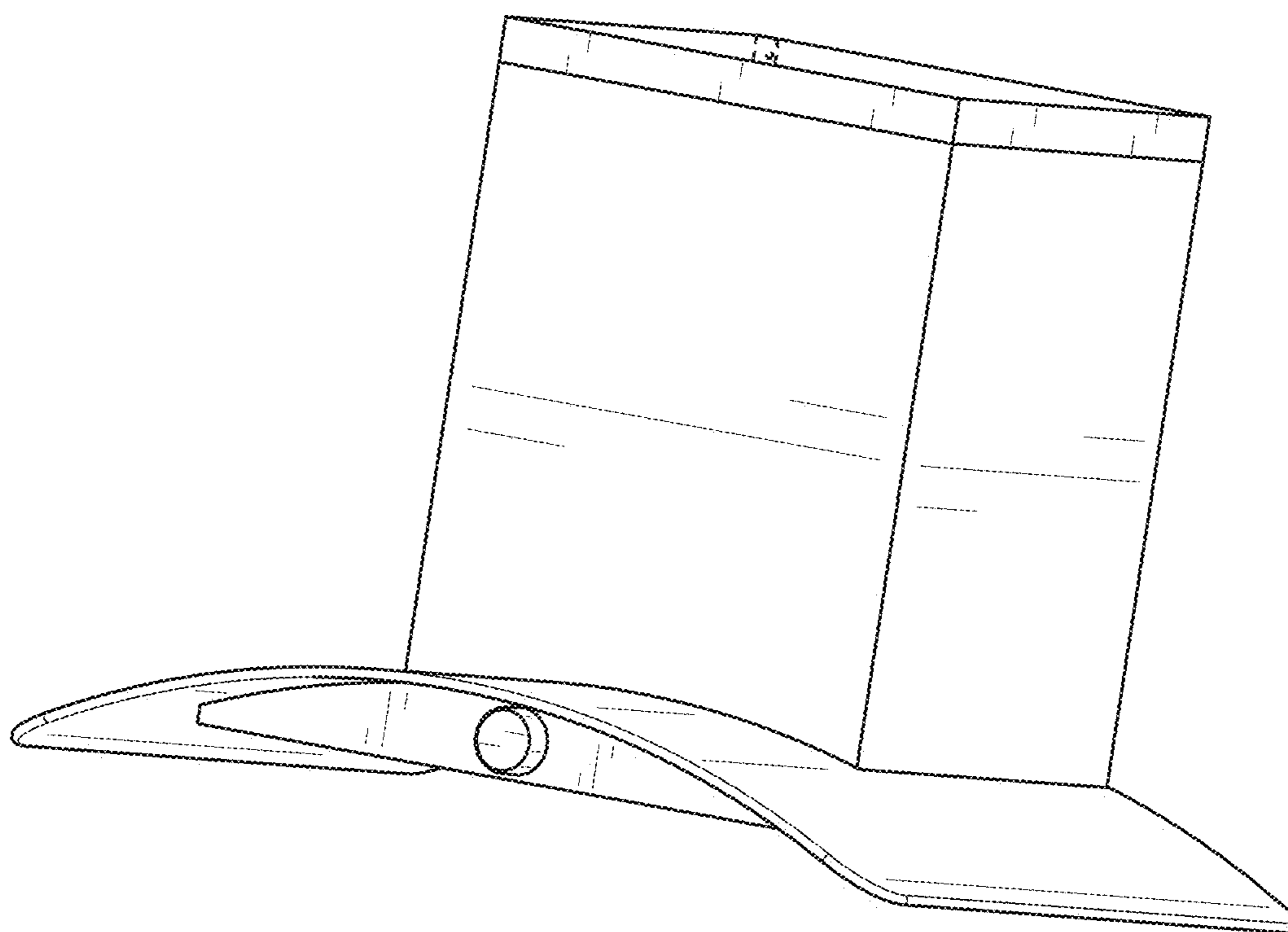


FIG. 2

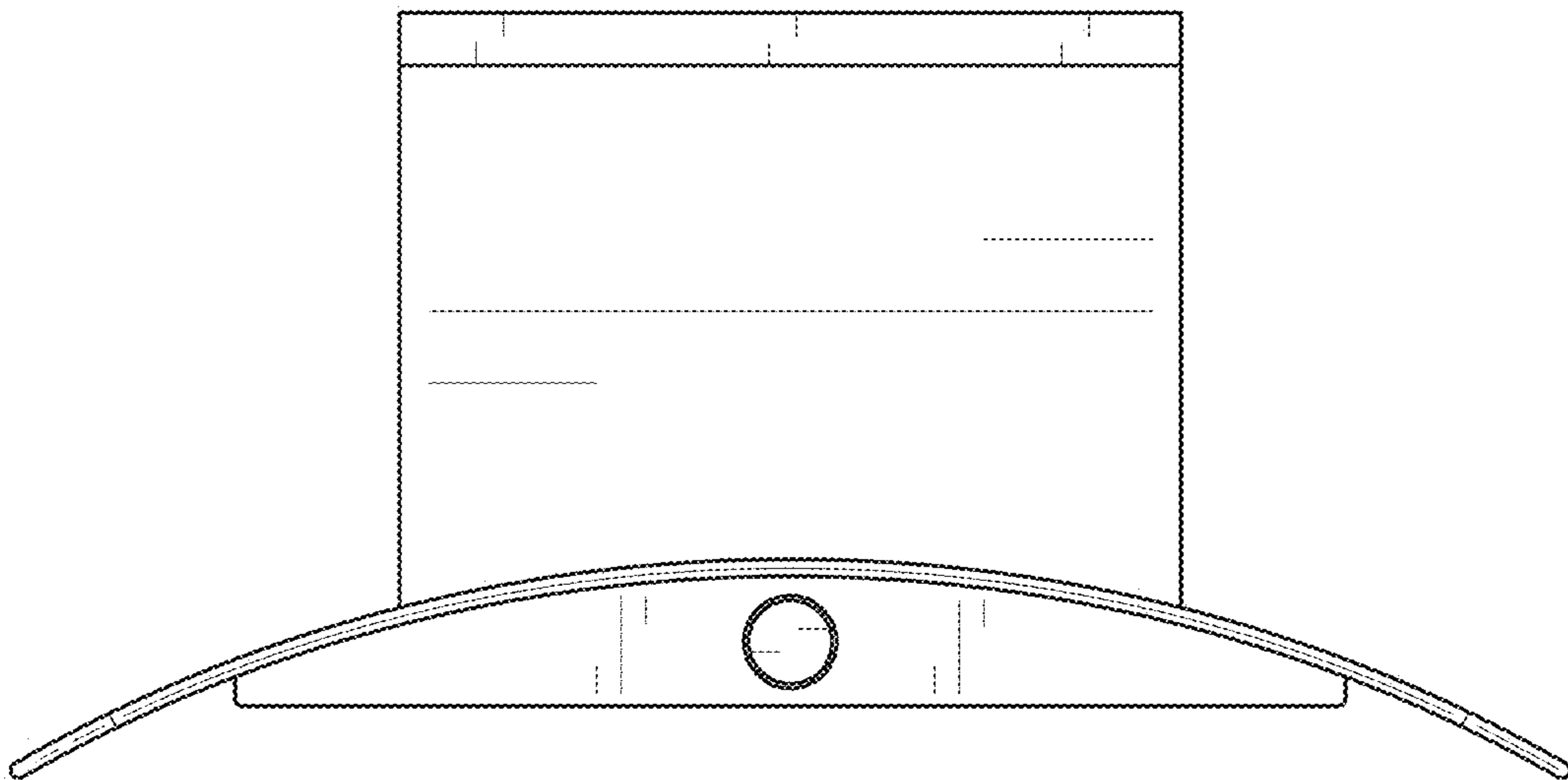


FIG. 3

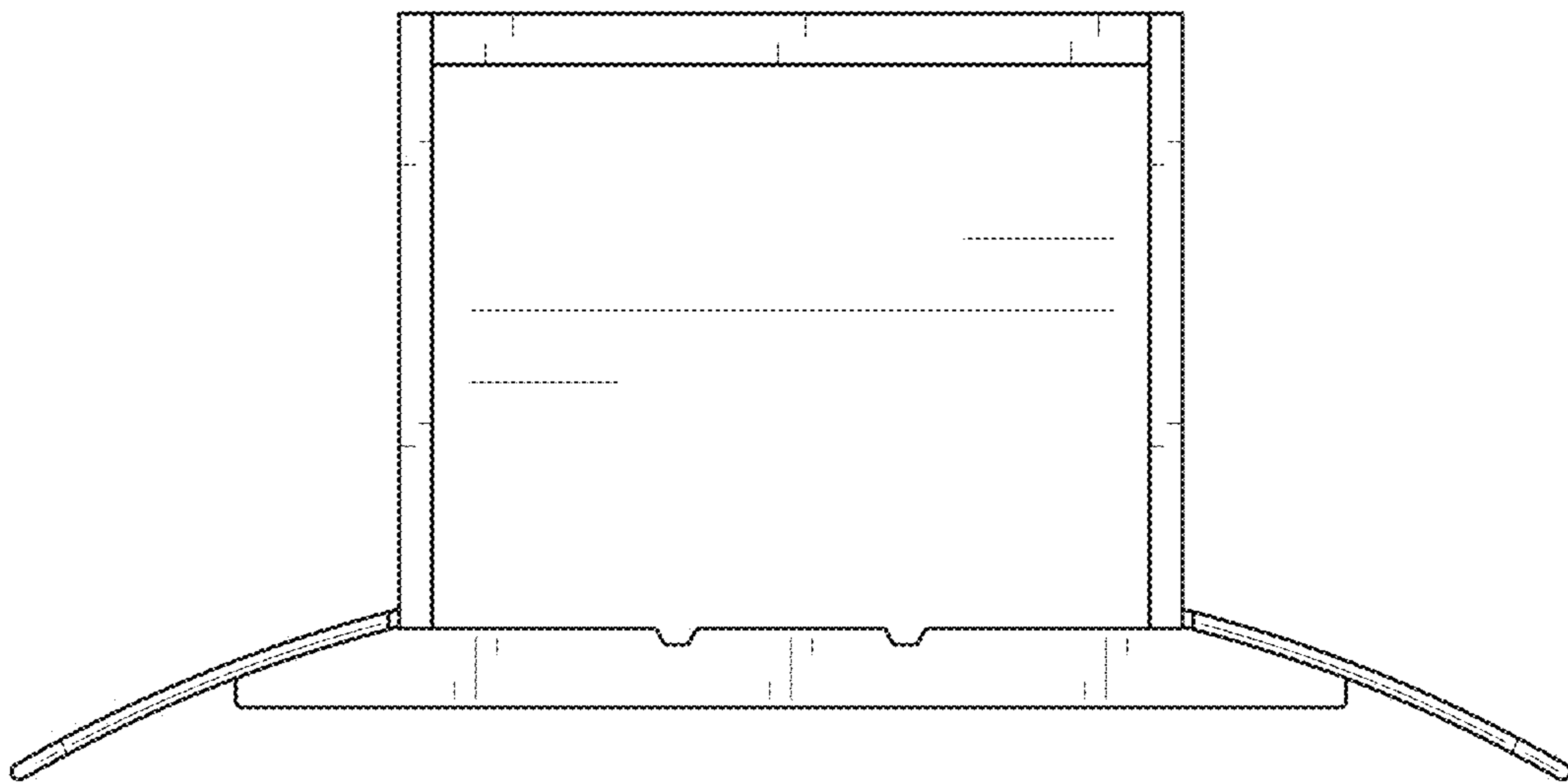


FIG. 4

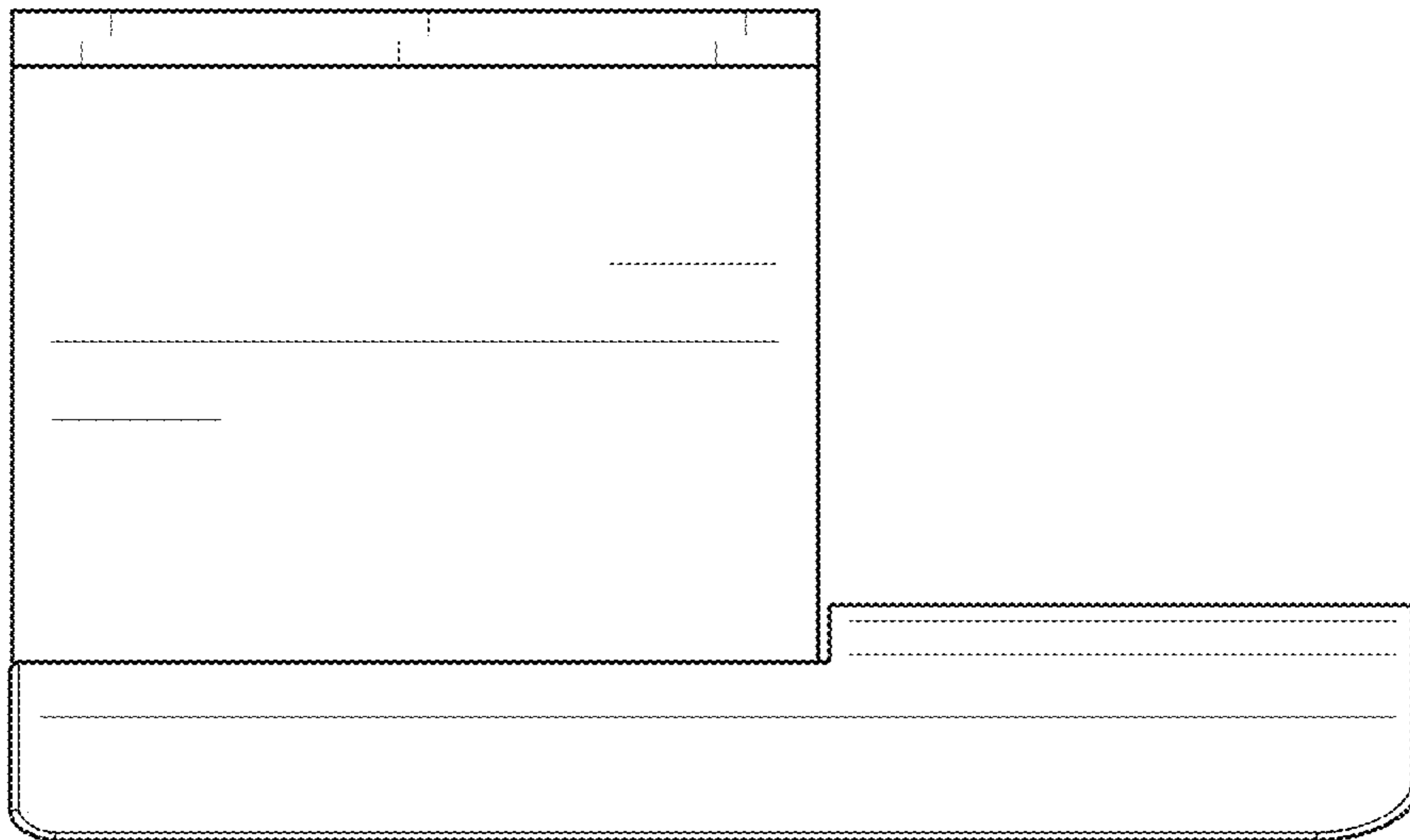


FIG. 5

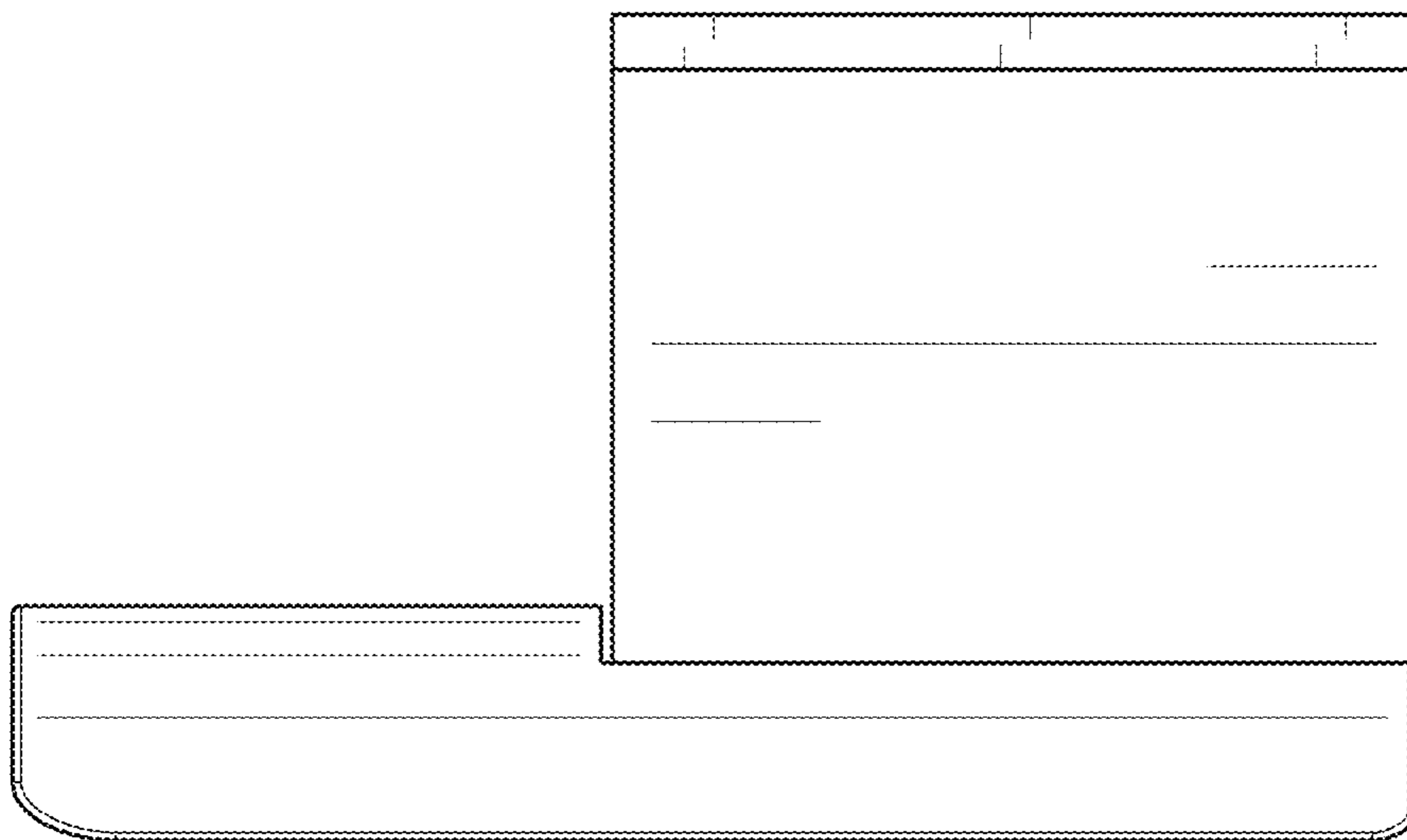


FIG. 6

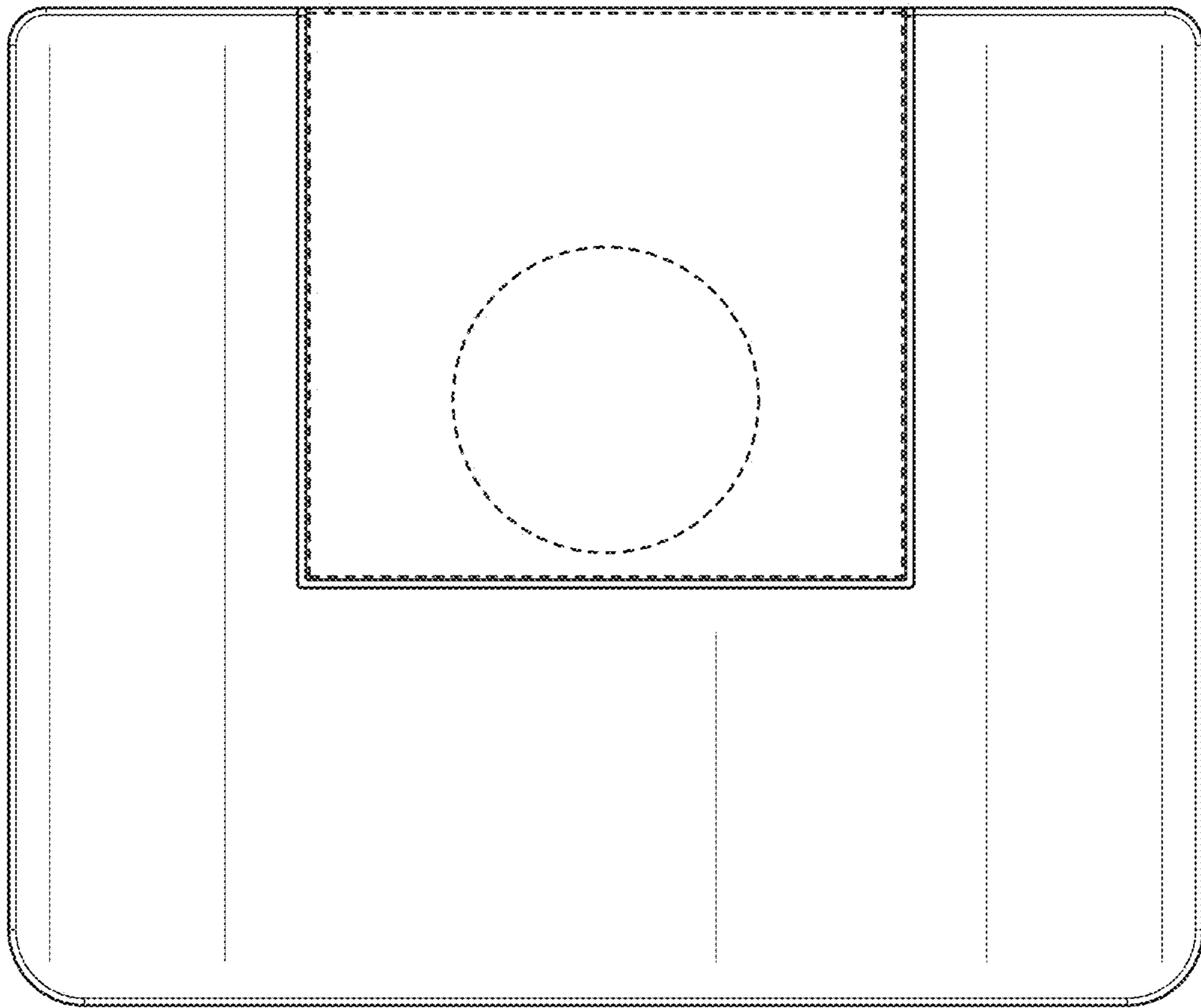


FIG. 7



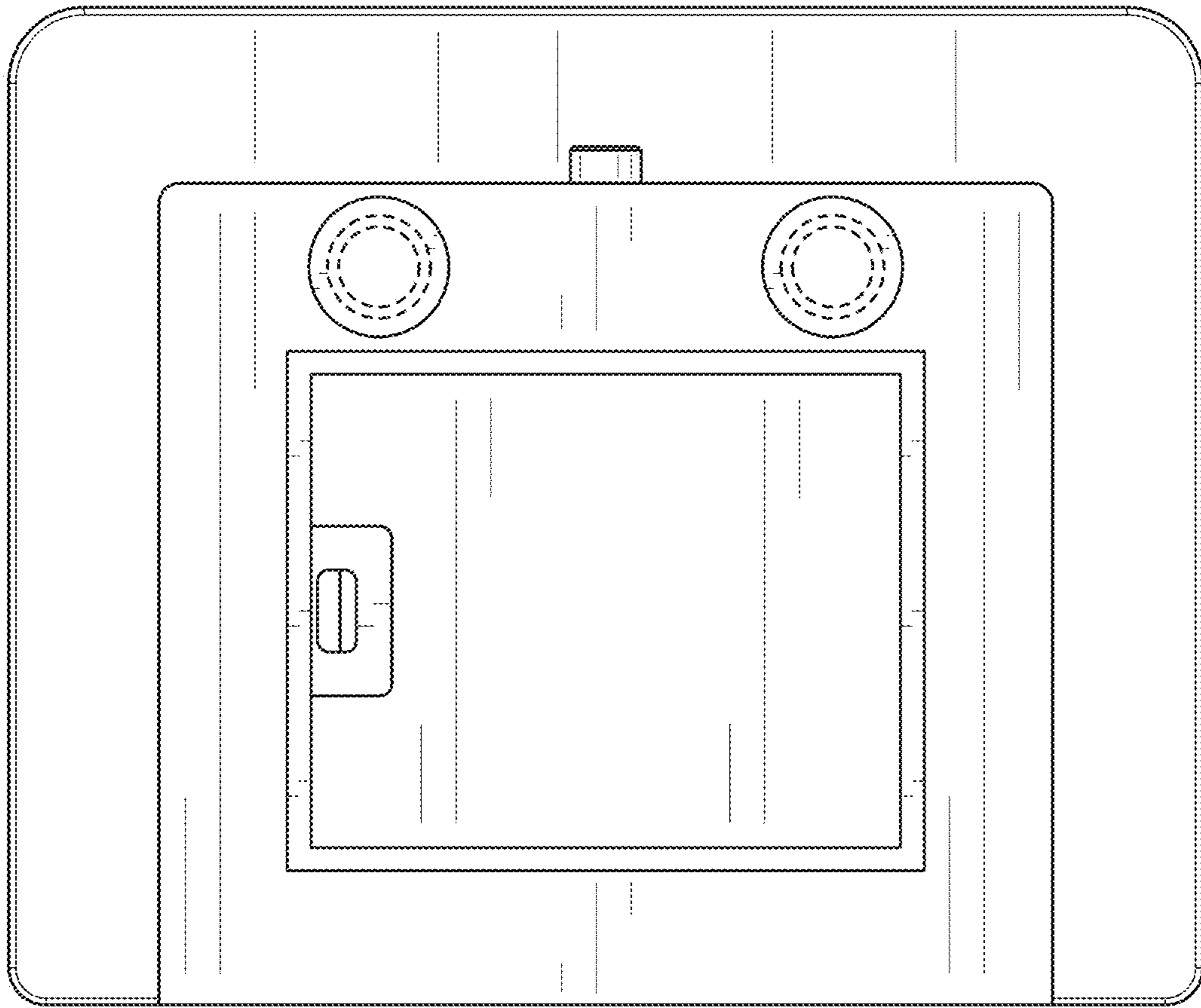


FIG. 8