



US00D928931S

(12) **United States Design Patent**  
**Lyu et al.**

(10) **Patent No.:** **US D928,931 S**  
(45) **Date of Patent:** **\*\* Aug. 24, 2021**

(54) **FILTRATION AND STERILIZATION DEVICE FOR RESPIRATORY DROPLET**

(71) Applicant: **Guangzhou Ajax Medical Equipment Co., Ltd.**, Guangzhou (CN)

(72) Inventors: **Bing Lyu**, Guangzhou (CN);  
**Yuansheng Zhou**, Guangzhou (CN);  
**Xuehua Huang**, Guangzhou (CN);  
**Qing Xiang**, Guangzhou (CN); **Zhijie Li**, Guangzhou (CN)

(73) Assignee: **GUANGZHOU AJAX MEDICAL EQUIPMENT CO., LTD.**, Guangzhou (CN)

(\*\*) Term: **15 Years**

(21) Appl. No.: **29/733,140**

(22) Filed: **Apr. 29, 2020**

(30) **Foreign Application Priority Data**

Mar. 6, 2020 (CN) ..... 202030072773.7

(51) **LOC (13) Cl.** ..... **23-04**

(52) **U.S. Cl.**  
USPC ..... **D23/364**

(58) **Field of Classification Search**  
USPC ..... D23/355-366, 352, 369, 332, 333, 335, D23/336, 342, 351; 422/120, 122; 55/356, 473, 504; 96/97; 261/DIG. 17, 261/DIG. 65, DIG. 88, DIG. 31  
CPC .. A61L 9/16; A61L 9/22; B01D 47/00; B01D 47/027; B01D 2221/02; B01D 2259/4508; B03C 3/155; B03C 3/368; F24F 3/16; F24F 13/20; F24F 13/28

See application file for complete search history.

(56) **References Cited**

U.S. PATENT DOCUMENTS

5,154,893	A *	10/1992	Nakade .....	A61L 9/122
				422/122
5,188,644	A *	2/1993	Landy .....	B01D 46/2411
				422/122
5,267,371	A *	12/1993	Soler .....	A47L 5/36
				15/327.5
5,281,246	A *	1/1994	Ray .....	B01D 46/002
				55/302
6,143,048	A *	11/2000	Comproni .....	B01D 46/0036
				118/326
6,663,698	B2 *	12/2003	Mishin .....	B01D 46/0005
				55/320
8,460,417	B2 *	6/2013	Reid .....	B08B 15/04
				55/356
D771,786	S *	11/2016	Canipe .....	D23/333
D780,898	S *	3/2017	Canipe .....	D23/333

(Continued)

*Primary Examiner* — David G Muller

(74) *Attorney, Agent, or Firm* — Bayramoglu Law Offices LLC

(57) **CLAIM**

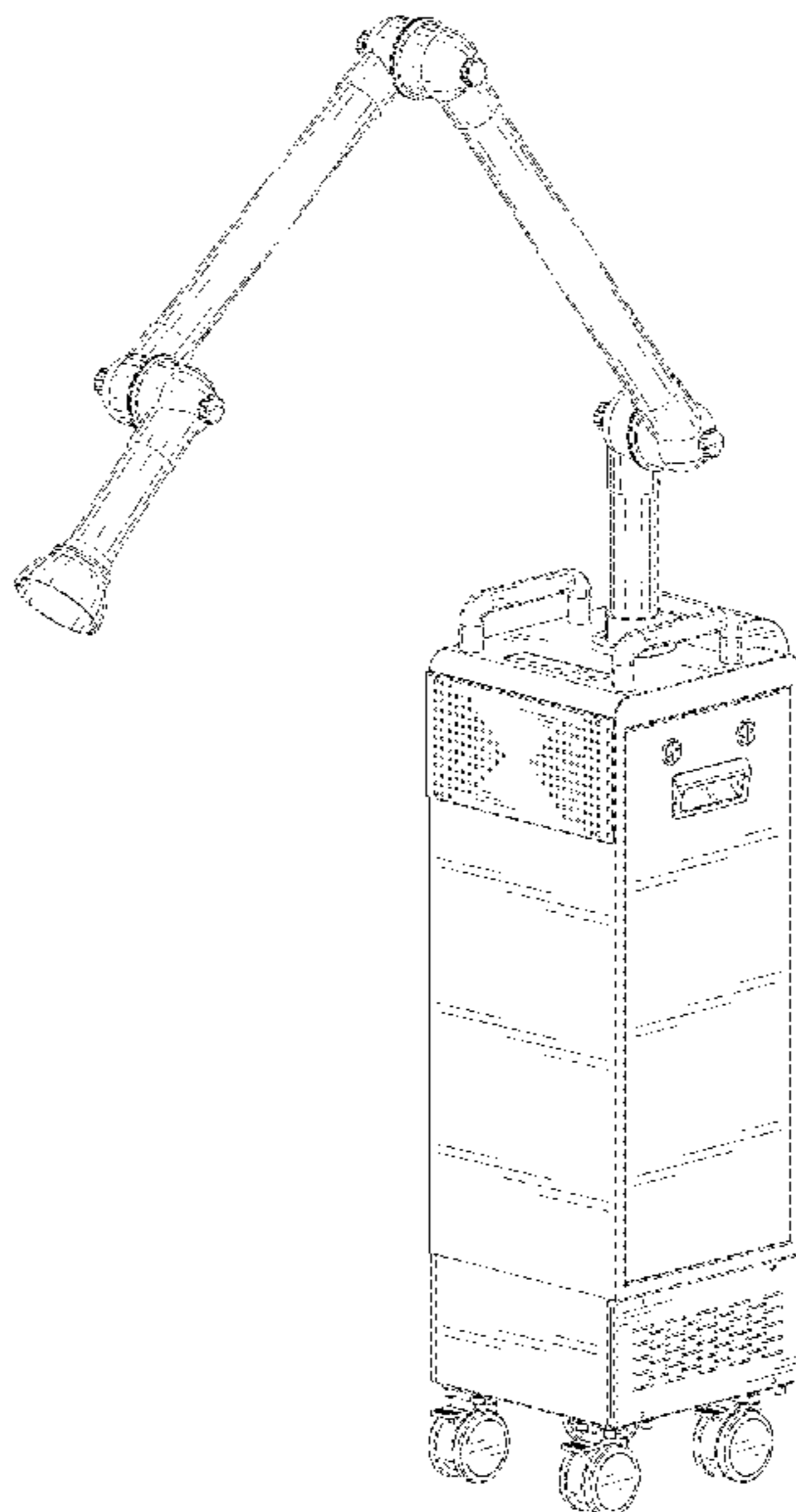
The ornamental design for a filtration and sterilization device for respiratory droplet, as shown and described.

**DESCRIPTION**

FIG. 1 is a perspective view of a filtration and sterilization device for respiratory droplet showing our new design; FIG. 2 is a front elevational view thereof; FIG. 3 is a rear elevational view thereof; FIG. 4 is a left side elevational view thereof; FIG. 5 is a right side elevational view thereof; FIG. 6 is a top plan view thereof; and, FIG. 7 is a bottom plan view thereof.

The broken lines depict portions of the filtration and sterilization device for respiratory droplet in which the design is embodied that form no part of the claimed design.

**1 Claim, 7 Drawing Sheets**



(56)

**References Cited**

U.S. PATENT DOCUMENTS

D918,360 S \* 5/2021 Francis ..... D23/335  
2011/0223071 A1\* 9/2011 Kang ..... B01D 46/0036  
422/169  
2018/0133084 A1\* 5/2018 Kirschman ..... B01D 46/0028  
2021/0128769 A1\* 5/2021 Zhang ..... B01D 46/4245

\* cited by examiner

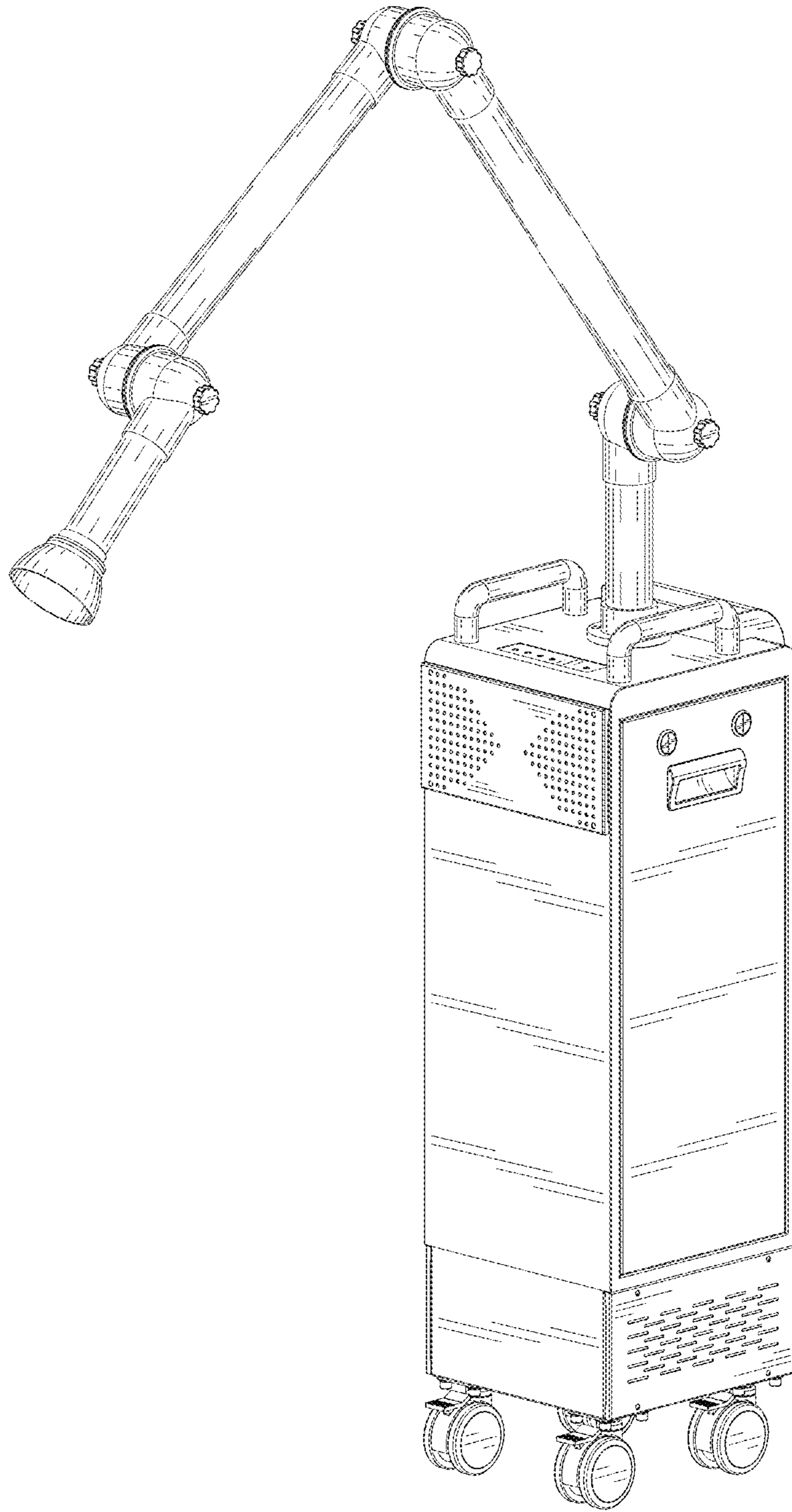


FIG. 1

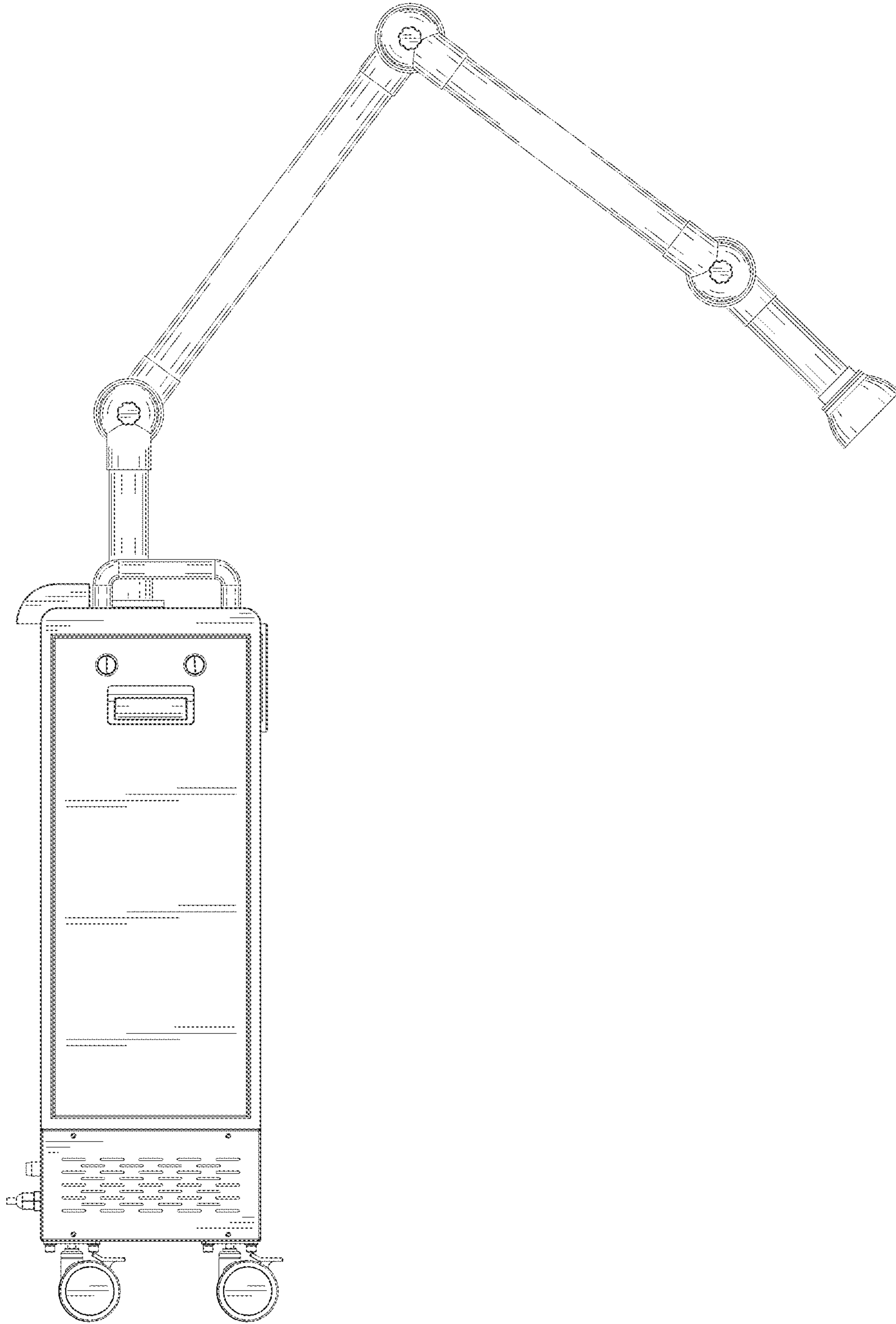


FIG. 2

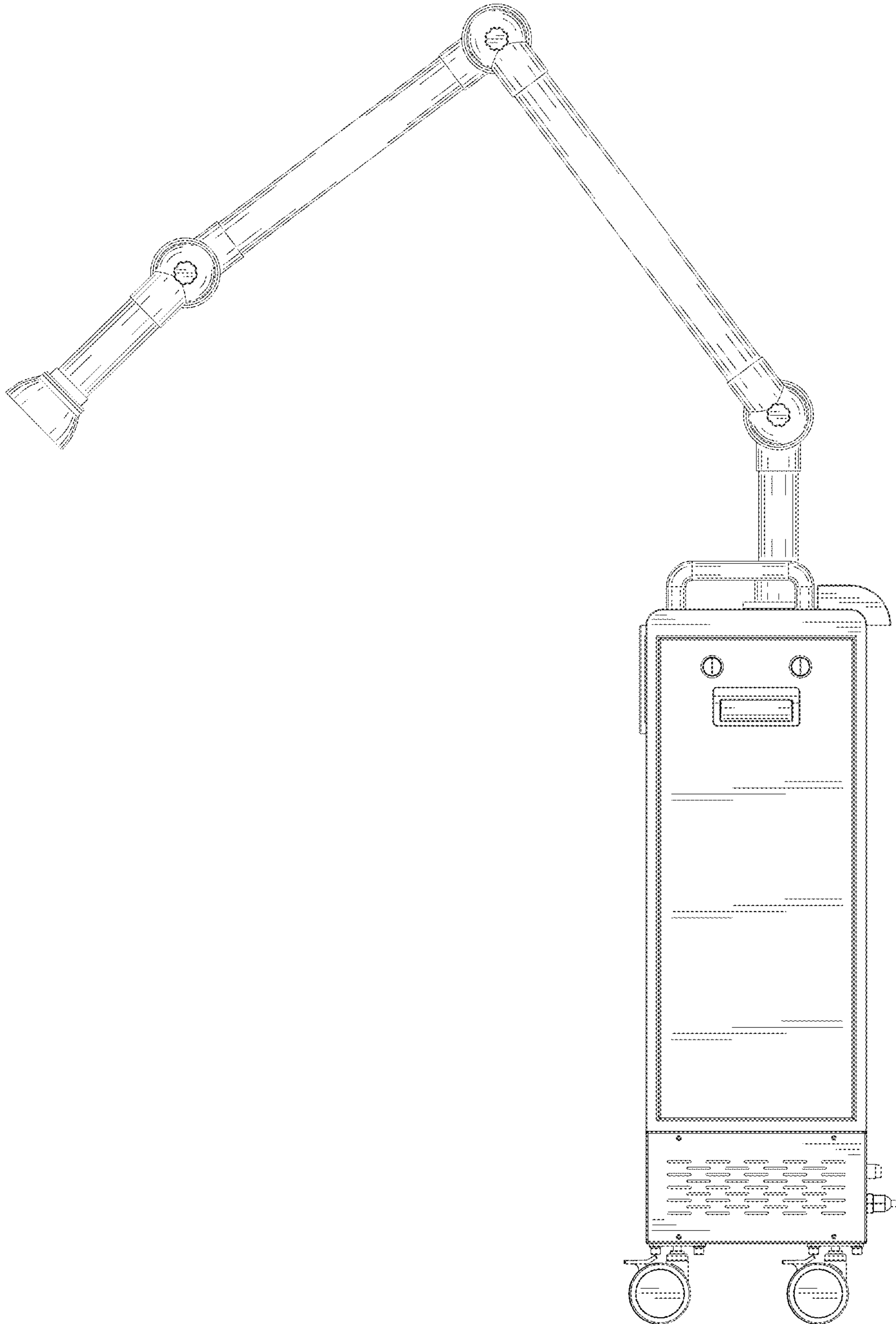


FIG. 3

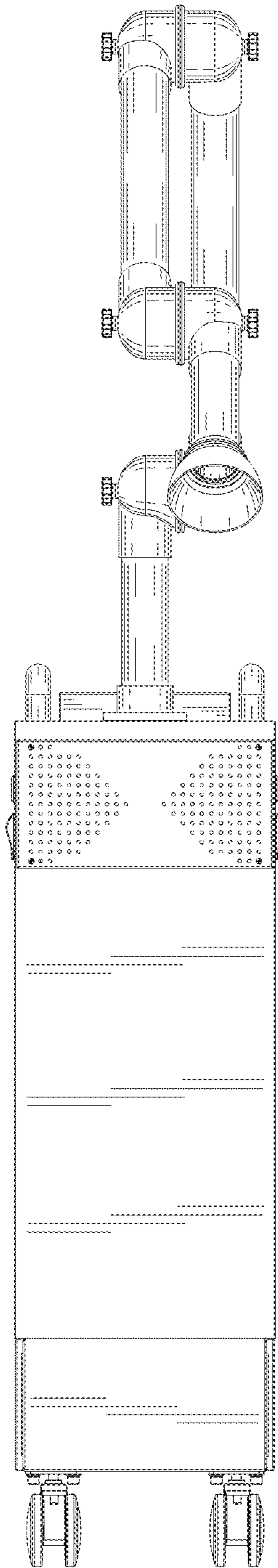


FIG. 4

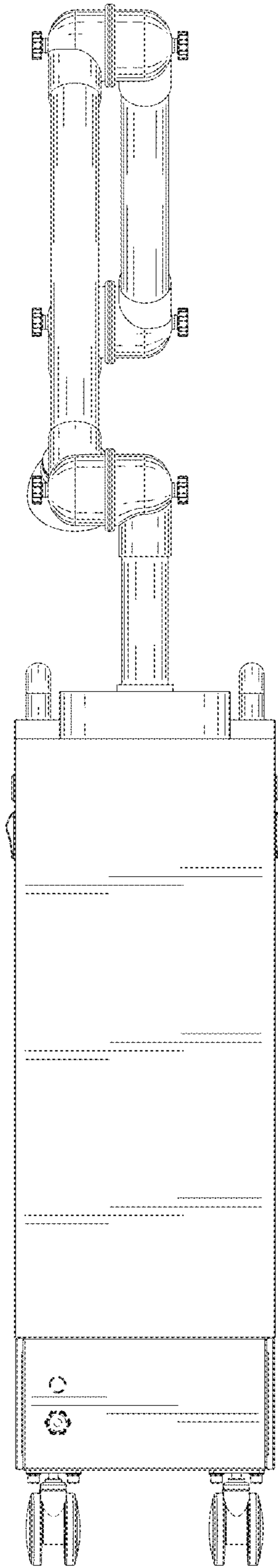


FIG. 5

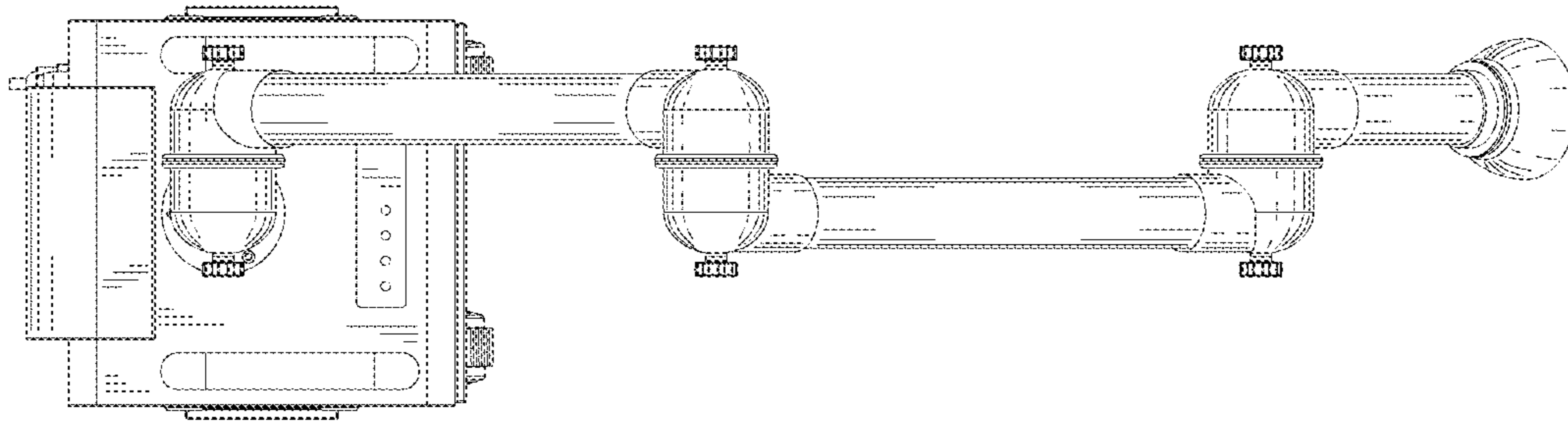


FIG. 6



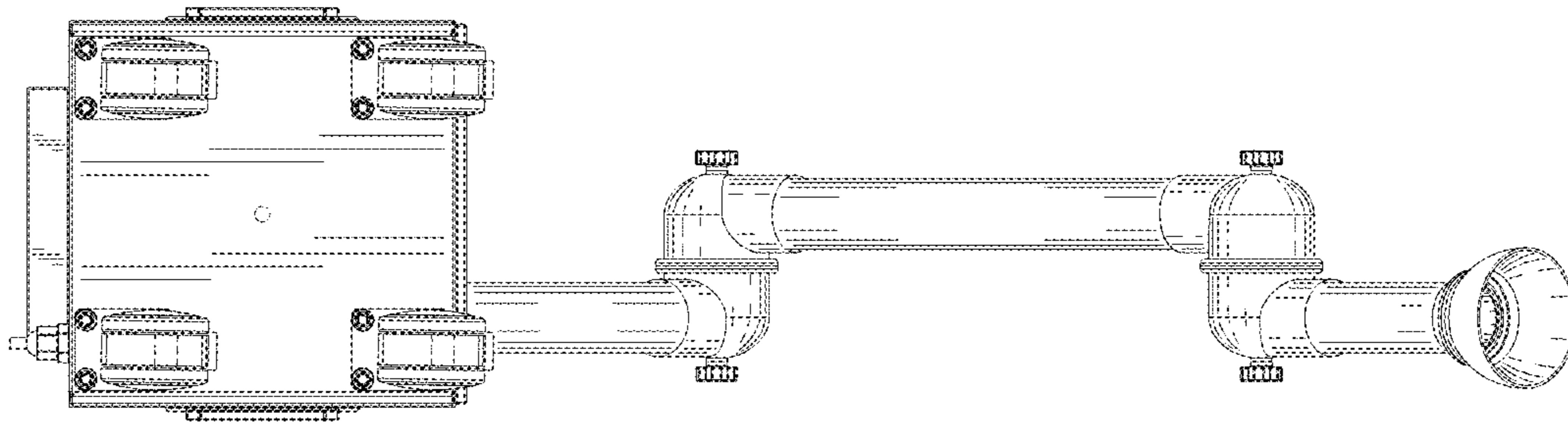


FIG. 7