

US00D928930S

(12) **United States Design Patent**
Bowser, Jr.

(10) **Patent No.:** **US D928,930 S**

(45) **Date of Patent:** **** Aug. 24, 2021**

(54) **COKE OVEN CORBEL GAS OFFTAKE
MODULE COMPONENT**

(71) Applicant: **FOSBEL, INC.**, Brook Park, OH (US)

(72) Inventor: **Alan E. Bowser, Jr.**, Brook Park, OH
(US)

(73) Assignee: **FOSBEL, INC.**, Brook Park, OH (US)

(**) Term: **15 Years**

(21) Appl. No.: **29/747,836**

(22) Filed: **Aug. 25, 2020**

Related U.S. Application Data

(62) Division of application No. 29/607,551, filed on Jun.
14, 2017.

(51) **LOC (13) Cl.** **23-03**

(52) **U.S. Cl.**
USPC **D23/329**

(58) **Field of Classification Search**

USPC D23/422, 398, 343, 344, 345, 347, 329,
D23/314, 322, 499; D15/144, 144.1,
D15/144.2, 123, 131; D25/102, 113, 114,
D25/115, 116, 117, 118
CPC .. C10B 5/12; C10B 29/06; C10B 3/00; C10B
1/00; C10B 15/00; C10B 29/02; F27D
1/04; F27D 1/063; F27B 13/08; F27B
13/10; F27B 13/06

See application file for complete search history.

(56) **References Cited**

U.S. PATENT DOCUMENTS

1,433,450 A 10/1922 Greiger
1,957,820 A 5/1934 Chrysler

2,006,910 A 7/1935 Brooks
2,474,301 A 6/1949 Blaha
2,908,157 A 10/1959 Bliss et al.
5,168,036 A 12/1992 Doby, Jr.
5,916,471 A 6/1999 Hall
10,364,174 B2* 7/2019 Wilson F27D 1/08
2016/0281983 A1 9/2016 Bowser, Jr.

* cited by examiner

Primary Examiner — Ania Aman

(74) *Attorney, Agent, or Firm* — Nixon & Vanderhye P.C.

(57) **CLAIM**

The ornamental design for a “coke oven corbel gas offtake
module component,” as shown and described.

DESCRIPTION

FIG. 1 is a left rear perspective view of a coke oven corbel
gas offtake module component which embodies my new and
original design therefore;

FIG. 2 is a right rear perspective view of thereof;

FIG. 3 is a right front perspective view thereof;

FIG. 4 is a left front perspective view thereof;

FIG. 5 is a rear end elevational view thereof;

FIG. 6 is a front end elevation view thereof;

FIG. 7 is a top plan view thereof;

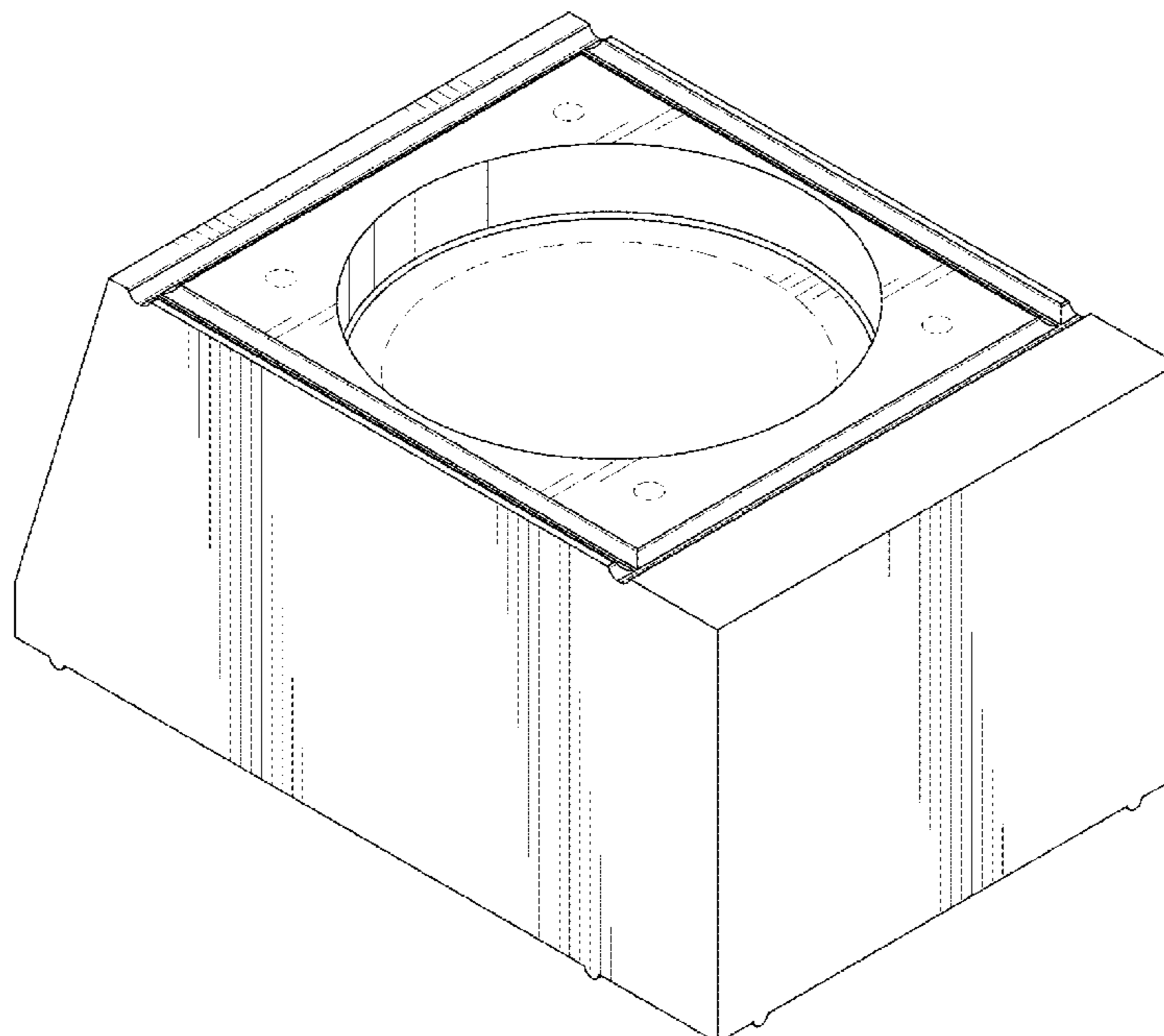
FIG. 8 is a bottom plan view thereof;

FIG. 9 is a left side elevation view thereof; and,

FIG. 10 is a right side elevation view thereof.

The broken lines appearing in FIGS. 1-4 and 7-8 illustrate
portions of the “coke oven corbel gas offtake module com-
ponent” that form no part of the claimed design.

1 Claim, 8 Drawing Sheets



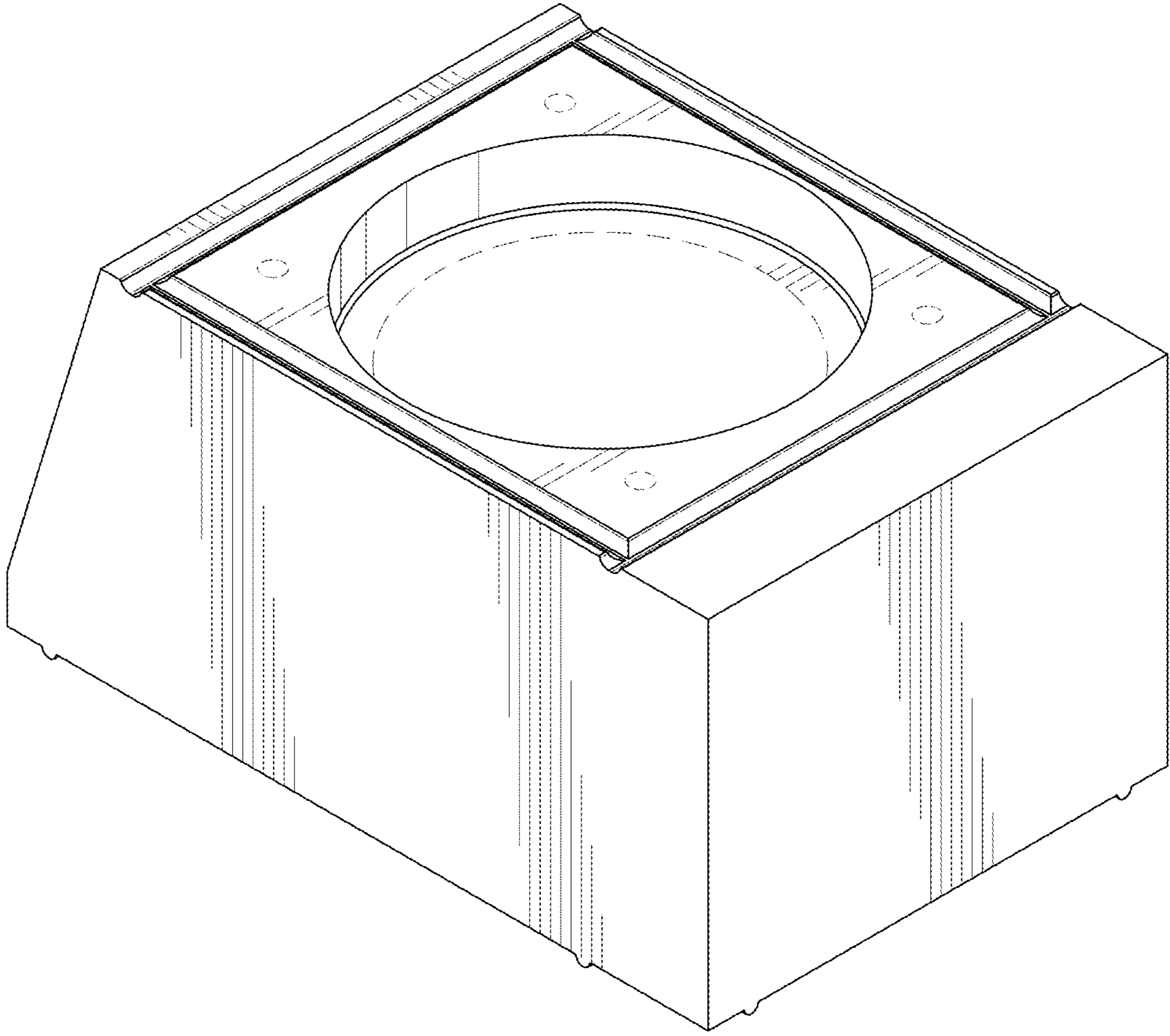


Fig. 1

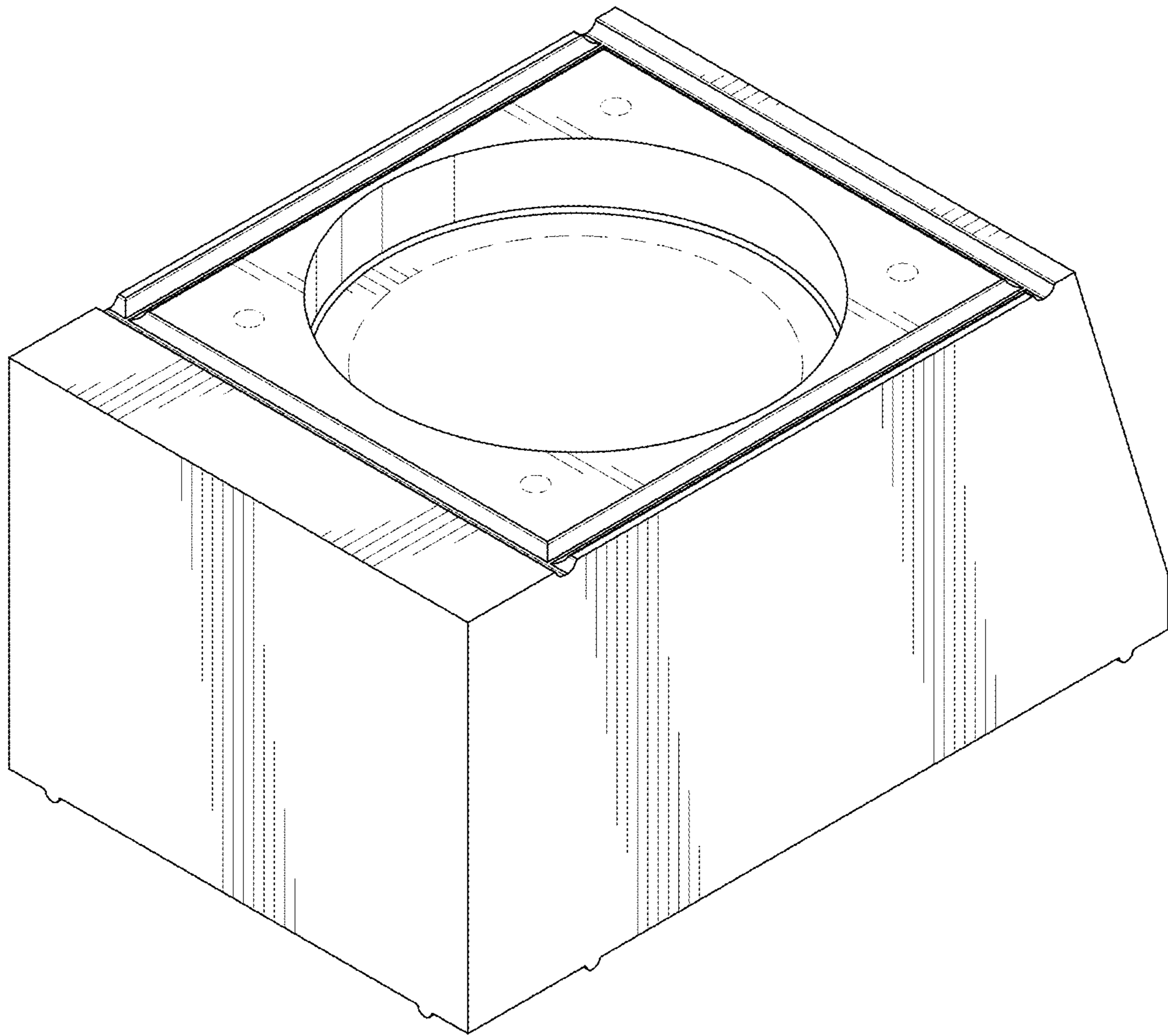


Fig. 2

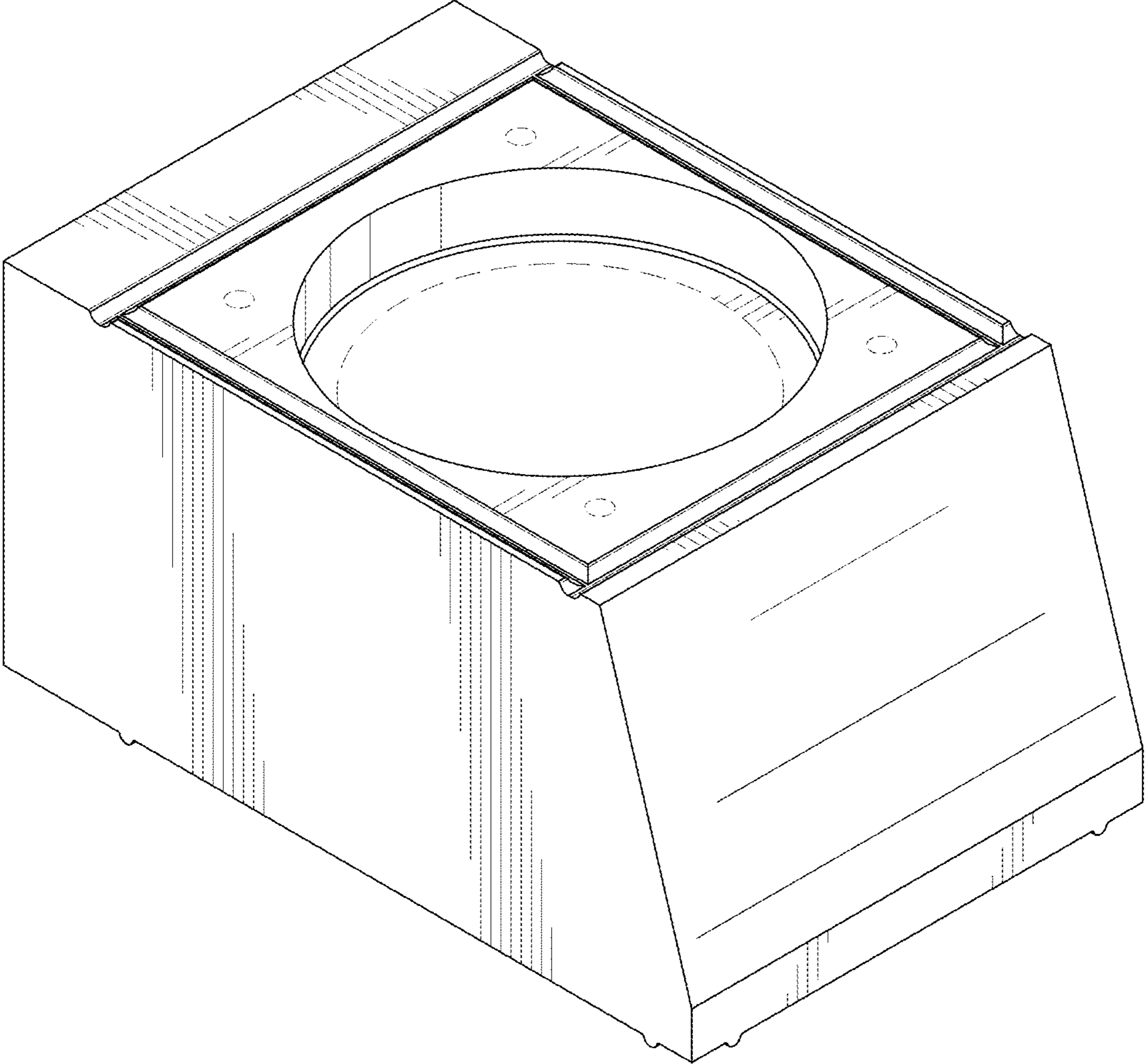


Fig. 3

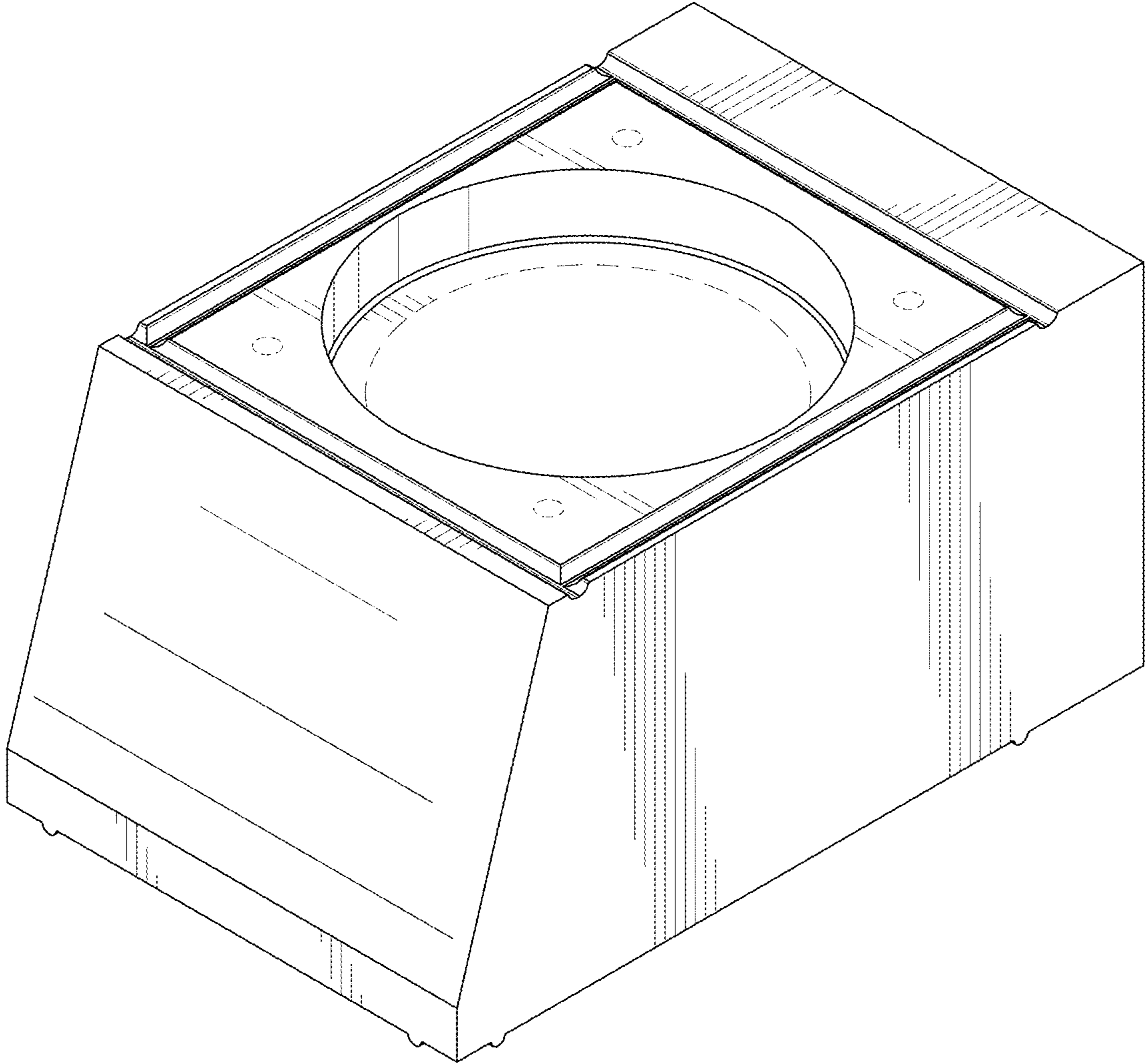


Fig. 4

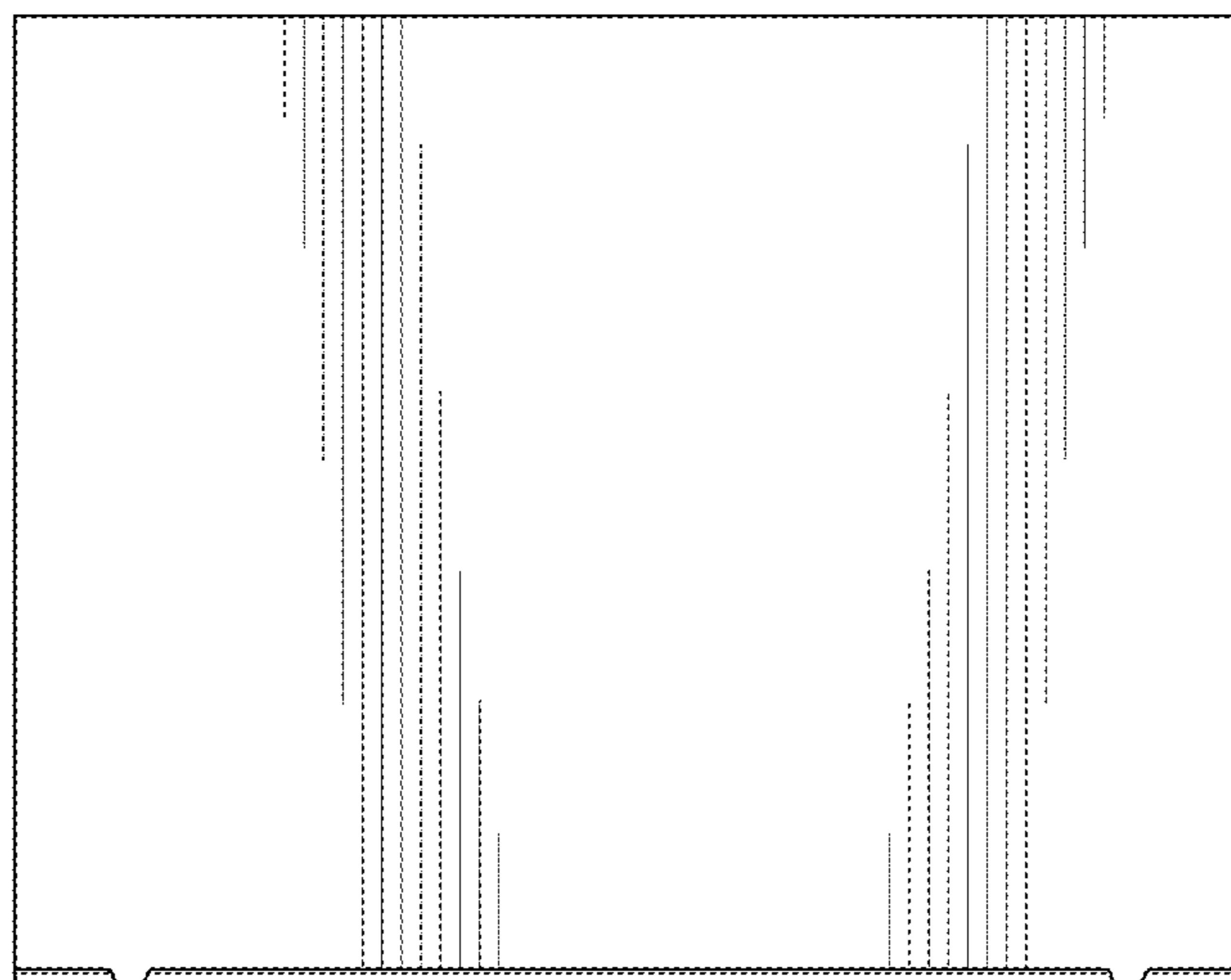


Fig. 5

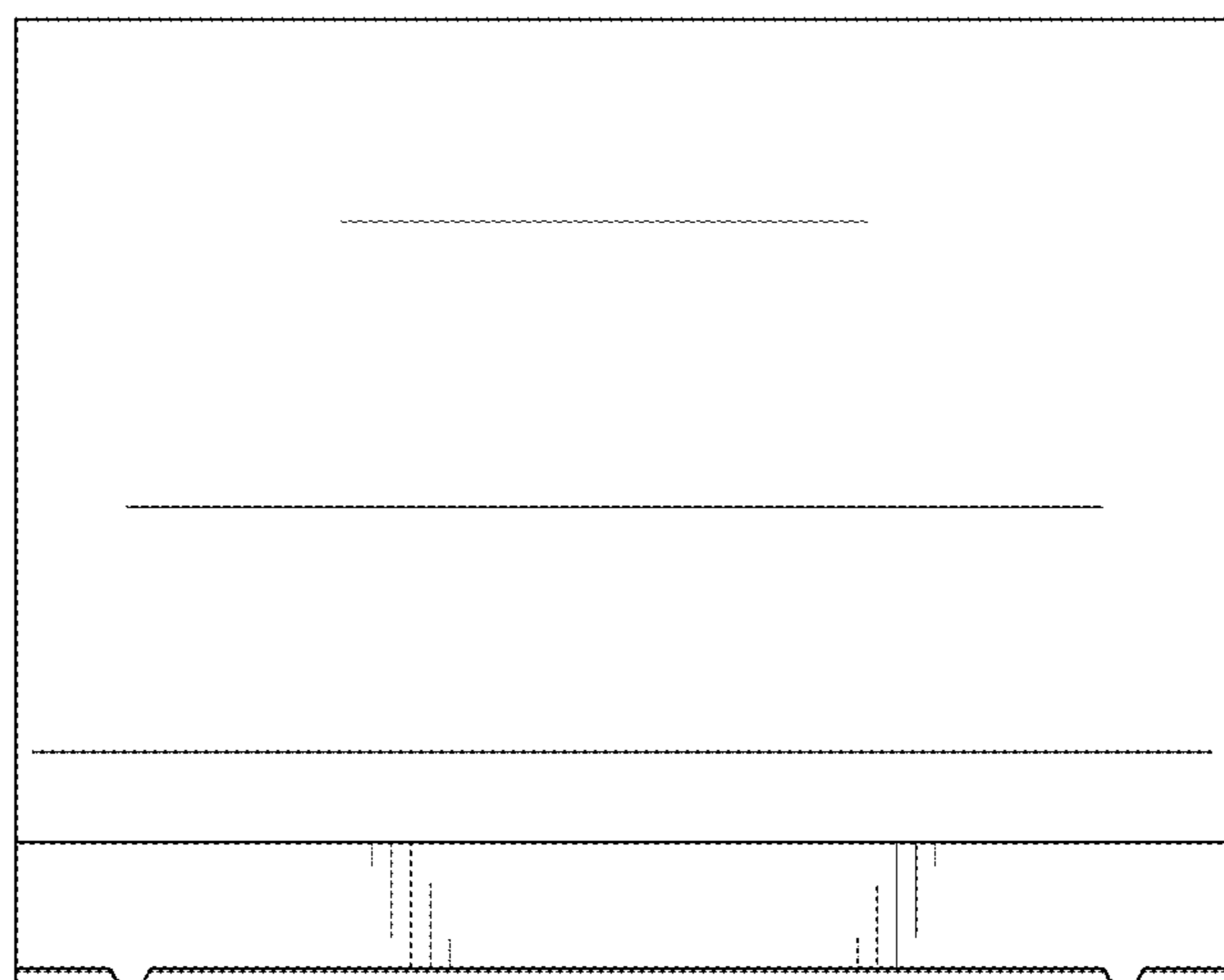


Fig. 6

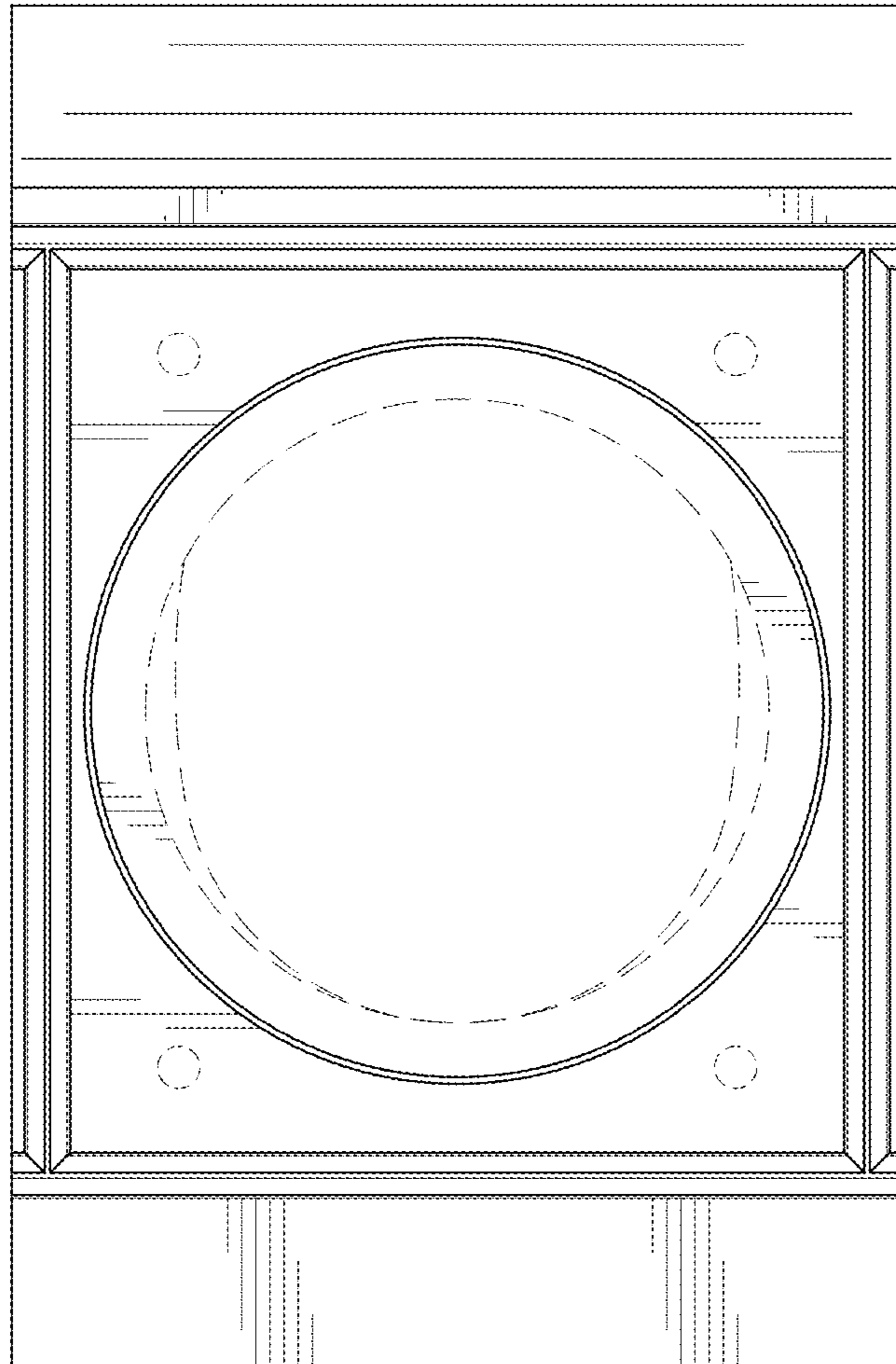


Fig. 7

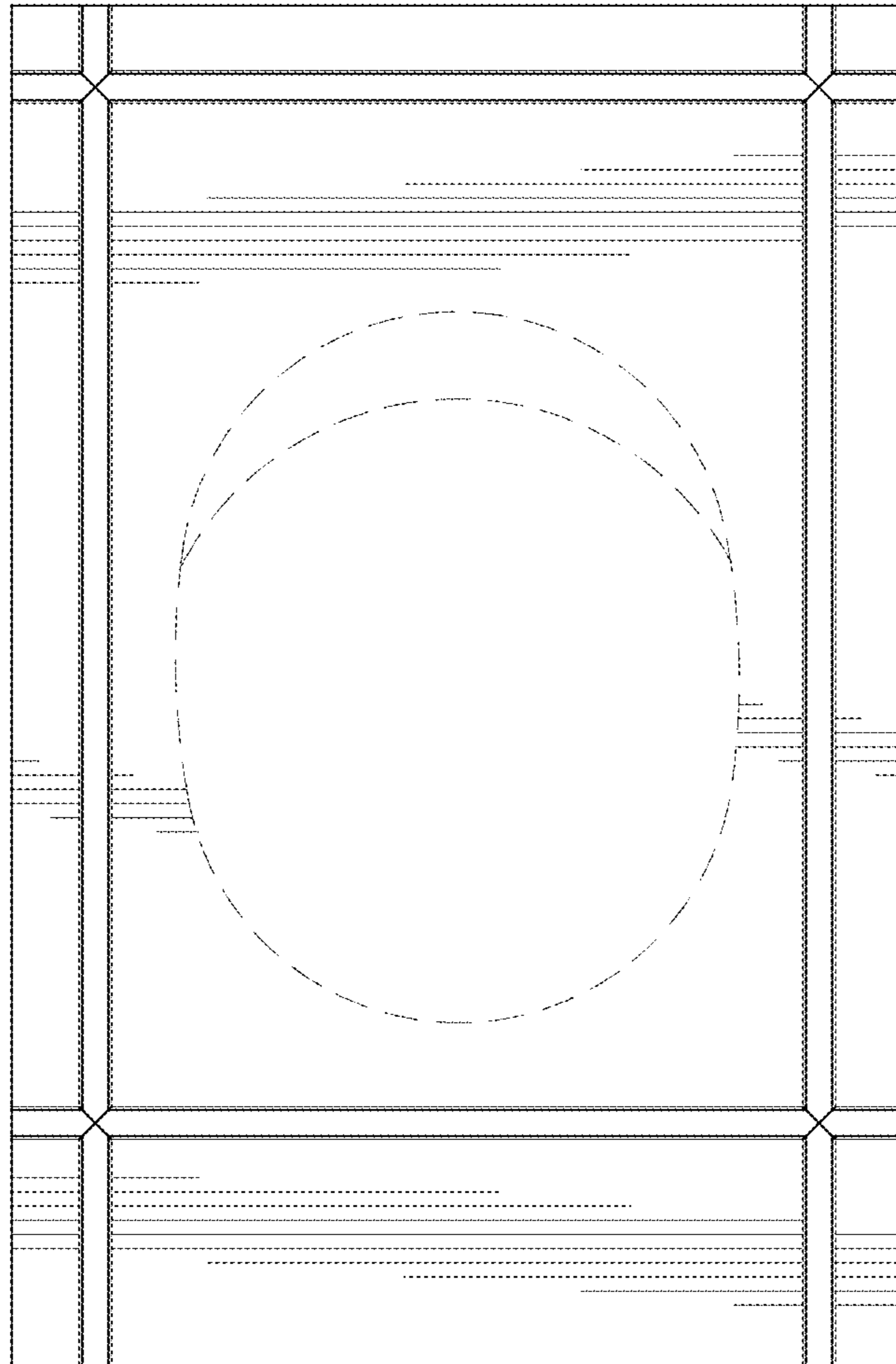


Fig. 8

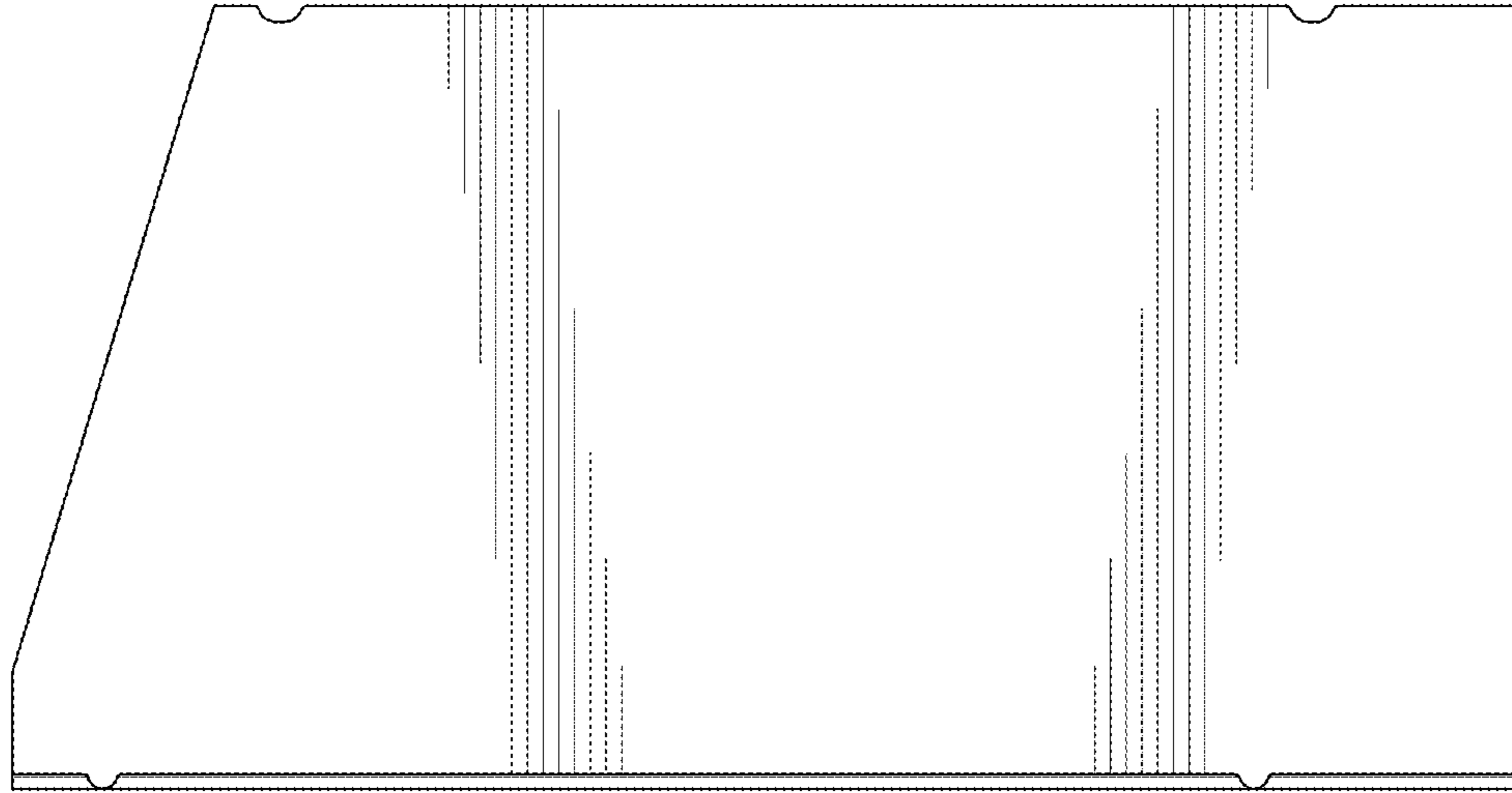


Fig. 9

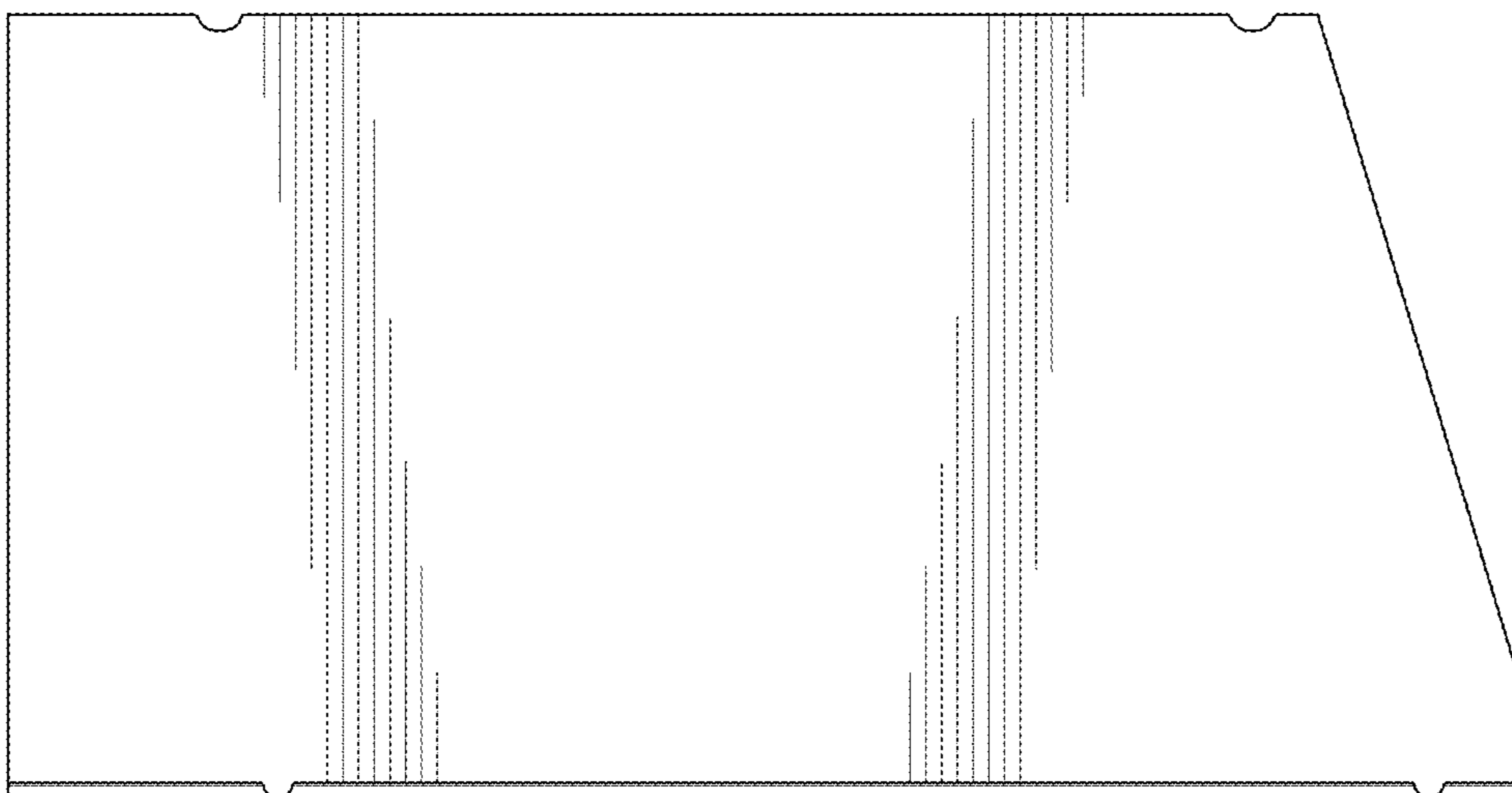


Fig. 10