

US00D928925S

(12) **United States Design Patent** (10) **Patent No.:** **US D928,925 S**  
**Lei** (45) **Date of Patent:** **\*\* Aug. 24, 2021**

(54) **QUICK HOSE CONNECTOR ASSEMBLY**

(71) Applicant: **Shi Ke Lei**, Guangdong (CN)

(72) Inventor: **Shi Ke Lei**, Guangdong (CN)

(\*\*) Term: **15 Years**

(21) Appl. No.: **29/675,105**

(22) Filed: **Dec. 28, 2018**

(51) **LOC (13) Cl.** ..... **23-01**

(52) **U.S. Cl.**

USPC ..... **D23/262**; D24/129

(58) **Field of Classification Search**

USPC ..... D23/259, 262–266, 213–214, 227–228,  
D23/249, 221–222; 285/130.1, 133.11,  
(Continued)

(56) **References Cited**

U.S. PATENT DOCUMENTS

3,537,730 A \* 11/1970 Kresin ..... F16L 37/113  
285/86

D300,361 S \* 3/1989 Tokarz ..... D24/129  
(Continued)

OTHER PUBLICATIONS

ISM 40AC Series—Acetal Quick Couplings; Internet Archive WayBack  
Machine Date Jul. 10, 2017, Visited Online Nov. 9, 2020; <https://web.archive.org/web/20170710200520/https://www.industrial-spec.com/shop/medical-component-products/medical-quick-disconnect-couplings/40ac-series-acetal-quick-couplings.html> (Year: 2017).\*

(Continued)

*Primary Examiner* — Amy C Wierenga

(57) **CLAIM**

The ornamental design for a quick hose connector assembly,  
as shown and described.

**DESCRIPTION**

FIG. 1 is a front view of a first part of a quick hose connector  
assembly shown disassembled;

FIG. 2 is a back view of the first part thereof shown  
disassembled;

FIG. 3 is a left view of the first part thereof shown disassembled;

FIG. 4 is a right view of the first part thereof shown disassembled;

FIG. 5 is a top view of the first part thereof shown disassembled;

FIG. 6 is a bottom view of the first part thereof shown disassembled;

FIG. 7 is a perspective view of the first part thereof, shown disassembled;

FIG. 8 is a front view of a second part of the quick hose connector assembly shown disassembled;

FIG. 9 is a back view of the second part thereof shown disassembled;

FIG. 10 is a left view of the second part thereof shown disassembled;

FIG. 11 is a right view of the second part thereof shown disassembled;

FIG. 12 is a top view of the second part thereof shown disassembled;

FIG. 13 is a bottom view of the second part thereof shown disassembled;

FIG. 14 is a perspective view of the second part thereof shown disassembled;

FIG. 15 is a front view of the quick hose connector assembly shown assembled, showing my new design;

FIG. 16 is a back view of the quick hose connector assembly, shown assembled;

FIG. 17 is a left view of the quick hose connector assembly, shown assembled;

FIG. 18 is a right view of the quick hose connector assembly, shown assembled;

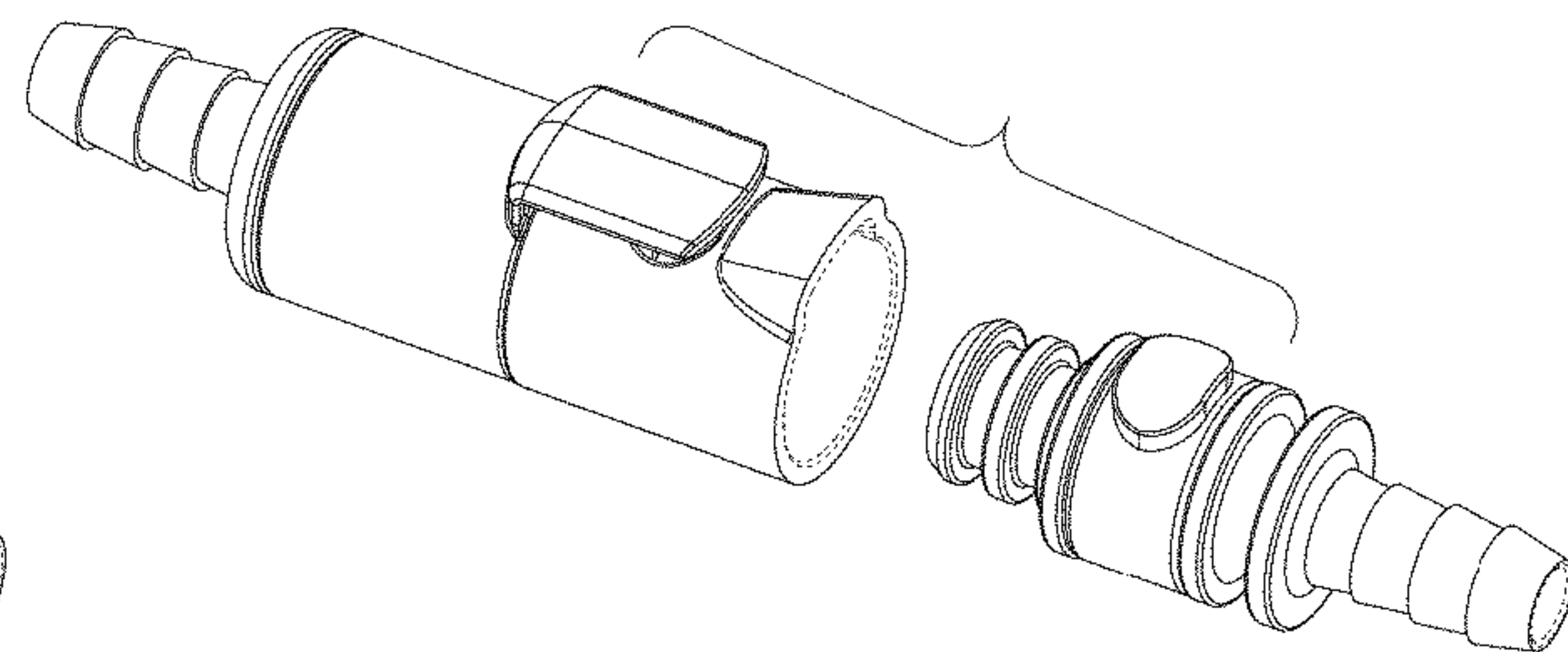
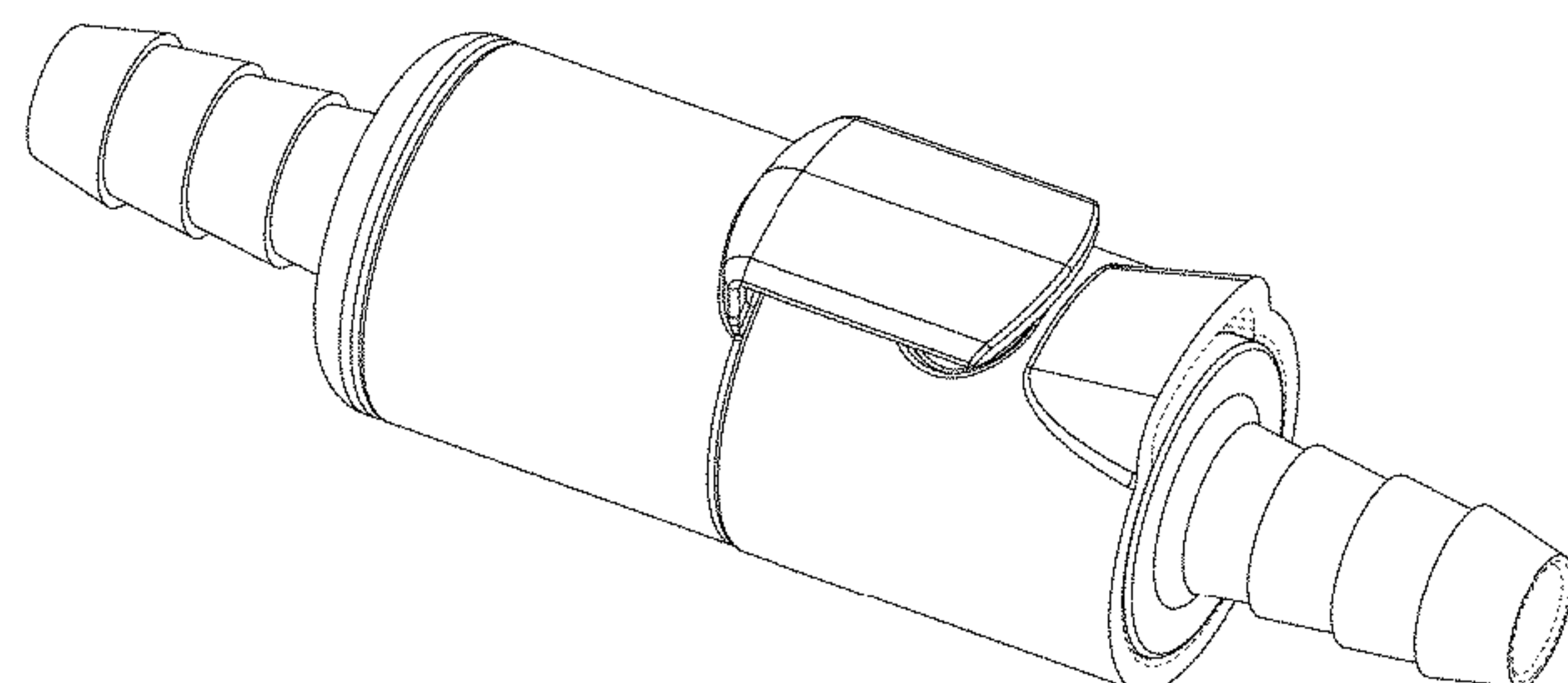
FIG. 19 is a top view of the quick hose connector assembly, shown assembled;

FIG. 20 is a bottom view of the quick hose connector assembly, shown assembled;

FIG. 21 is a perspective view of the quick hose connector assembly, shown assembled; and,

FIG. 22 is a perspective view of the first and second parts of the quick hose connector assembly to be assembled together and shown disassembled.

(Continued)



The broke lines illustrate portions of the quick hose connector assembly that form no part of the claimed design.

**1 Claim, 22 Drawing Sheets**

**(58) Field of Classification Search**

USPC ..... 285/123.15, 294.1, 294.4, 15–16, 45, 285/48–50, 53, 148.19, 148.21, 148.22, 285/235; D24/129, 112–113, 127; D13/155; 138/96 R, 109–110, 118–118.1, 138/125, 128, 135, 155–156, 167, 169, 138/177; 251/146–152; D8/303  
 CPC ... F16L 25/0027; F16L 3/1075; F16L 3/1091; F16L 58/184  
 See application file for complete search history.

**(56) References Cited**

U.S. PATENT DOCUMENTS

D327,314 S \* 6/1992 Hayes ..... D23/262  
 5,496,074 A \* 3/1996 Viratelle ..... F16L 37/0982  
 285/45

D508,980 S \* 8/2005 Bigelow ..... D23/262  
 D520,123 S \* 5/2006 Kitagawa ..... D23/262  
 D546,946 S \* 7/2007 Blake ..... D24/129  
 D639,398 S \* 6/2011 Wilhelm ..... D23/262  
 D702,343 S \* 4/2014 Dale ..... D24/129  
 2003/0067162 A1 \* 4/2003 Welsh ..... B29C 45/1459  
 285/305  
 2007/0278786 A1 \* 12/2007 Mezhinsky ..... F16L 37/252  
 285/39  
 2012/0291880 A1 \* 11/2012 Eckardt ..... F16L 41/023  
 137/341  
 2019/0024834 A1 \* 1/2019 Mao ..... F16L 37/0985

OTHER PUBLICATIONS

40AC Series—Acetal Quick Couplings, p. 3; Internet Archive Wayback Machine Date Jul. 10, 2017; Visited online Nov. 9, 2020; <https://web.archive.org/industrialspec.com/shop/medical-component-products/medical-quick-disconnect-couplings/40ac-series-acetal-quick-couplings.html> (Year: 2017).\*

\* cited by examiner

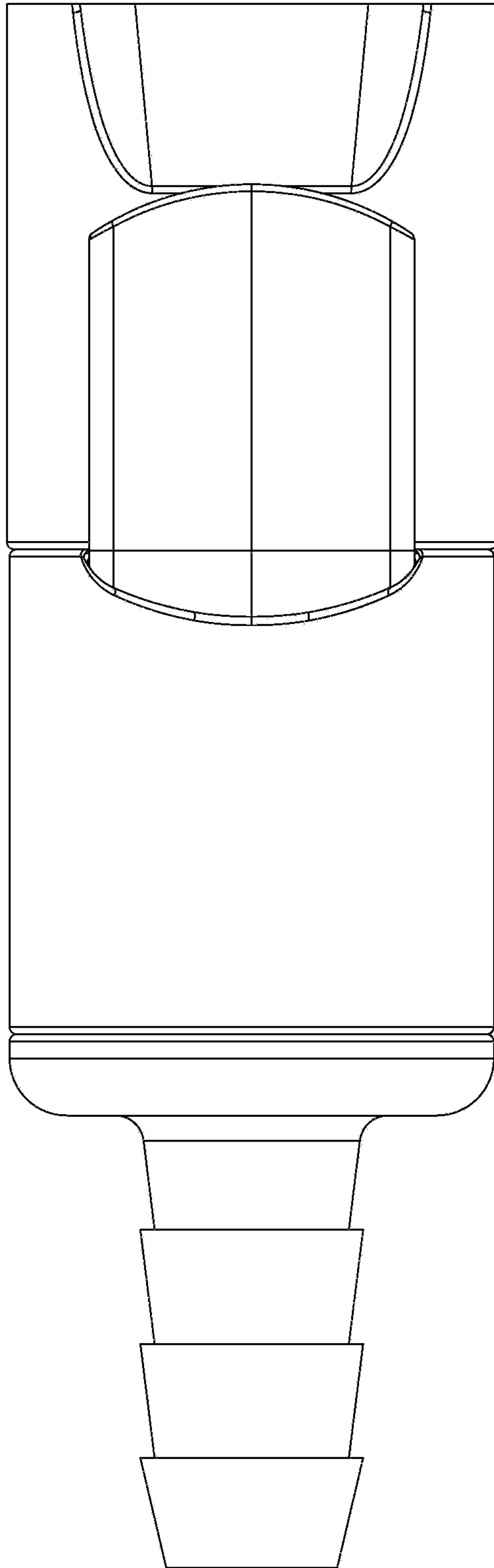


FIG. 1

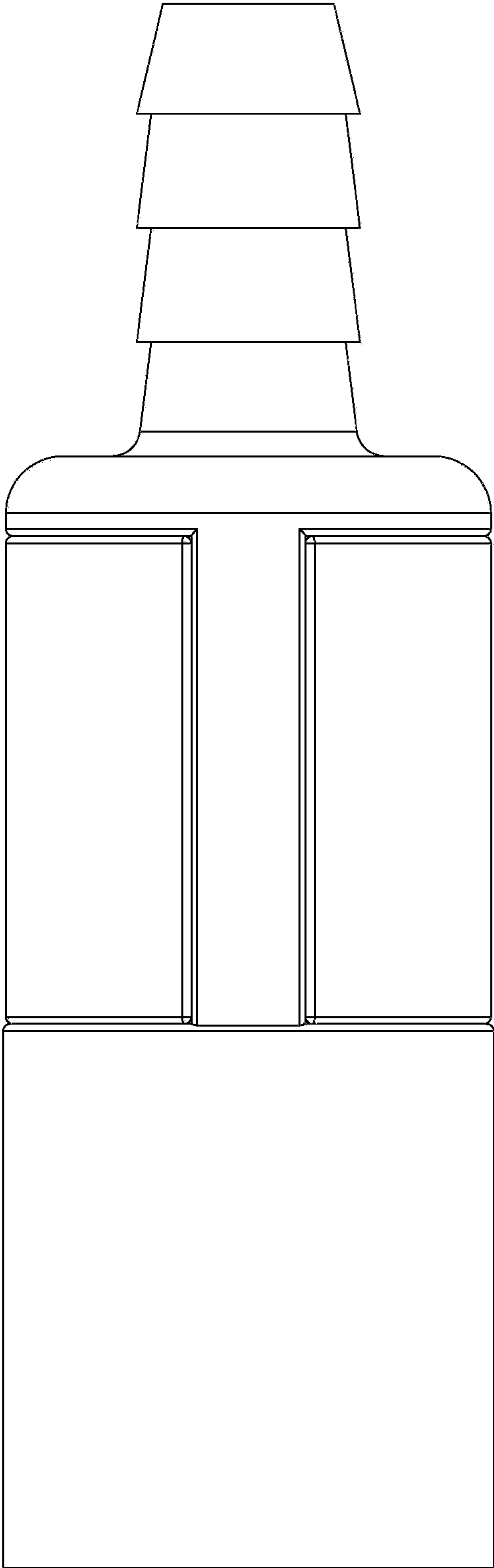


FIG. 2

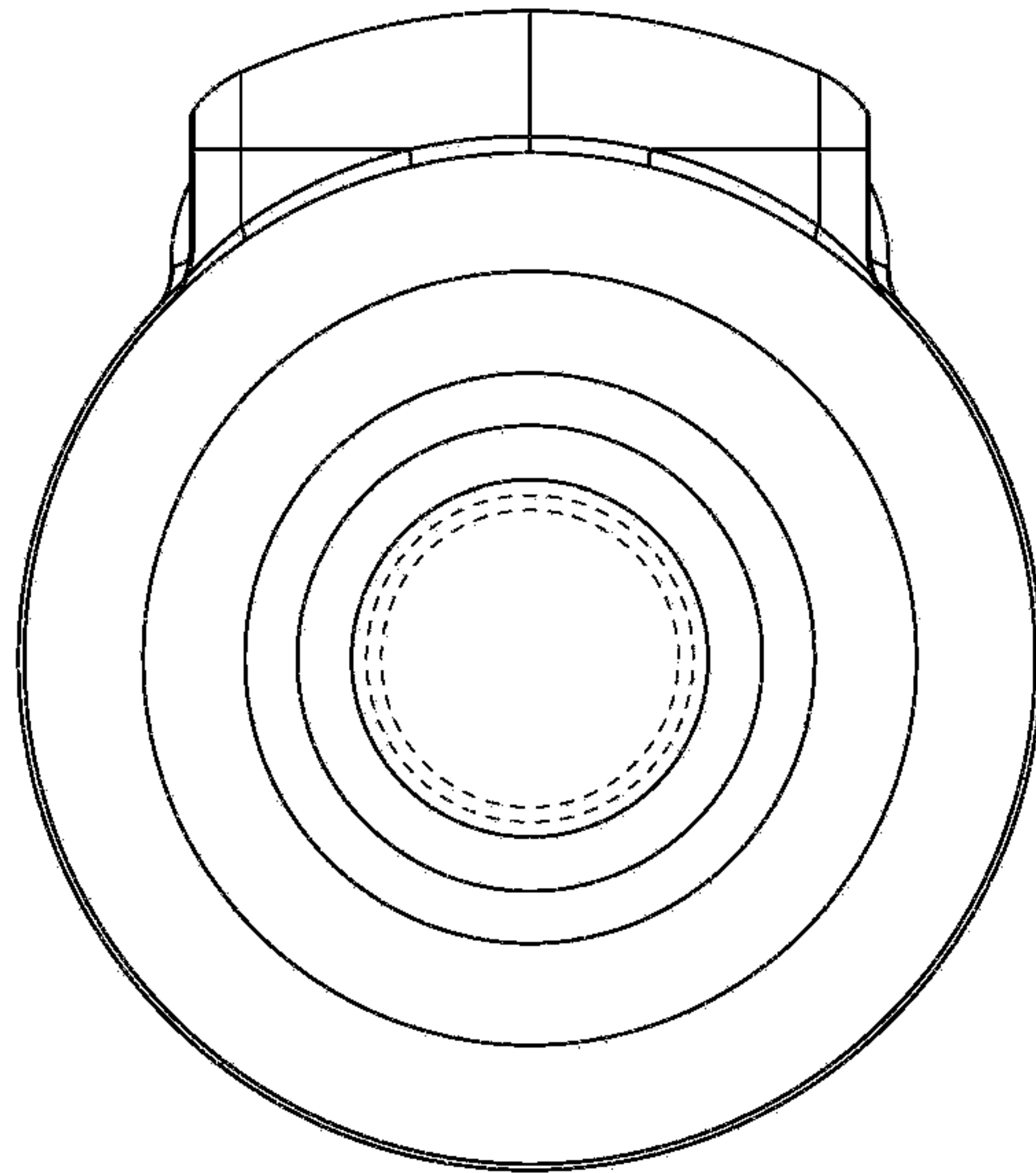


FIG. 3

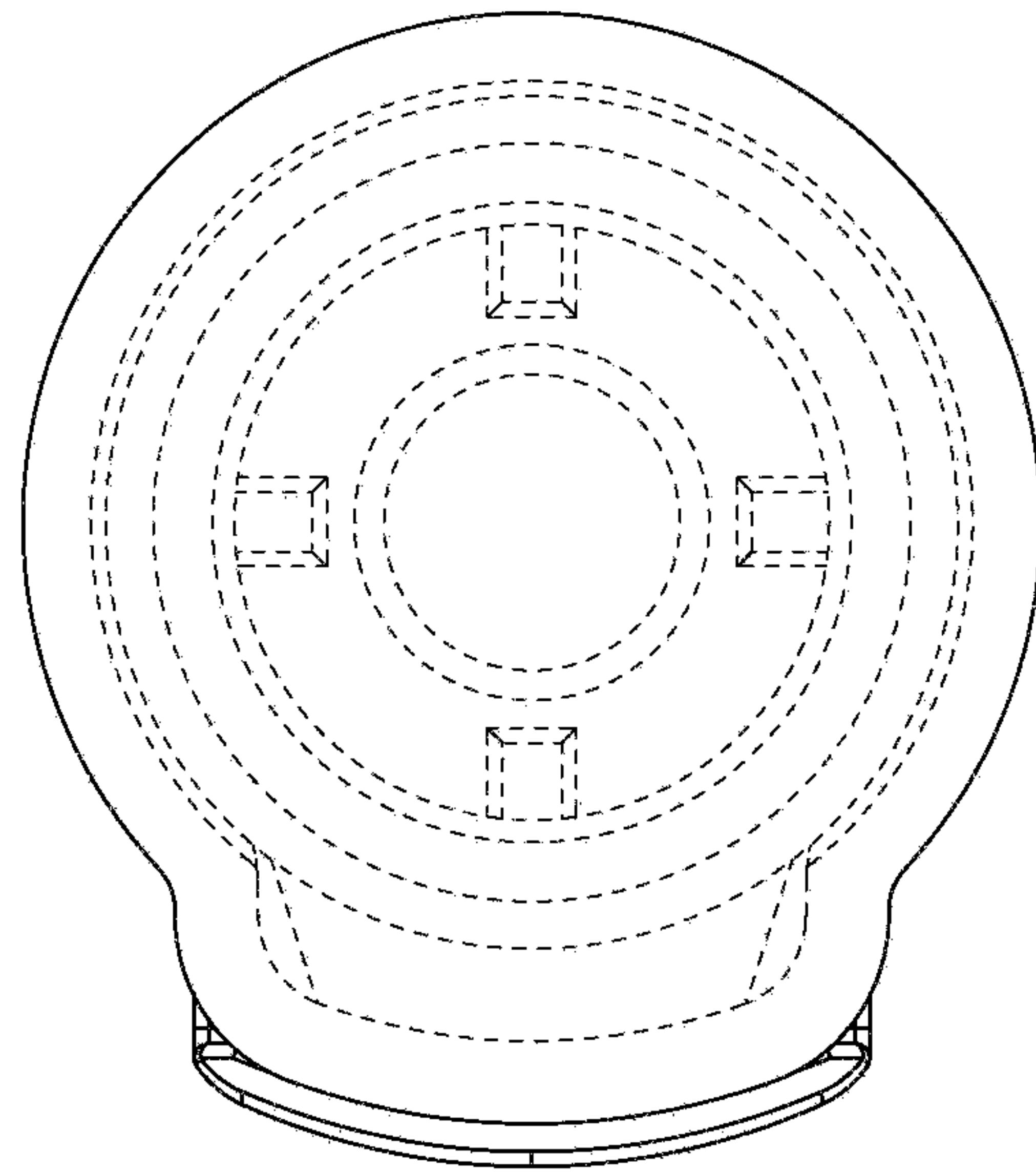


FIG. 4

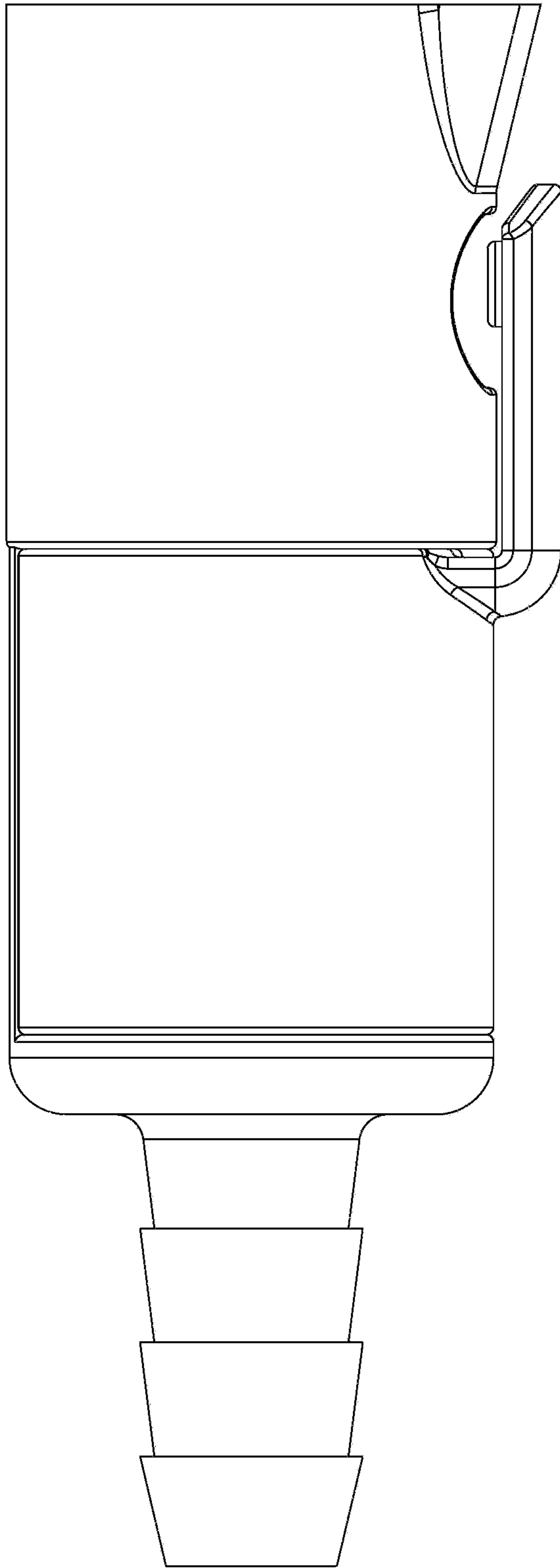


FIG. 5



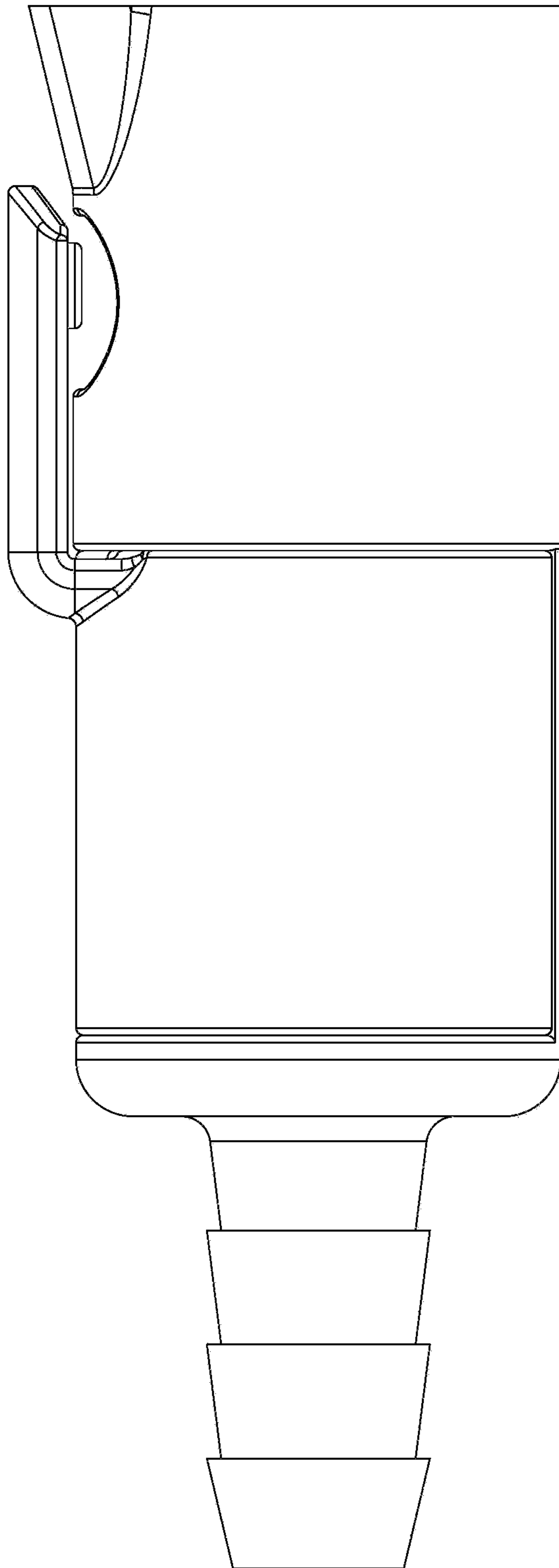


FIG. 6



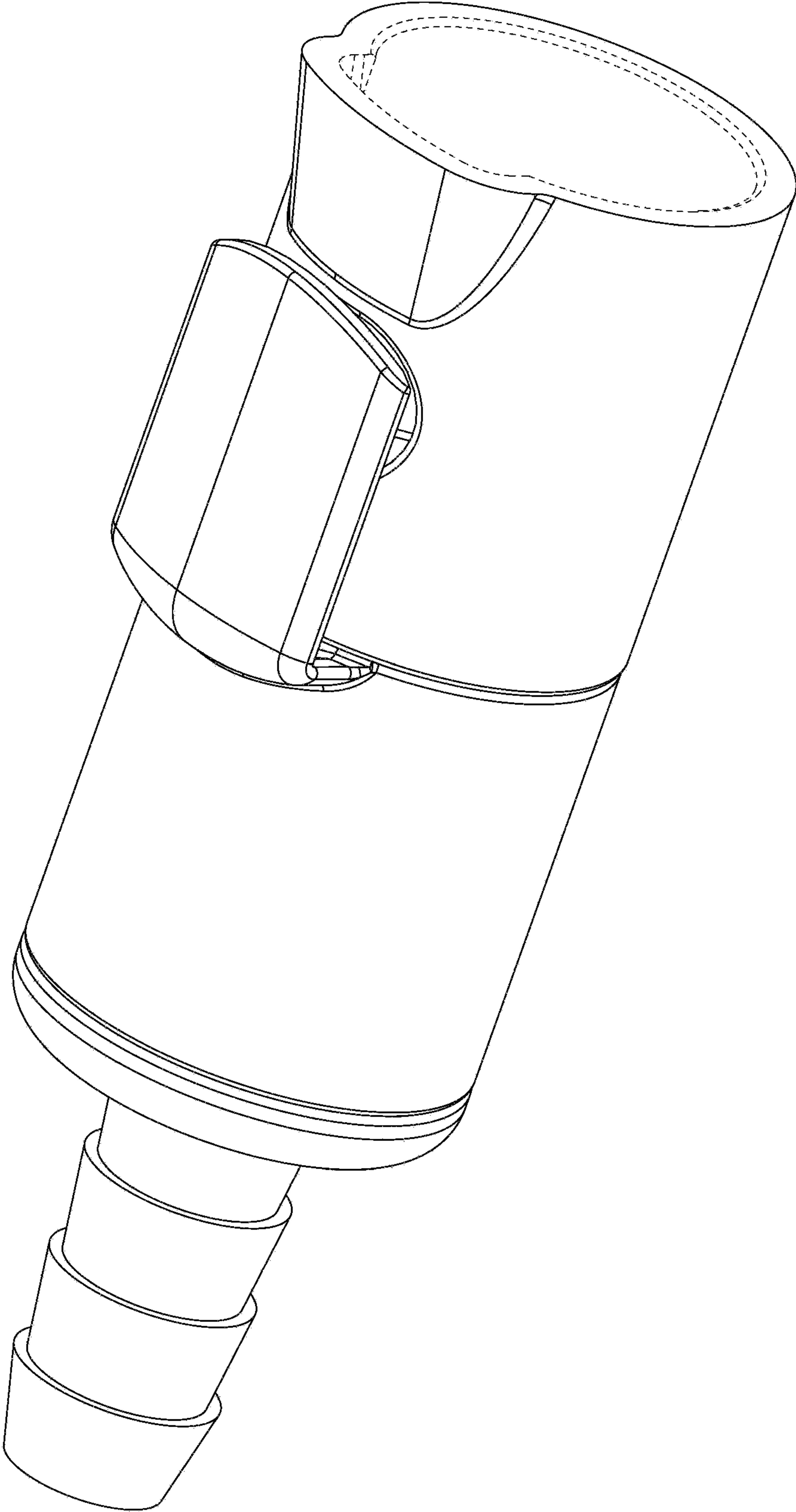


FIG. 7

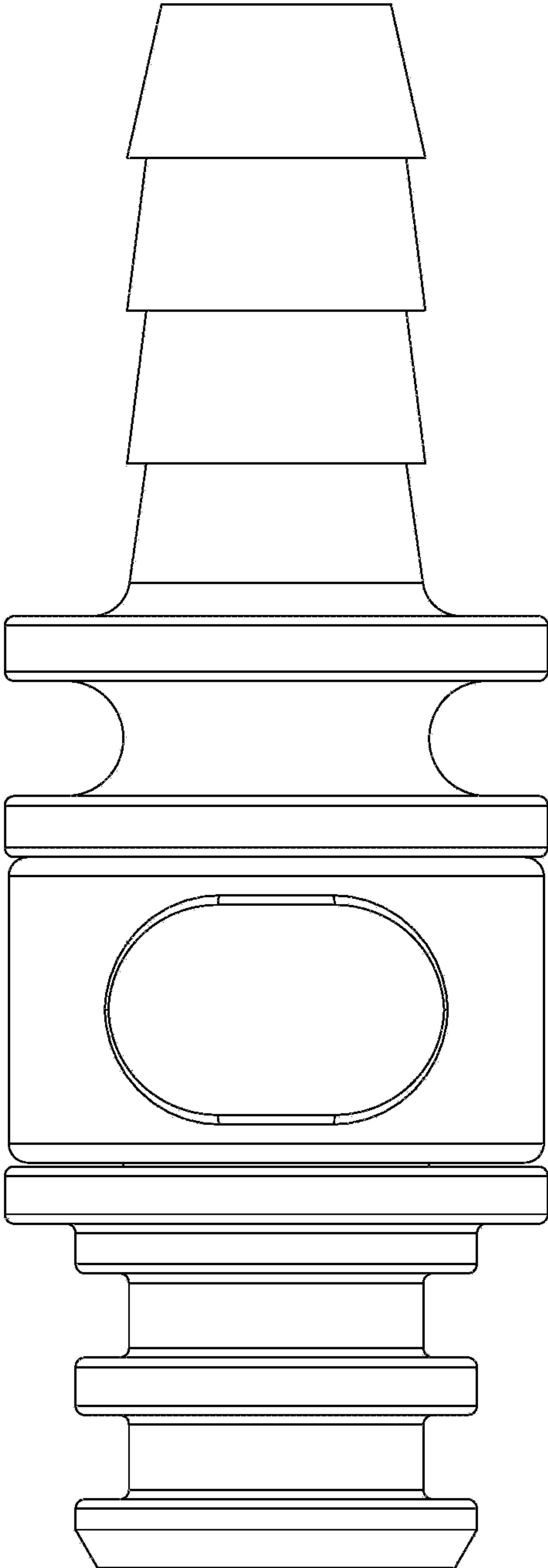


FIG. 8

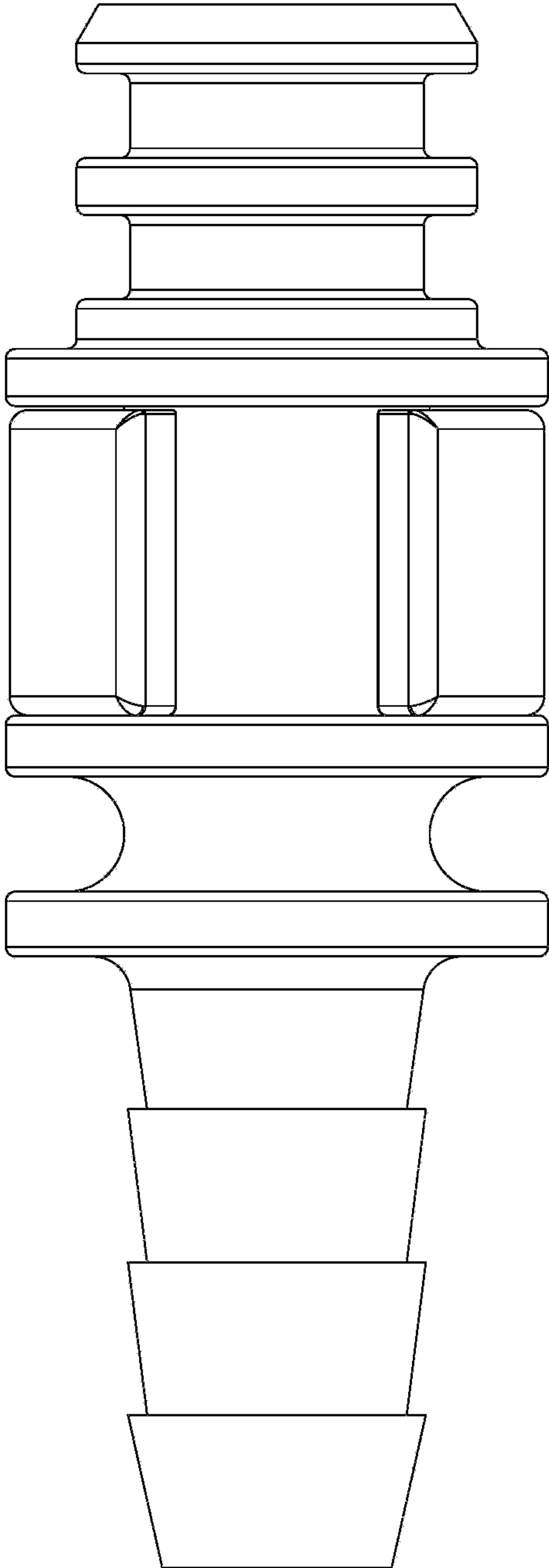


FIG. 9

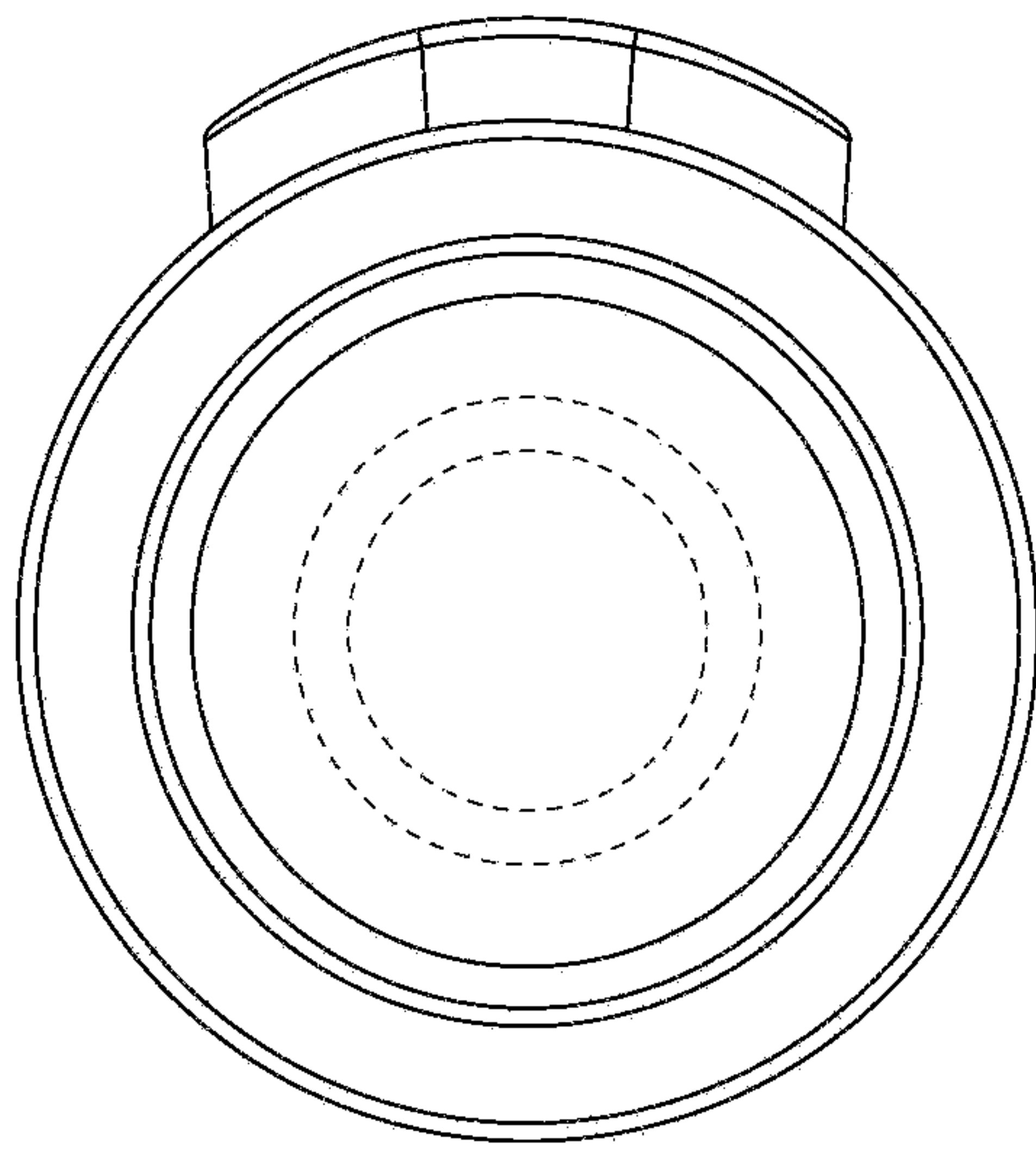


FIG. 10

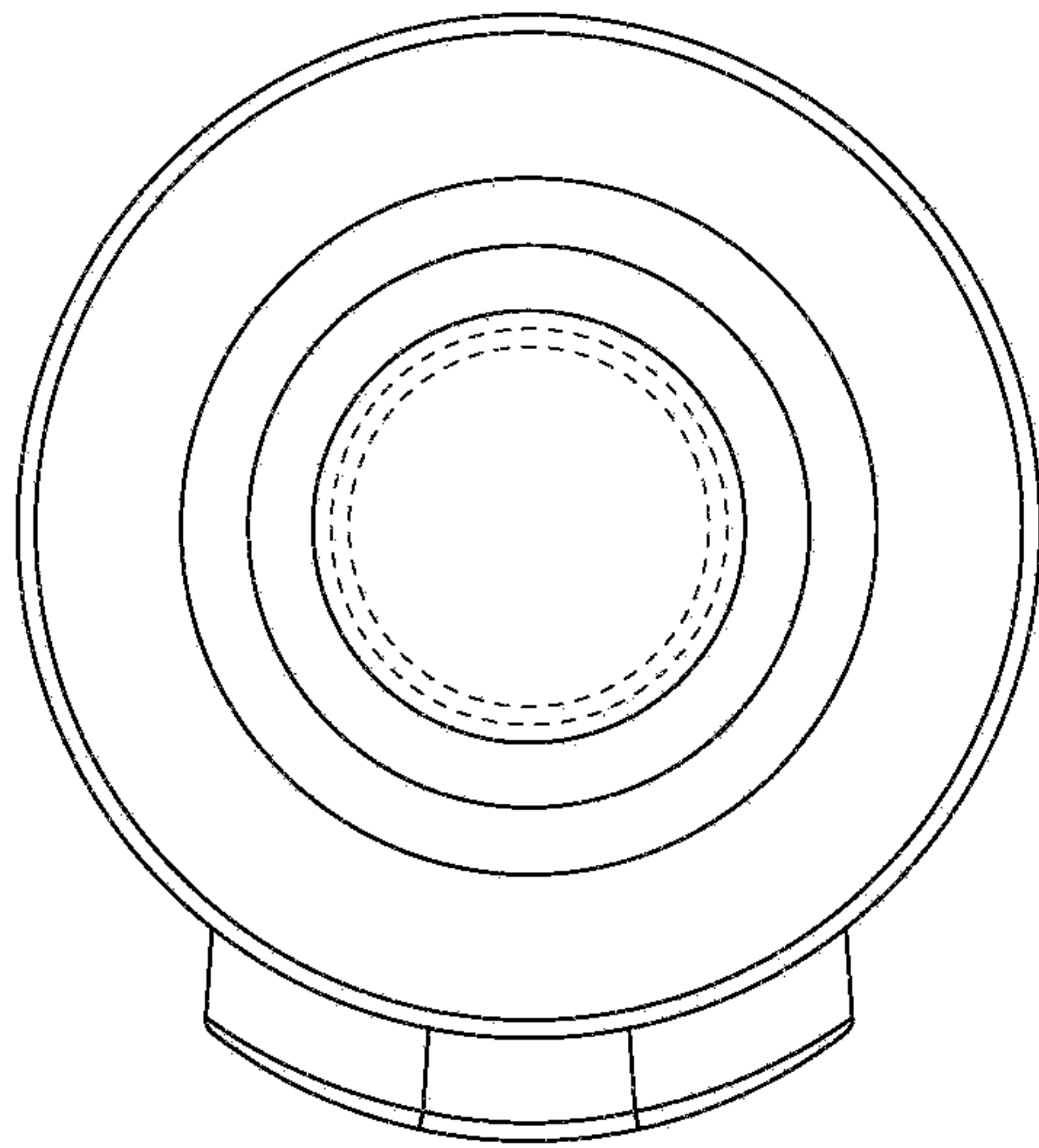


FIG. 11

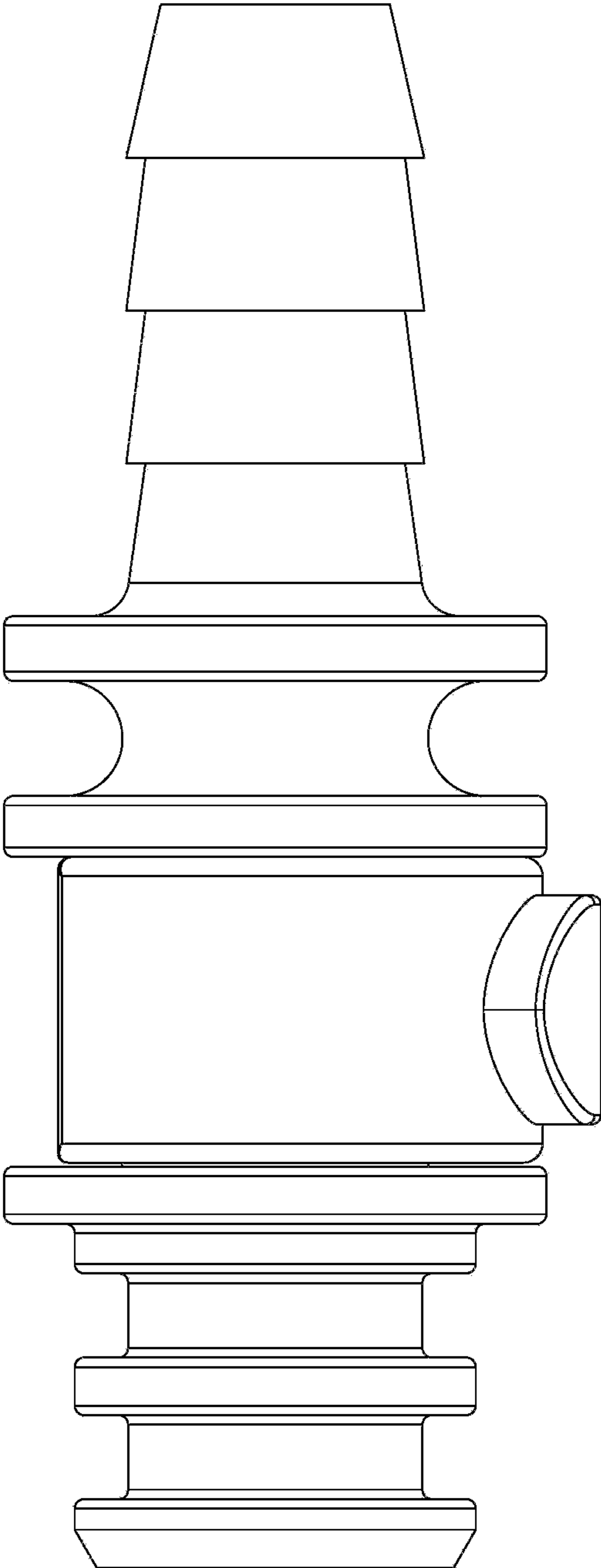


FIG. 12

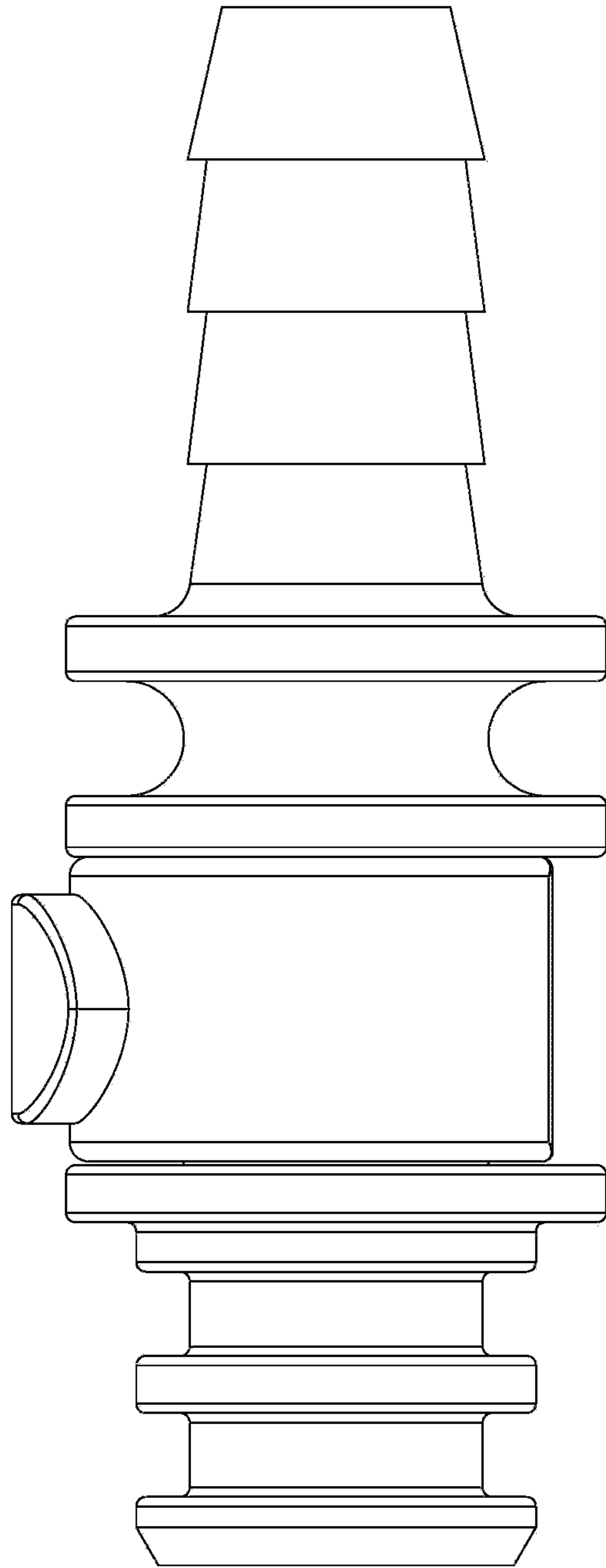


FIG. 13



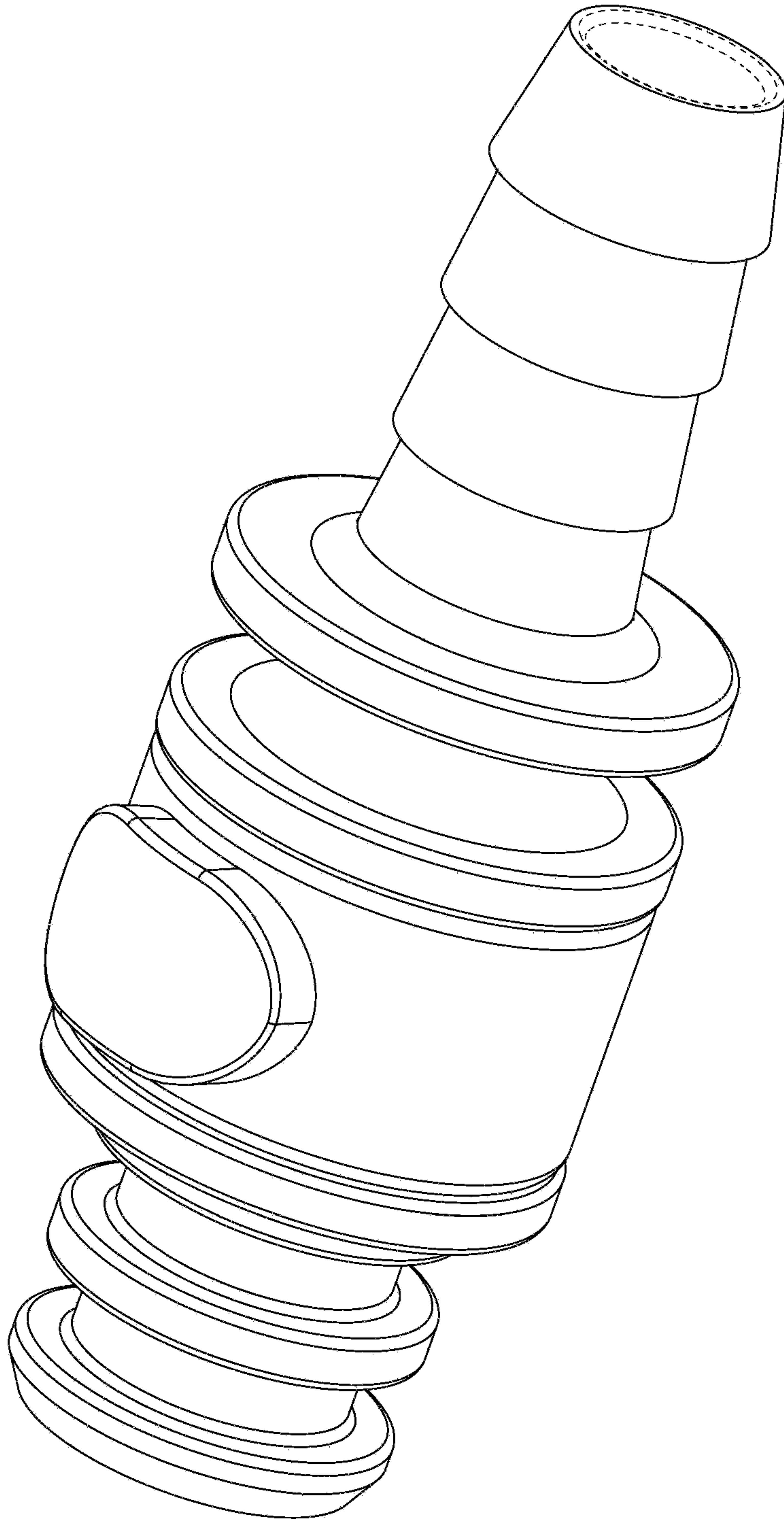


FIG. 14

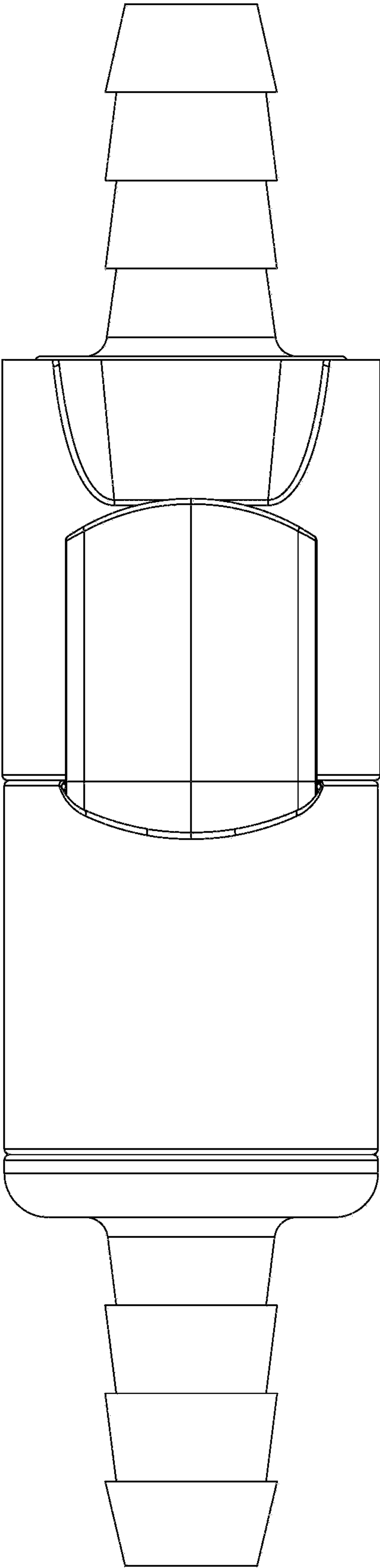


FIG. 15

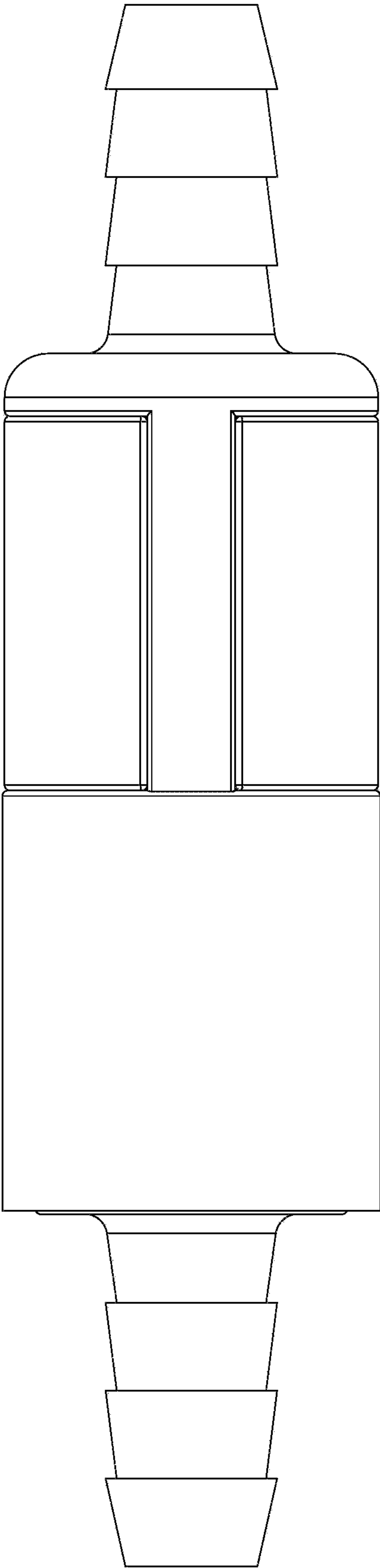


FIG. 16

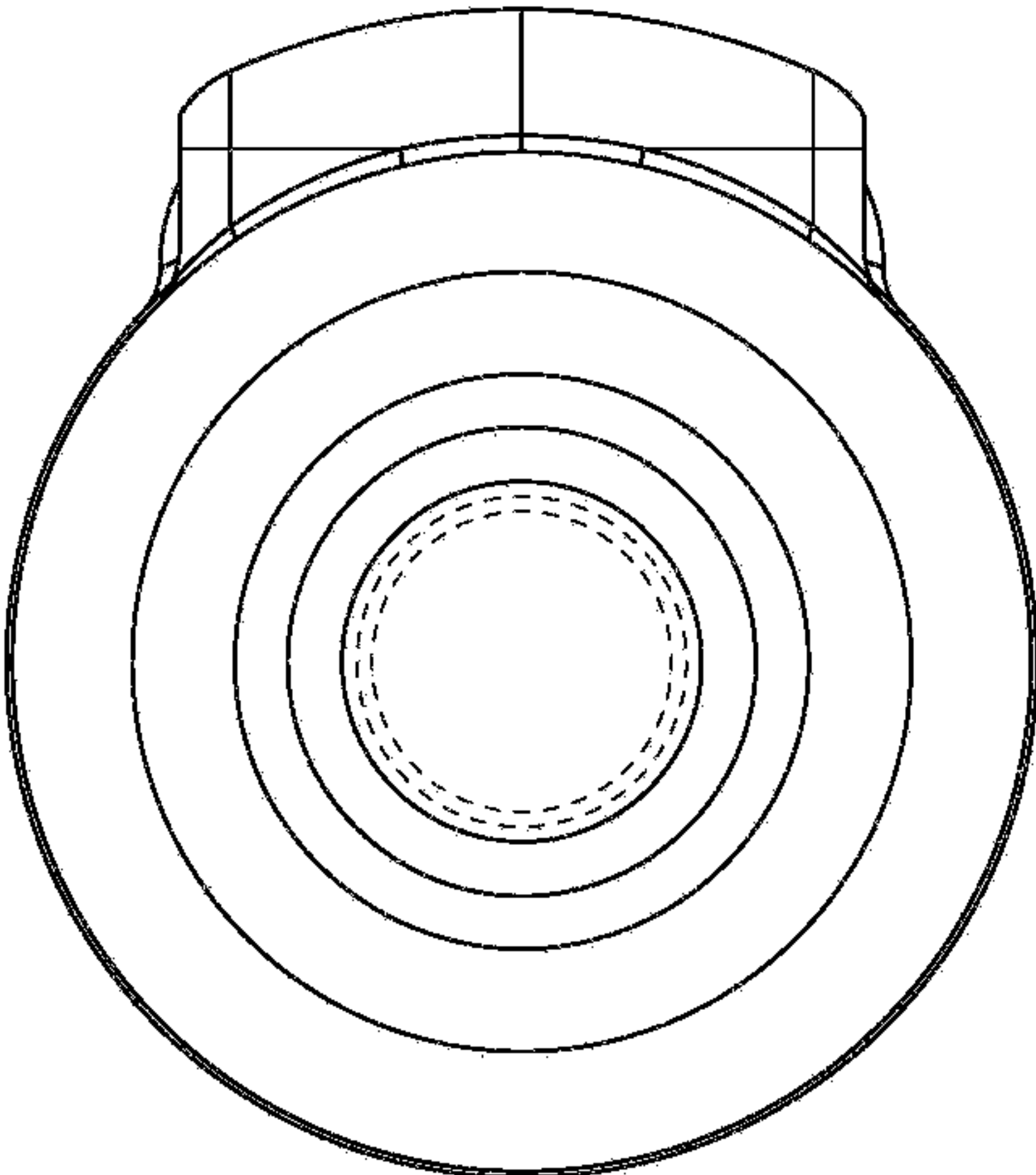


FIG. 17

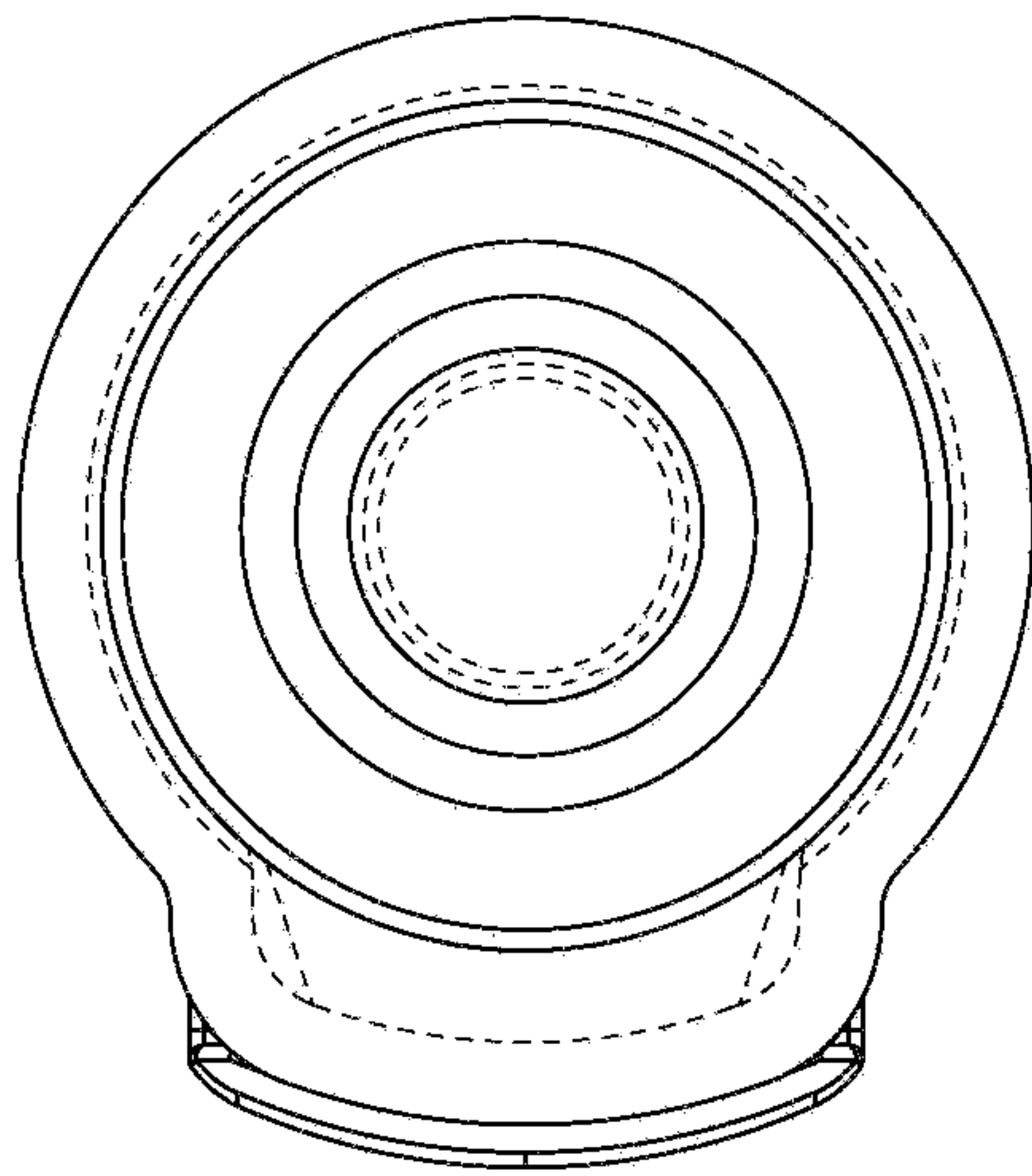


FIG. 18

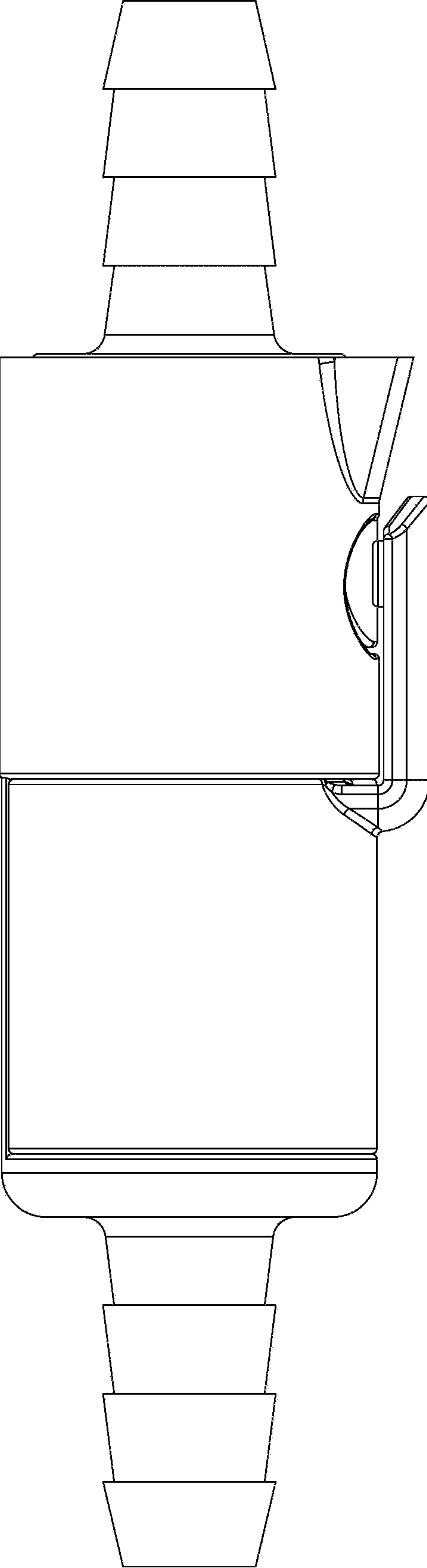


FIG. 19

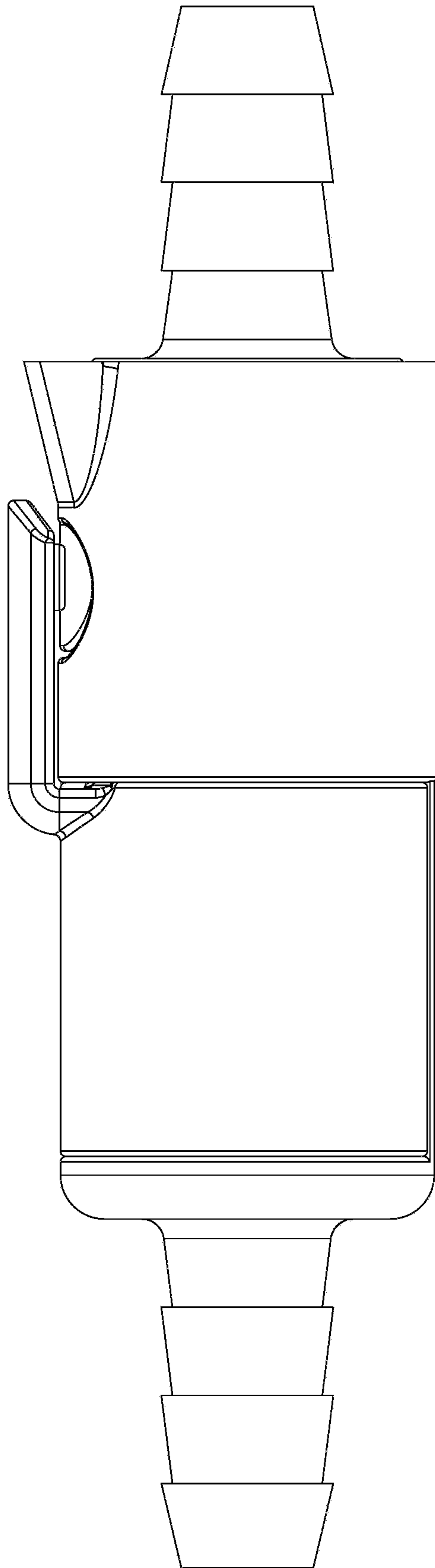


FIG. 20



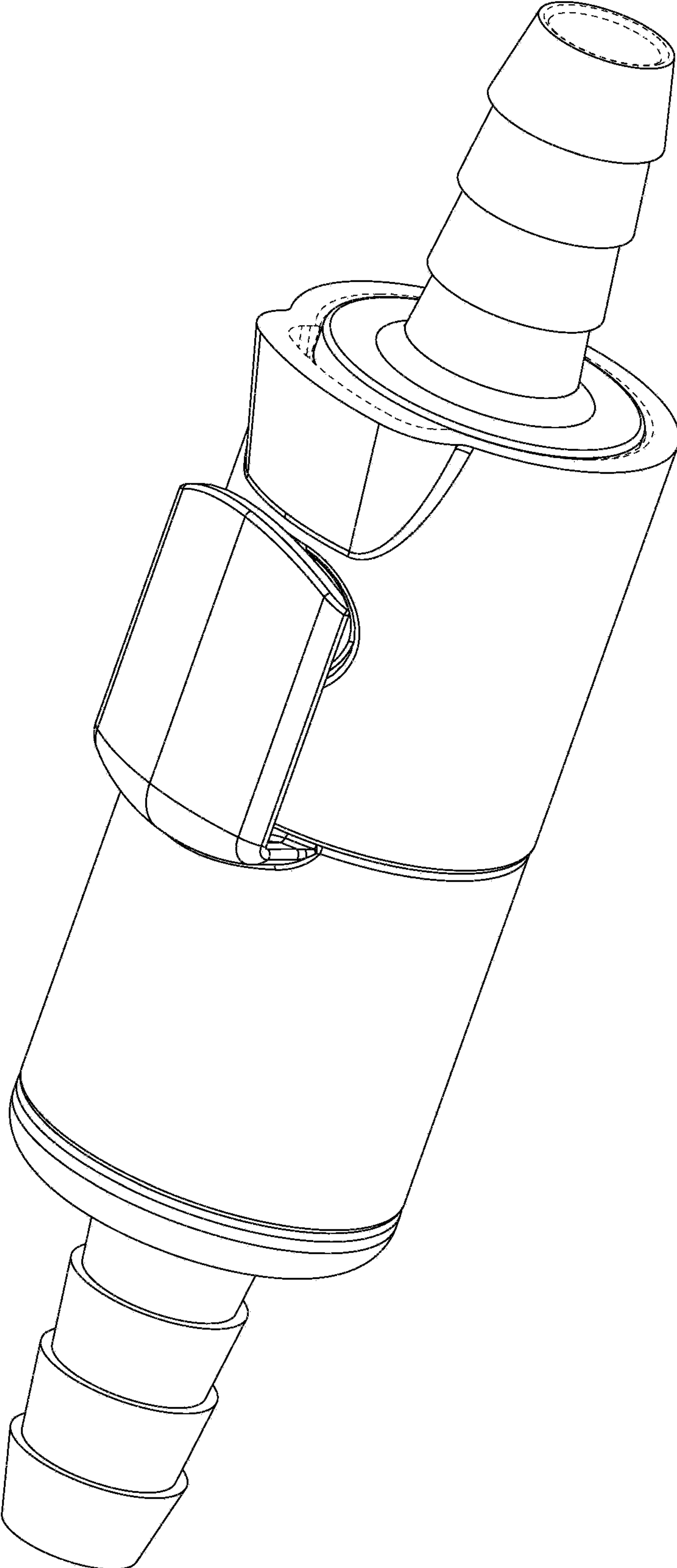


FIG. 21

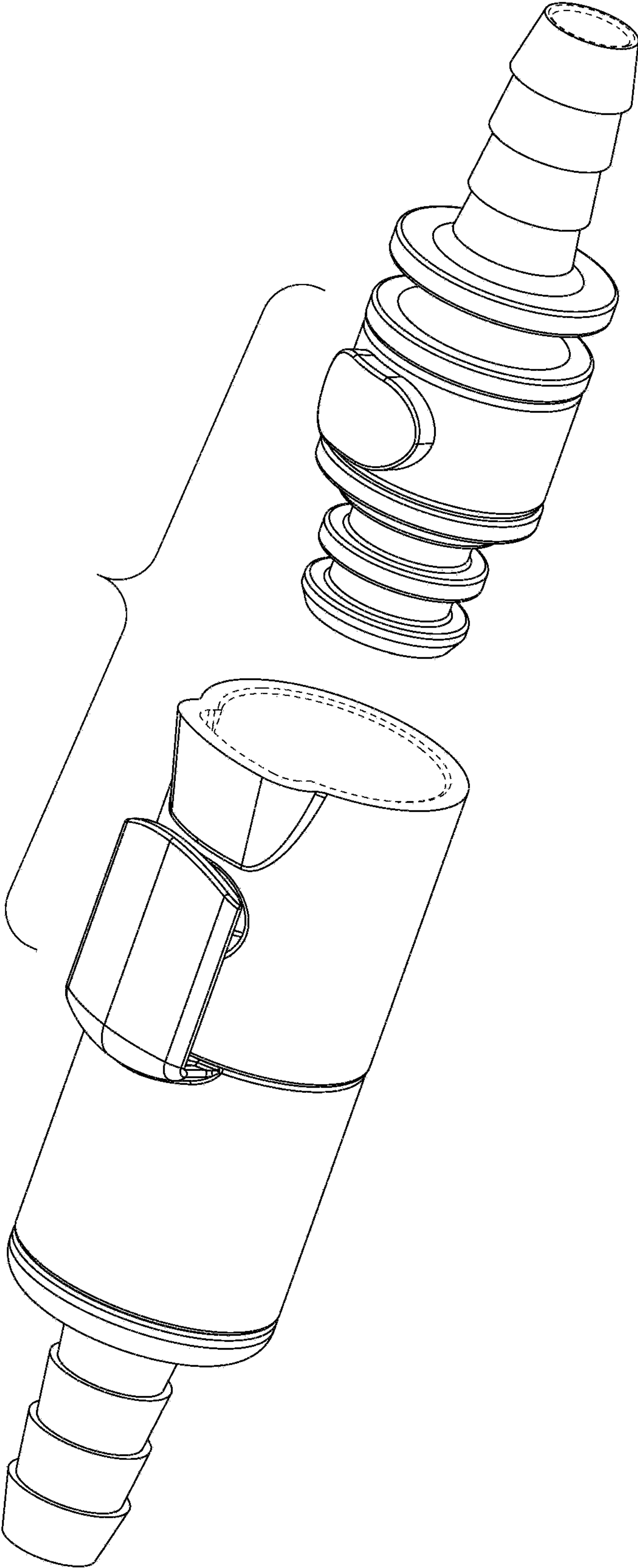


FIG. 22