



US00D928924S

(12) **United States Design Patent** (10) **Patent No.:** **US D928,924 S**  
**Mamaril** (45) **Date of Patent:** **\*\* Aug. 24, 2021**

(54) **FAUCET SPOUT**

FOREIGN PATENT DOCUMENTS

(71) Applicant: **DELTA FAUCET COMPANY,**  
Indianapolis, IN (US)

IN 306865-0001 \* 6/2018

(72) Inventor: **Justin Mamaril,** Columbus, OH (US)

OTHER PUBLICATIONS

(73) Assignee: **DELTA FAUCET COMPANY,**  
Indianapolis, IN (US)

Beelee bathroom faucet, first available May 6, 2017 [online], [site visited Mar. 24, 2021]. Available from internet, URL:< <https://www.amazon.com/Beelee-bathroom-faucet-vessel-single/dp/B0716969VC>> (Year: 2016).\*

(\*\*) Term: **15 Years**

\* cited by examiner

(21) Appl. No.: **29/725,251**

(22) Filed: **Feb. 24, 2020**

*Primary Examiner* — Barbara Fox

*Assistant Examiner* — Jamaal Rasheed

(51) **LOC (13) Cl.** ..... **23-01**

(74) *Attorney, Agent, or Firm* — Nirav D. Parikh; Edgar A. Zarins

(52) **U.S. Cl.**  
USPC ..... **D23/257**

(58) **Field of Classification Search**  
USPC ..... D23/238–244, 252, 254–255, 257  
CPC .... F16K 31/602; F16K 31/605; F16K 31/607;  
E03C 1/0412

(57) **CLAIM**

The ornamental design for a faucet spout, as shown and described.

See application file for complete search history.

(56) **References Cited**

**DESCRIPTION**

U.S. PATENT DOCUMENTS

D297,970 S *	10/1988	Paul	.....	D23/242
D303,565 S *	9/1989	Paul	.....	D23/242
D313,065 S *	12/1990	Strignano	.....	D23/242
D511,816 S *	11/2005	Kulig	.....	D23/238
D533,639 S *	12/2006	Hoernig	.....	D23/242
D541,380 S *	4/2007	Kikuchi	.....	D23/238
D573,231 S *	7/2008	Kulig	.....	D23/242
D602,570 S *	10/2009	Lammel	.....	D23/242
D621,478 S *	8/2010	Kulig	.....	D23/242
D657,026 S *	4/2012	Berger	.....	D23/255
D667,084 S *	9/2012	Berger	.....	D23/238
D898,872 S *	10/2020	Massaud	.....	D23/242
2019/0264825 A1 *	8/2019	Rosko	.....	F16K 19/006

FIG. 1 is a front perspective view of a faucet spout showing my new design;

FIG. 2 is a rear perspective view thereof;

FIG. 3 is a front elevational view thereof;

FIG. 4 is a left side view thereof;

FIG. 5 is a rear view thereof;

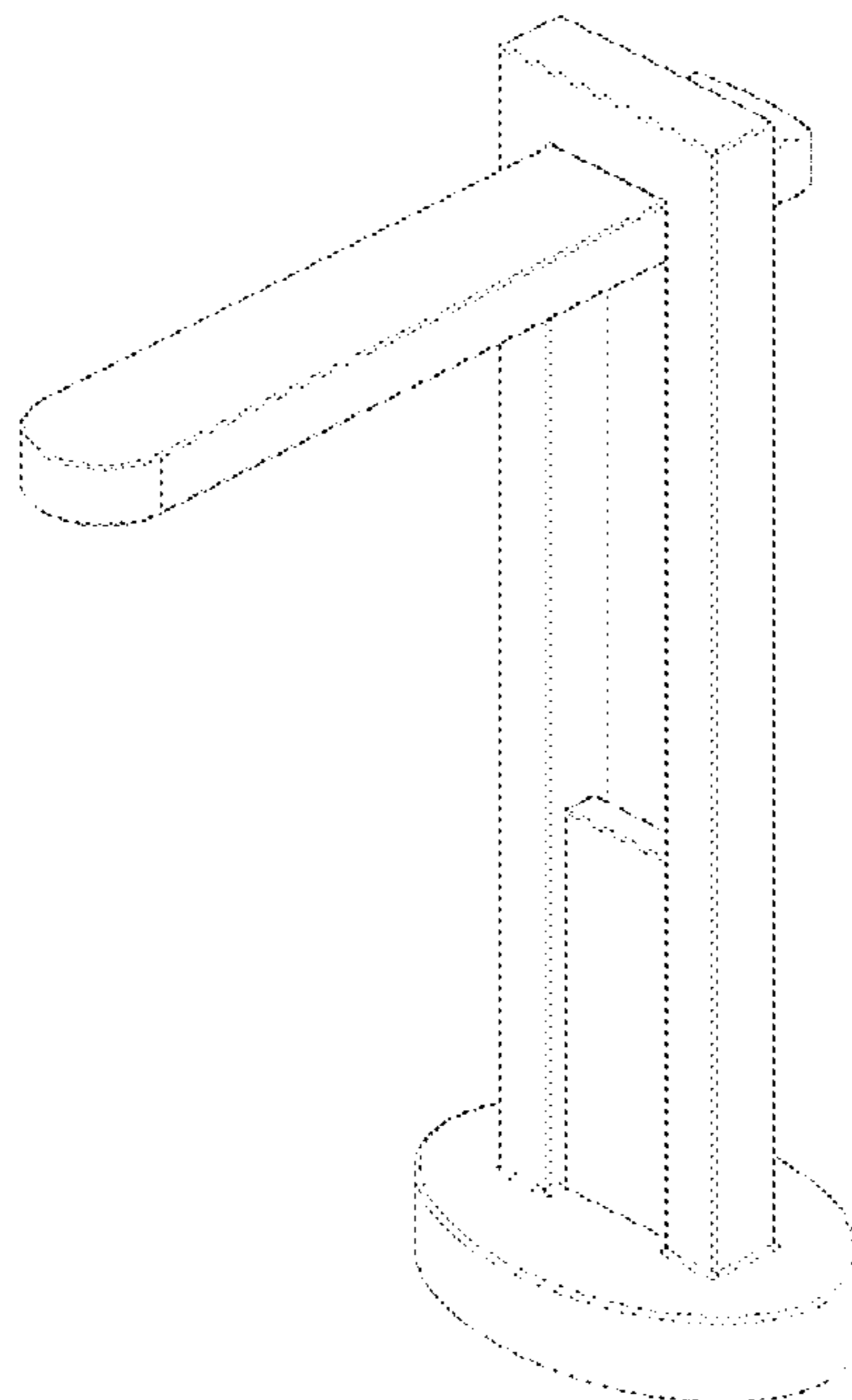
FIG. 6 is a right side view thereof;

FIG. 7 is a top plan view thereof; and,

FIG. 8 is a bottom view thereof.

The broken lines shown in the figures depict portions of the faucet spout that form no part of the claimed design.

**1 Claim, 4 Drawing Sheets**



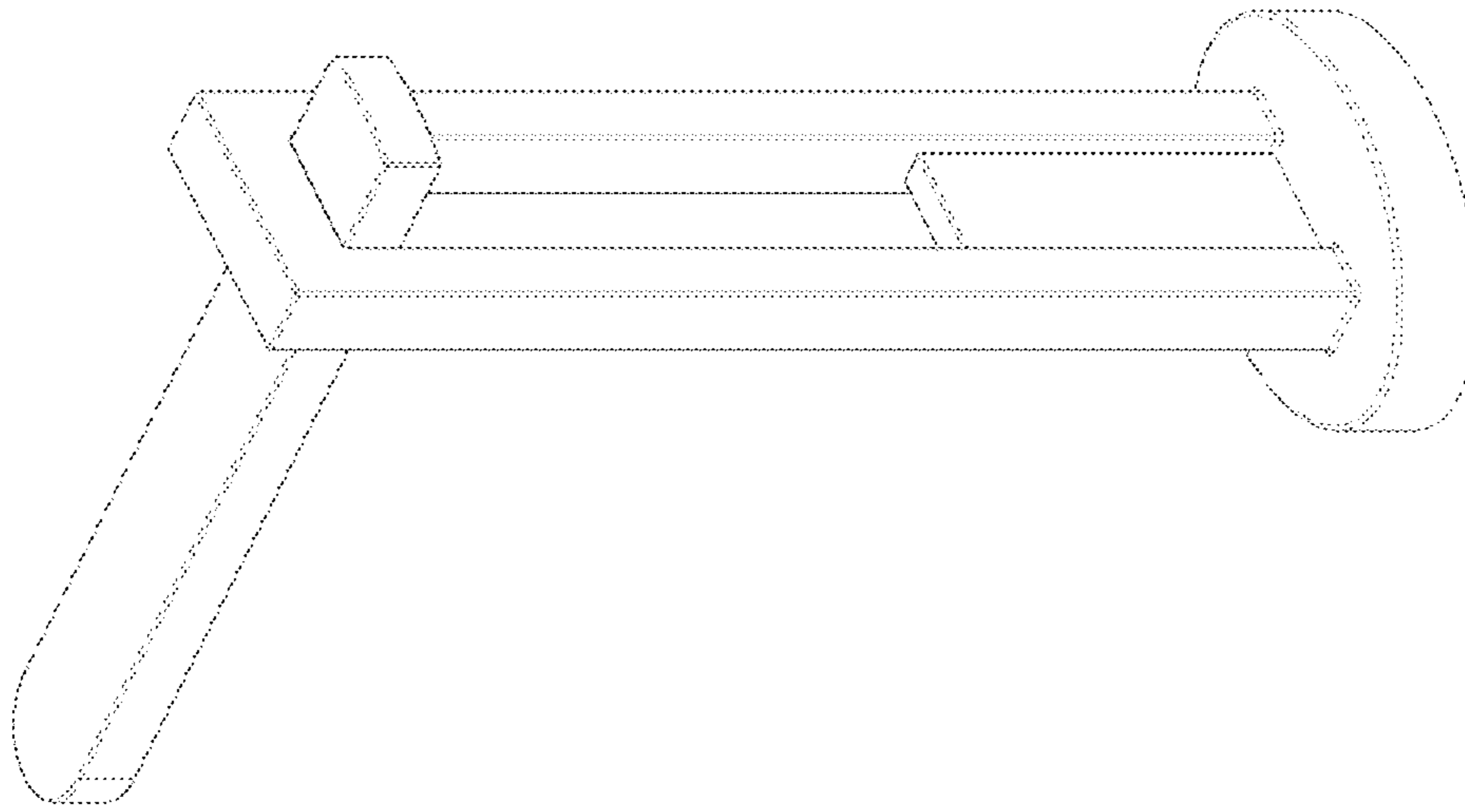


FIG. 2

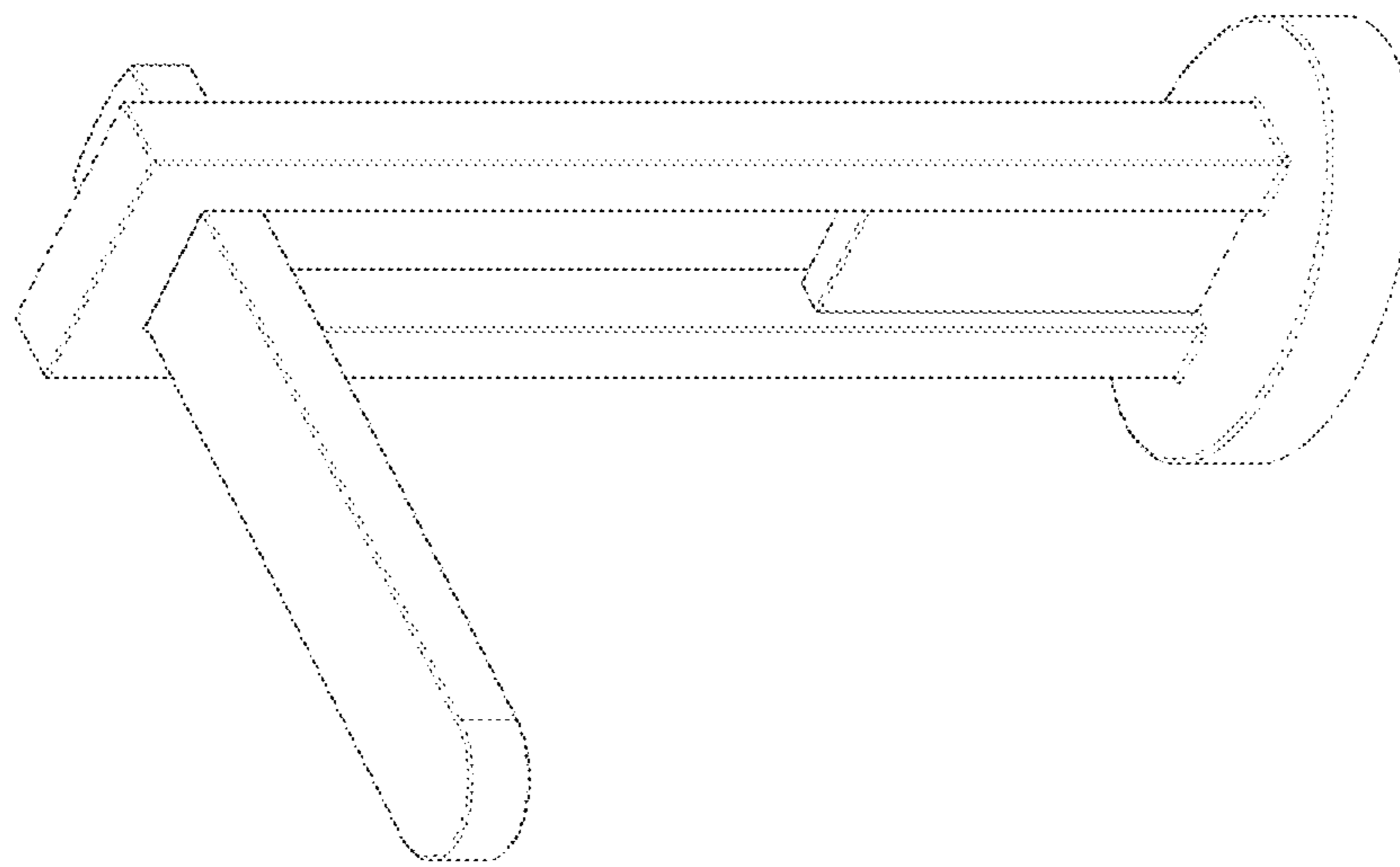


FIG. 1



FIG. 4

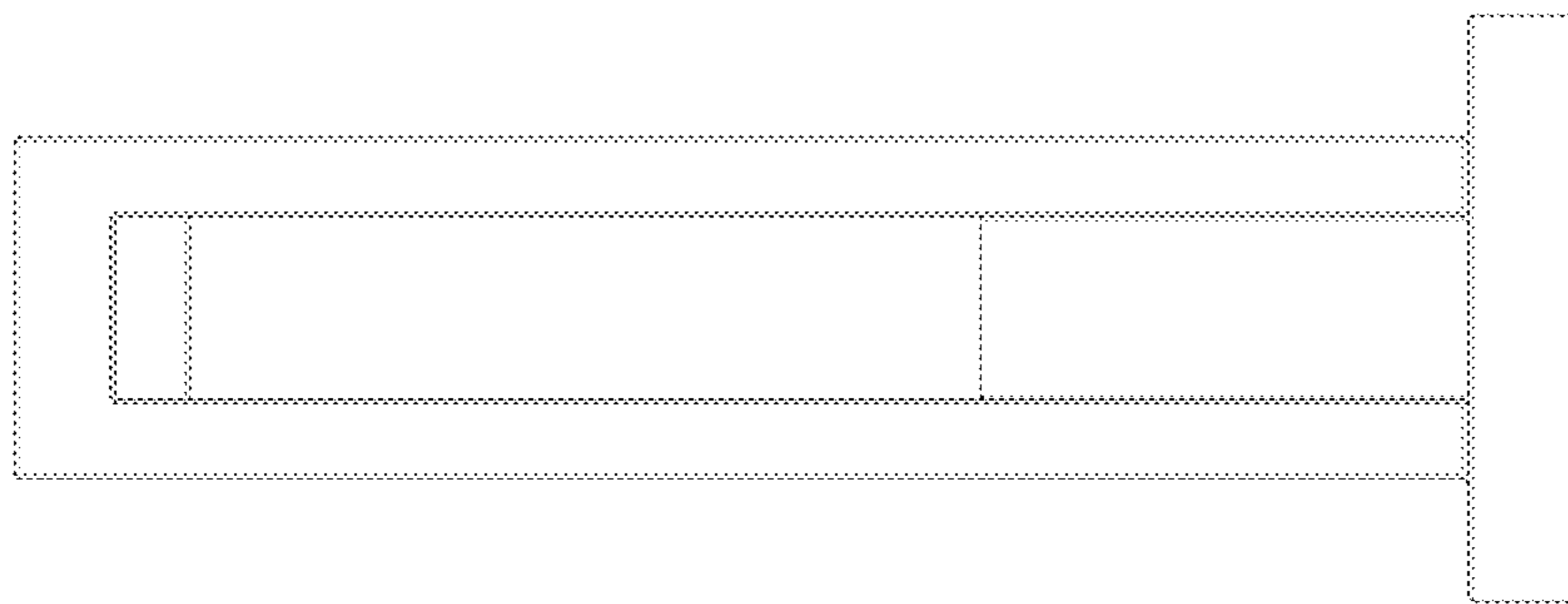


FIG. 5

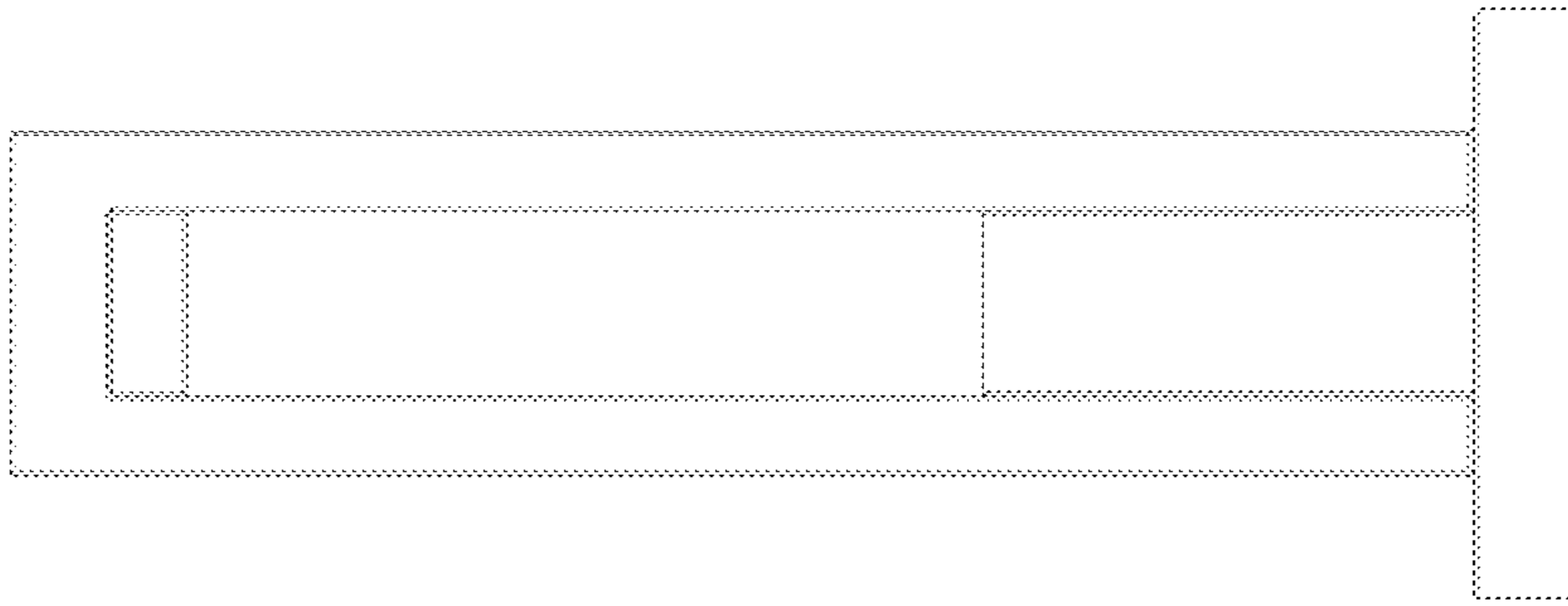


FIG. 1



FIG. 2

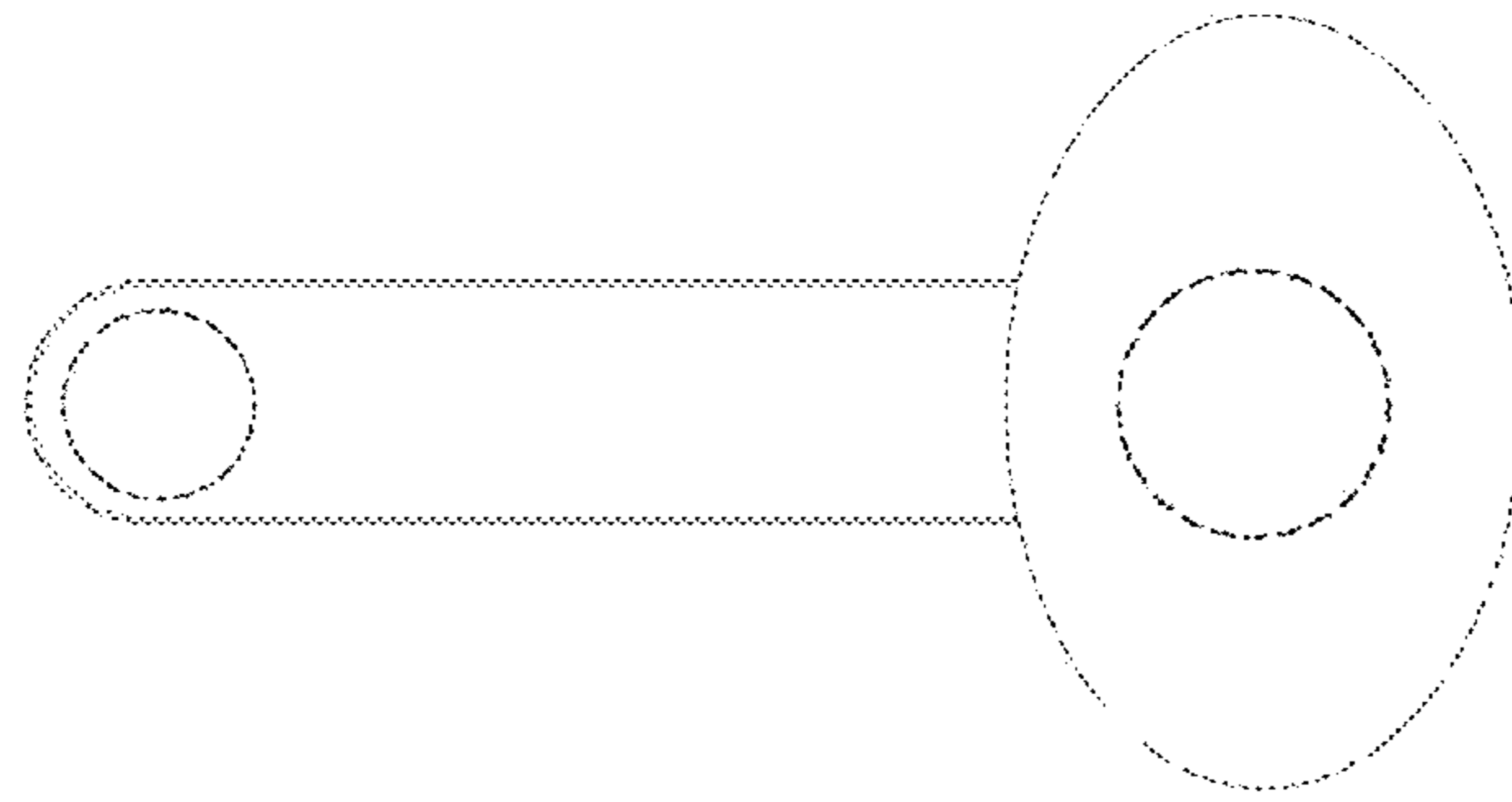


FIG. 8

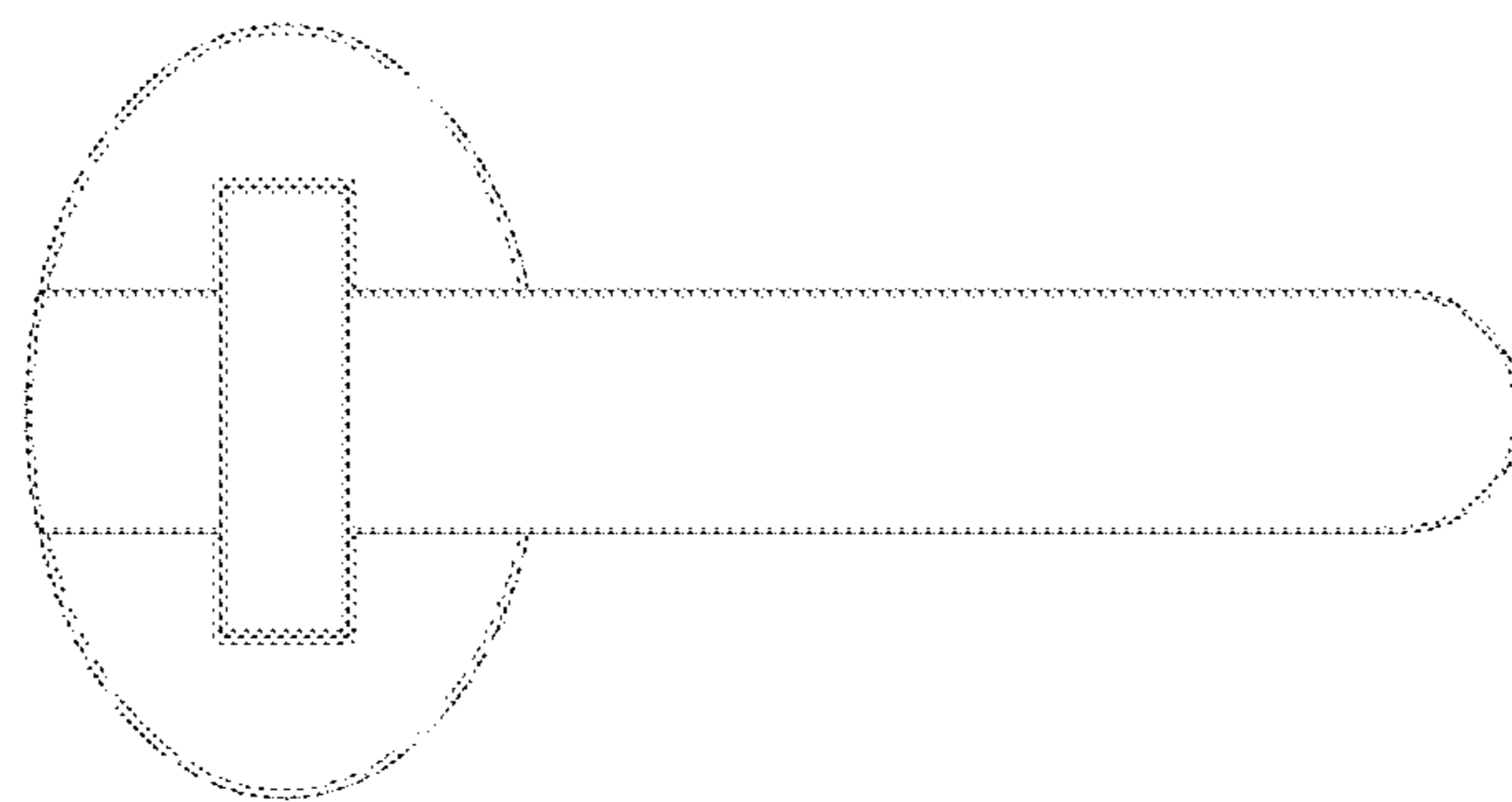


FIG. 7