



US00D928923S

(12) **United States Design Patent**
Stoler et al.

(10) **Patent No.:** **US D928,923 S**

(45) **Date of Patent:** **** Aug. 24, 2021**

(54) **FAUCET HANDLE**

D870,855 S * 12/2019 Eads D23/252

(71) Applicant: **DELTA FAUCET COMPANY**,
Indianapolis, IN (US)

* cited by examiner

(72) Inventors: **Benjamin David Stoler**, Carmel, IN
(US); **Jordan Bahler**, Frankfort, IN
(US)

Primary Examiner — Robert A Delehanty

(74) *Attorney, Agent, or Firm* — Nirav D. Parikh; Edgar
A. Zarins

(73) Assignee: **DELTA FAUCET COMPANY**,
Indianapolis, IN (US)

(57) **CLAIM**

(**) Term: **15 Years**

The ornamental design for a faucet handle, as shown and
described.

(21) Appl. No.: **29/723,489**

(22) Filed: **Feb. 7, 2020**

(51) **LOC (13) Cl.** **23-01**

(52) **U.S. Cl.**
USPC **D23/252**

(58) **Field of Classification Search**
USPC D23/238–243, 249–250, 252, 254
CPC E03C 1/042
See application file for complete search history.

DESCRIPTION

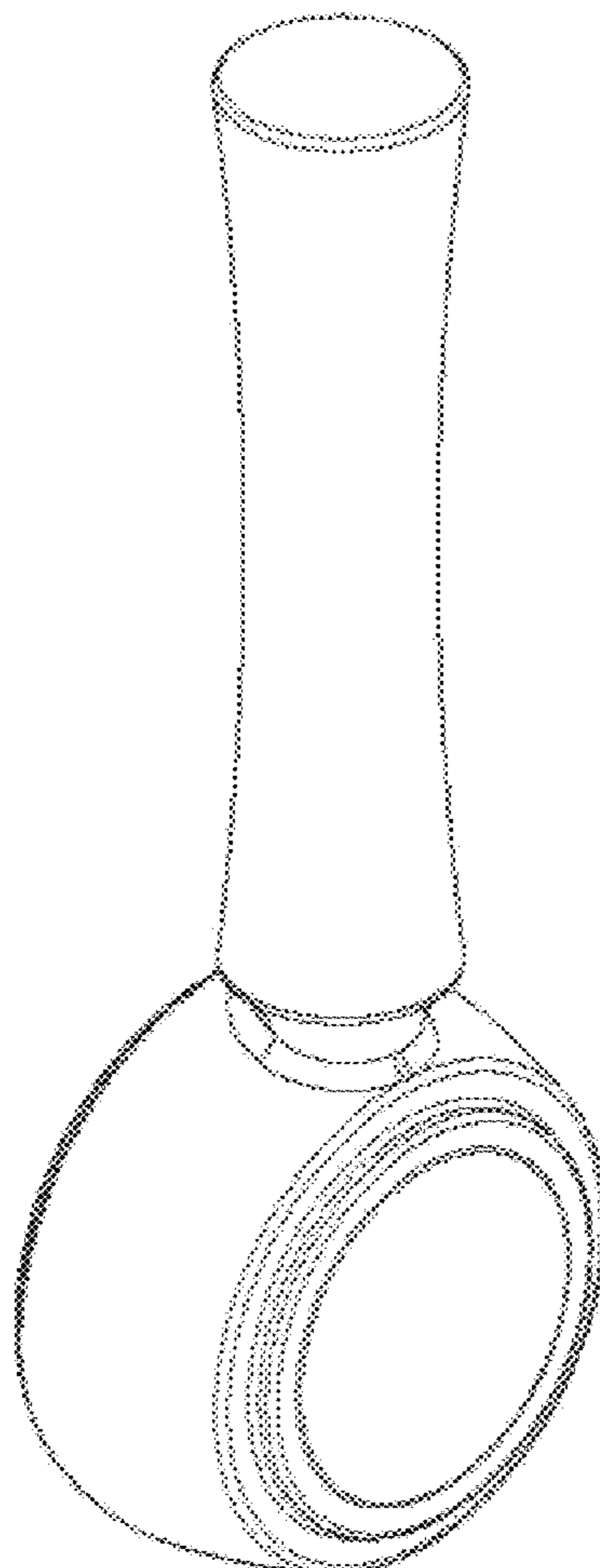
FIG. 1 is a front perspective view of a faucet handle showing
our new design;
FIG. 2 is a rear perspective view thereof;
FIG. 3 is a front elevational view thereof;
FIG. 4 is a left side view thereof;
FIG. 5 is a rear view thereof;
FIG. 6 is a right side view thereof;
FIG. 7 is a top plan view thereof; and,
FIG. 8 is a bottom view thereof.

(56) **References Cited**

U.S. PATENT DOCUMENTS

D674,881 S * 1/2013 Kwok D23/252
D786,407 S * 5/2017 Clarke D23/252

1 Claim, 4 Drawing Sheets



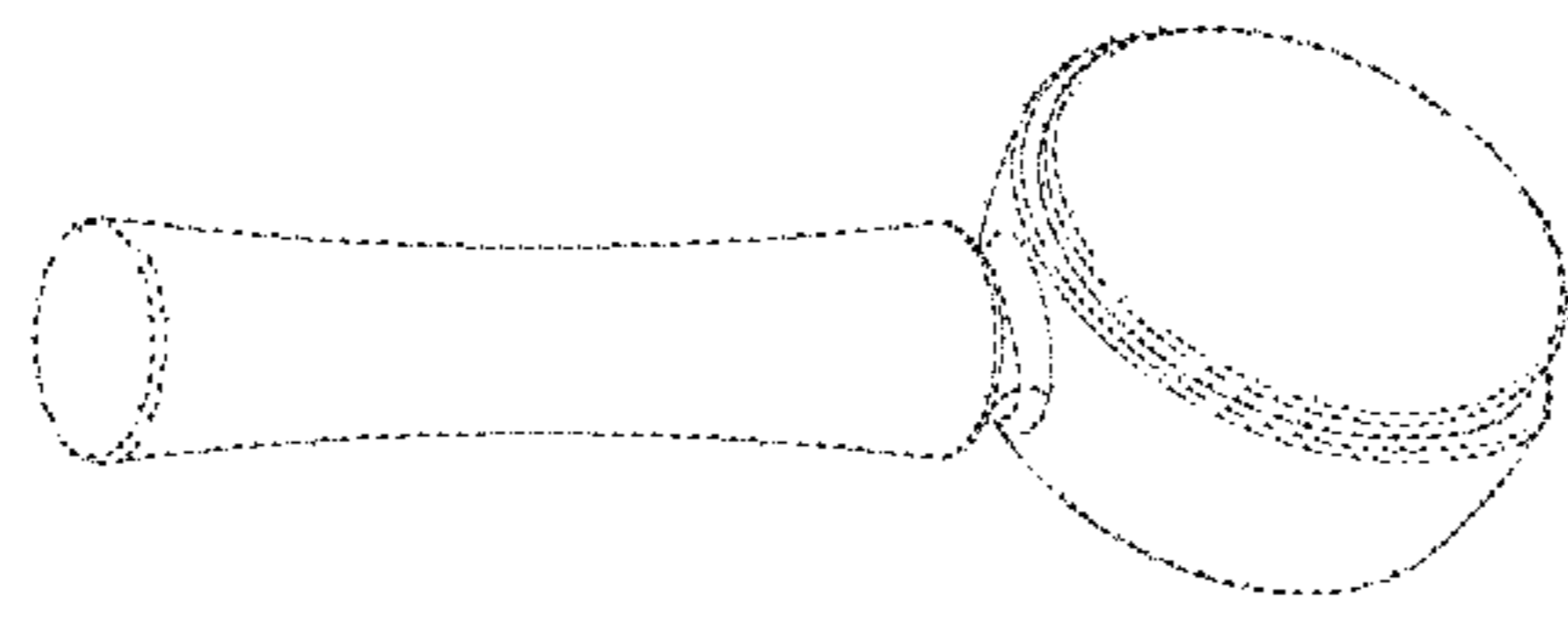


FIG. 2

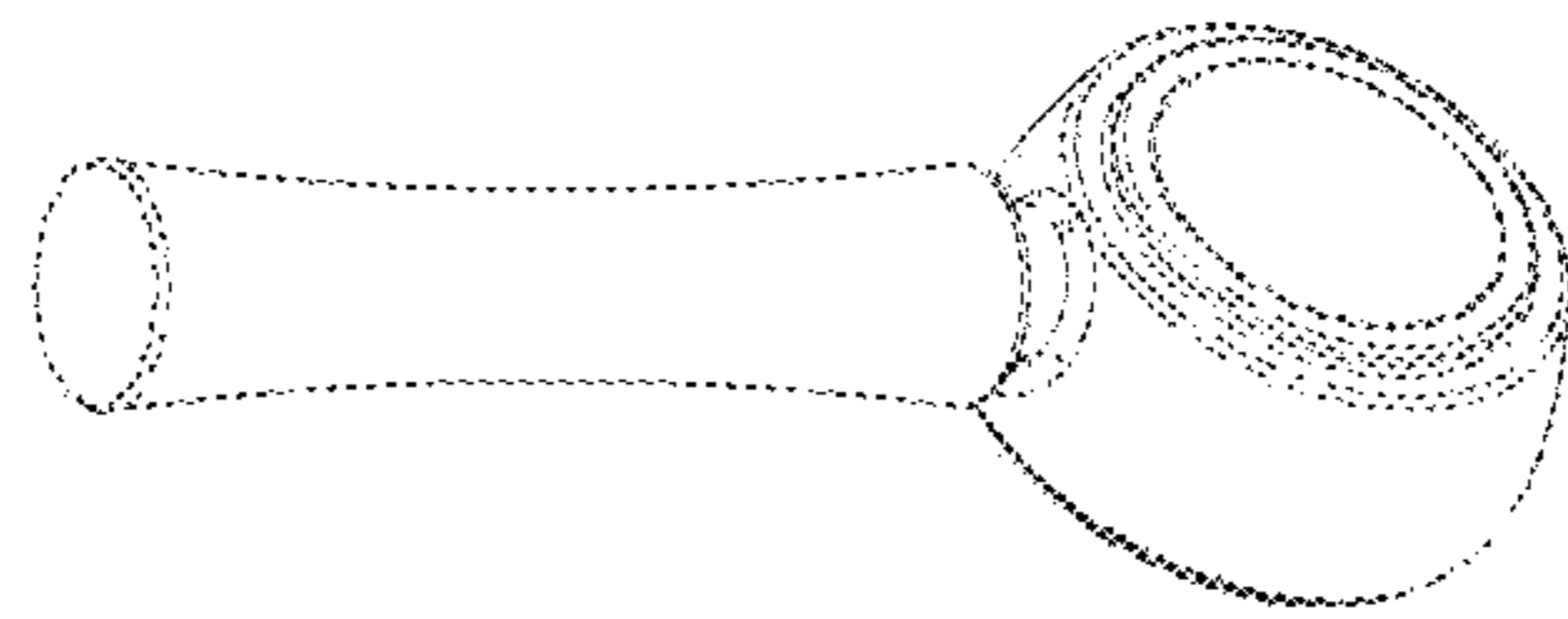


FIG. 1

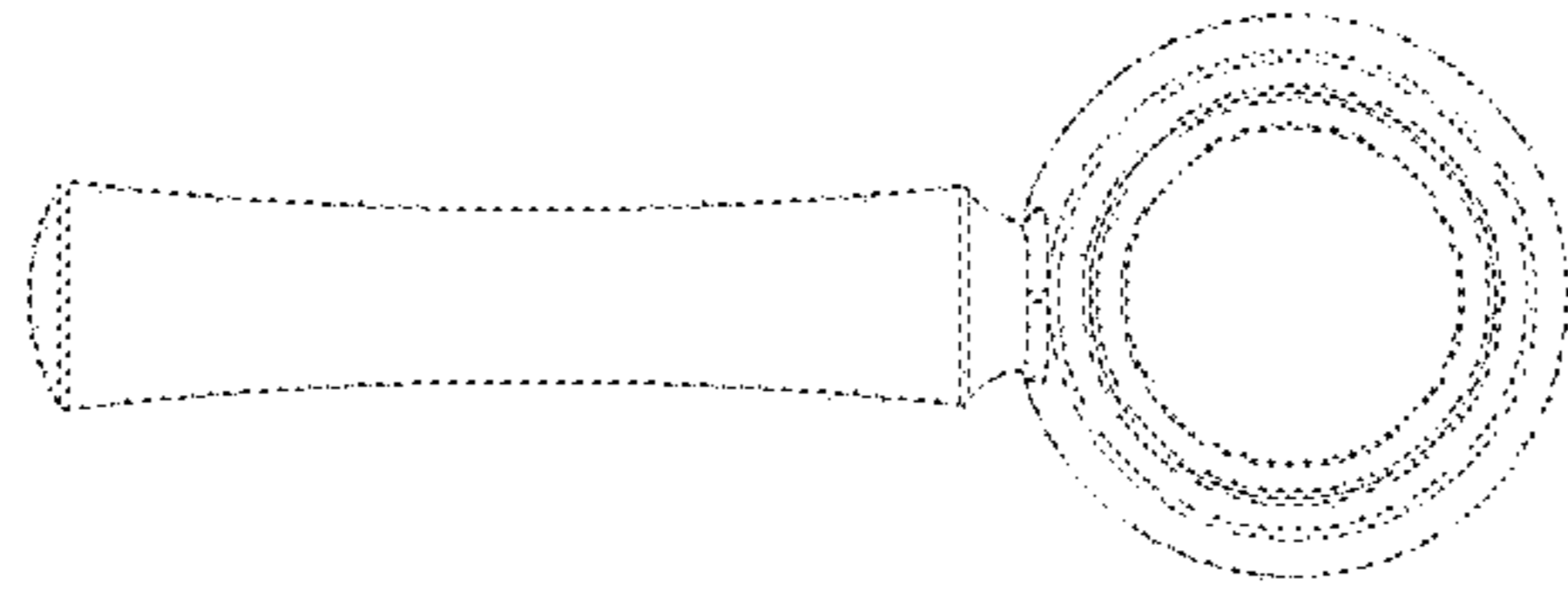


FIG. 4

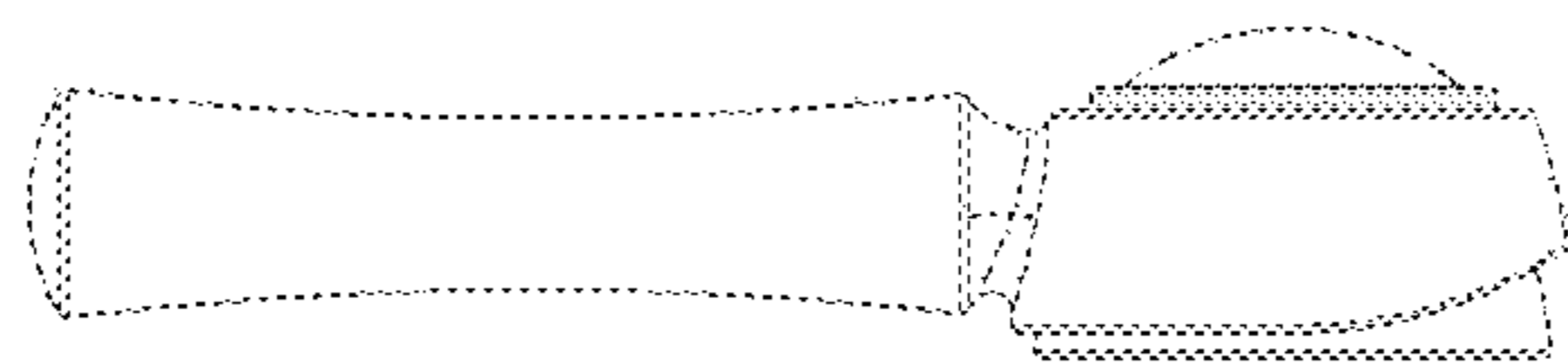


FIG. 3

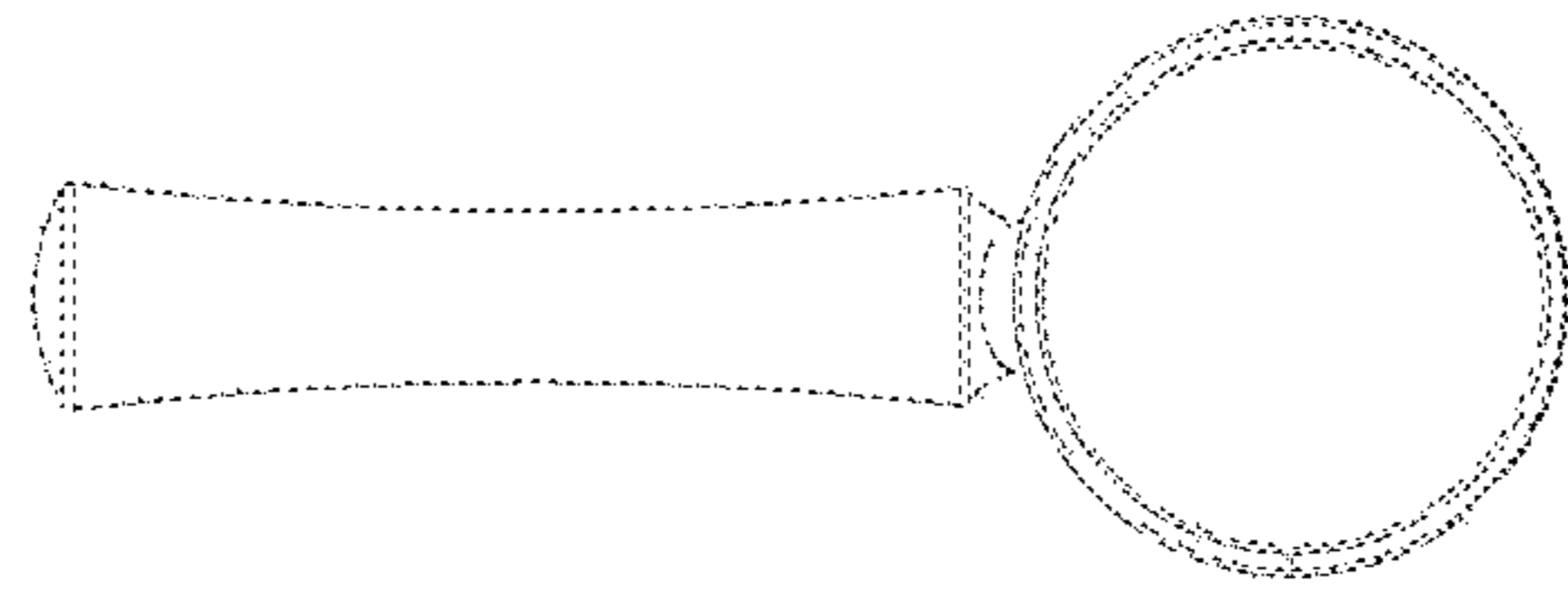


FIG. 6

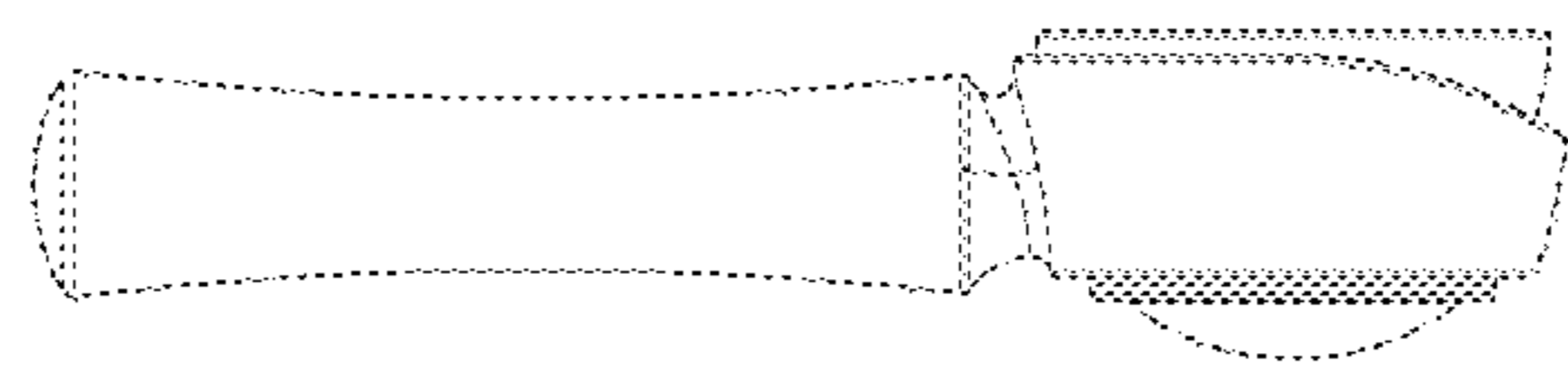


FIG. 5

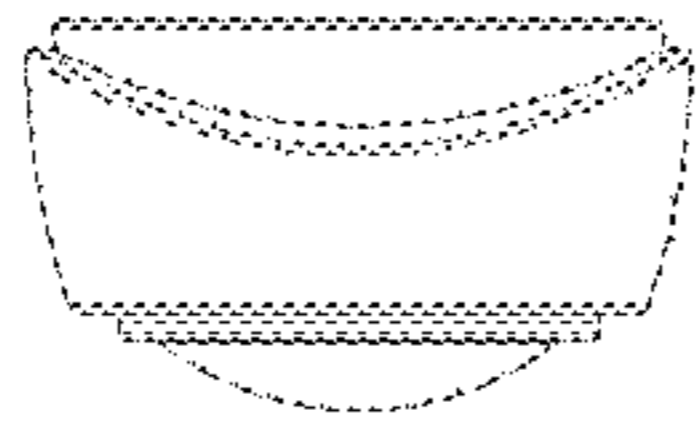


FIG. - 8

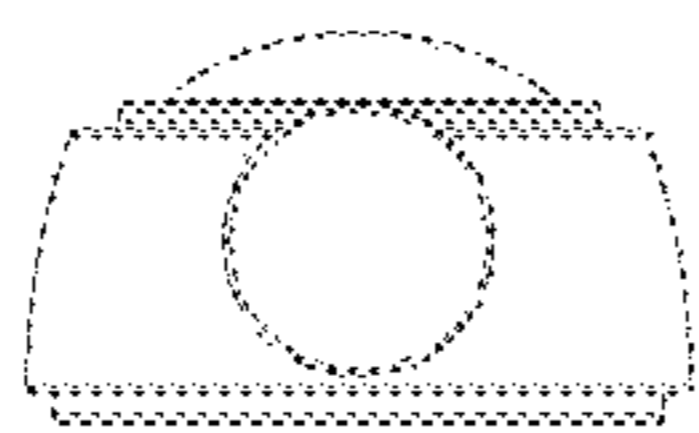


FIG. - 7