



US00D928920S

(12) **United States Design Patent** (10) **Patent No.:** **US D928,920 S**  
**Tu** (45) **Date of Patent:** **\*\* Aug. 24, 2021**

(54) **FAUCET**

FOREIGN PATENT DOCUMENTS

(71) Applicant: **GLOBE UNION INDUSTRIAL CORP.**, Taichung (TW)

CA 175160 \* 6/2017  
CN 303233641 \* 6/2014

(72) Inventor: **Chun-Yi Tu**, Taichung (TW)

OTHER PUBLICATIONS

(73) Assignee: **GLOBE UNION INDUSTRIAL CORP.**, Taichung (TW)

HOMELODY Centerset Bathroom Faucet, first available Dec. 24, 2018[online], [site visited Jun. 17, 2021]. Available from internet, URL:<<https://www.amazon.com/HOMELODY-Centerset-Bathroom-2-handle-Mounted/dp/B07MD7G9QN?th=1>> (Year: 2018).\*

(\*\*) Term: **15 Years**

MOEN 6410 Eva Collection Two Handle Centerset Bathroom Sink Faucet, announced Jun. 8, 2007[online], [site visited Feb. 19, 2021]. Available from internet, URL:<<https://www.amazon.com/Moen-Two-Handle-Centerset-Bathroom-6410/dp/B000TFCN0Q>> (Year: 2007).\*

(21) Appl. No.: **29/734,980**

(22) Filed: **May 18, 2020**

(51) **LOC (13) Cl.** ..... **23-01**

(52) **U.S. Cl.**  
USPC ..... **D23/242**

(58) **Field of Classification Search**  
USPC ..... D23/238-244, 252, 254-255, 257;  
D8/307-308  
CPC .... F16K 31/602; F16K 31/605; F16K 31/607;  
E03C 1/0412  
See application file for complete search history.

\* cited by examiner

*Primary Examiner* — Barbara Fox

*Assistant Examiner* — Jamaal Rasheed

(74) *Attorney, Agent, or Firm* — Leong C. Lei

(57) **CLAIM**

The ornamental design for a faucet, as shown and described.

(56) **References Cited**

**DESCRIPTION**

U.S. PATENT DOCUMENTS

D406,876 S	*	3/1999	Ko	.....	D23/241
D531,700 S	*	11/2006	Svendsen	.....	D23/241
D754,297 S	*	4/2016	Garland	.....	D23/242
D796,638 S	*	9/2017	Liao	.....	D23/242
D822,171 S	*	7/2018	Bennett	.....	D23/242
D839,390 S	*	1/2019	Eads	.....	D23/242
D873,965 S	*	1/2020	Lazarini	.....	D23/241
D913,425 S	*	3/2021	Eads	.....	D23/238
D913,426 S	*	3/2021	Eads	.....	D23/238
D914,848 S	*	3/2021	Eads	.....	D23/242
D919,053 S	*	5/2021	Stoler	.....	D23/242
D919,757 S	*	5/2021	Stoler	.....	D23/242

FIG. 1 is a perspective view of a faucet showing my new design;

FIG. 2 is a front elevational view thereof;

FIG. 3 is a rear elevational view thereof;

FIG. 4 is a left side elevational view thereof;

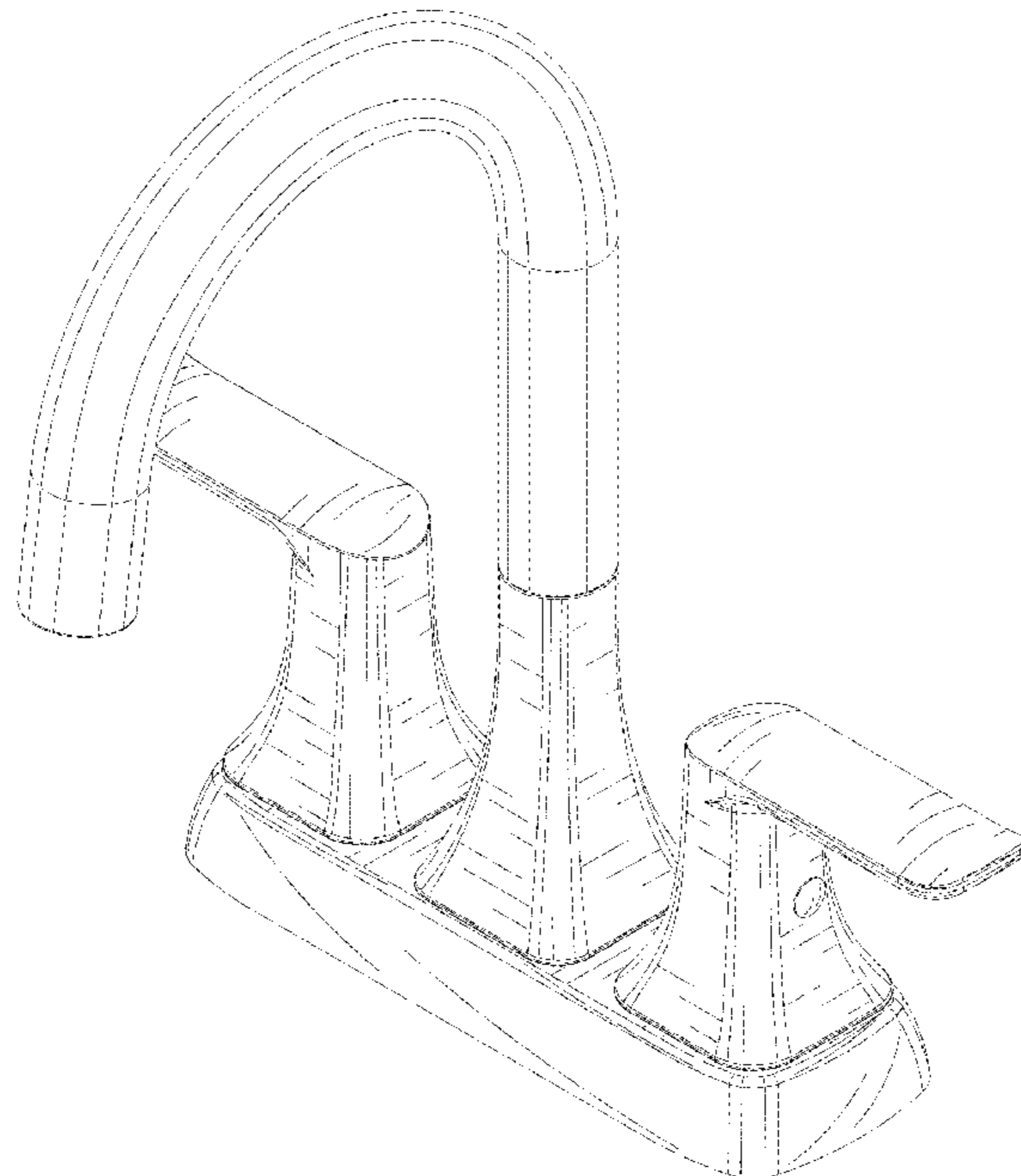
FIG. 5 is a right side elevational view thereof;

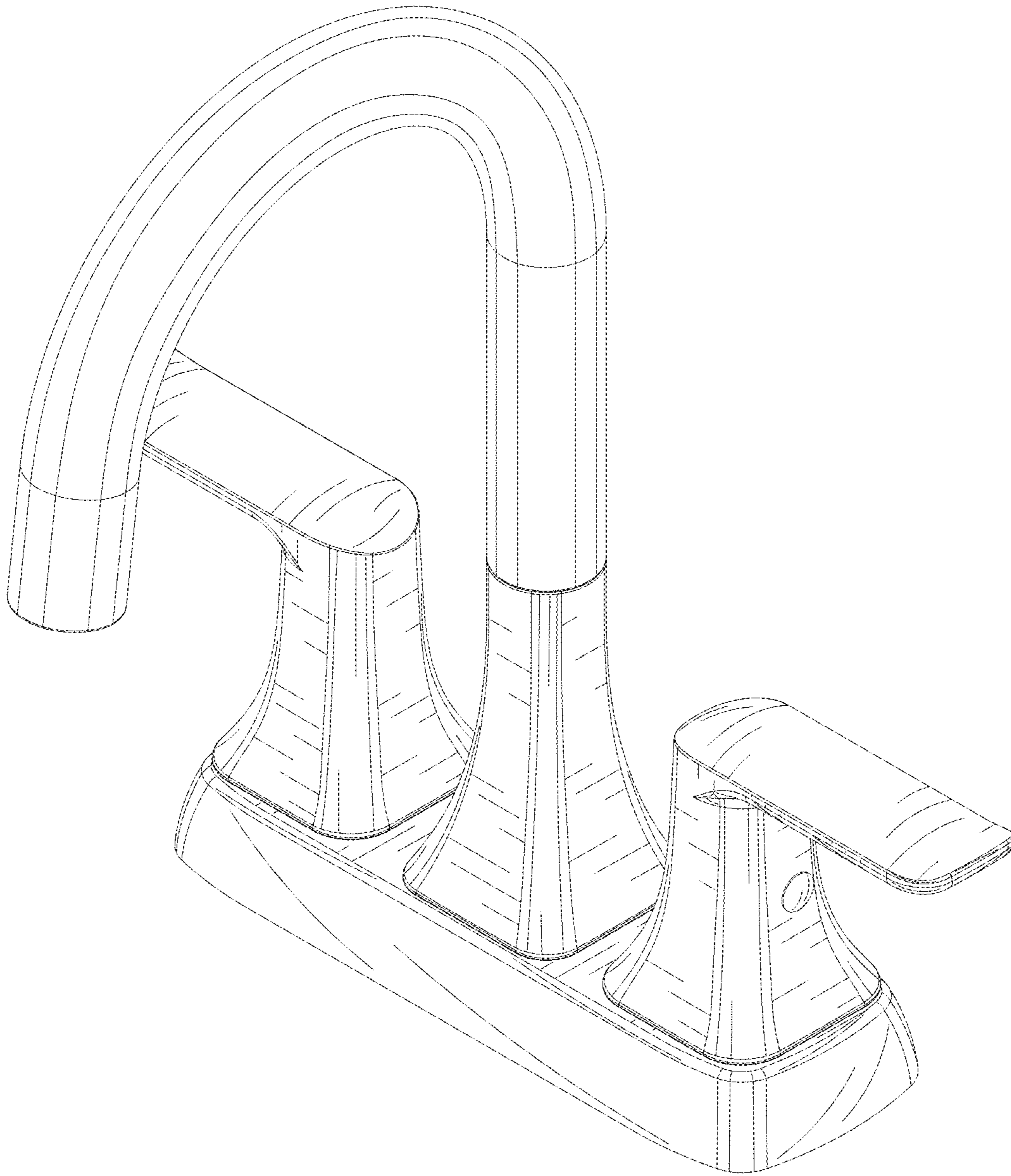
FIG. 6 is a top plan view thereof; and,

FIG. 7 is a bottom plan view thereof.

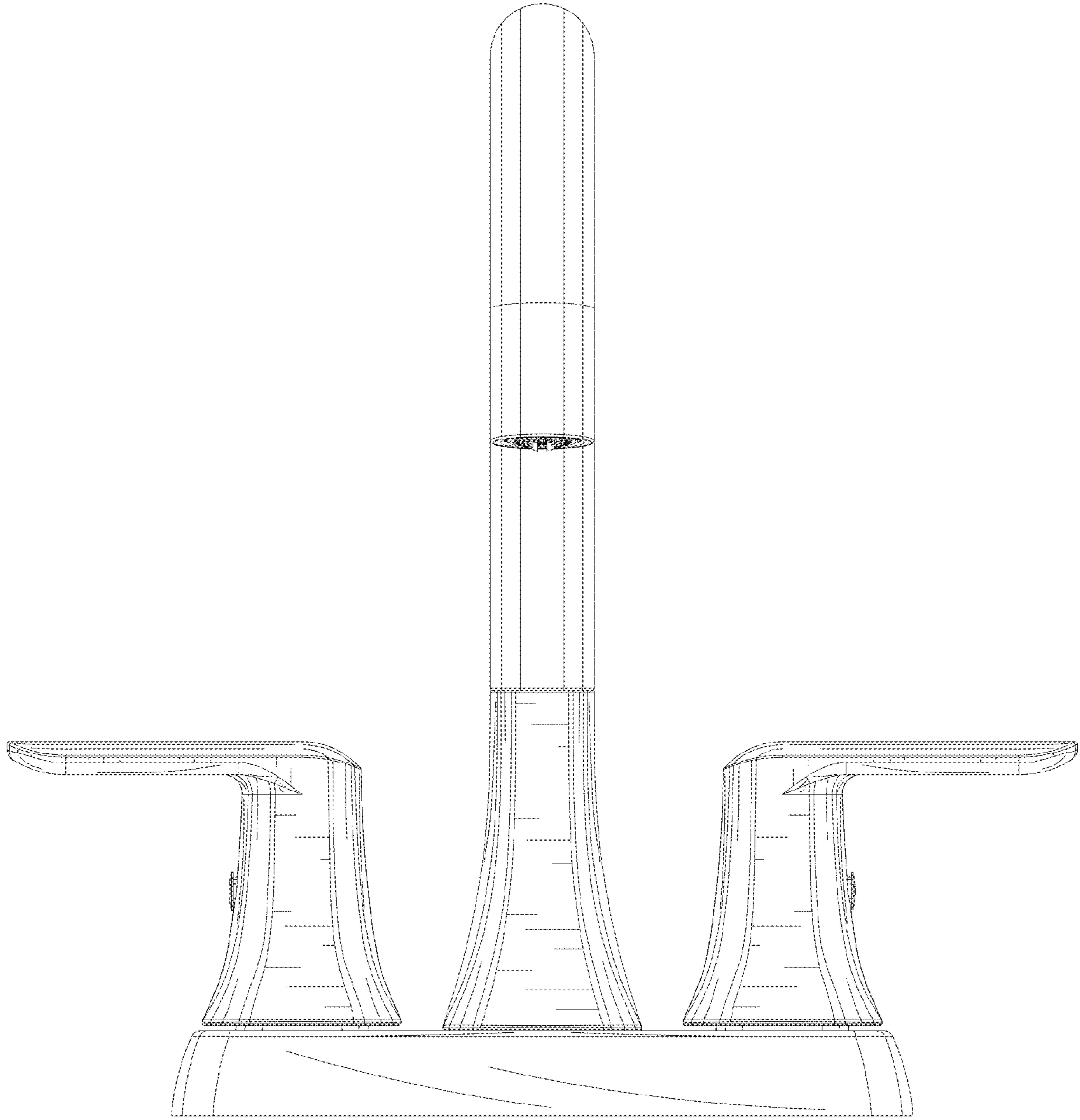
The portions shown in broken lines form no part of the claimed design.

**1 Claim, 7 Drawing Sheets**

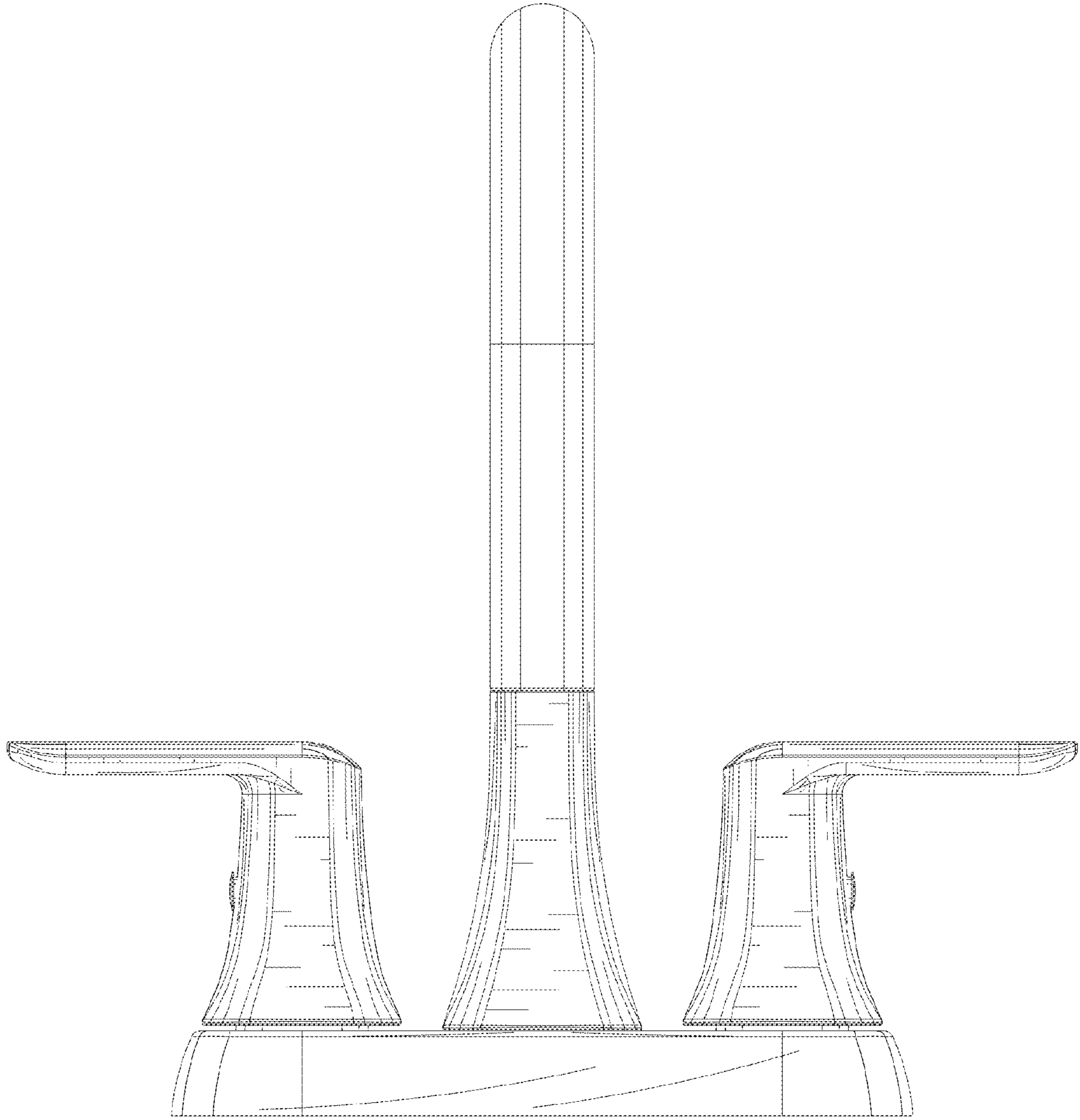




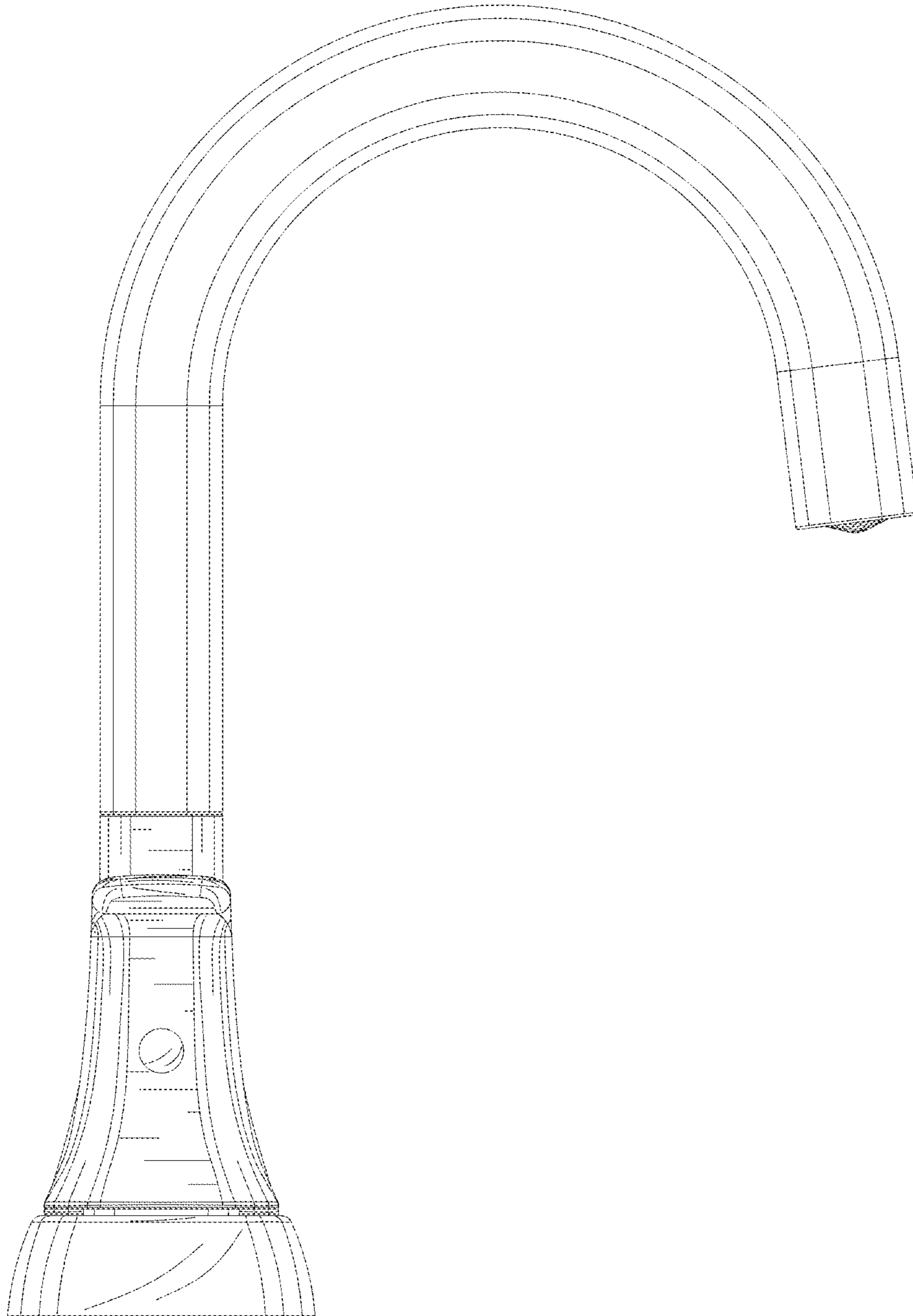
**FIG. 1**



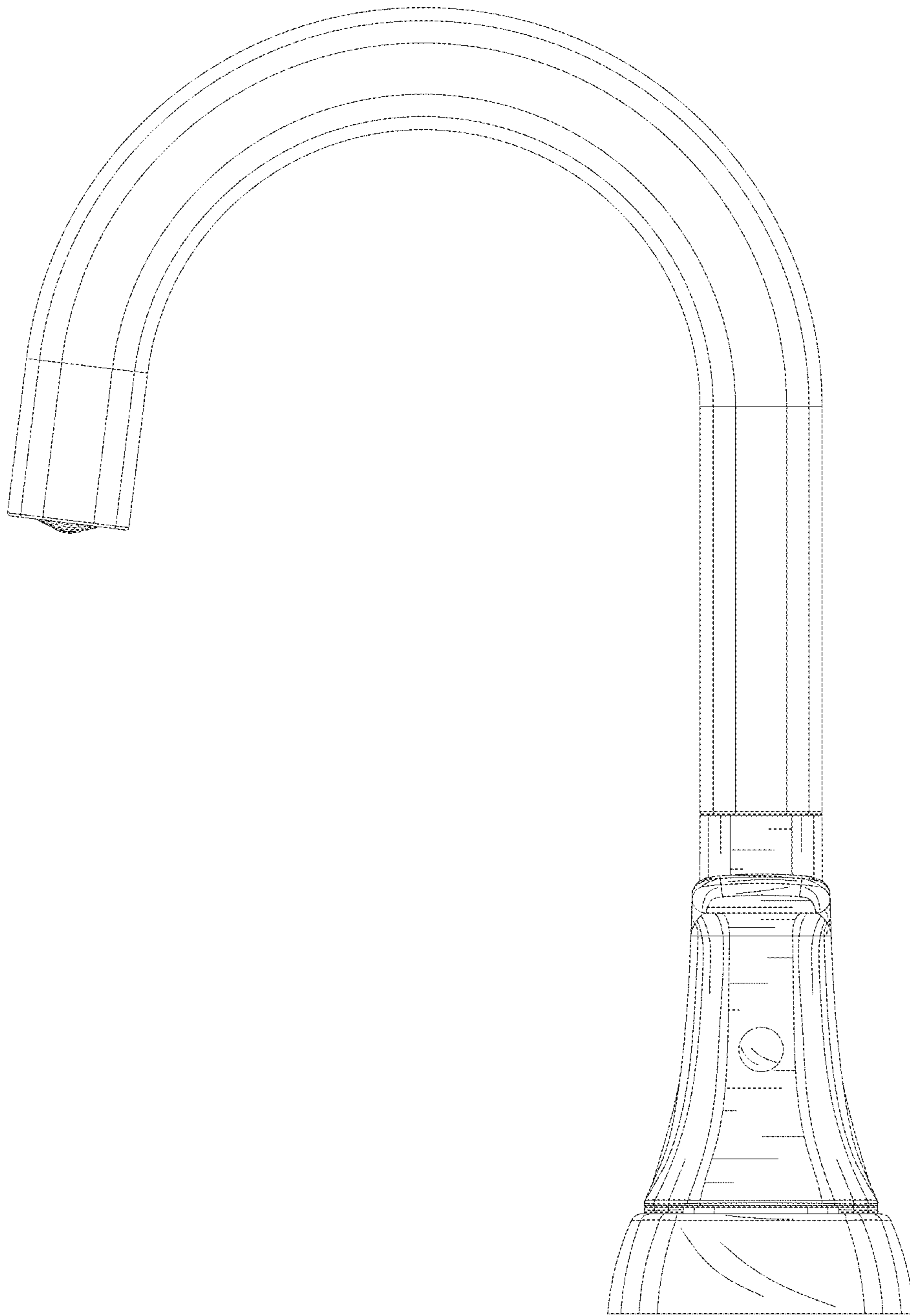
**FIG. 2**



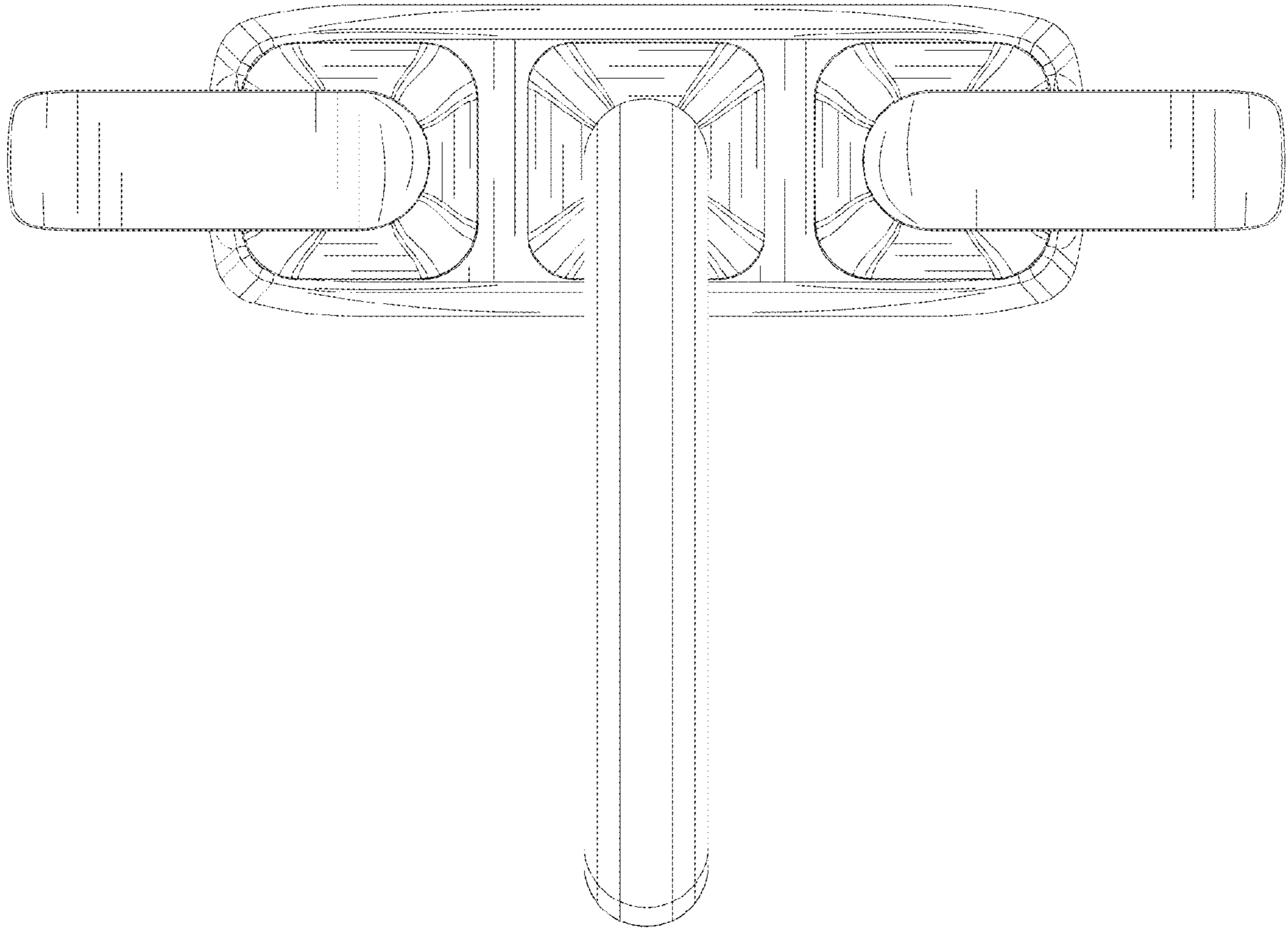
**F I G. 3**



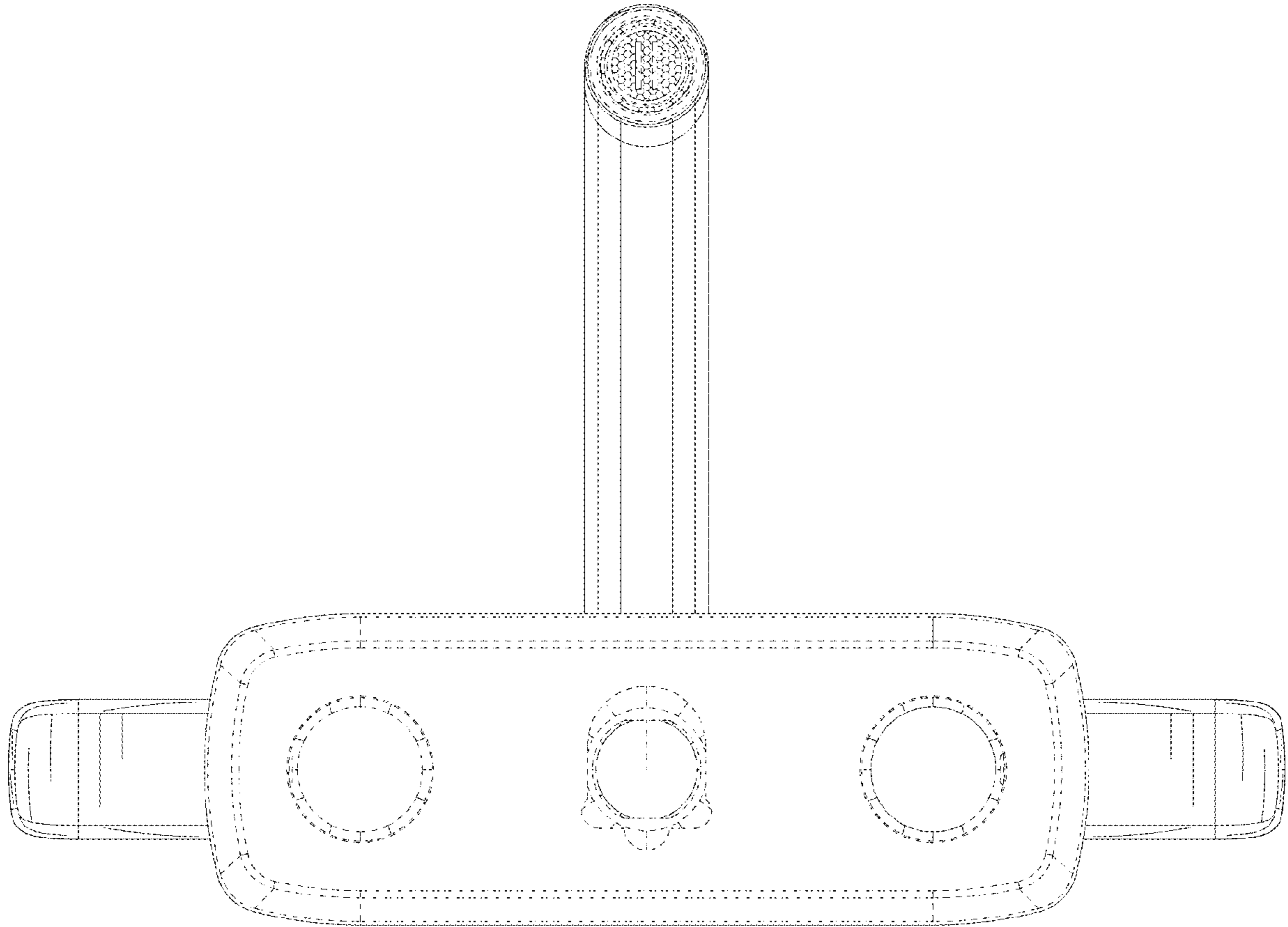
**FIG. 4**



**FIG. 5**



**F I G. 6**



**FIG. 7**