



US00D928918S

(12) **United States Design Patent** (10) **Patent No.:** **US D928,918 S**
Lazarini (45) **Date of Patent:** **** Aug. 24, 2021**

(54) **FAUCET**

FOREIGN PATENT DOCUMENTS

(71) Applicant: **DELTA FAUCET COMPANY,**
Indianapolis, IN (US)

CA 147332 * 9/2012
CN 303120234 * 3/2015

(72) Inventor: **Alejandra Lazarini,** Carmel, IN (US)

OTHER PUBLICATIONS

(73) Assignee: **DELTA FAUCET COMPANY,**
Indianapolis, IN (US)

Single Handle Bathroom, announced Date unavailable[online], [site visited Jul. 15, 2020]. Available from internet, URL:<https://www.deltafaucet.com/bathroom/product/538T-RB-DST> (Year: 2020).
Single hole Faucet, announced Sep. 14, 2004[online], [site visited Jul. 15, 2020]. Available from internet, URL:<https://www.amazon.com/Moen-6400BN-One-Handle-Bathroom-Deckplate/dp/B002PEP2WU> (Year: 2004).*

(**) Term: **15 Years**

(21) Appl. No.: **29/680,644**

* cited by examiner

(22) Filed: **Feb. 19, 2019**

(51) **LOC (13) Cl.** **23-01**

Primary Examiner — Barbara Fox

(52) **U.S. Cl.**

Assistant Examiner — Jamaal Rasheed

USPC **D23/238**

(74) *Attorney, Agent, or Firm* — Nirav D. Parikh; Edgar A. Zarins

(58) **Field of Classification Search**

USPC D23/238–243, 252, 254, 255, 257

CPC E03C 1/084

See application file for complete search history.

(57) **CLAIM**

The ornamental design for a faucet, as shown and described.

DESCRIPTION

(56) **References Cited**

U.S. PATENT DOCUMENTS

D471,254 S *	3/2003	Bonnell	D23/238
D656,590 S *	3/2012	Ko	D23/257
D683,821 S *	6/2013	Reuter	D23/238
D686,299 S *	7/2013	Flowers	D23/238
D687,126 S *	7/2013	Romero	D23/238
D817,453 S *	5/2018	Wang	D23/238
D840,506 S *	2/2019	Garland	D23/238
D841,129 S *	2/2019	Garland	D23/238
2010/0155505 A1 *	6/2010	Lopp	E03C 1/084
				239/428.5

FIG. 1 is a front perspective view of a faucet showing my new design;

FIG. 2 is a left side view thereof;

FIG. 3 is a top plan view thereof;

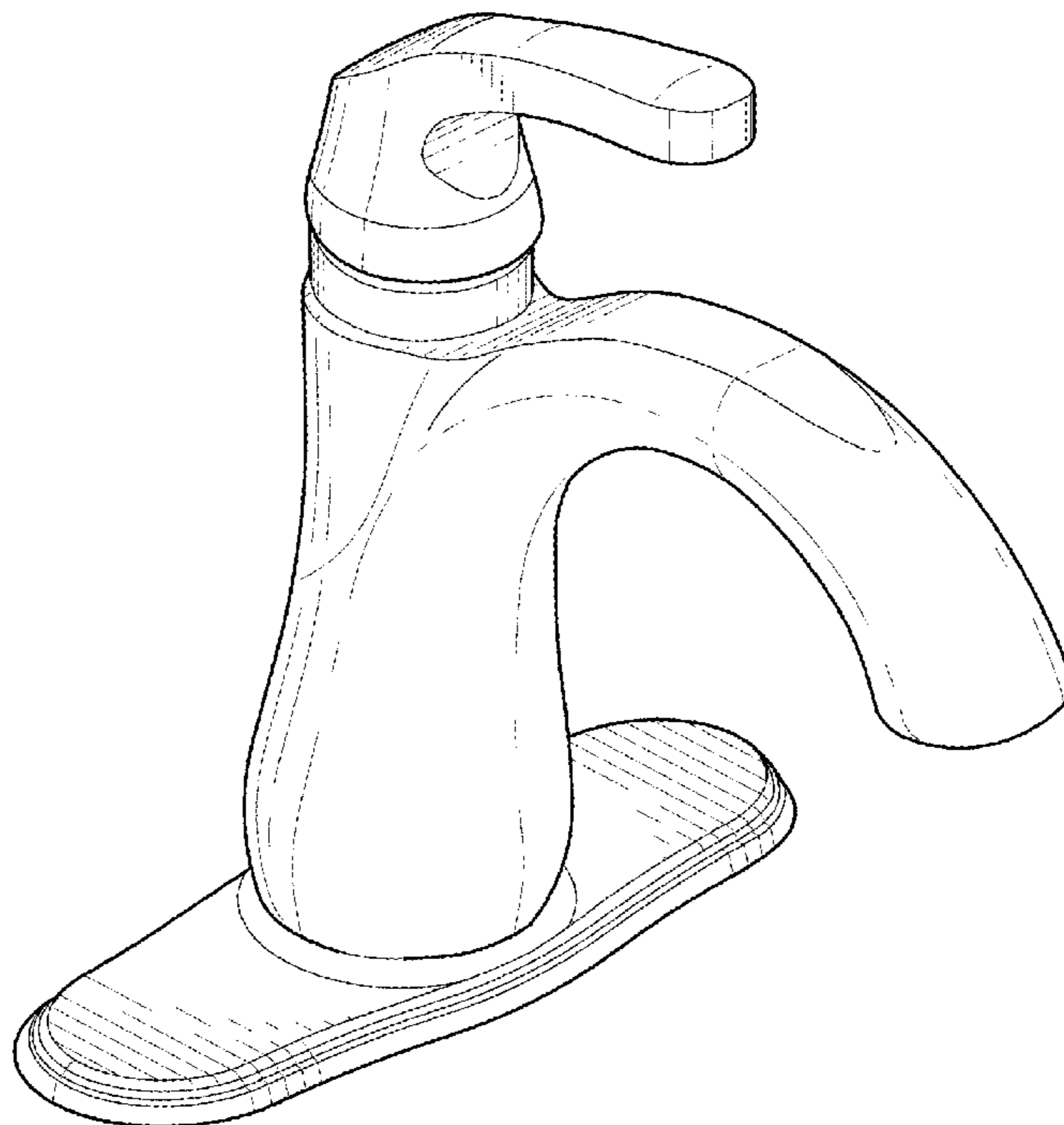
FIG. 4 is a front elevational view thereof;

FIG. 5 is a rear view thereof; and,

FIG. 6 is a bottom view thereof.

The broken-line disclosure in the view represents a portion of the faucet in which the claimed design is embodied, but which forms no part of the claimed design.

1 Claim, 3 Drawing Sheets



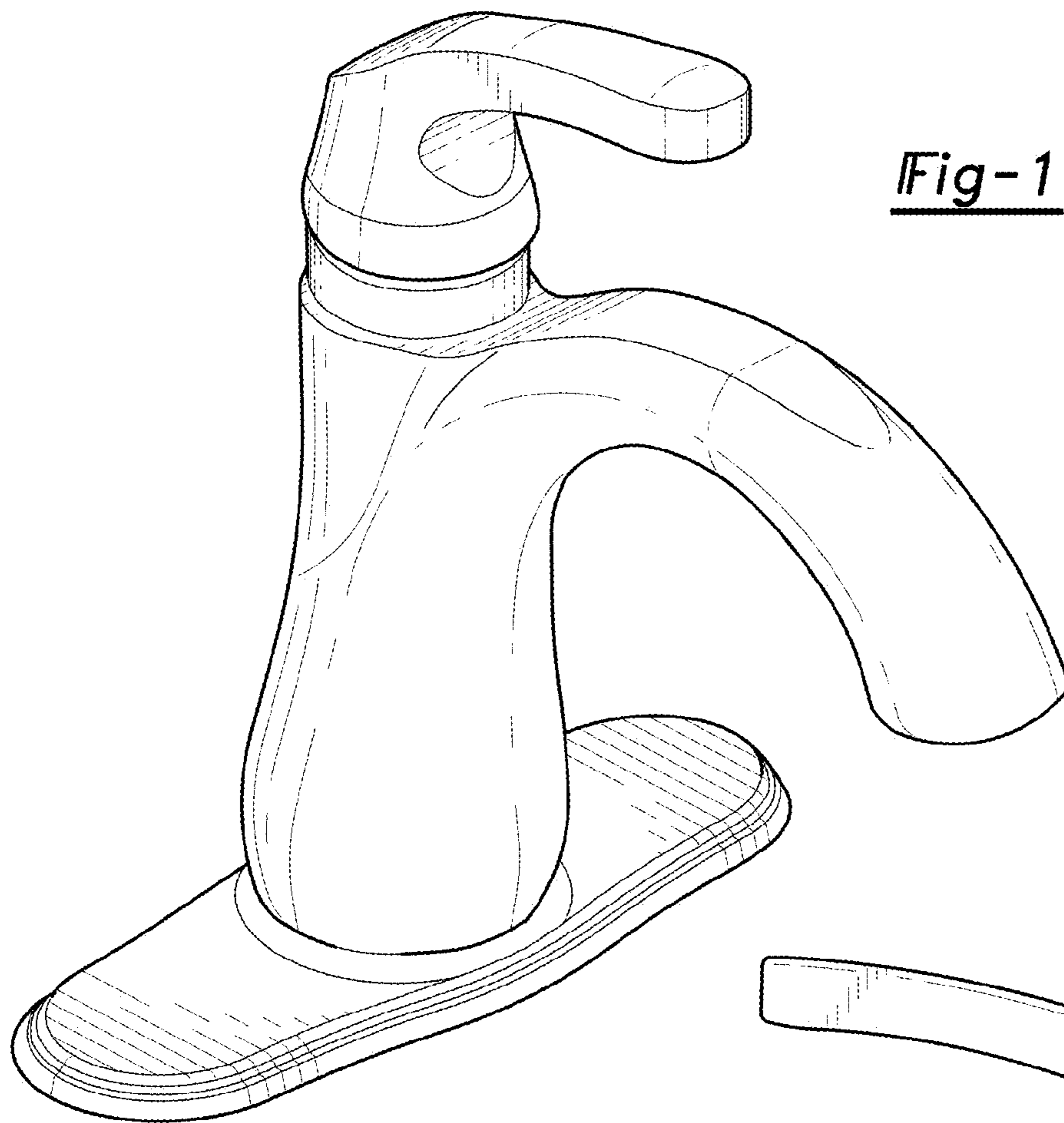


Fig-1

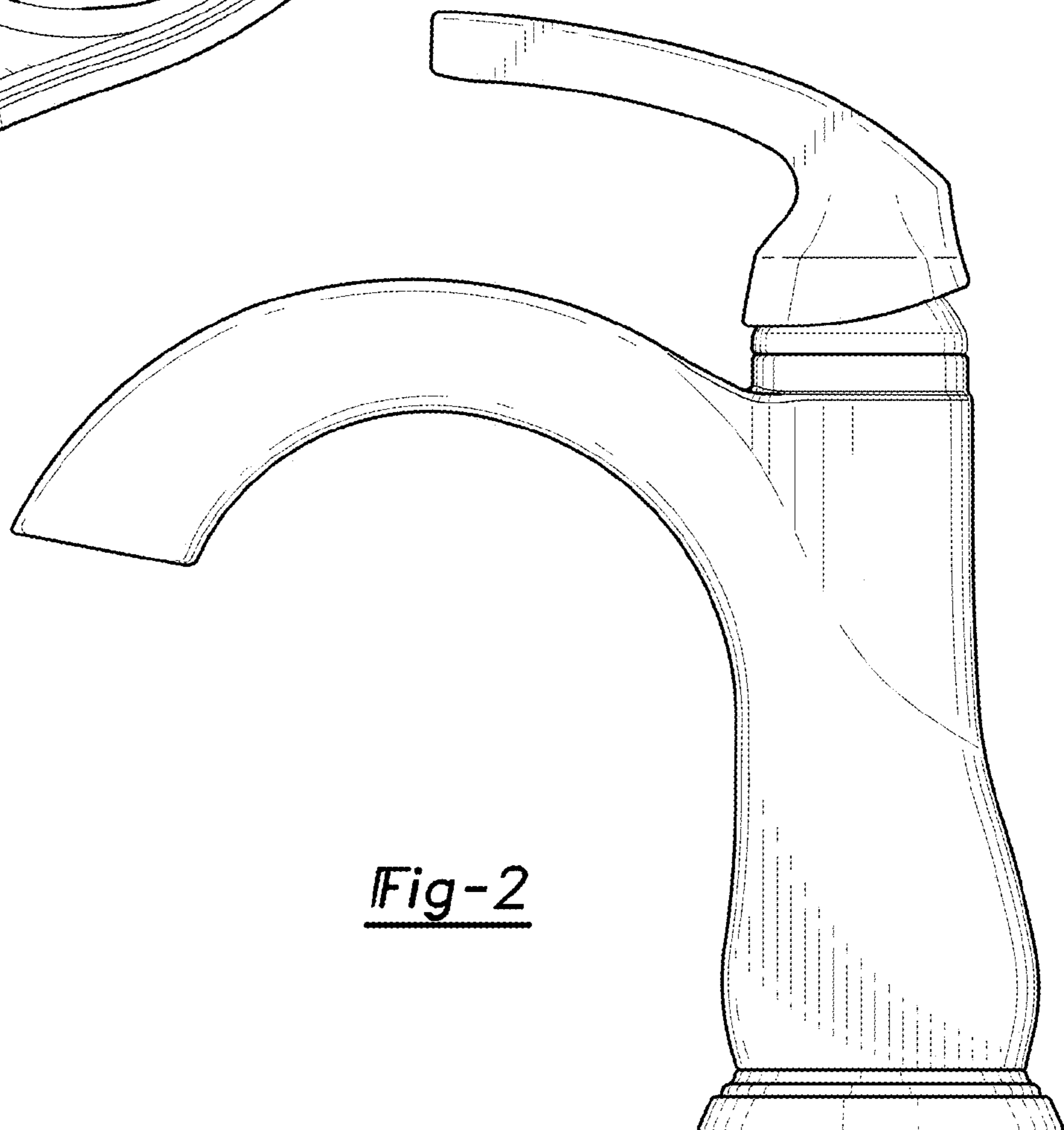


Fig-2

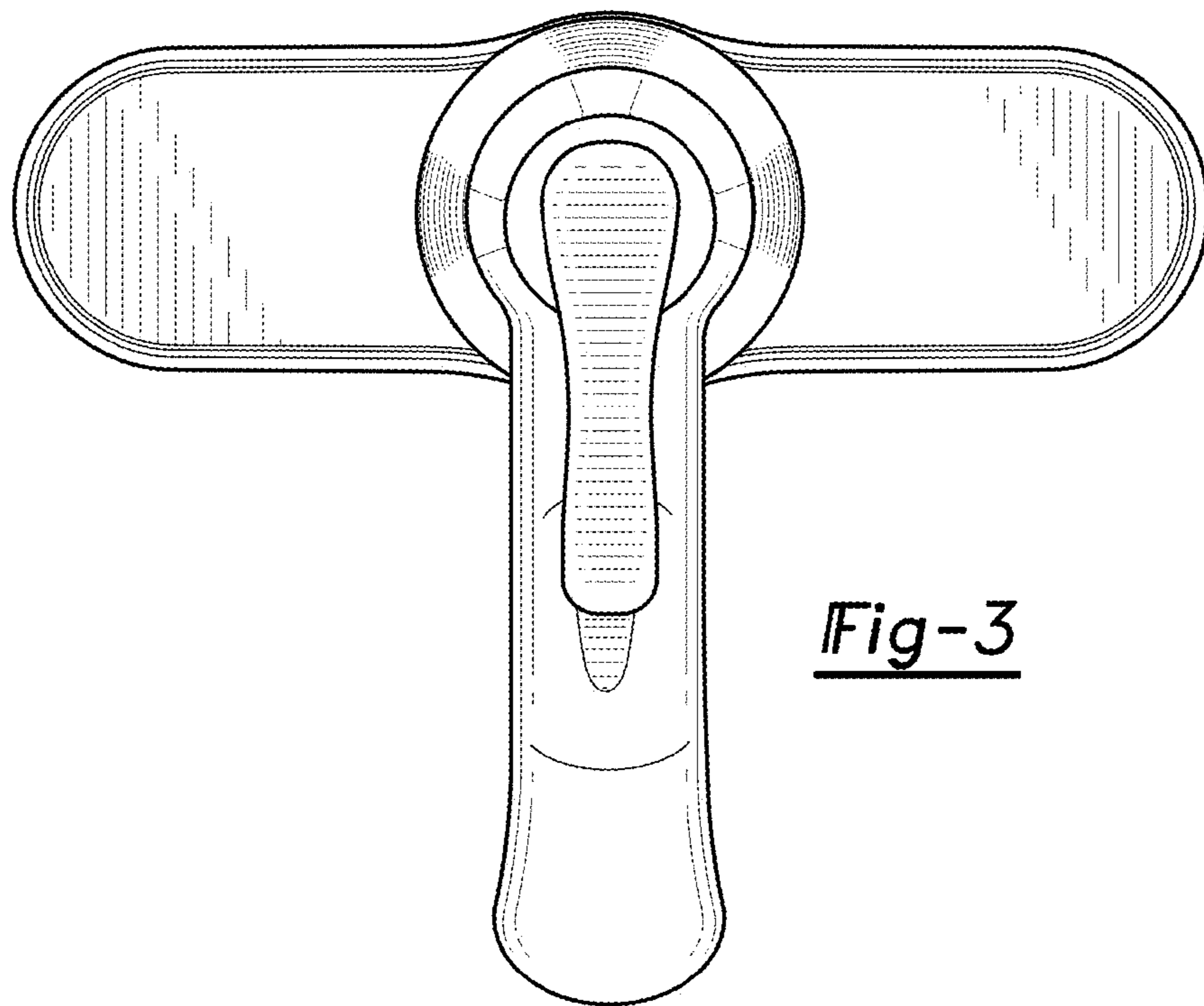


Fig-3

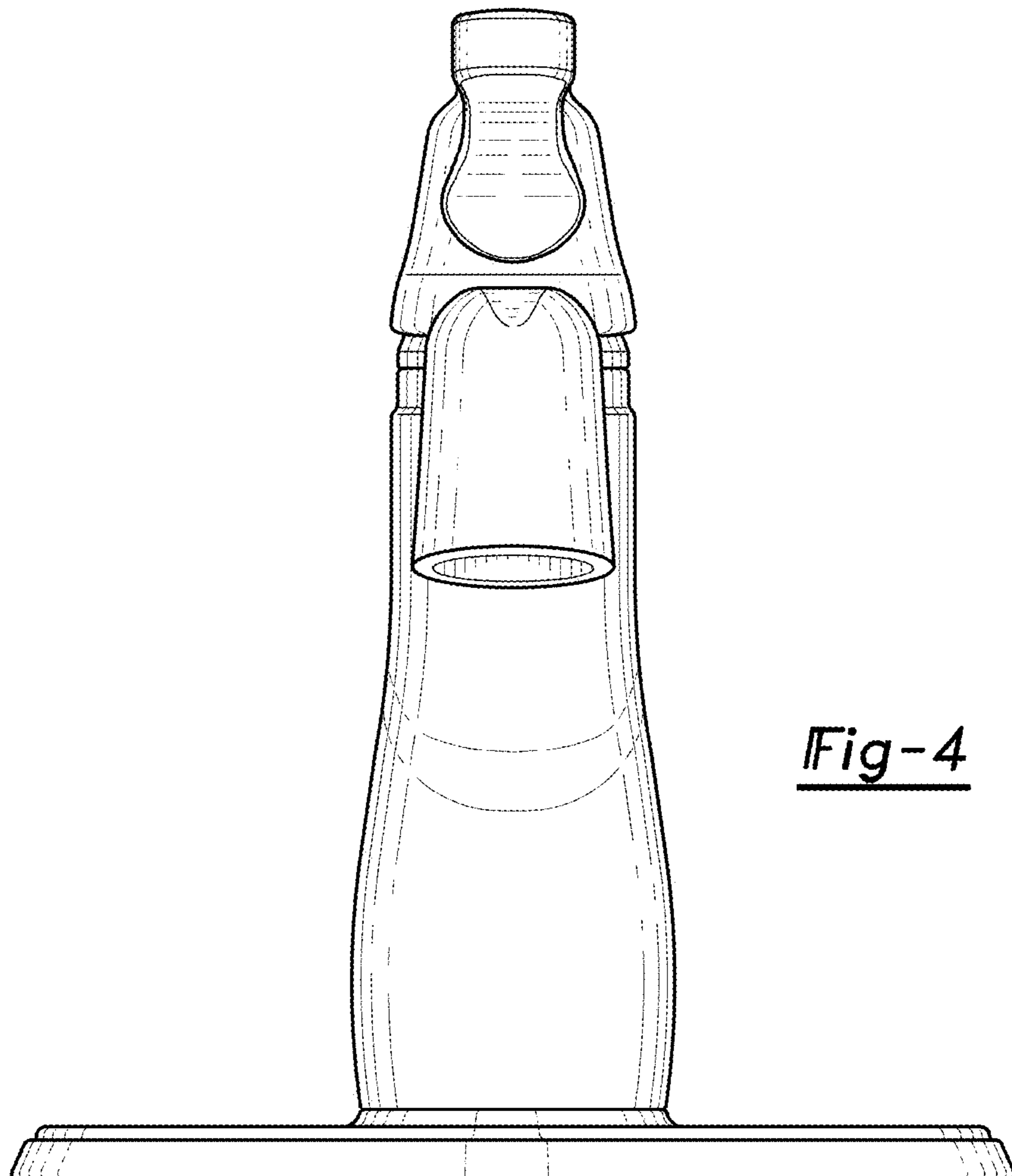


Fig-4



Fig-5

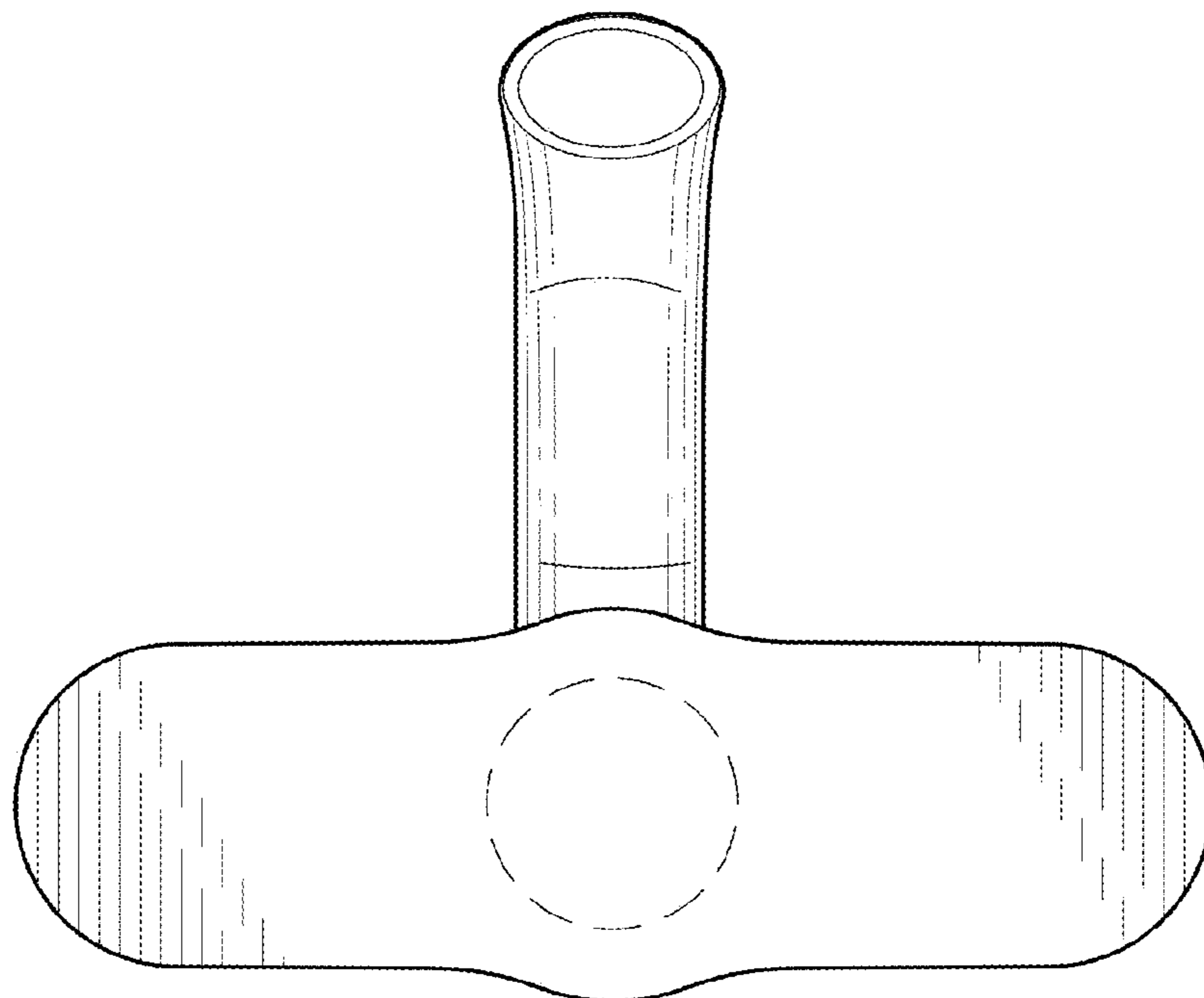


Fig-6