



US00D928916S

(12) **United States Design Patent**
Shim

(10) **Patent No.:** **US D928,916 S**

(45) **Date of Patent:** **** Aug. 24, 2021**

(54) **REGULATOR VALVE**

10,167,970 B2 * 1/2019 Lee G05D 16/0663
D858,703 S * 9/2019 Lagoni D23/233

(71) Applicant: **DOOSAN MOBILITY INNOVATION INC.**, Gyeonggi-do (KR)

* cited by examiner

(72) Inventor: **Gyu Jung Shim**, Gyeonggi-do (KR)

Primary Examiner — Gino Colan

(73) Assignee: **DOOSAN MOBILITY INNOVATION INC.**

(74) *Attorney, Agent, or Firm* — Tarolli, Sundheim, Covell & Tummino LLP

(**) Term: **15 Years**

(57) **CLAIM**

(21) Appl. No.: **29/712,199**

The ornamental design for a regulator valve, as shown and described.

(22) Filed: **Nov. 6, 2019**

(51) **LOC (13) Cl.** **23-01**

(52) **U.S. Cl.**

USPC **D23/233**

(58) **Field of Classification Search**

USPC D23/233, 235, 237, 241, 245, 247, 248;
137/198, 112, 315.04, 498, 14, 625.64,
137/625.23, 85

CPC F16K 24/048; F16K 24/00; F16K 24/04;
F16K 24/06

See application file for complete search history.

DESCRIPTION

FIG. 1 is a perspective view of a regular valve showing my new design;

FIG. 2 is a front elevation view thereof;

FIG. 3 is a rear elevation view thereof;

FIG. 4 is a left elevation view thereof;

FIG. 5 is a right elevation view thereof;

FIG. 6 is a top plan view thereof;

FIG. 7 is a bottom plan view thereof; and,

FIG. 8 is another perspective view thereof.

The broken lines shown in the figures are for the purpose of illustrating portions of the regulator valve and form no part of the claimed design.

(56) **References Cited**

U.S. PATENT DOCUMENTS

8,985,553 B2 * 3/2015 Knepple F16K 24/04
251/330

1 Claim, 8 Drawing Sheets

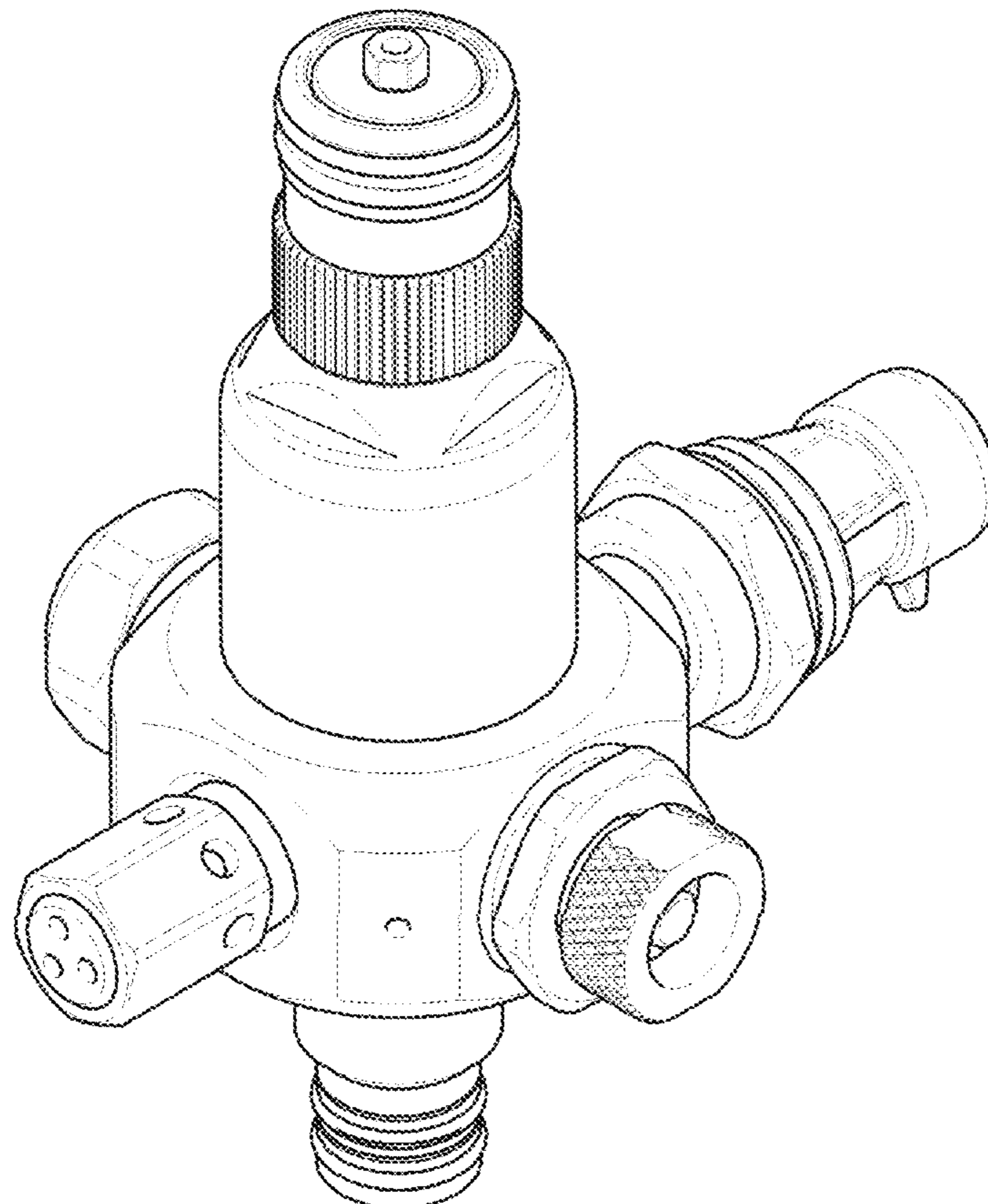


Figure 1

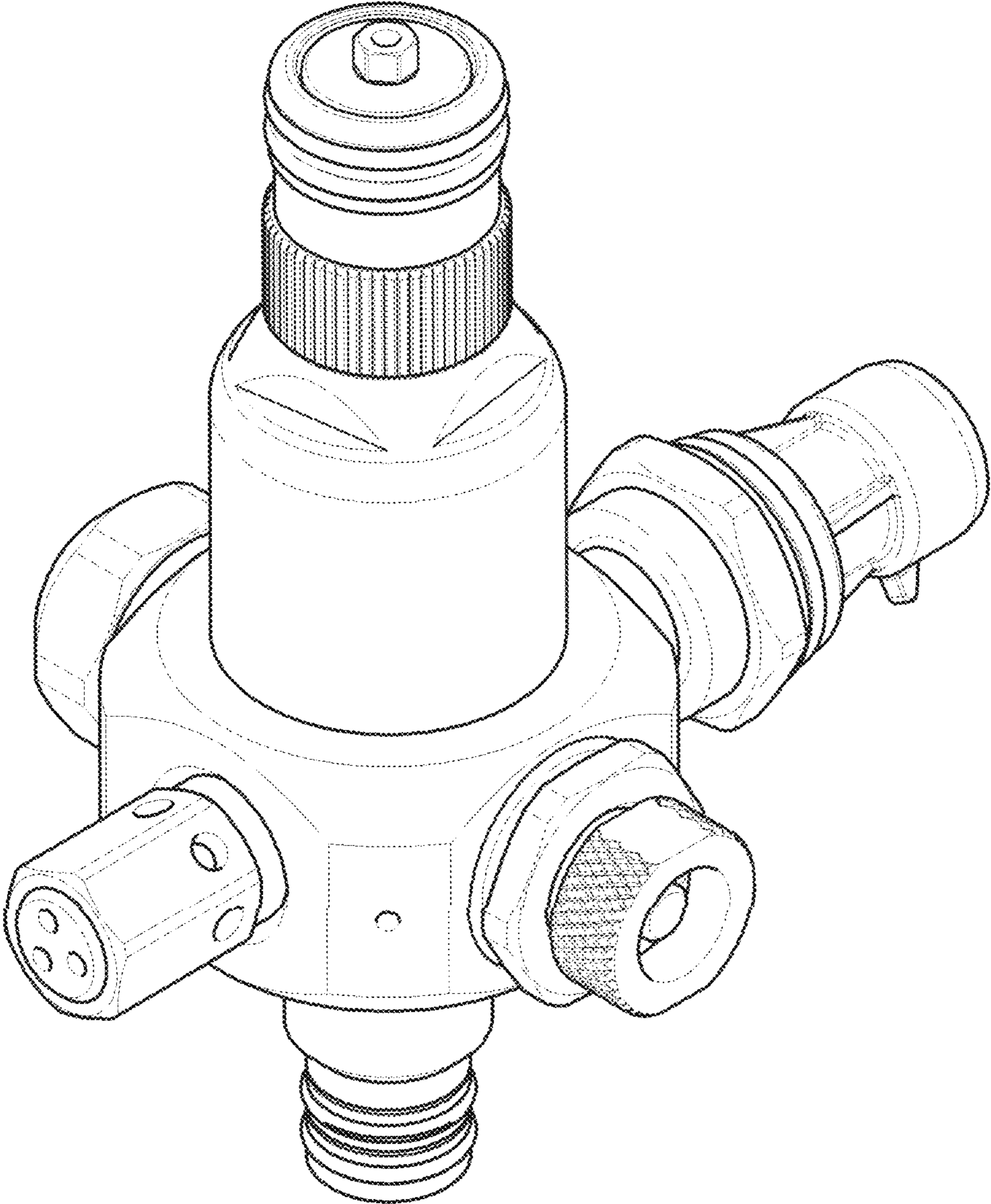


Figure 2

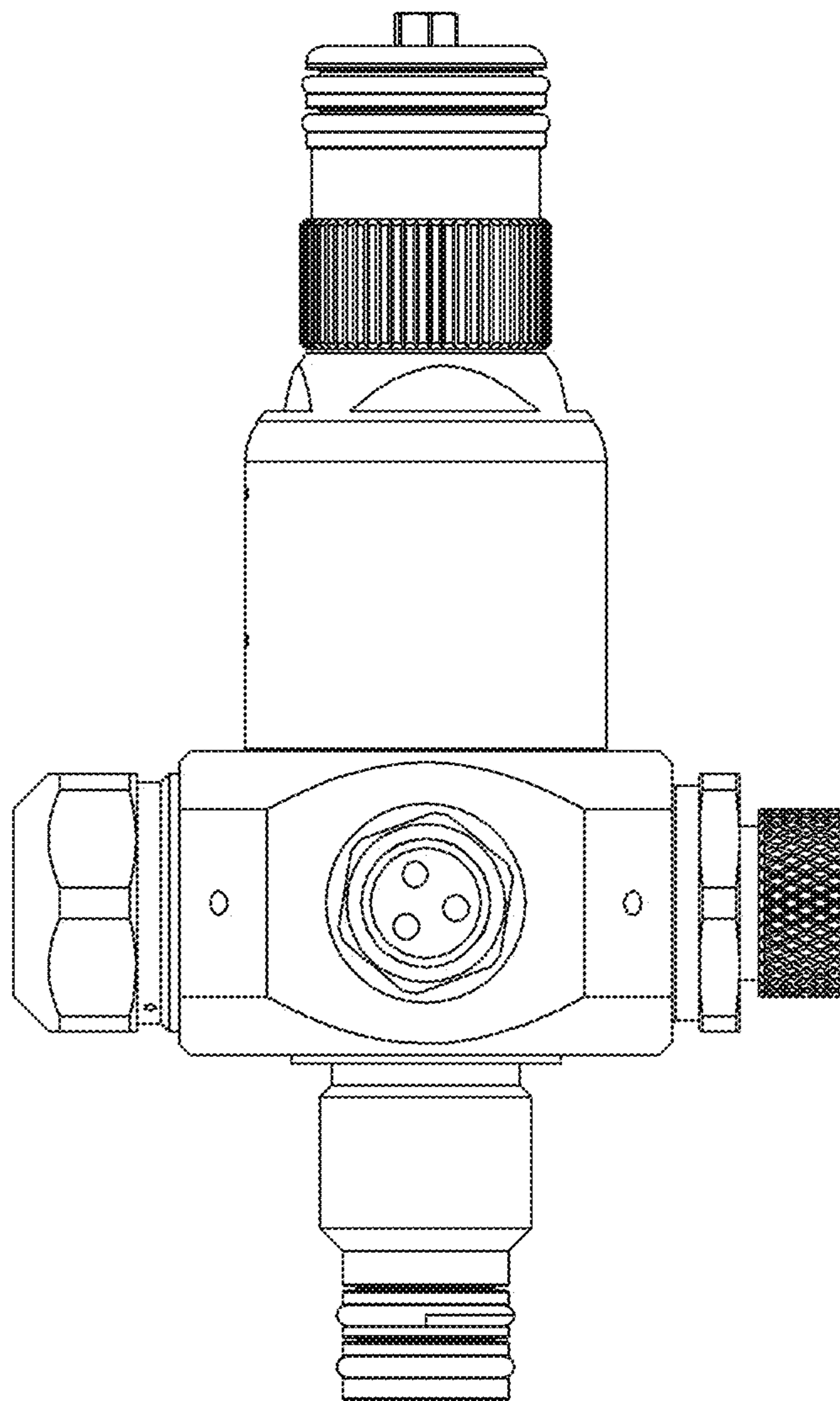


Figure 3

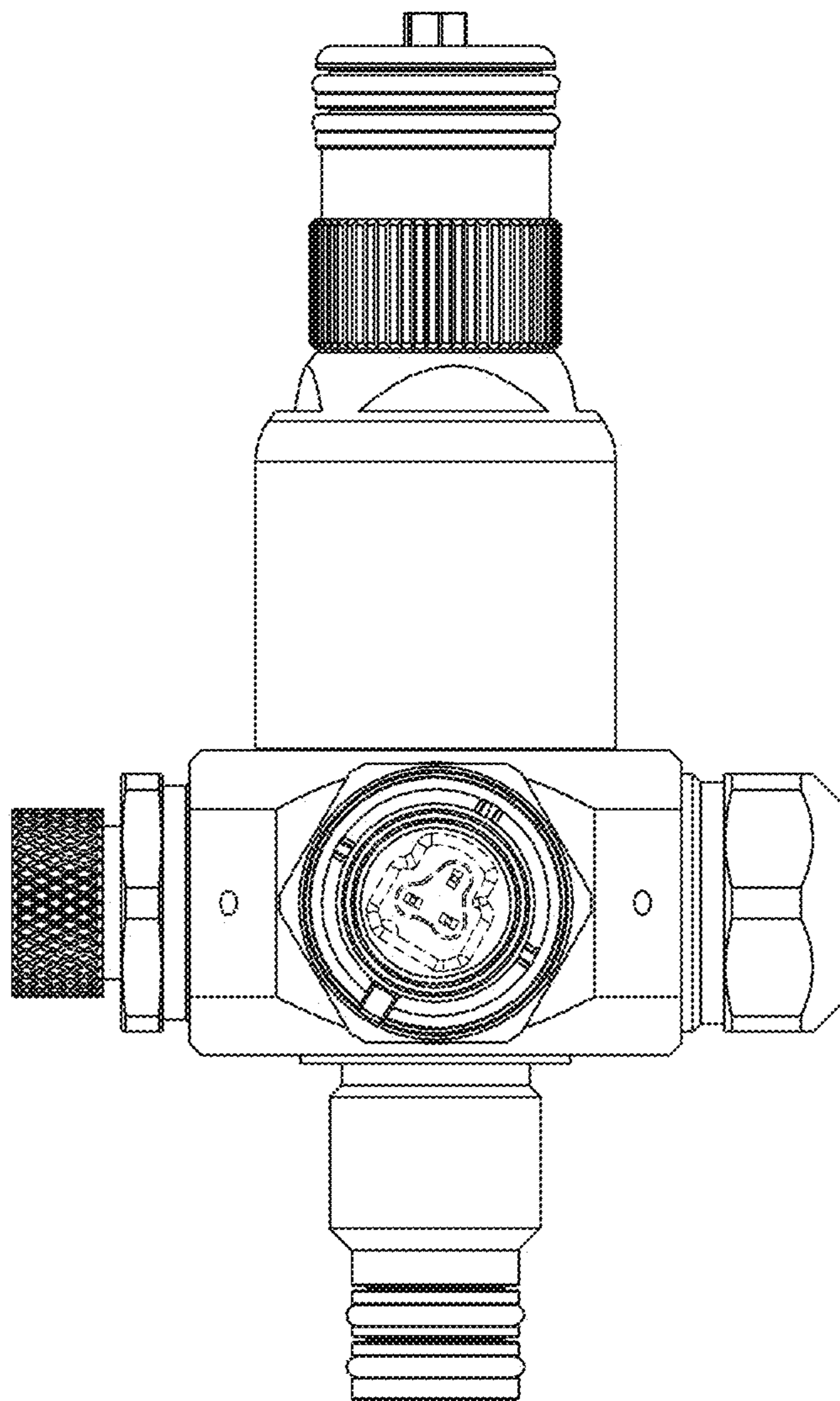


Figure 4

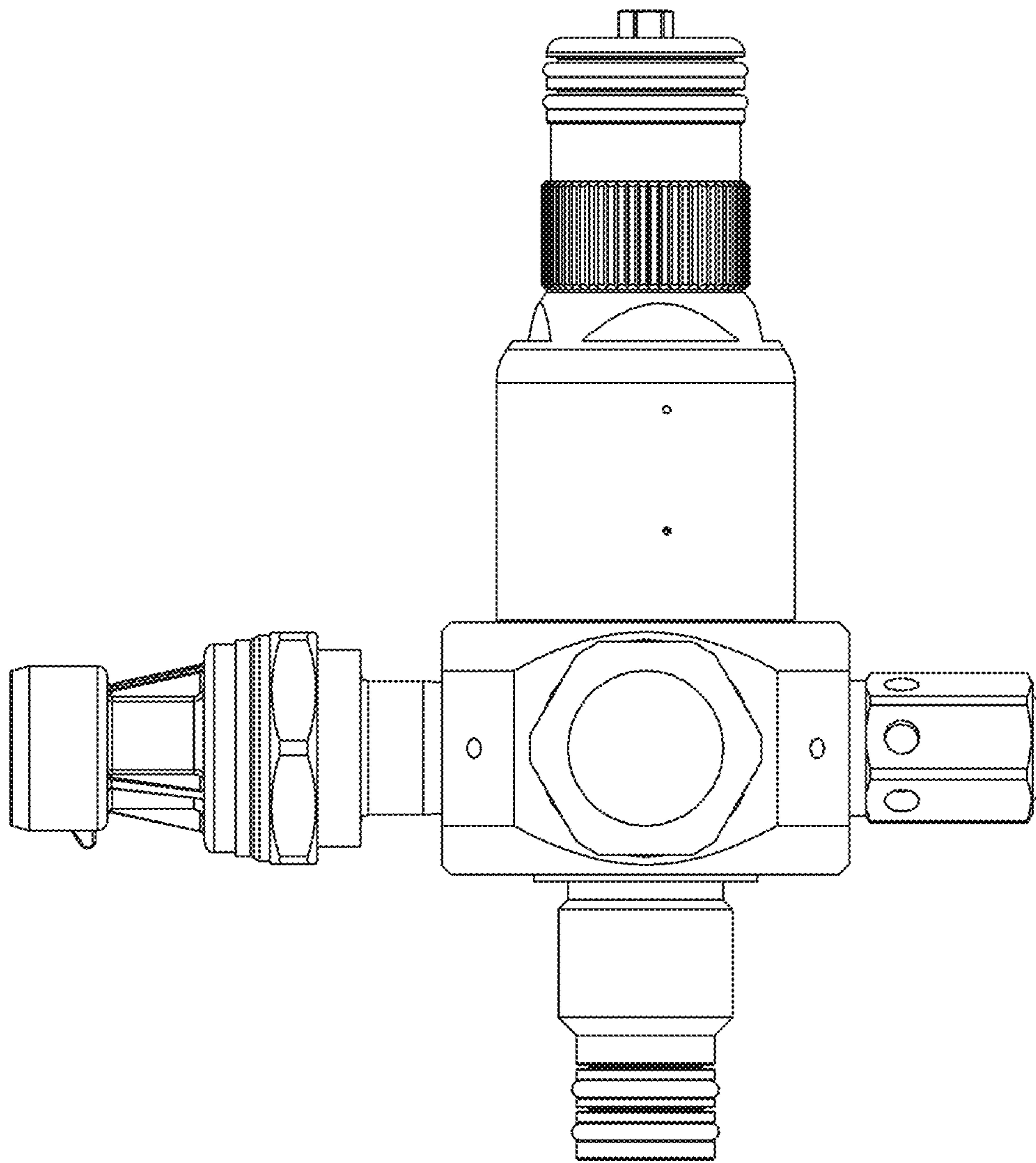


Figure 5

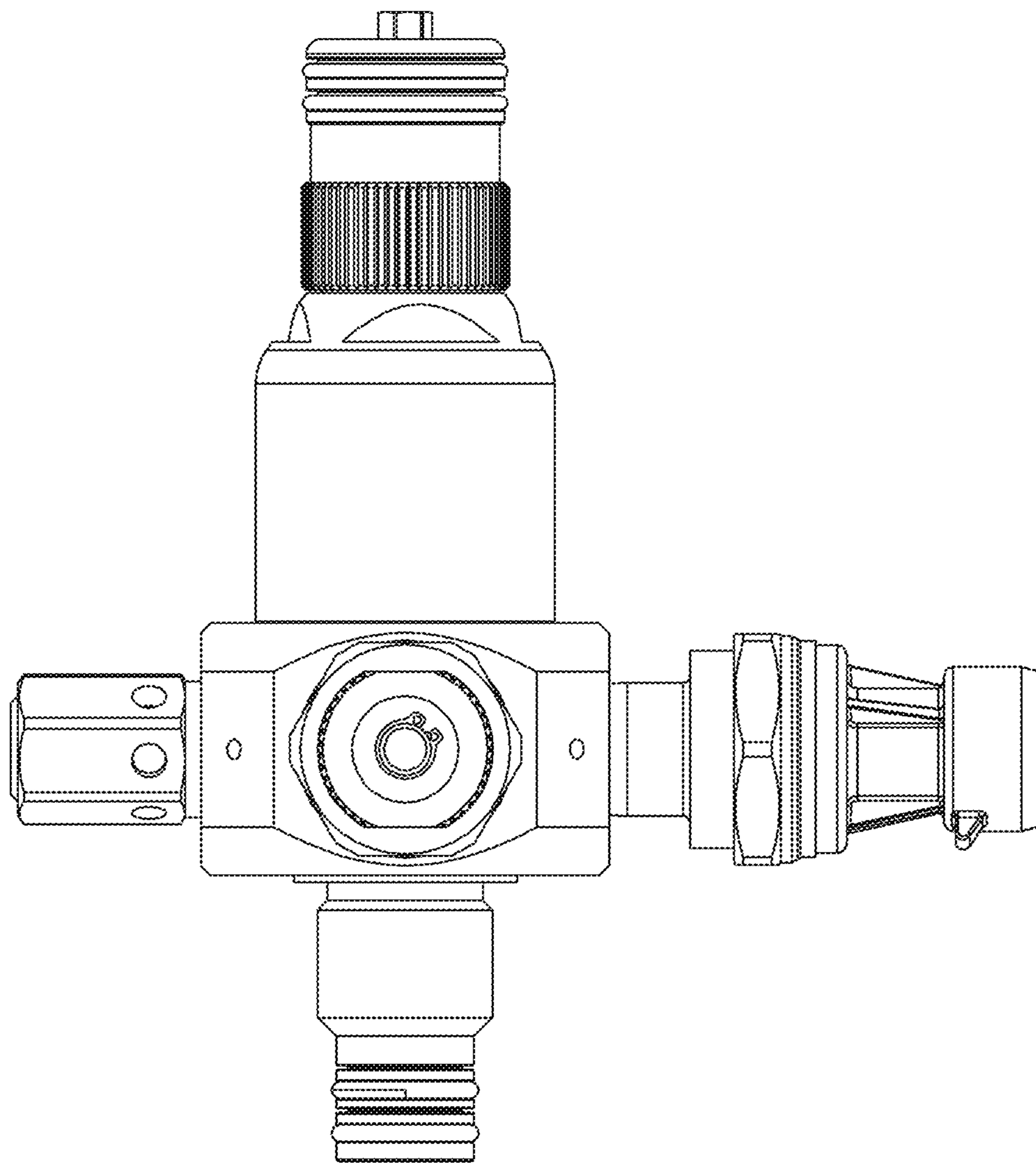


Figure 6

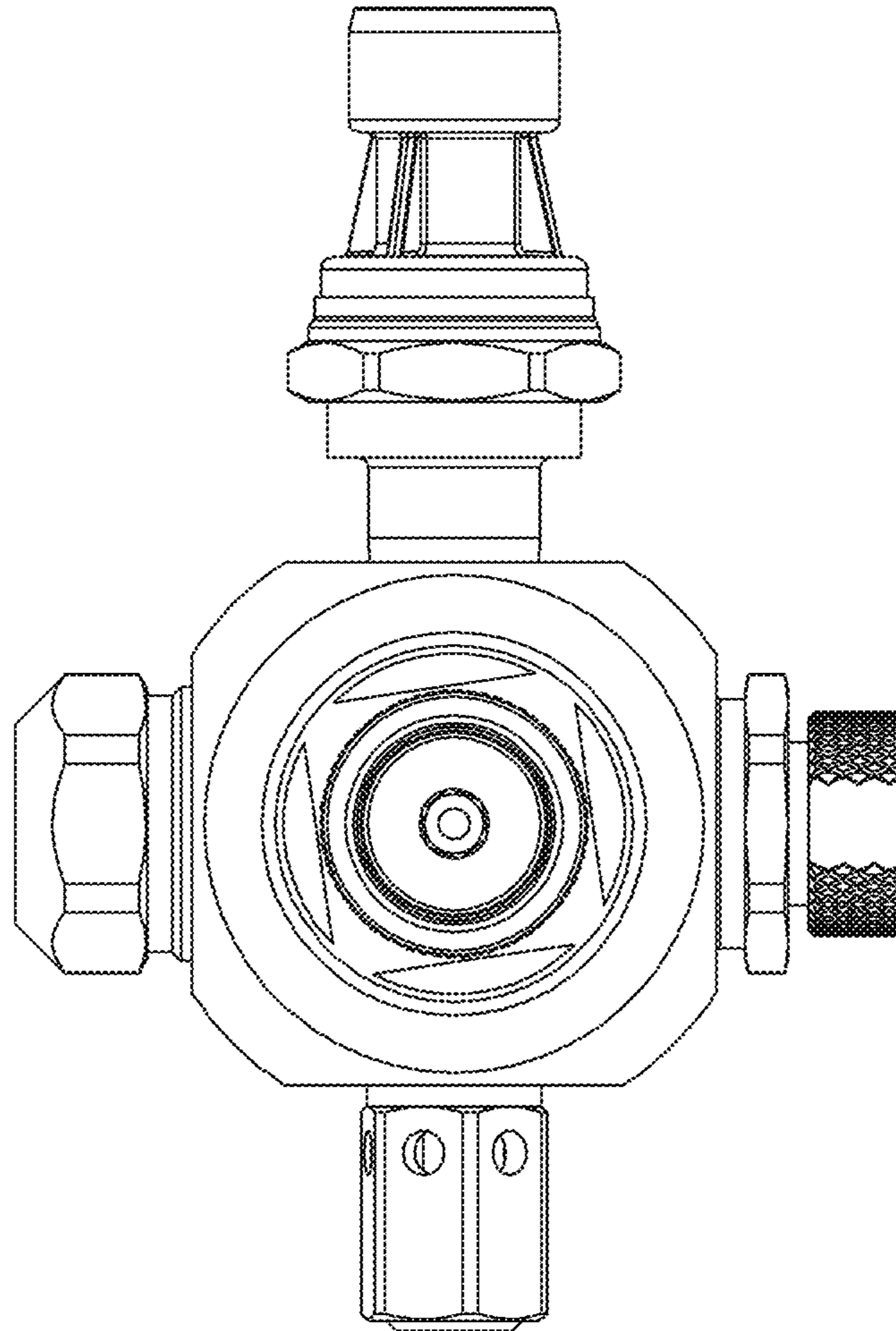


Figure 7

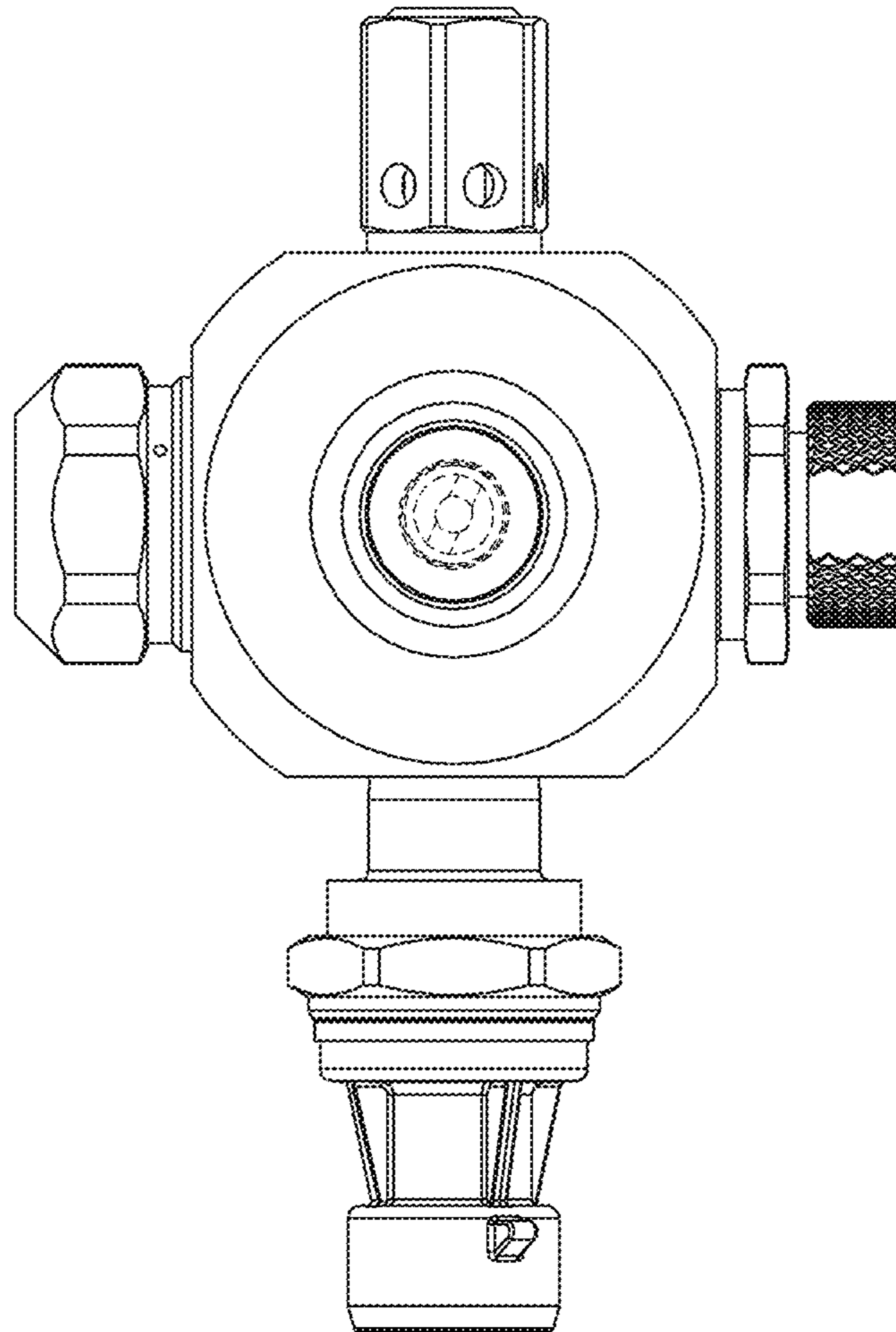


Figure 8

