



US00D928915S

(12) **United States Design Patent**  
**Okawara et al.**

(10) **Patent No.:** **US D928,915 S**

(45) **Date of Patent:** **\*\* Aug. 24, 2021**

(54) **FLOW SWITCH**

**DESCRIPTION**

- (71) Applicant: **SMC CORPORATION**, Tokyo (JP)
- (72) Inventors: **Takayoshi Okawara**, Nagareyama (JP);  
**Takahisa Miura**, Tsukubamirai (JP)
- (73) Assignee: **SMC CORPORATION**, Tokyo (JP)
- (\*\*) Term: **15 Years**
- (21) Appl. No.: **29/701,927**
- (22) Filed: **Aug. 15, 2019**
- (30) **Foreign Application Priority Data**  
Mar. 15, 2019 (CN) ..... 201930107958.4
- (51) **LOC (13) Cl.** ..... **23-01**
- (52) **U.S. Cl.**  
USPC ..... **D23/233**; D10/85; D10/96; D23/235
- (58) **Field of Classification Search**  
USPC ..... D10/85, 96; D23/233, 235  
(Continued)

(56) **References Cited**

**U.S. PATENT DOCUMENTS**

- D440,896 S 4/2001 Asai et al.
- D601,225 S \* 9/2009 Kurisaki ..... G01P 13/002  
D10/85

(Continued)

**FOREIGN PATENT DOCUMENTS**

- JP D1353444 S 3/2009

*Primary Examiner* — Antoine Duval Davis

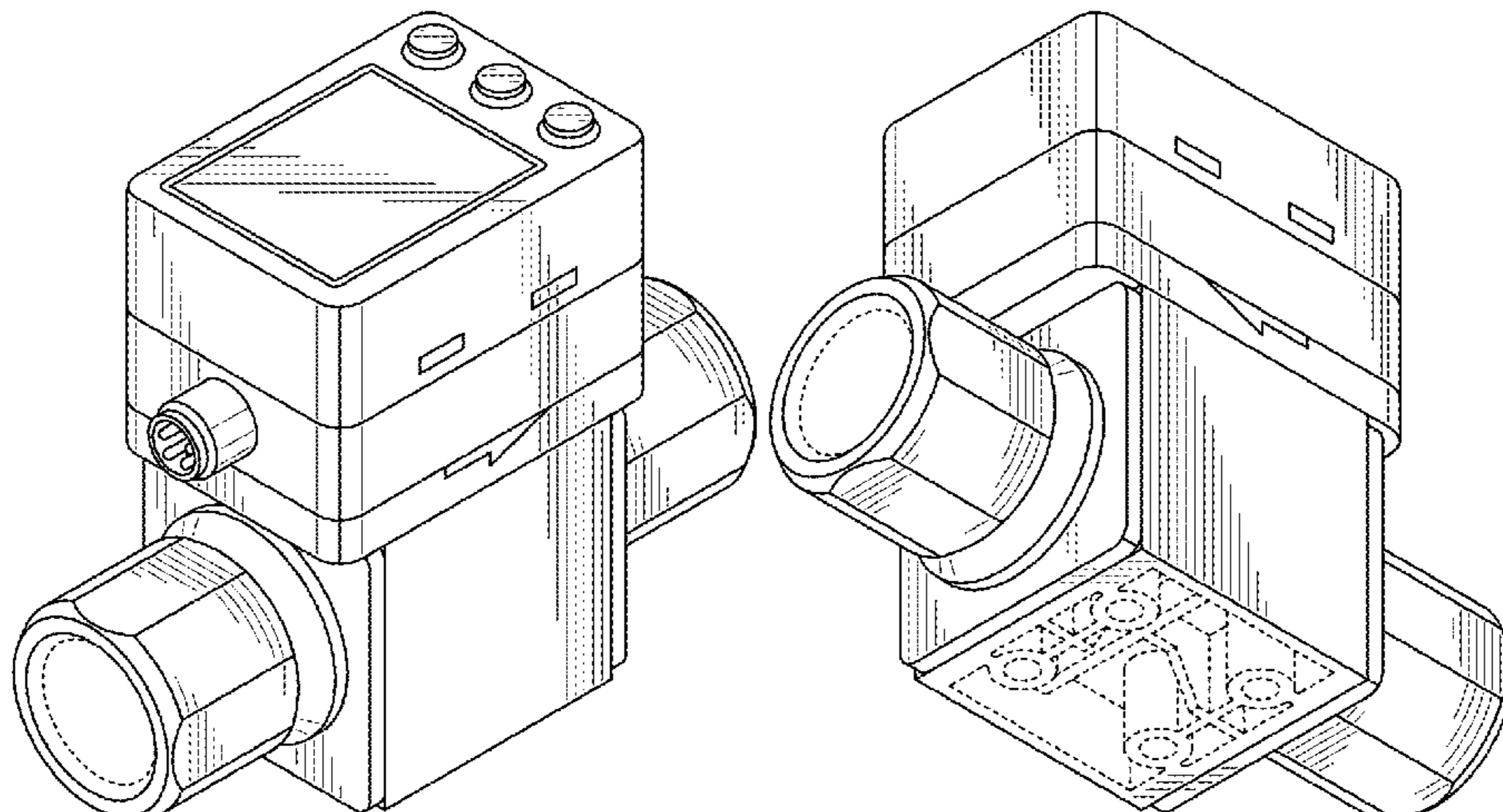
(74) *Attorney, Agent, or Firm* — Birch, Stewart, Kolasch & Birch, LLP

(57) **CLAIM**

The ornamental design for a flow switch, as shown and described.

FIG. 1 is a front, top and left side perspective view of a flow switch showing a first embodiment of our new design; FIG. 2 is a rear, bottom and right side perspective view thereof; FIG. 3 is a front view thereof; FIG. 4 is a rear view thereof; FIG. 5 is a top plan view thereof; FIG. 6 is a bottom plan view thereof; FIG. 7 is a left side view thereof; FIG. 8 is a right side view thereof; FIG. 9 is a front, top and left side perspective view of a flow switch showing a second embodiment of our new design; FIG. 10 is a rear, bottom and right side perspective view of FIG. 9; FIG. 11 is a front view of FIG. 9; FIG. 12 is a rear view of FIG. 9; FIG. 13 is a top plan view of FIG. 9; FIG. 14 is a bottom plan view of FIG. 9; FIG. 15 is a left side view of FIG. 9; FIG. 16 is a right side view of FIG. 9; FIG. 17 is a front, top and left side perspective view of a flow switch showing a third embodiment of our new design; FIG. 18 is a rear, bottom and right side perspective view of FIG. 17; FIG. 19 is a front view of FIG. 17; FIG. 20 is a rear view of FIG. 17; FIG. 21 is a top plan view of FIG. 17; FIG. 22 is a bottom plan view of FIG. 17; FIG. 23 is a left side view of FIG. 17; FIG. 24 is a right side view of FIG. 17; FIG. 25 is a front, top and left side perspective view of a flow switch showing a fourth embodiment of our new design; FIG. 26 is a rear, bottom and right side perspective view of FIG. 25; FIG. 27 is a front view of FIG. 25; FIG. 28 is a rear view of FIG. 25; FIG. 29 is a top plan view of FIG. 25; FIG. 30 is a bottom plan view of FIG. 25; FIG. 31 is a left side view of FIG. 25; and, FIG. 32 is a right side view of FIG. 25. The broken lines depict portions of the flow switch that form no part of the claimed design.

**1 Claim, 32 Drawing Sheets**



(58) **Field of Classification Search**

CPC .... G01P 13/002; G01P 13/0013; G01F 1/662;  
G01F 1/667; G01F 15/14; H01H 35/02;  
H01H 35/24; H01H 35/40; Y10T  
137/8326

See application file for complete search history.

(56) **References Cited**

U.S. PATENT DOCUMENTS

D602,795	S	10/2009	Oshima	
D603,341	S *	11/2009	Kawakami .....	D13/158
D606,164	S *	12/2009	Kawakami .....	D23/233
D610,233	S *	2/2010	Kurisasi .....	D23/233
D752,461	S	3/2016	Oshima et al.	
2009/0167540	A1 *	7/2009	Struyk .....	G01P 13/002 340/610

\* cited by examiner

FIG. 1

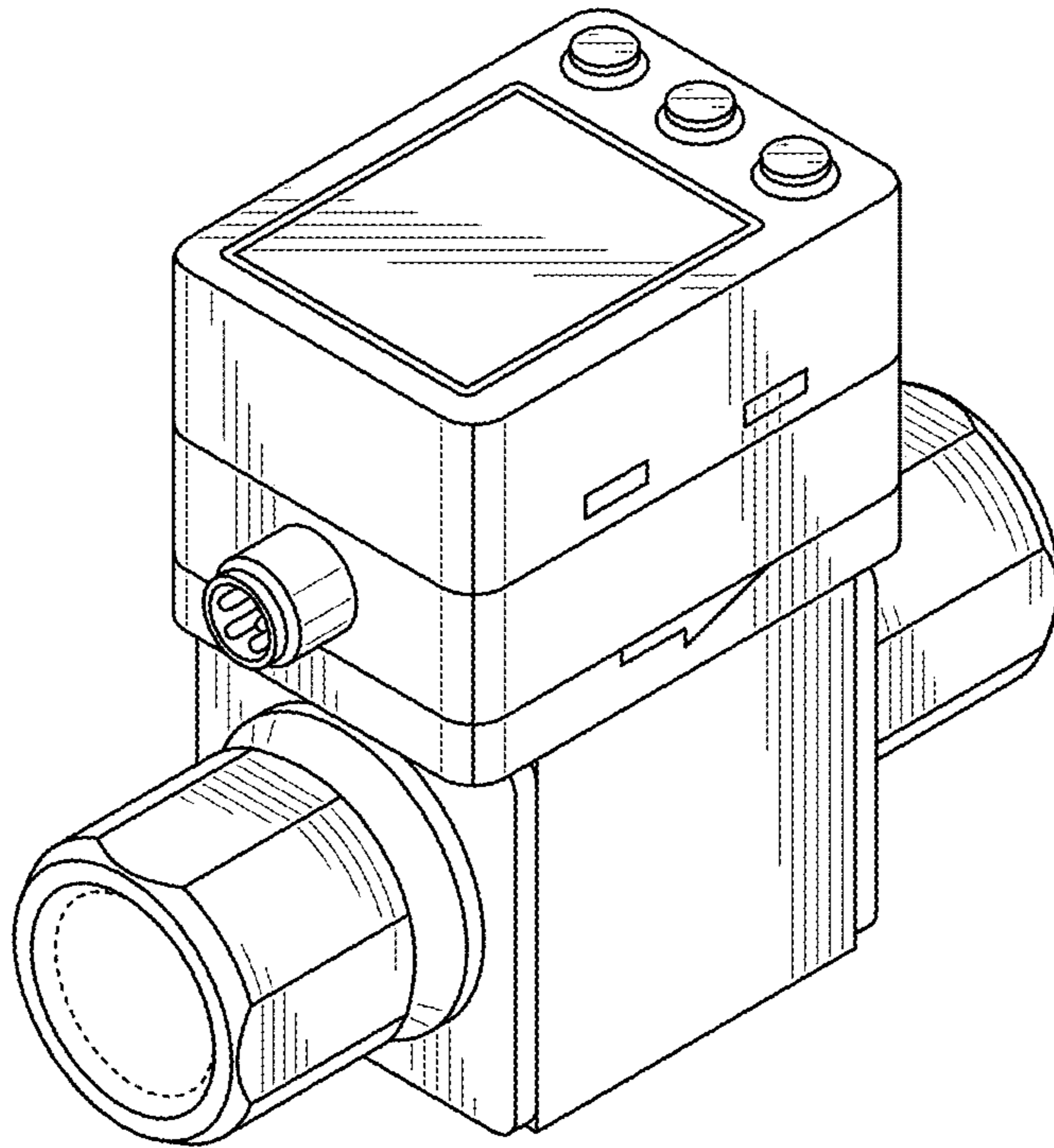


FIG. 2

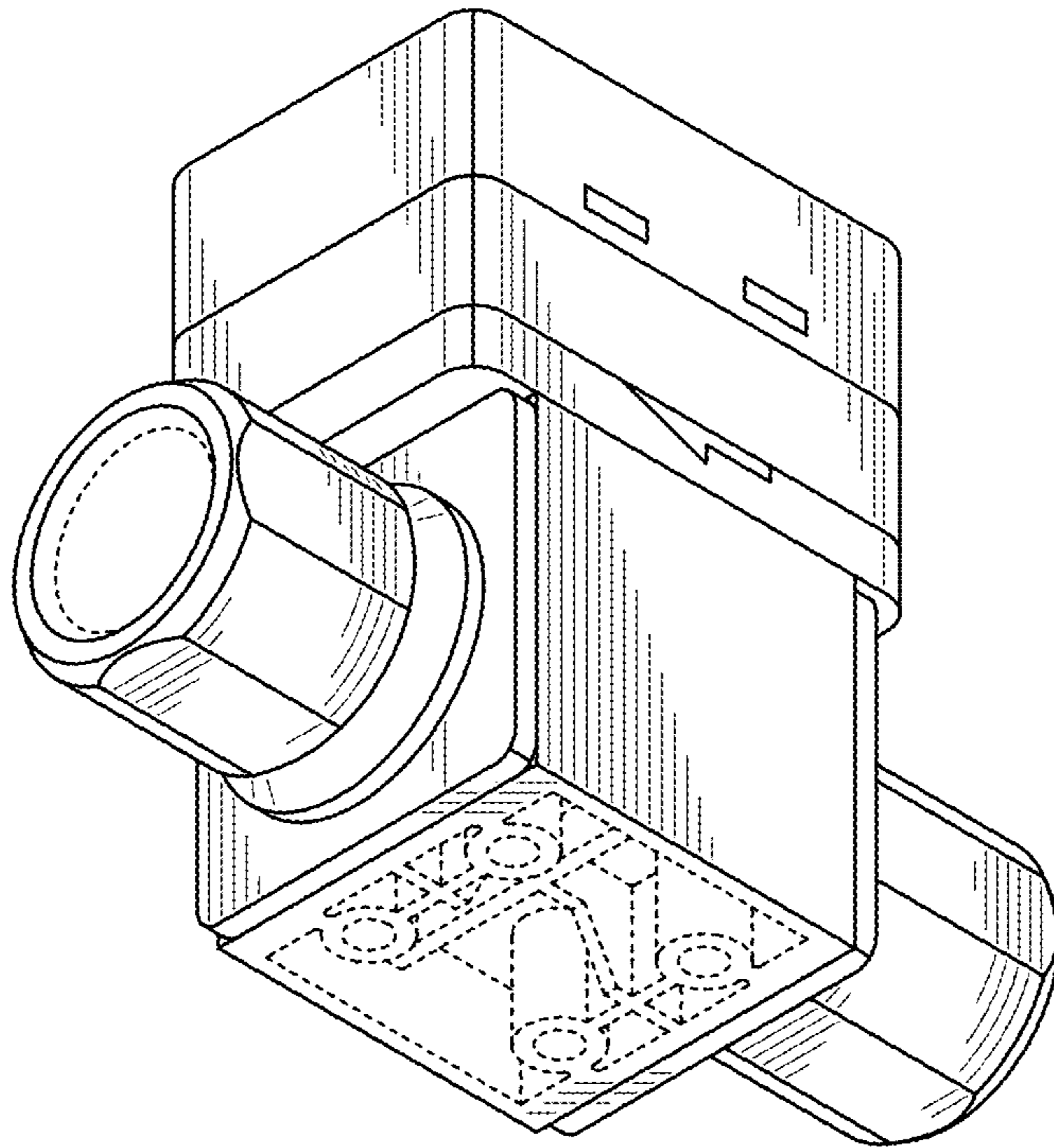


FIG. 3

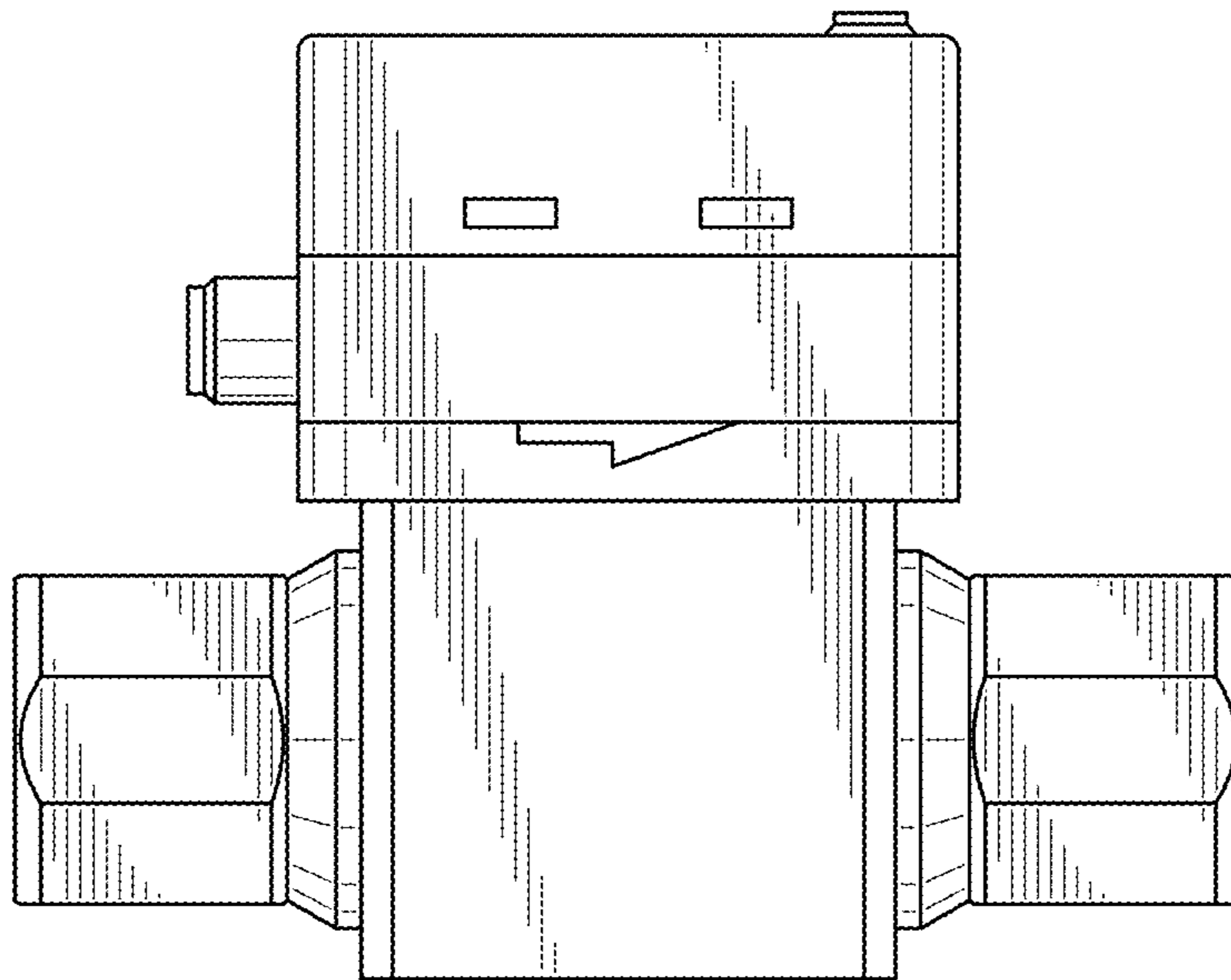


FIG. 4

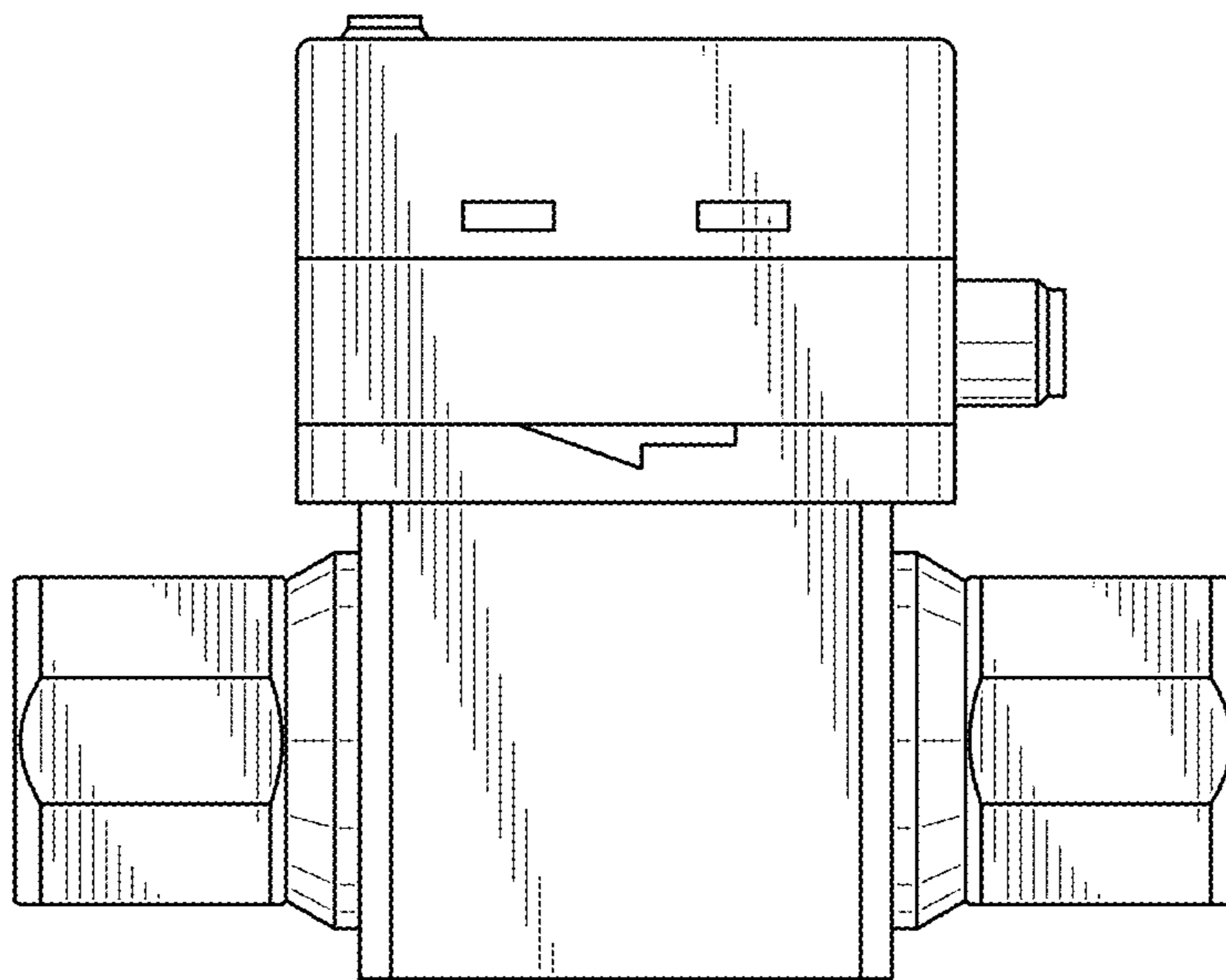


FIG. 5

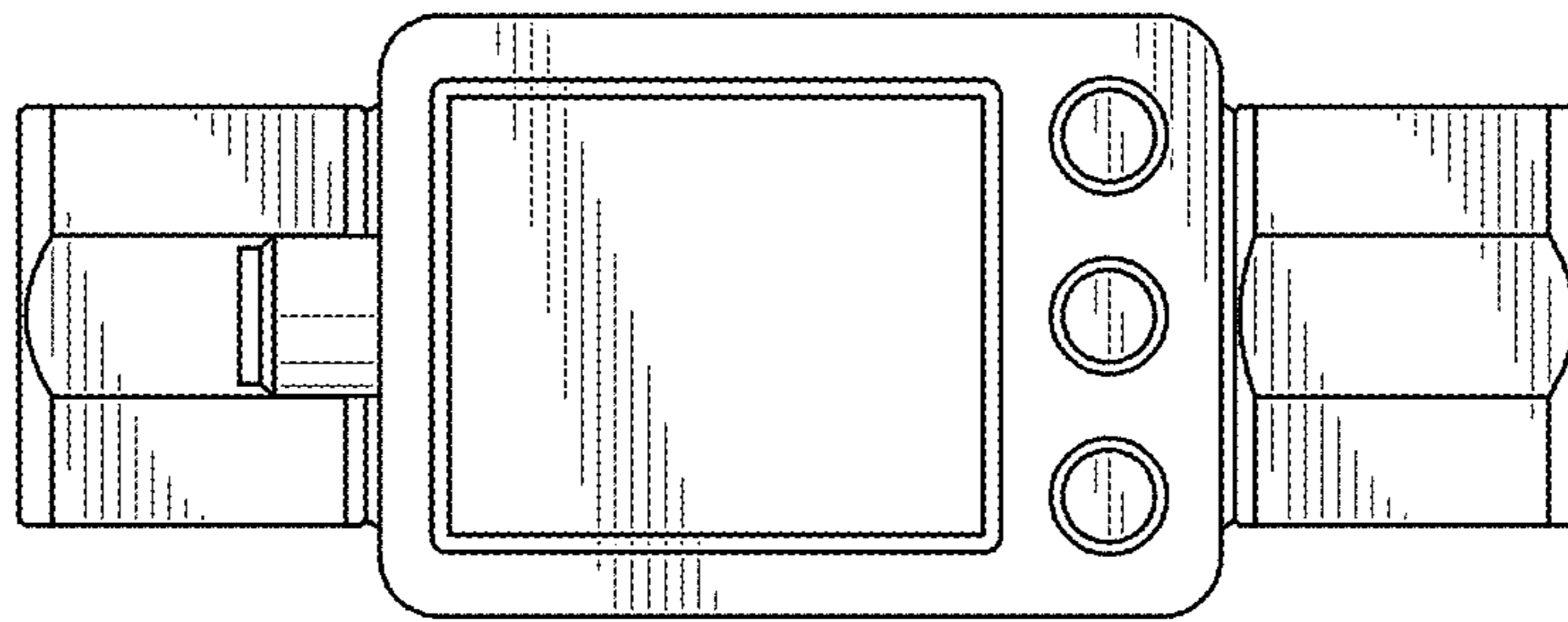


FIG. 6

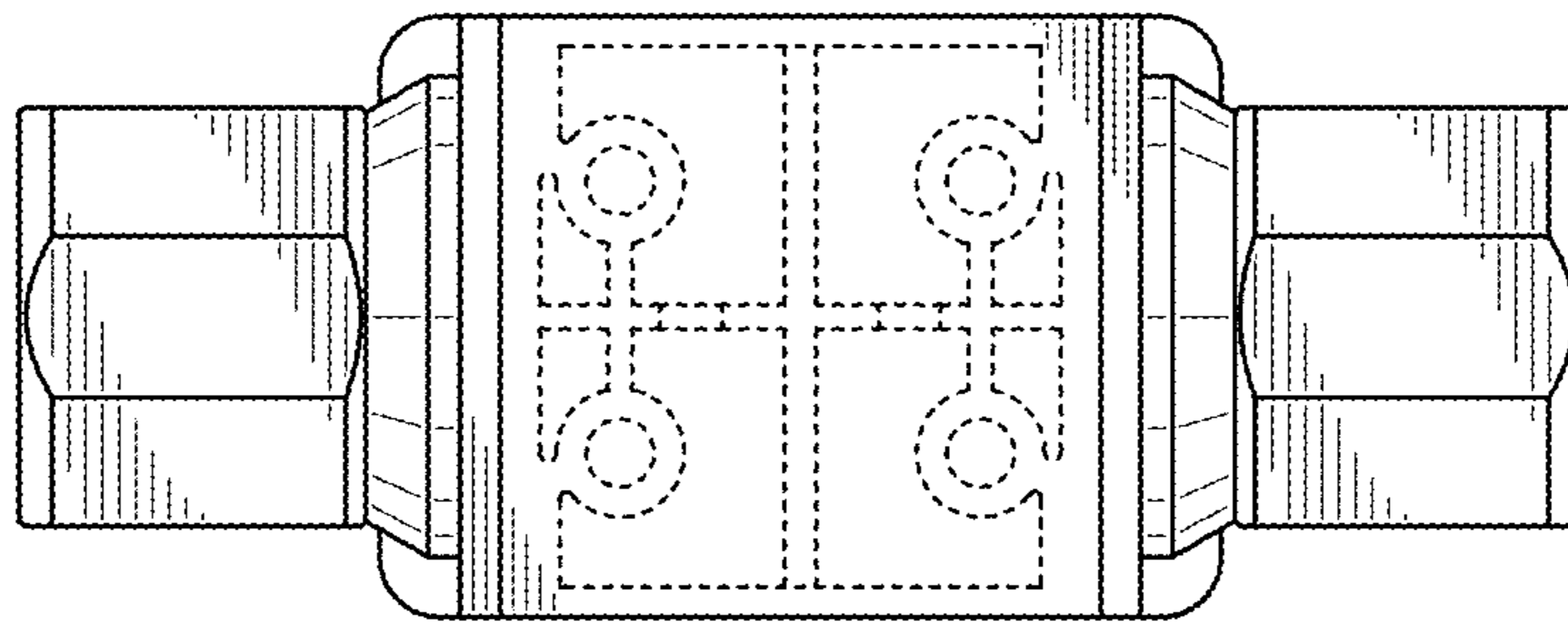




FIG. 7

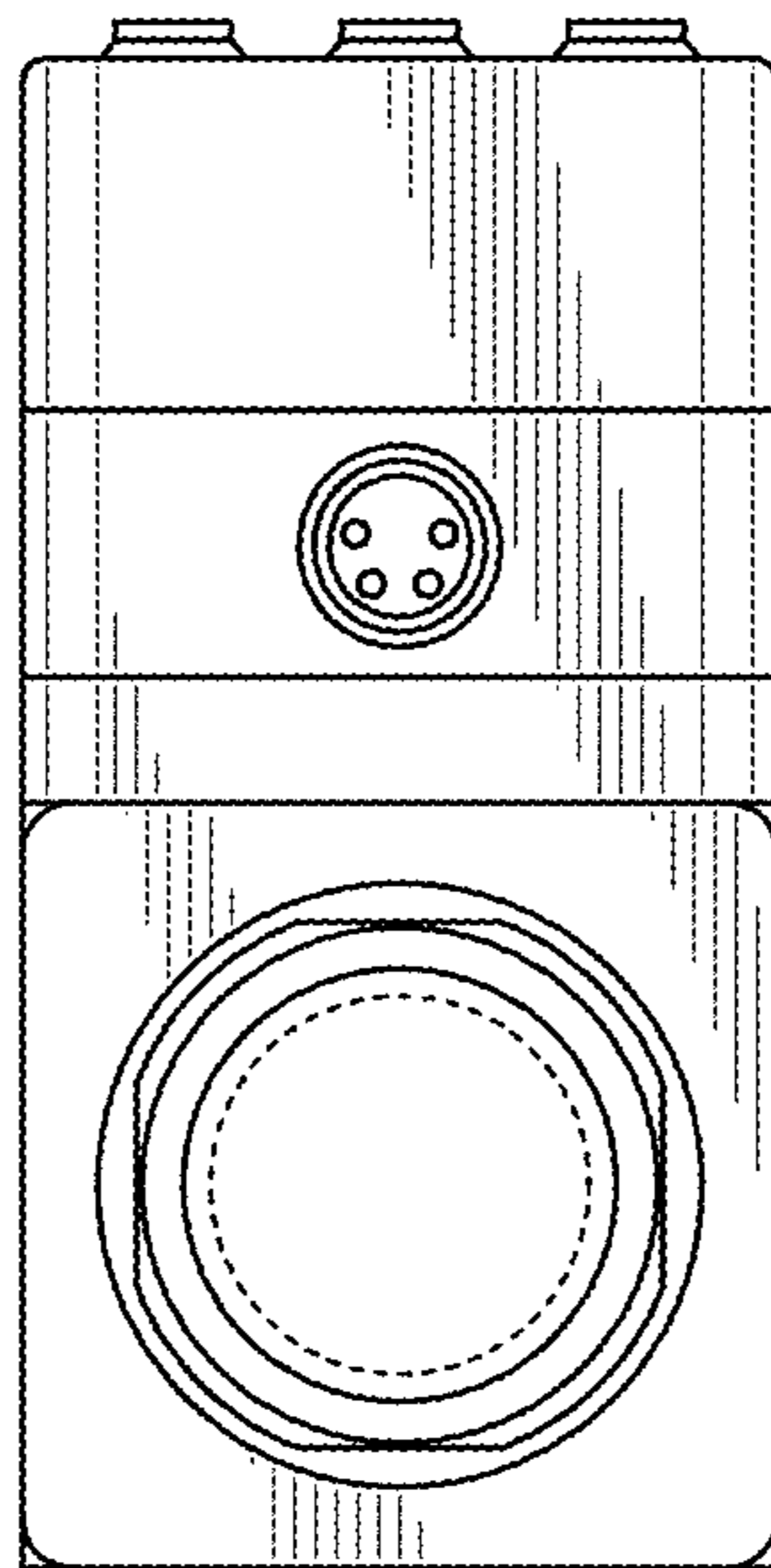


FIG. 8

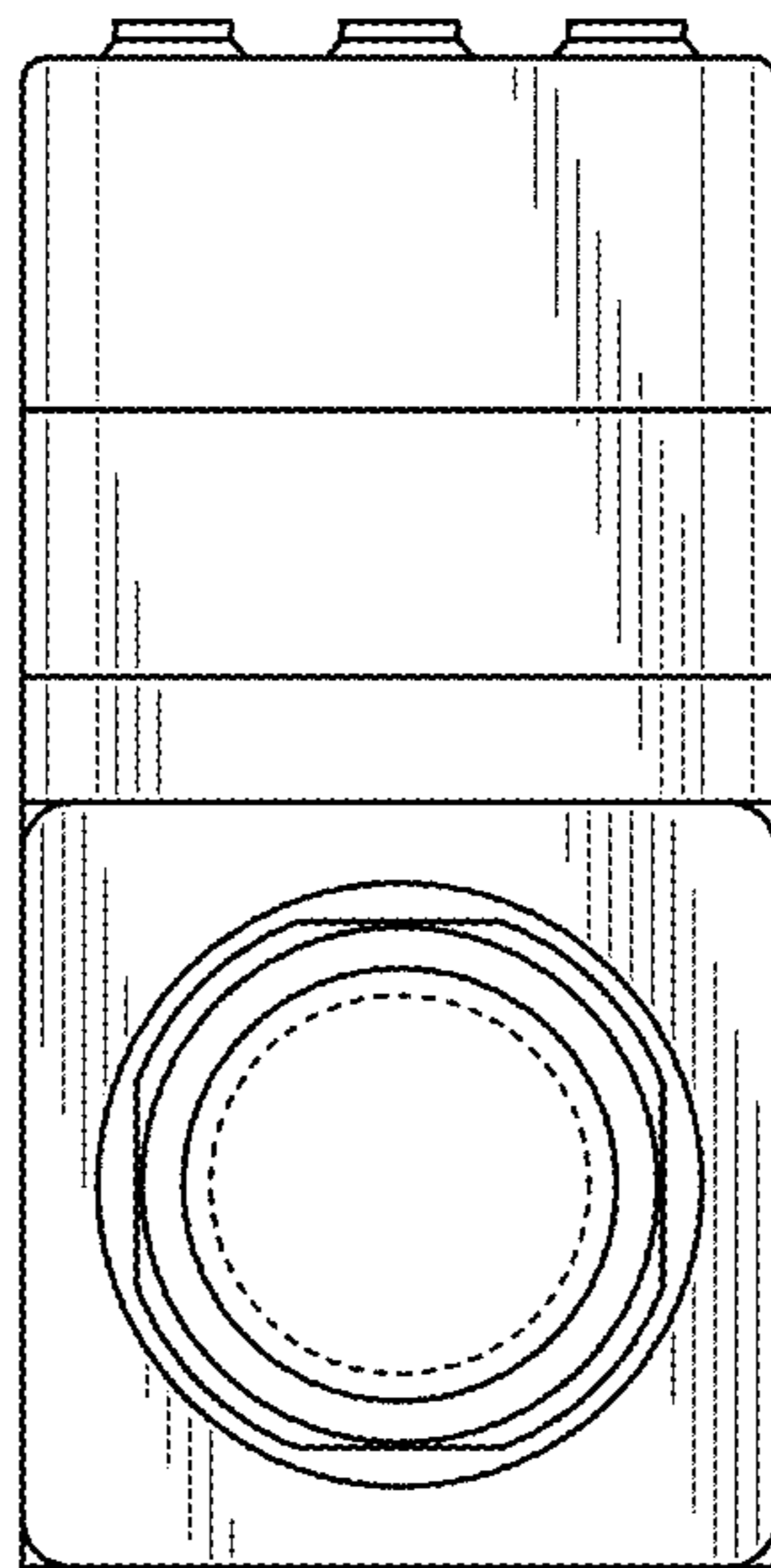


FIG. 9

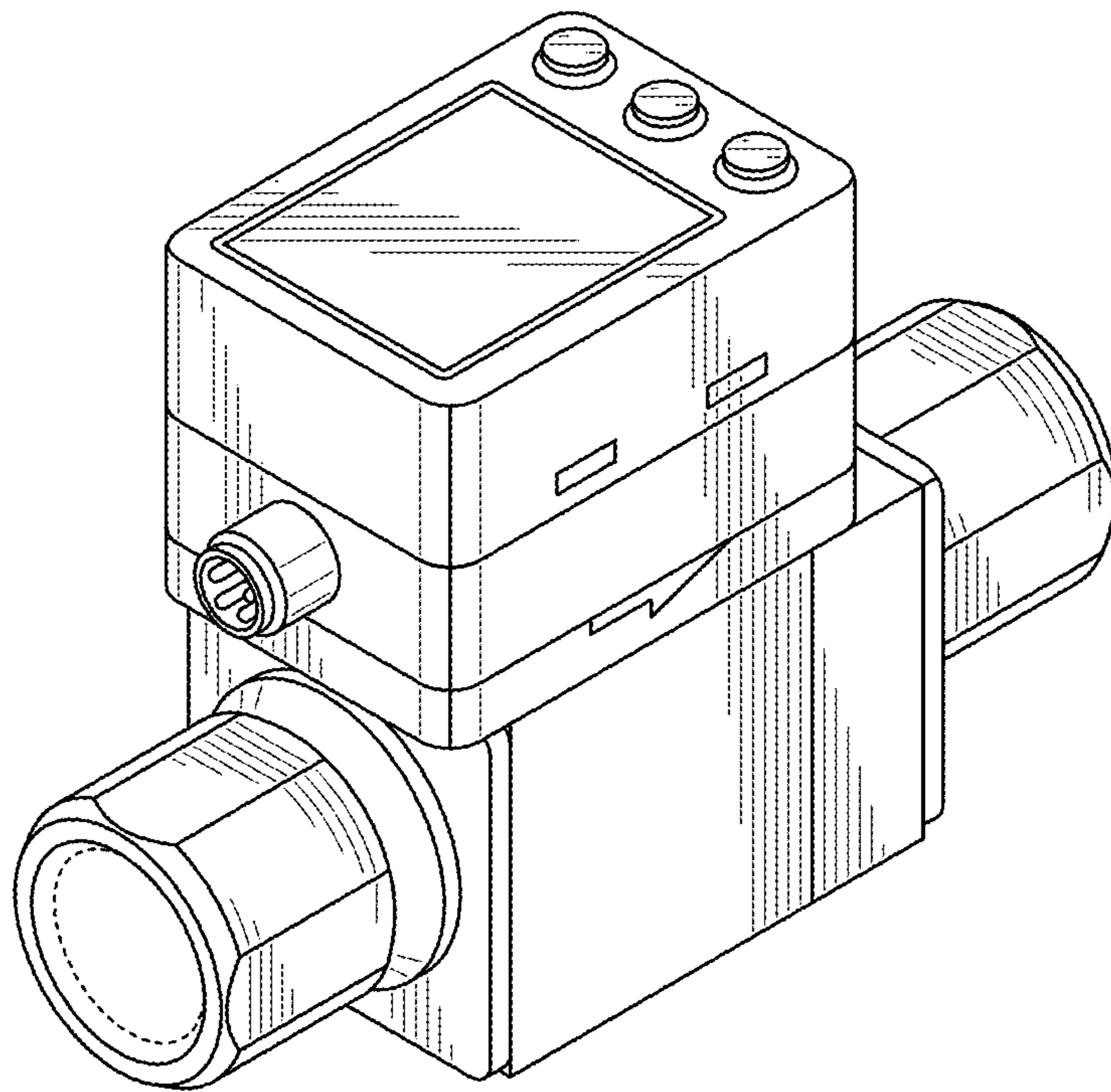


FIG. 10

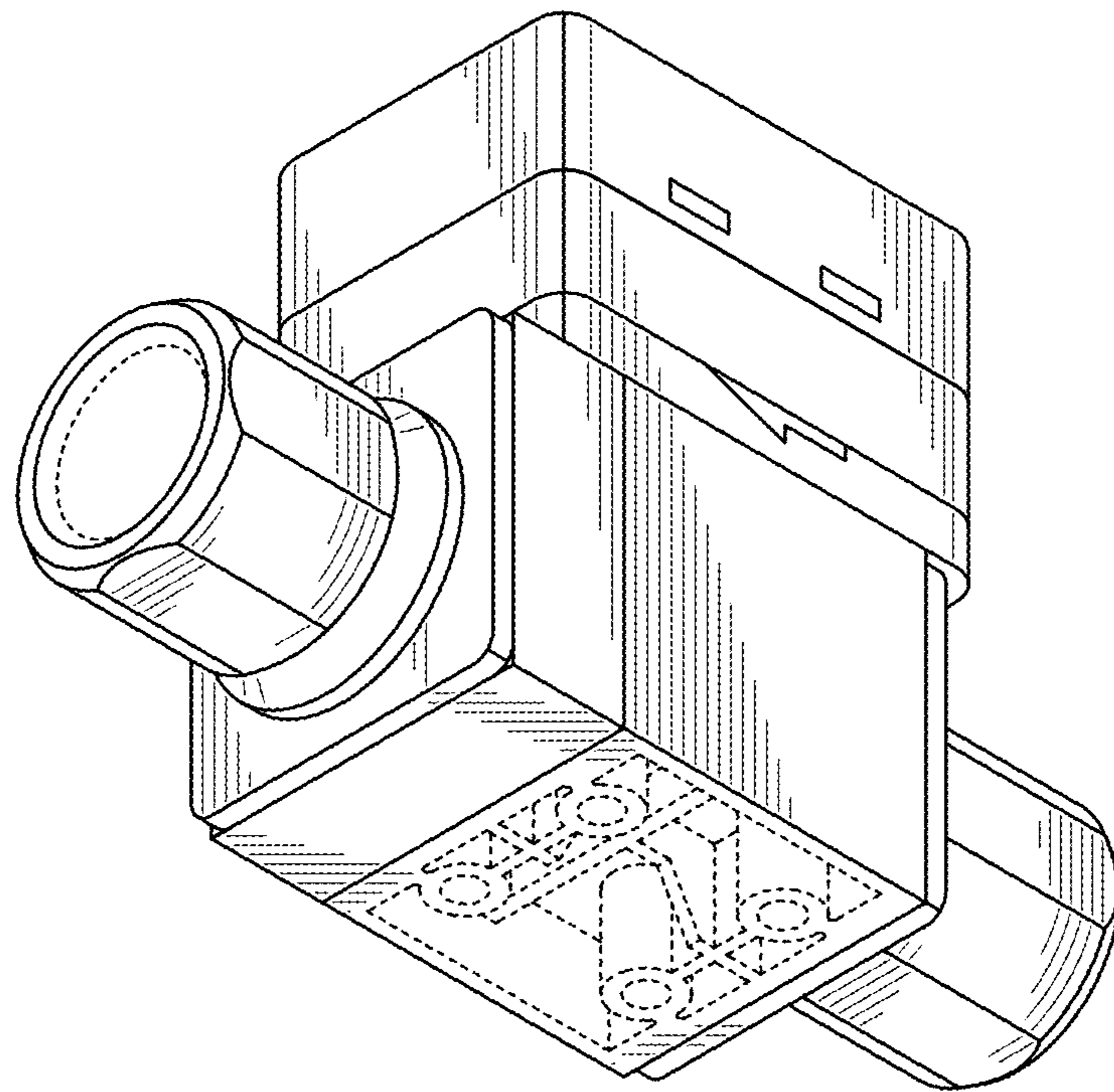


FIG. 11

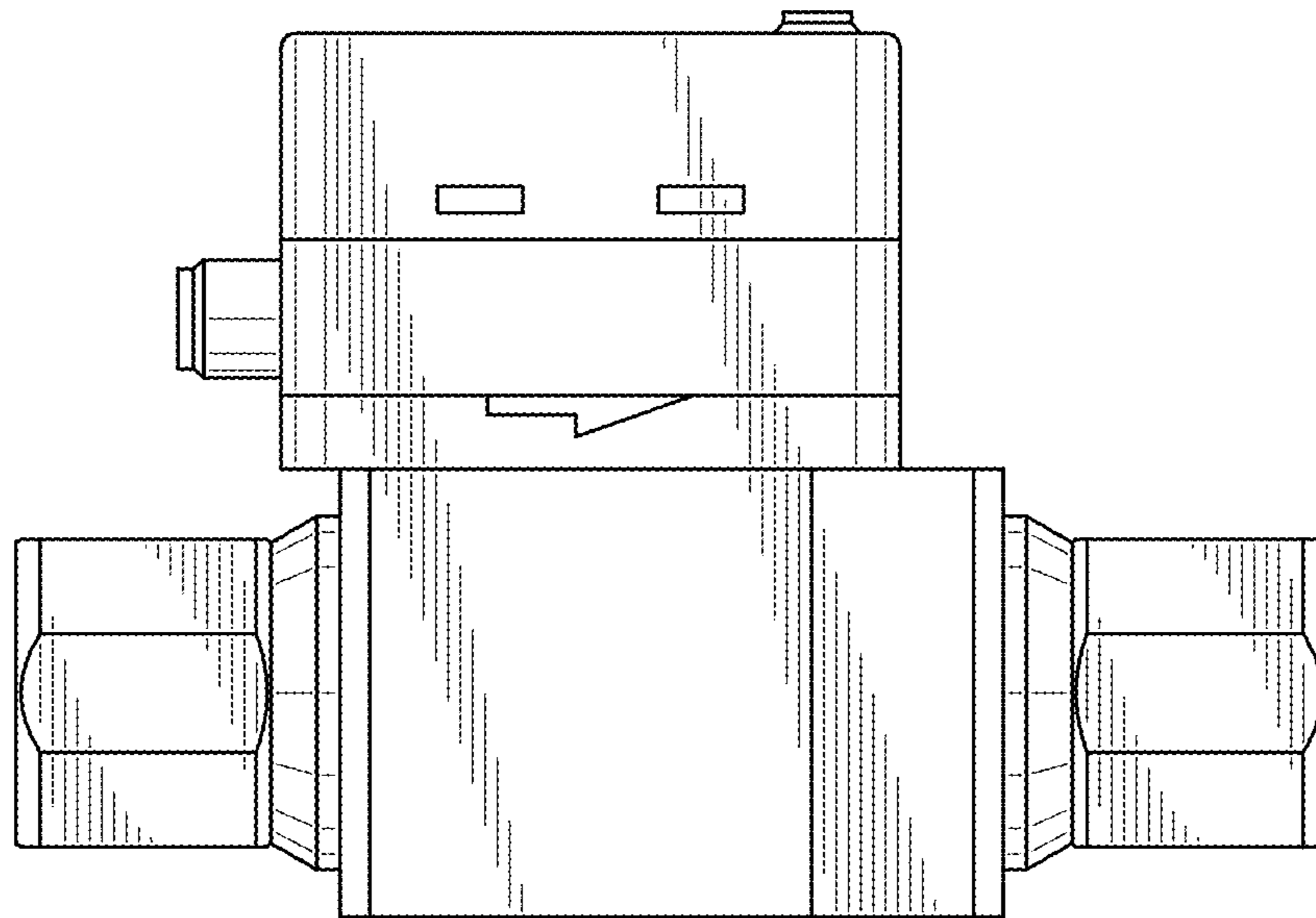


FIG. 12

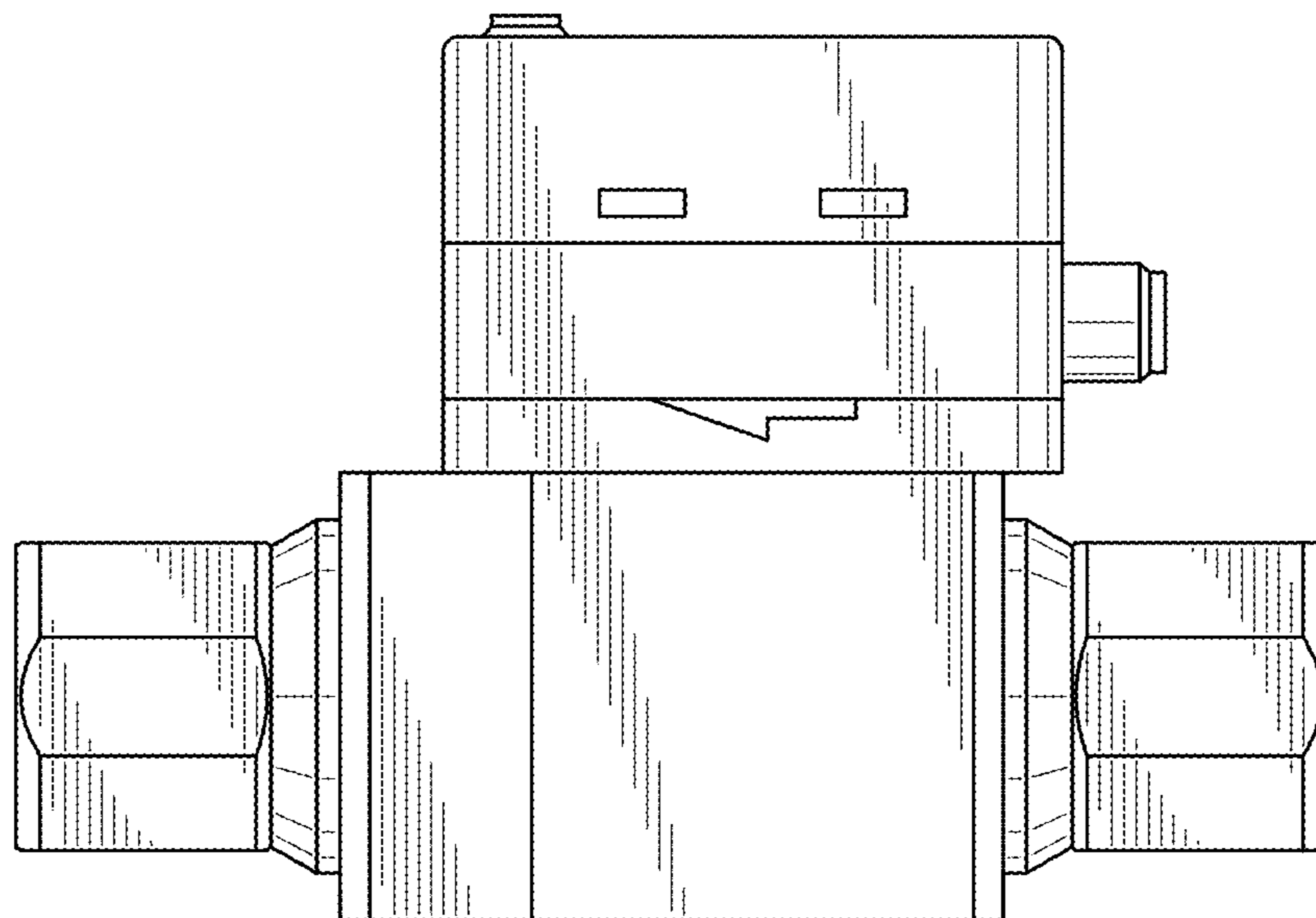


FIG. 13

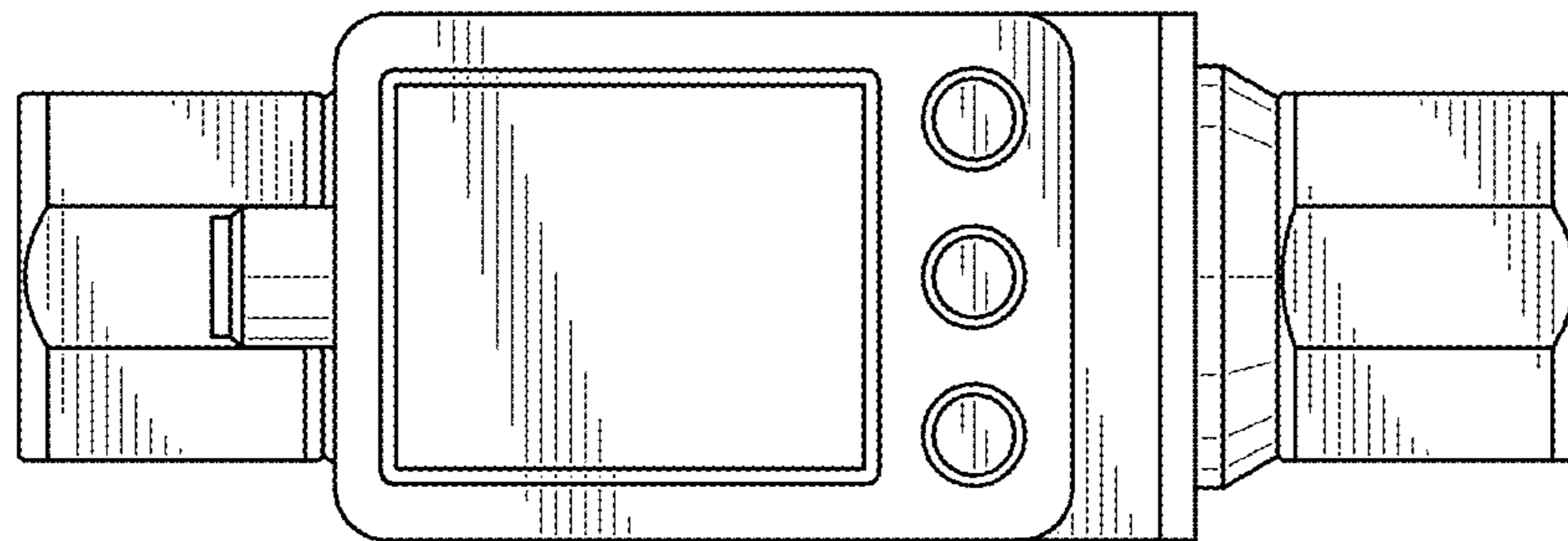


FIG. 14

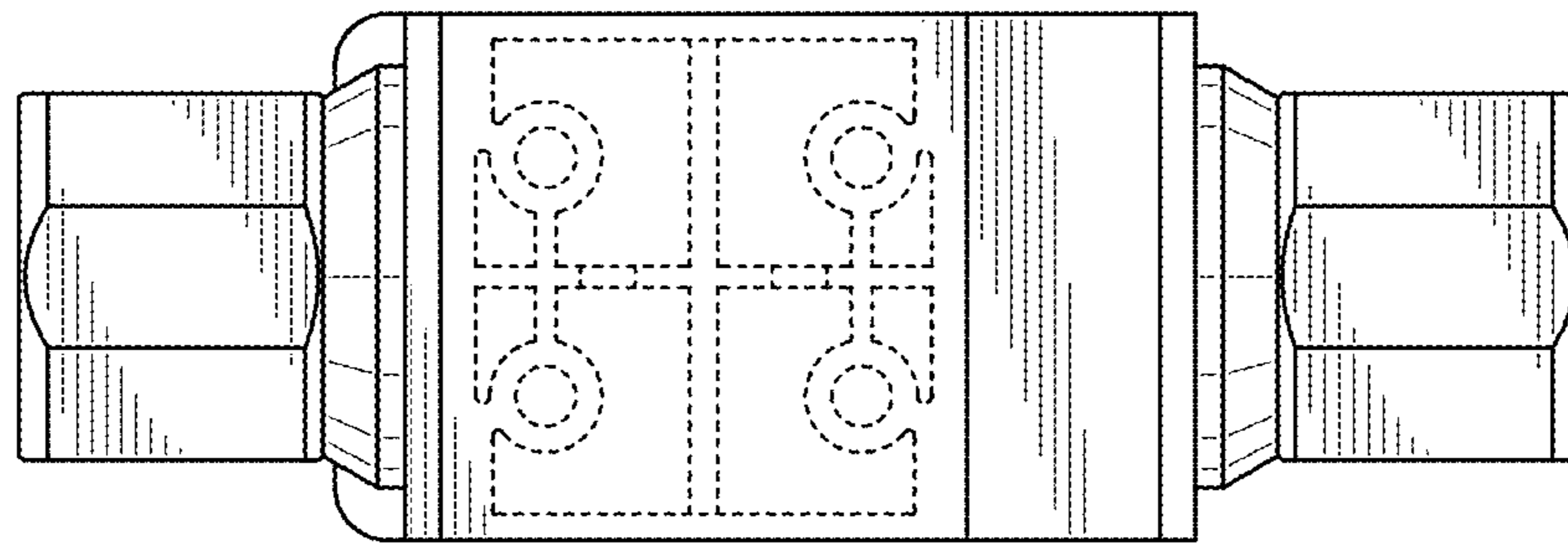




FIG. 15

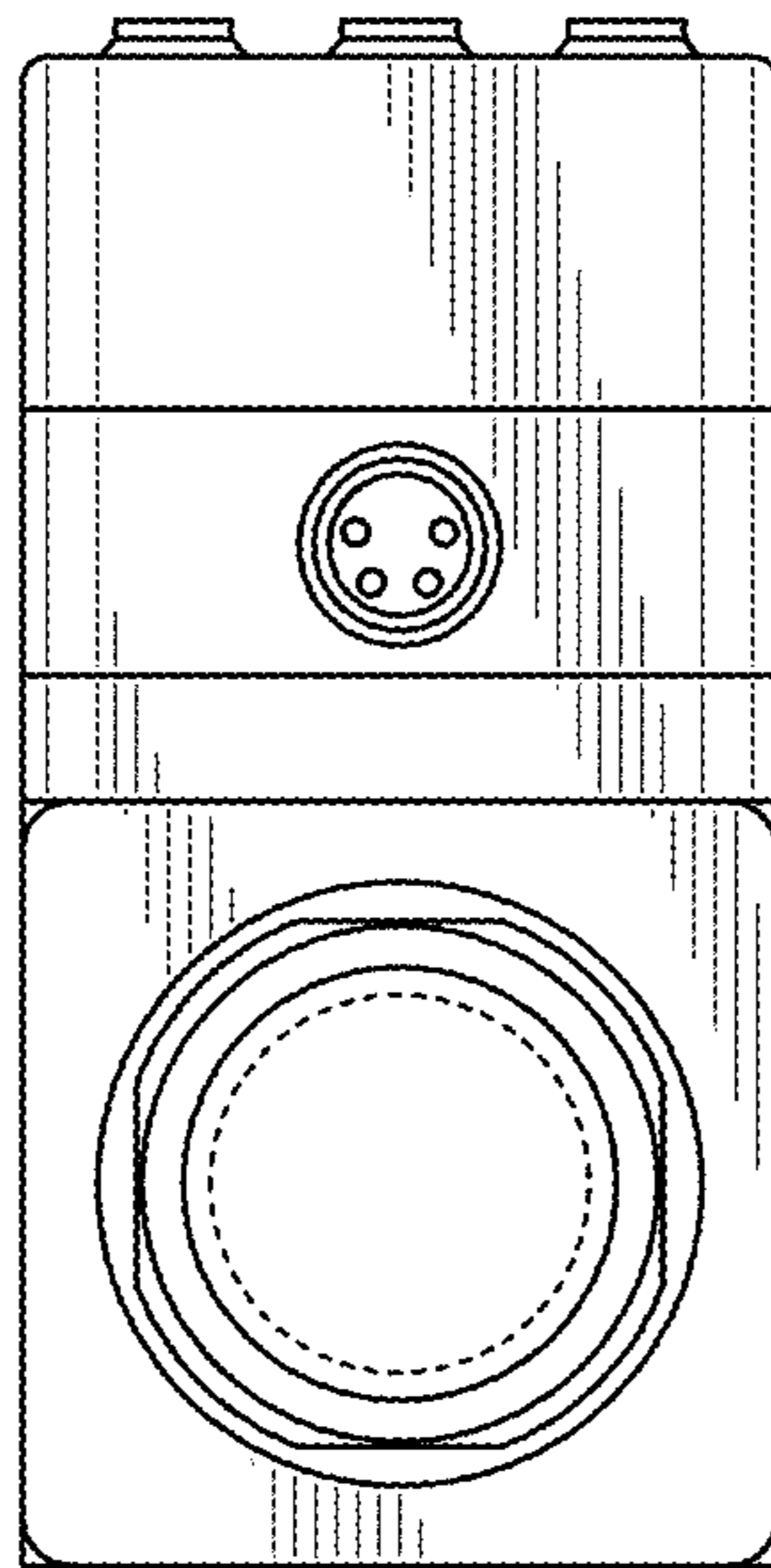


FIG. 16

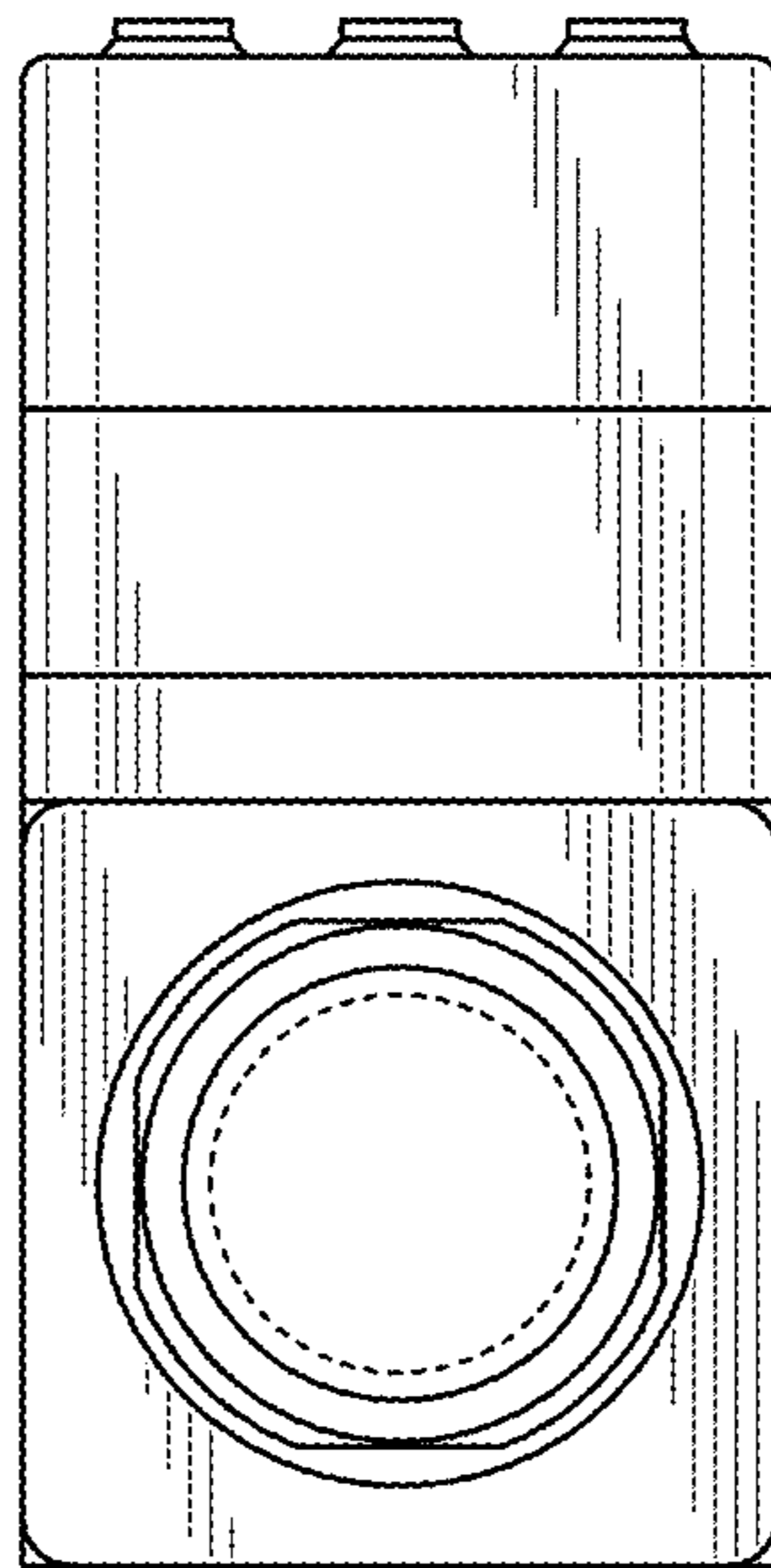


FIG. 17

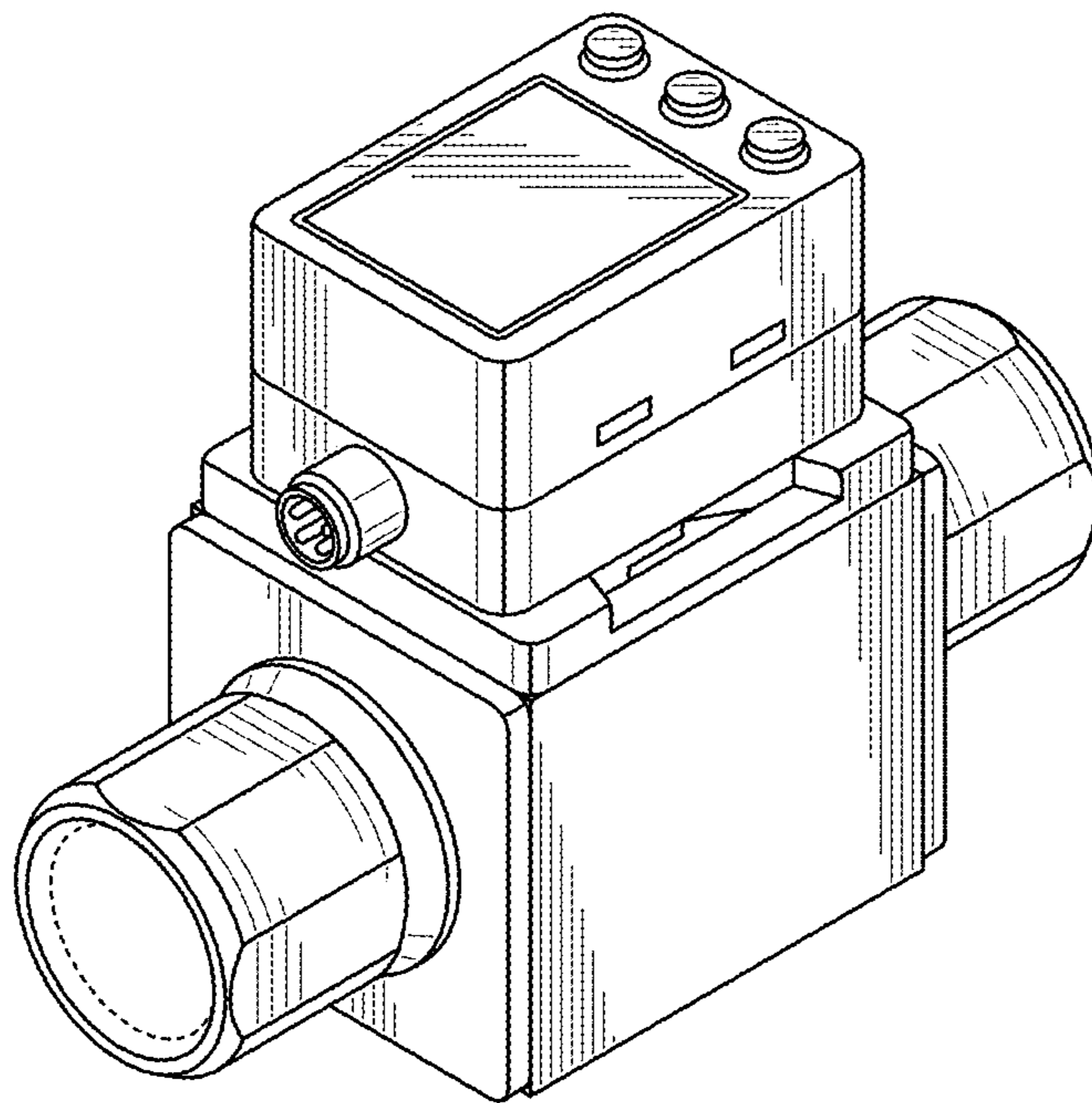


FIG. 18

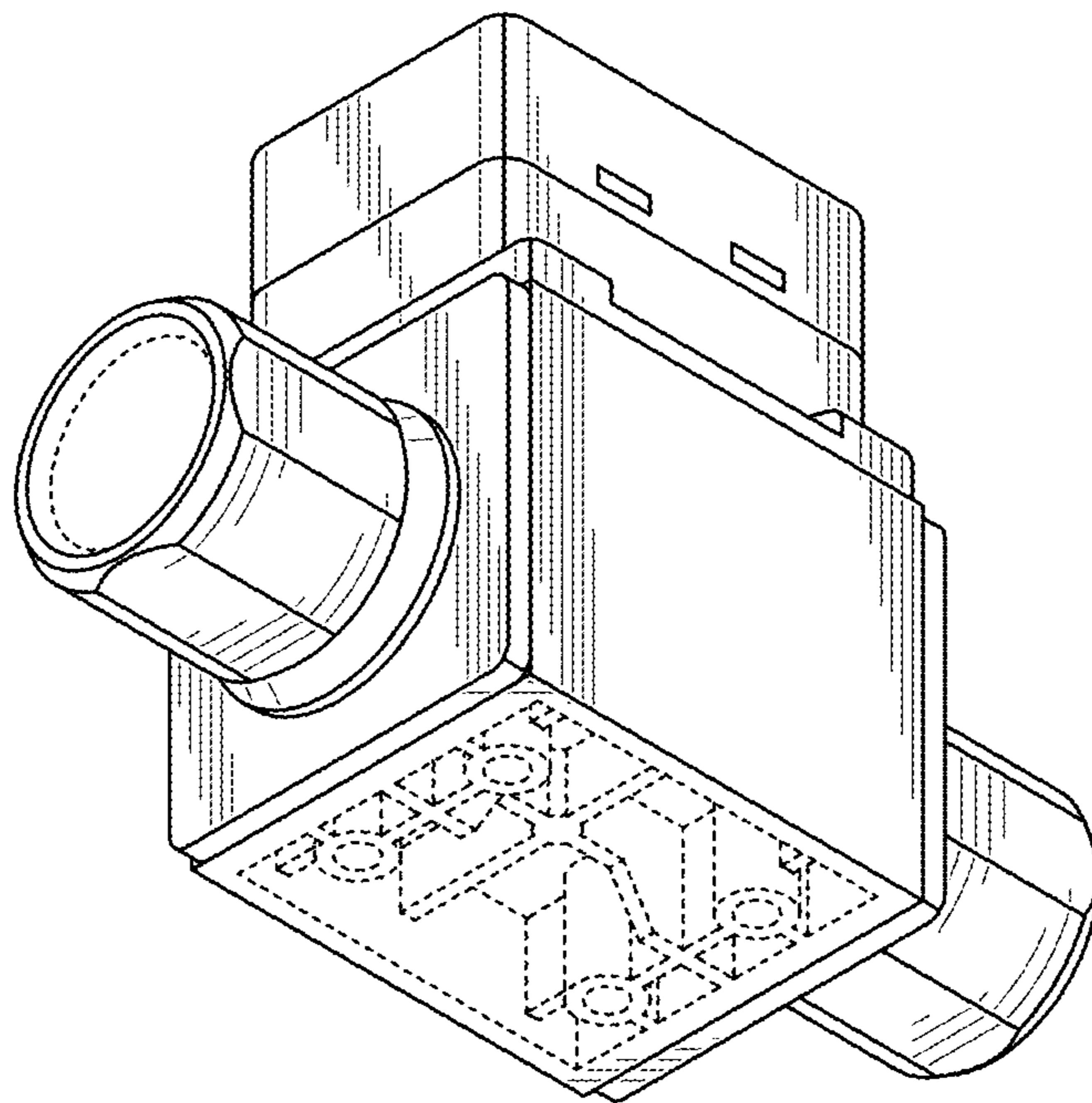


FIG. 19

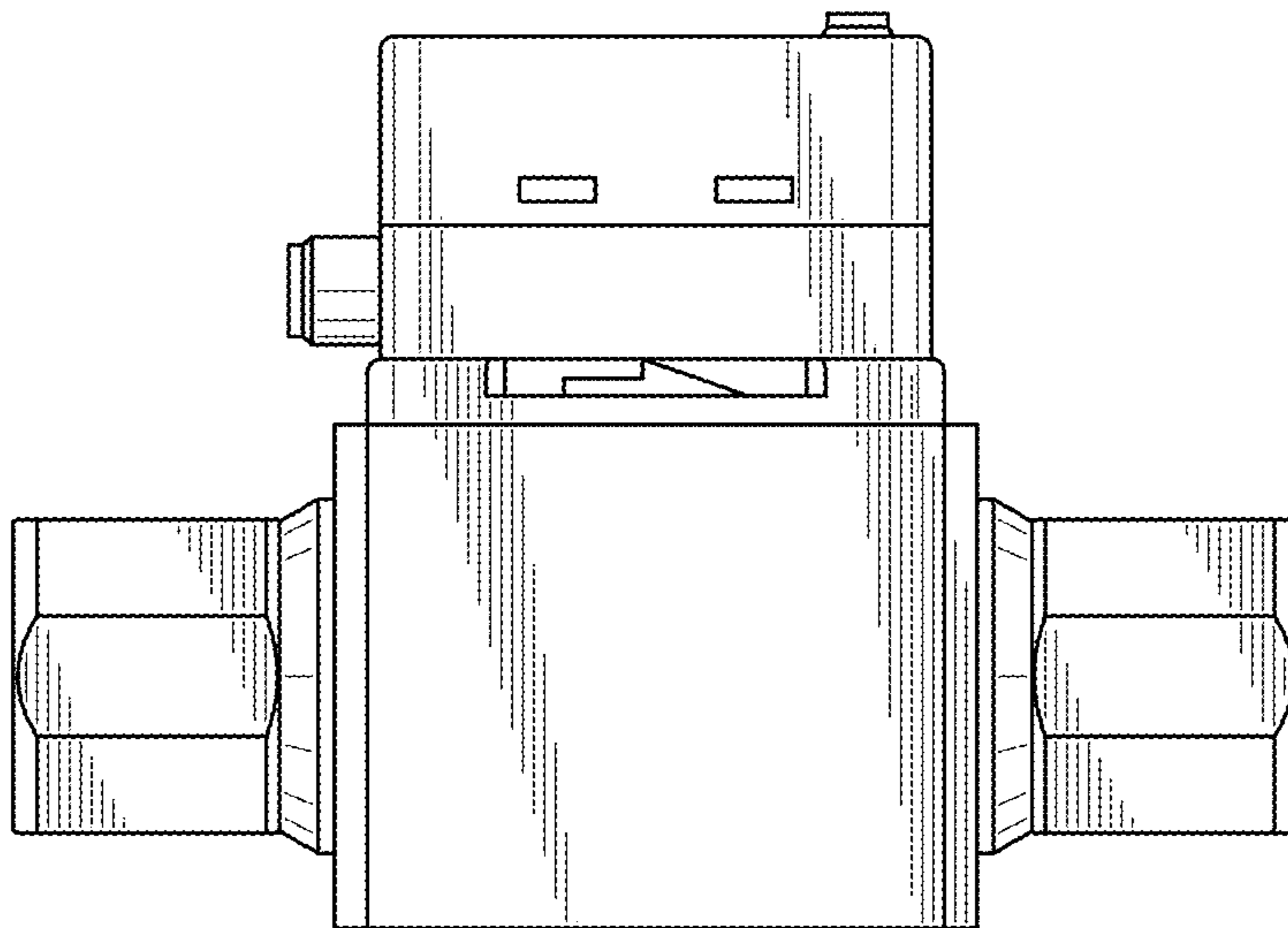


FIG. 20

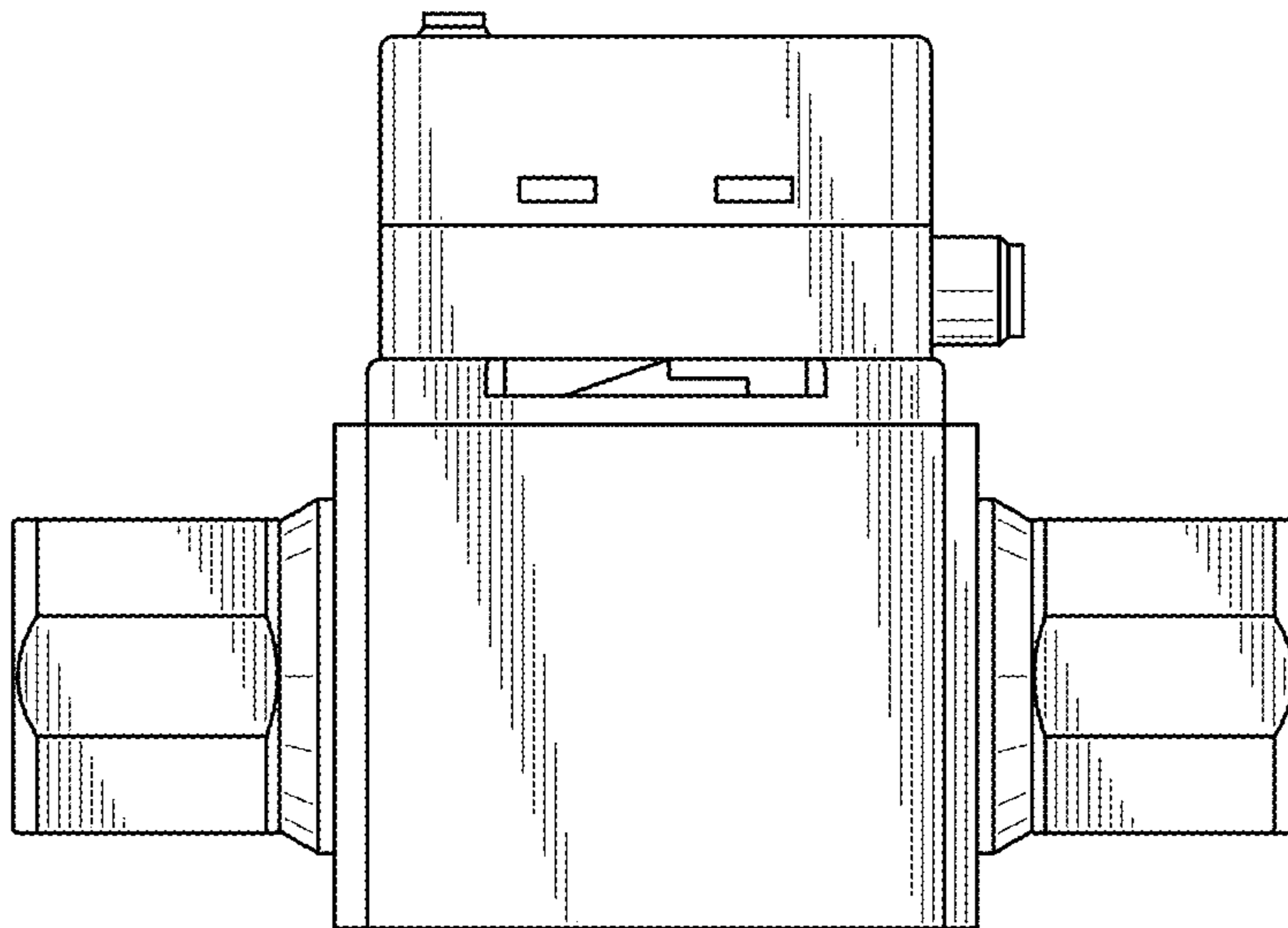


FIG. 21

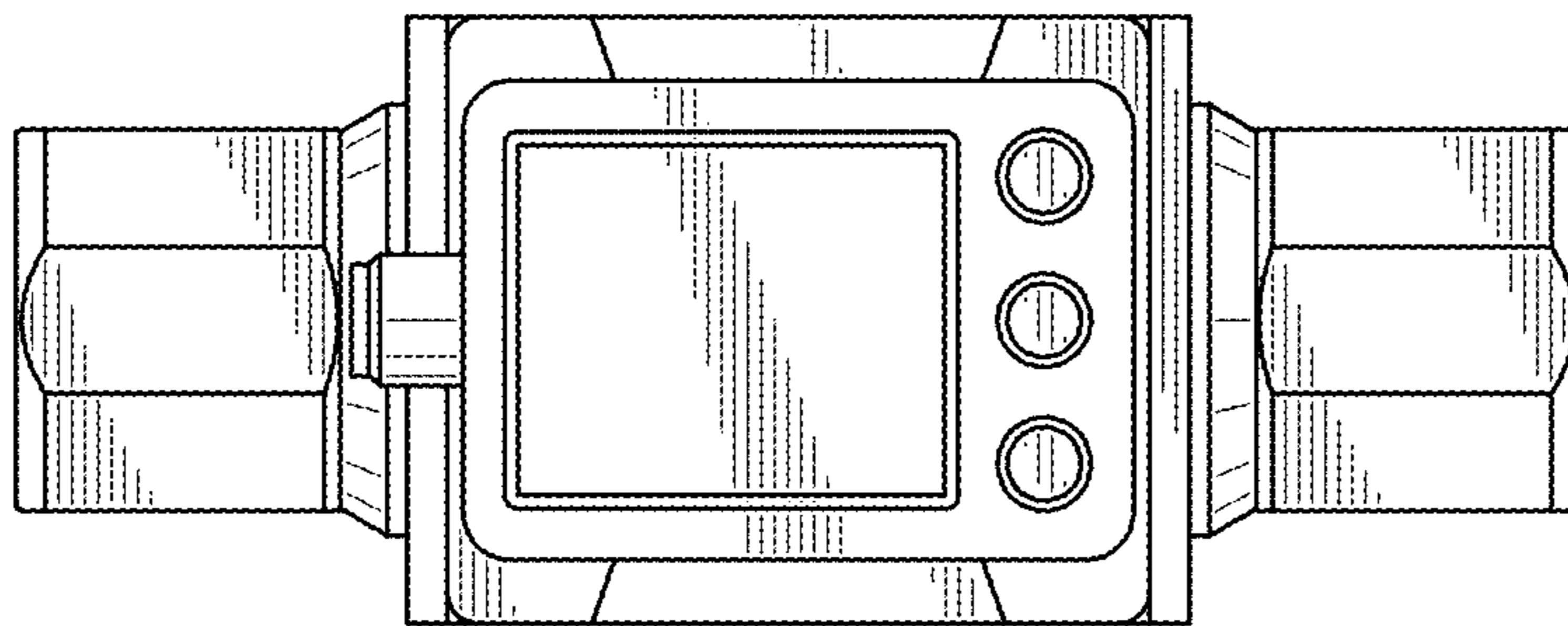


FIG. 22

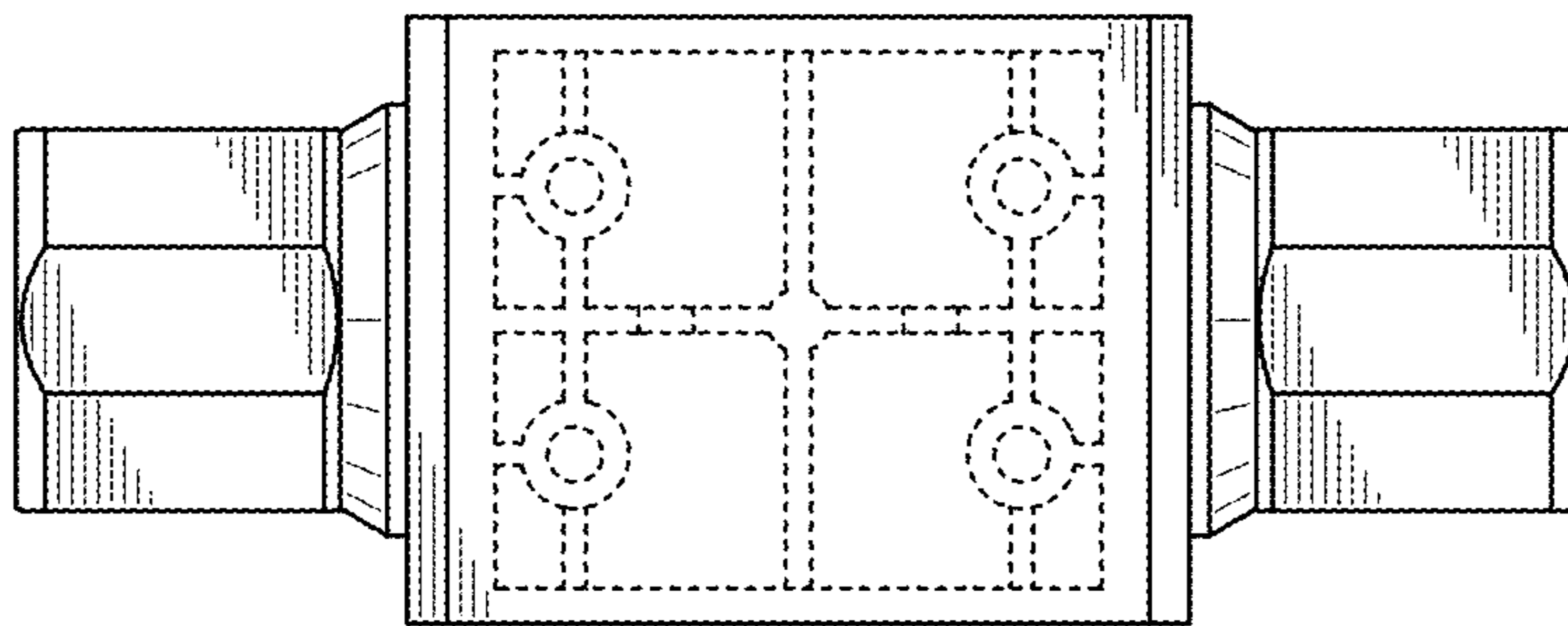




FIG. 23

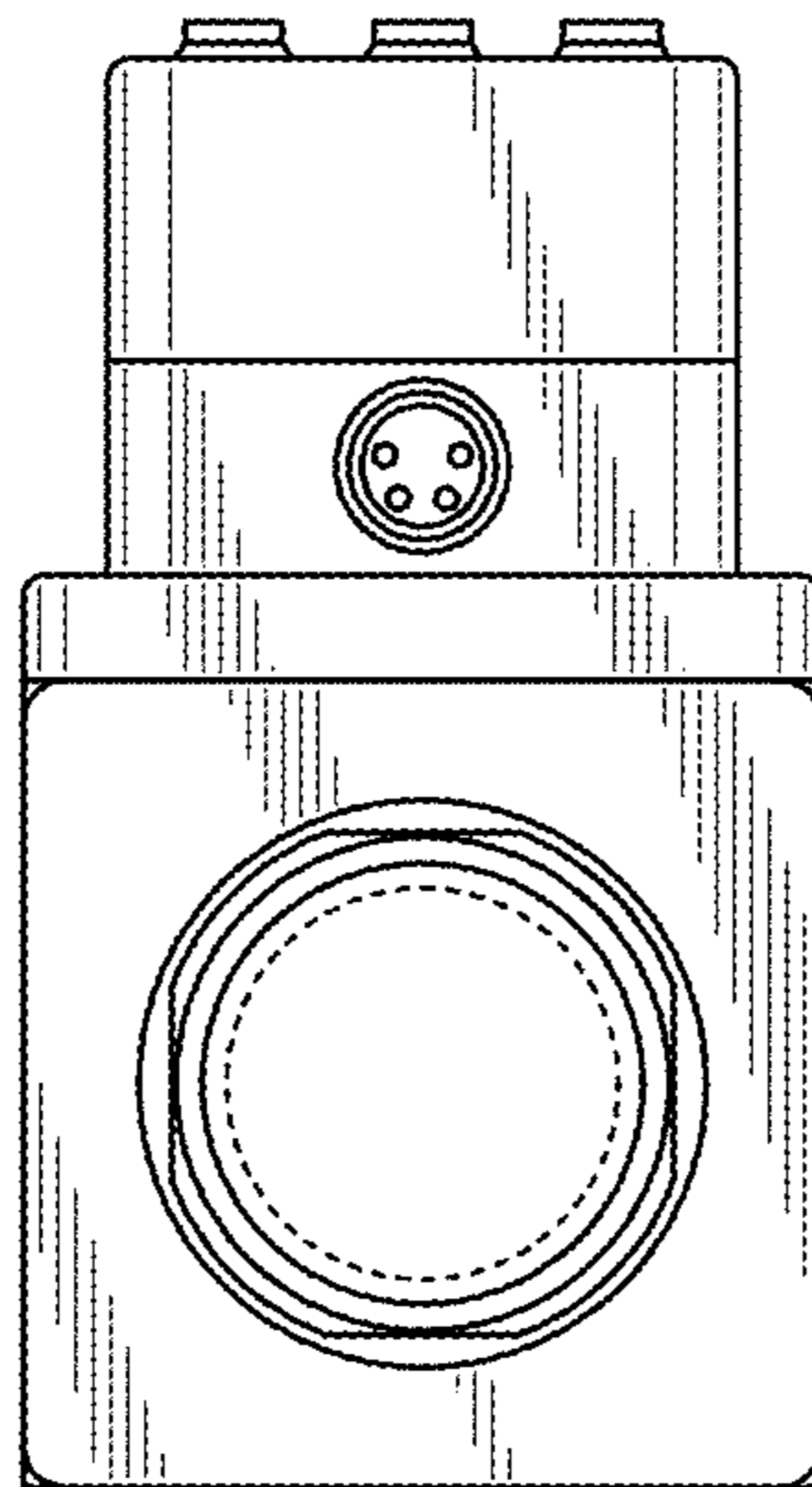


FIG. 24

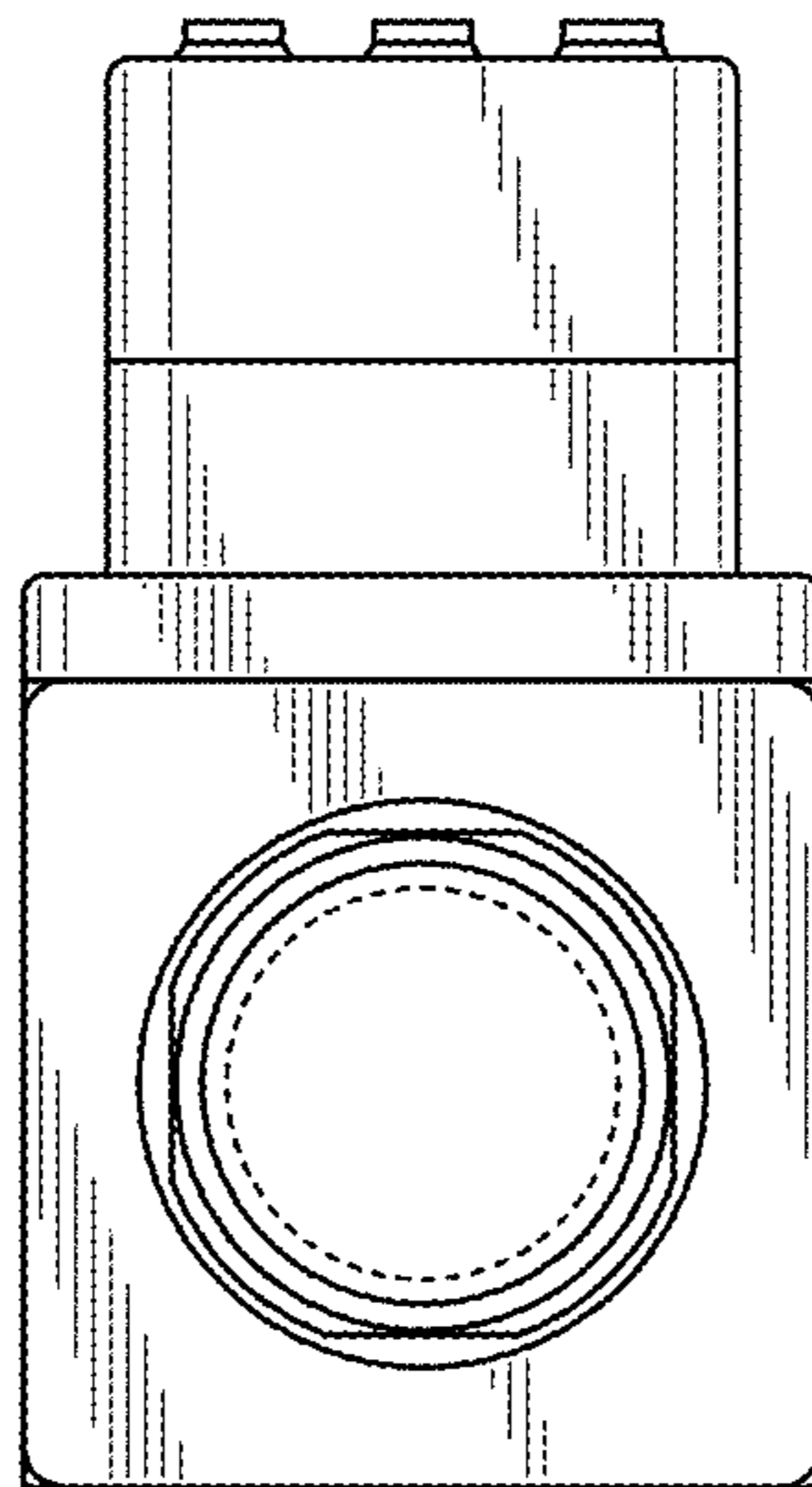


FIG. 25

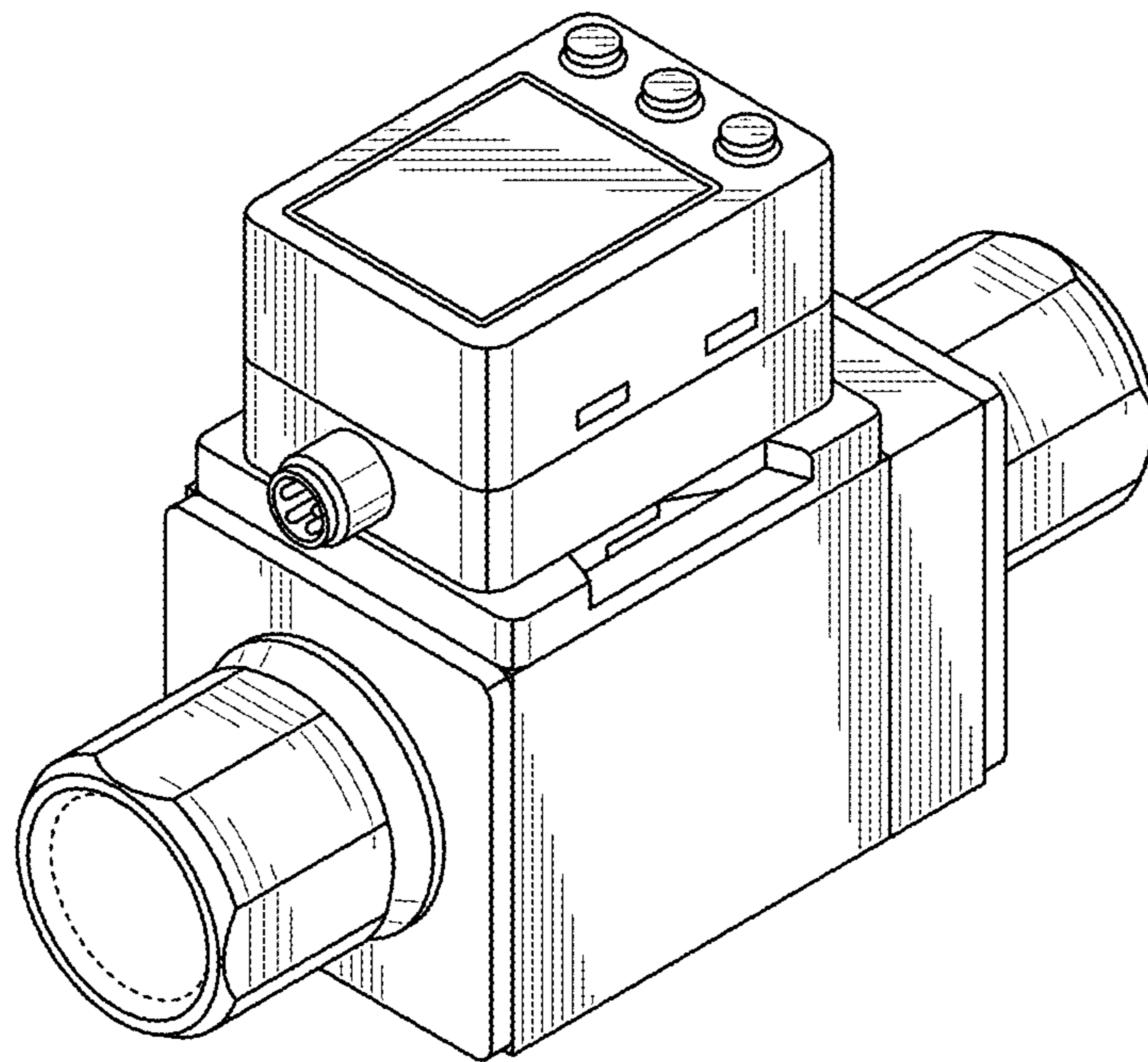


FIG. 26

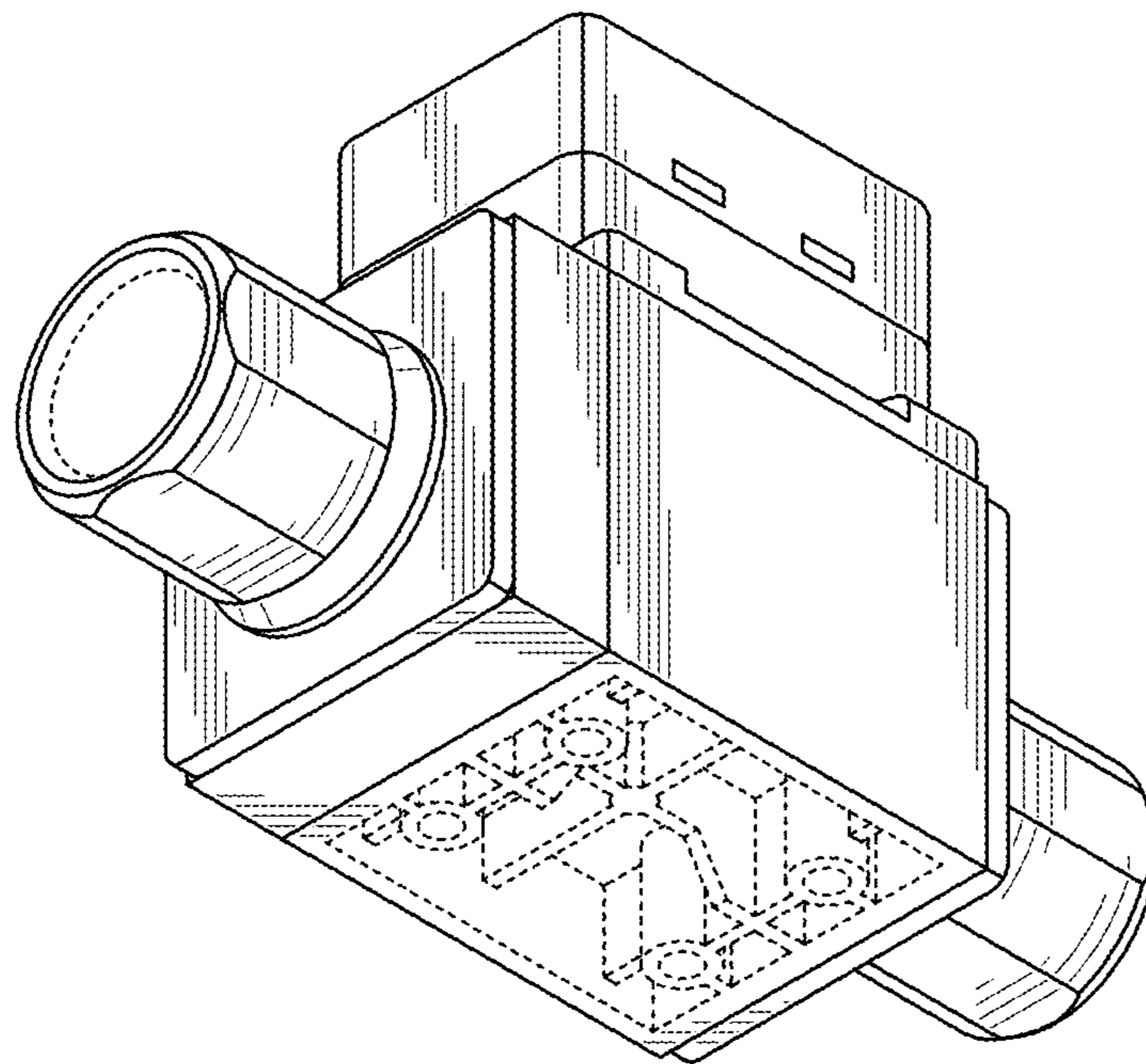


FIG. 27

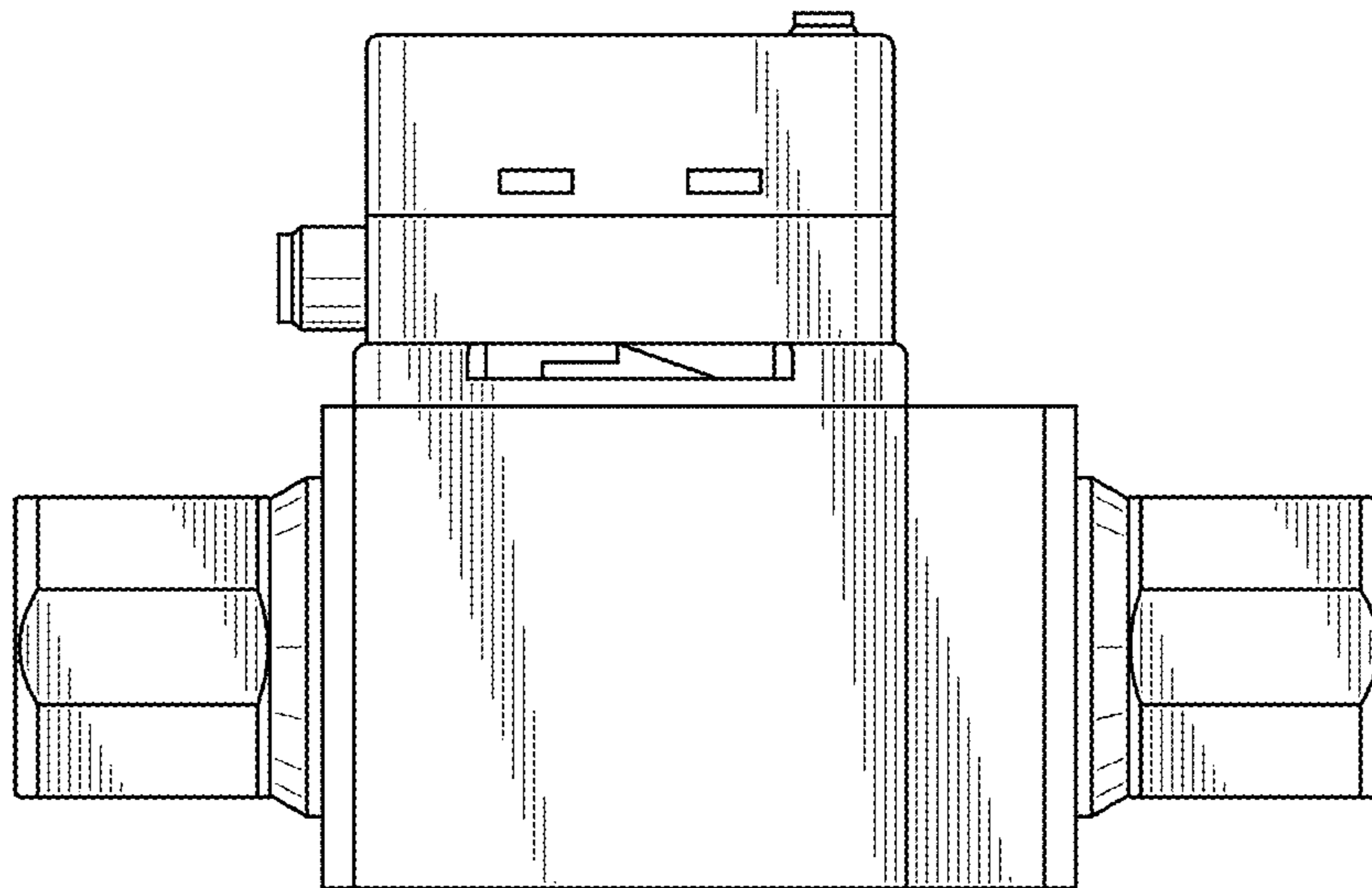


FIG. 28

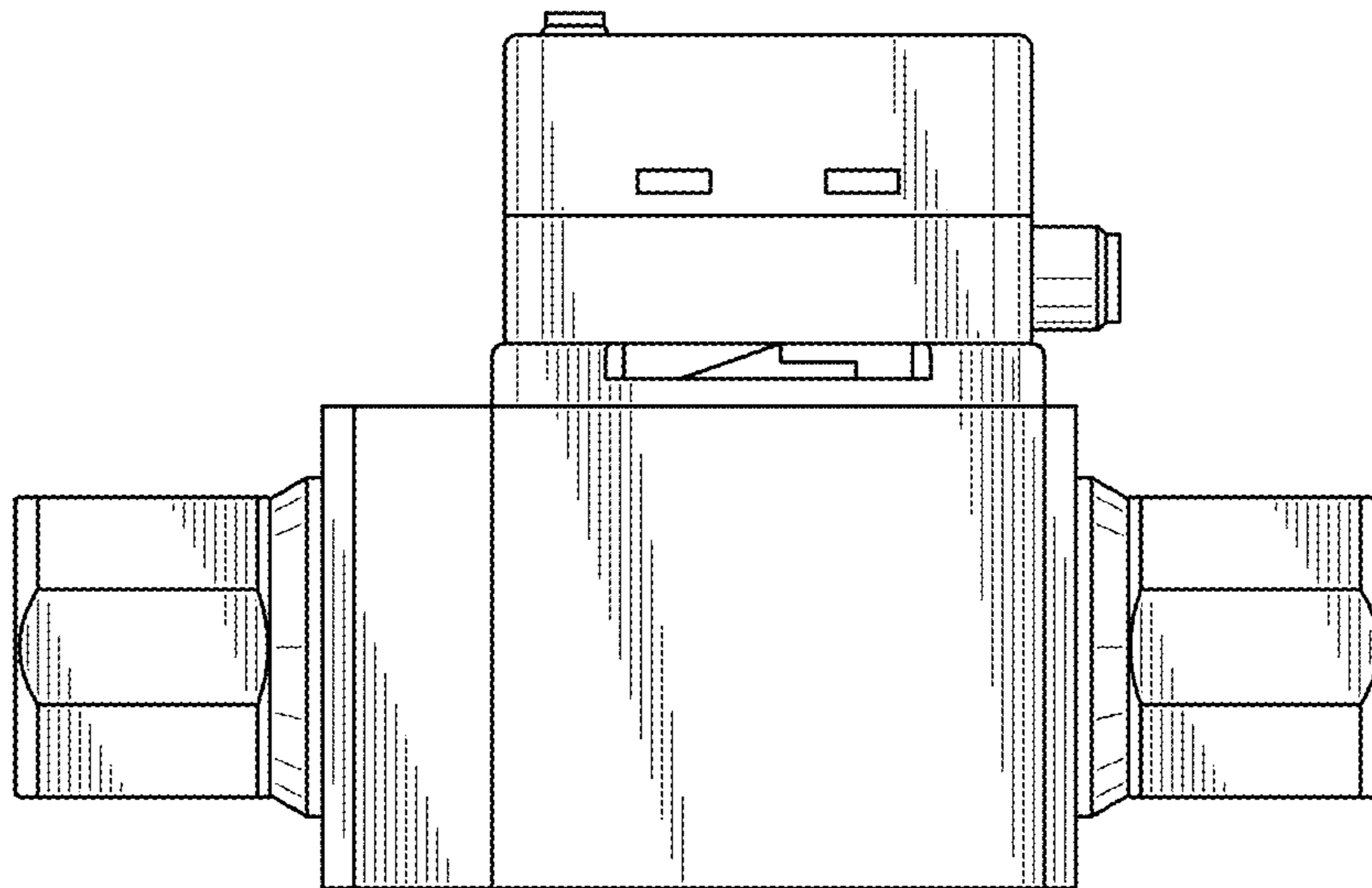


FIG. 29

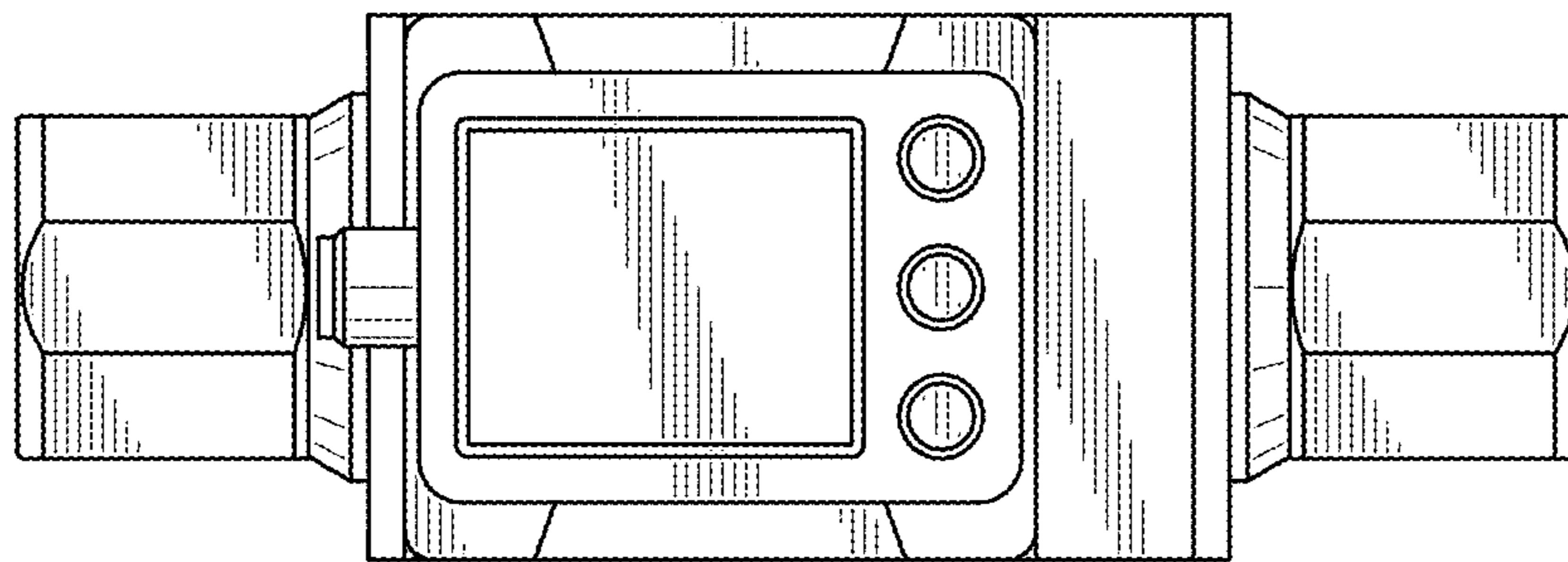


FIG. 30

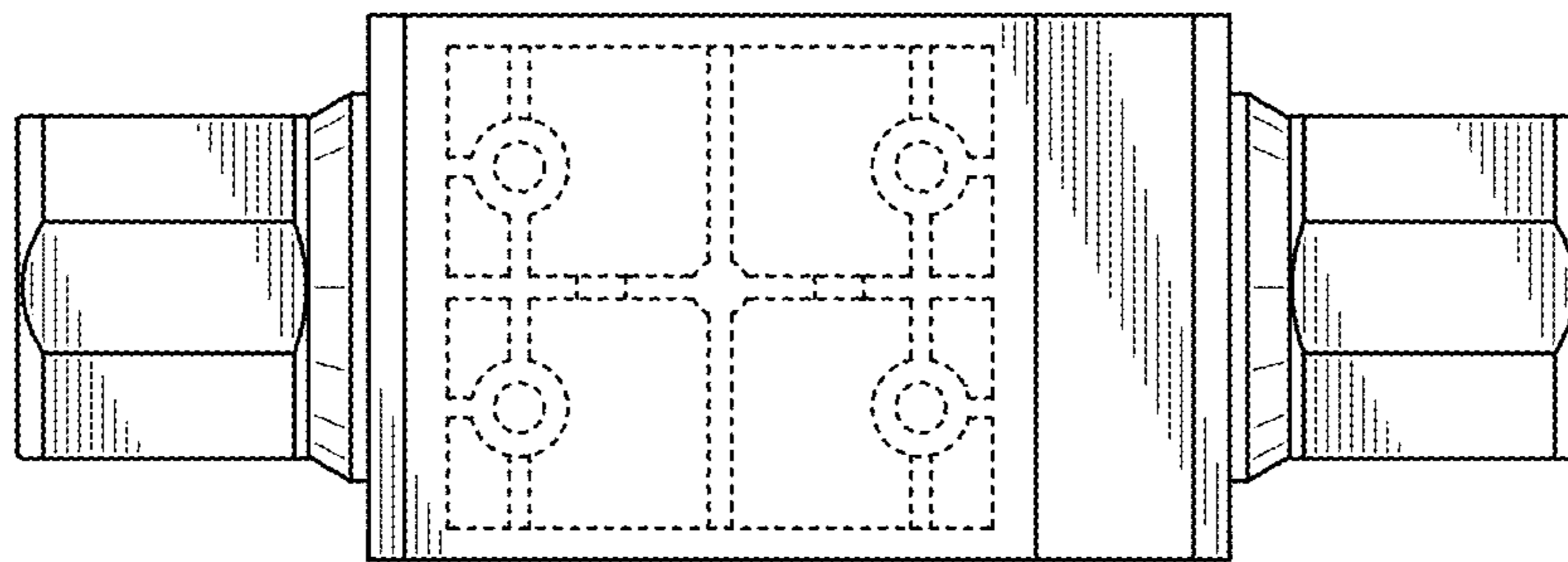




FIG. 31

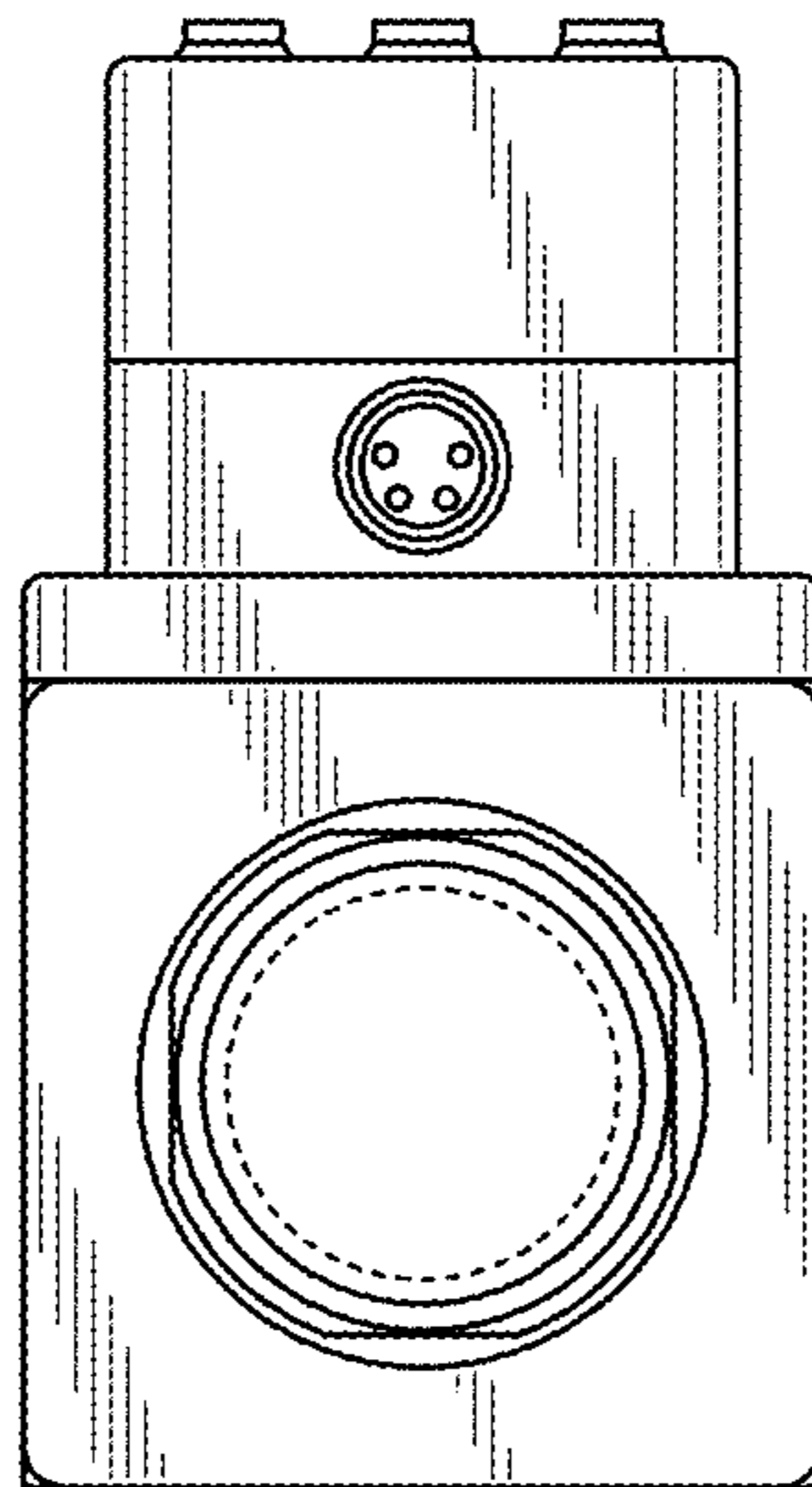


FIG. 32

