



US00D928913S

(12) **United States Design Patent** (10) **Patent No.:** **US D928,913 S**  
**Pant** (45) **Date of Patent:** **\*\* Aug. 24, 2021**

(54) **SPRAY NOZZLE ATTACHMENT**  
(71) Applicant: **Adam Pant**, Six Lakes, MI (US)  
(72) Inventor: **Adam Pant**, Six Lakes, MI (US)  
(\*\*) Term: **15 Years**

D501,040 S \* 1/2005 Gieson ..... A47K 3/005  
D23/222  
D557,356 S \* 12/2007 Johnston ..... D21/572  
D575,834 S \* 8/2008 Welch ..... D21/572  
D607,064 S \* 12/2009 Thorsen ..... D21/599  
D621,451 S \* 8/2010 Wong ..... D21/572  
(Continued)

(21) Appl. No.: **29/664,383**  
(22) Filed: **Sep. 25, 2018**  
(51) **LOC (13) Cl.** ..... **23-01**  
(52) **U.S. Cl.**  
USPC ..... **D23/213**; D23/222  
(58) **Field of Classification Search**  
USPC ..... D23/213, 214, 215, 223, 224, 226, 229,  
D23/230; D21/572, 575-576  
CPC ..... A61H 9/0021; A61H 33/00; B05B 1/00;  
B05B 1/14; B05B 1/185; B05B 1/08;  
B05B 1/02; B05B 1/26; B05B 12/002;  
B05B 1/18; B05B 9/01; F16L 37/46;  
F16L 37/00; F17C 13/12; F17C  
2205/0376  
See application file for complete search history.

**OTHER PUBLICATIONS**

<https://www.3ders.org/articles/20180322-these-3d-printed-animal-showerheads-by-zooheads-are-taking-hygiene-to-a-wild-new-place.html> (Year: 2019).\*  
(Continued)

*Primary Examiner* — Jack Reickel  
*Assistant Examiner* — Keith J Wilson  
(74) *Attorney, Agent, or Firm* — Boudwin Intellectual Property; Daniel Boudwin

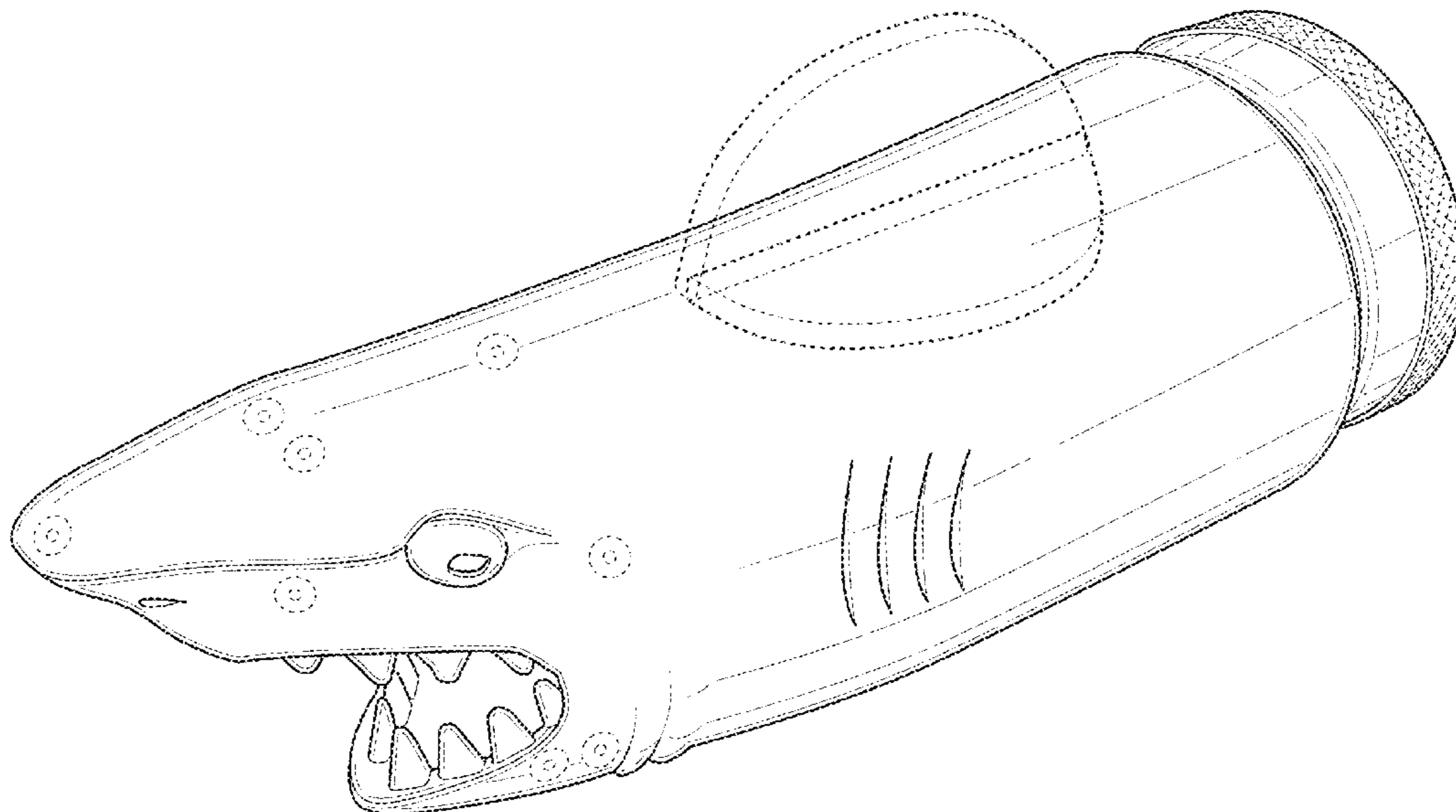
(57) **CLAIM**  
The ornamental design for a spray nozzle attachment, as shown and described.

**DESCRIPTION**

FIG. 1 shows a perspective view of a spray nozzle attachment.  
FIG. 2 shows a front view of the spray nozzle attachment;  
FIG. 3 shows a rear view of the spray nozzle attachment;  
FIG. 4 shows a right side view of the spray nozzle attachment;  
FIG. 5 shows a left side view of the spray nozzle attachment;  
FIG. 6 shows a top plan view of the spray nozzle attachment;  
and,  
FIG. 7 shows a bottom plan view of the spray nozzle attachment.  
The shade lines in the Figures show contour and not surface ornamentation.  
The broken lines shown in the Figures, including the textured broken line diamond pattern, show portions of the spray nozzle attachment which form no part of the claimed design.

(56) **References Cited**  
U.S. PATENT DOCUMENTS  
1,208,203 A 12/1916 Plimley  
1,630,677 A 5/1927 Staley  
2,232,018 A 2/1941 Wright  
3,134,120 A 5/1964 Brown  
4,257,139 A 3/1981 Yeo  
4,819,314 A 4/1989 Shaddock  
D313,460 S \* 1/1991 Boucher ..... D21/597  
5,165,727 A 11/1992 Valley  
D342,559 S \* 12/1993 McGill ..... D21/588  
D354,550 S \* 1/1995 Munoz ..... D23/256  
5,626,684 A 5/1997 Rodarte et al.  
5,887,908 A 3/1999 White  
D417,706 S \* 12/1999 Yamazaki ..... D21/597

**1 Claim, 6 Drawing Sheets**



(56)

**References Cited**

U.S. PATENT DOCUMENTS

D670,771 S \* 11/2012 Lo ..... D21/597  
8,424,129 B2 \* 4/2013 Henderson ..... A47K 3/005  
4/661  
D736,335 S \* 8/2015 Liberatore ..... D21/803  
D779,401 S \* 2/2017 Webb ..... D12/179  
2014/0053874 A1 2/2014 MacKenzie et al.  
2016/0258148 A1\* 9/2016 Pant ..... E03C 1/306

OTHER PUBLICATIONS

<https://www.amazon.com/Streamline-Shark-Ceramic-Pepper-Shaker/> (Year: 2011).\*

\* cited by examiner

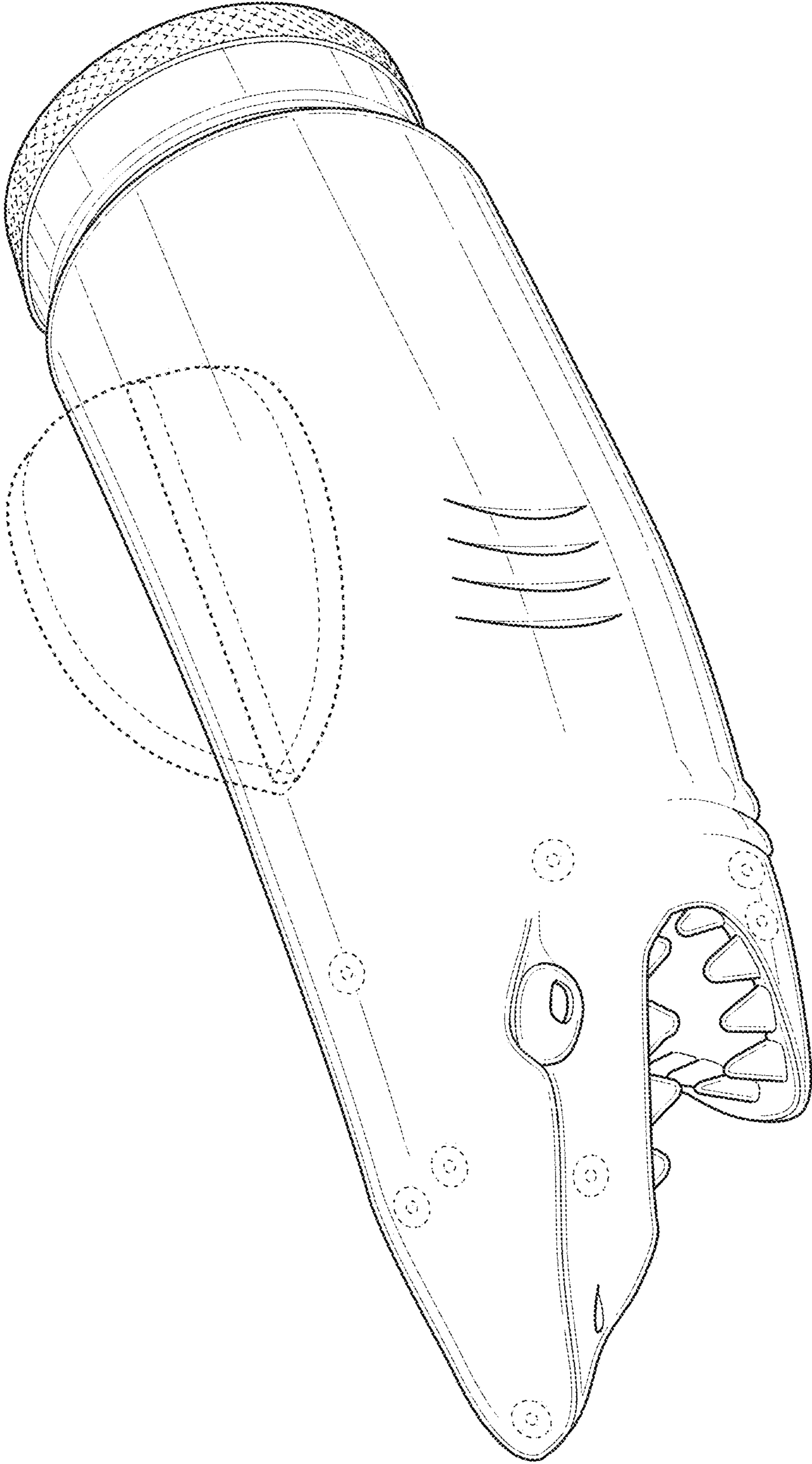


FIG. 1

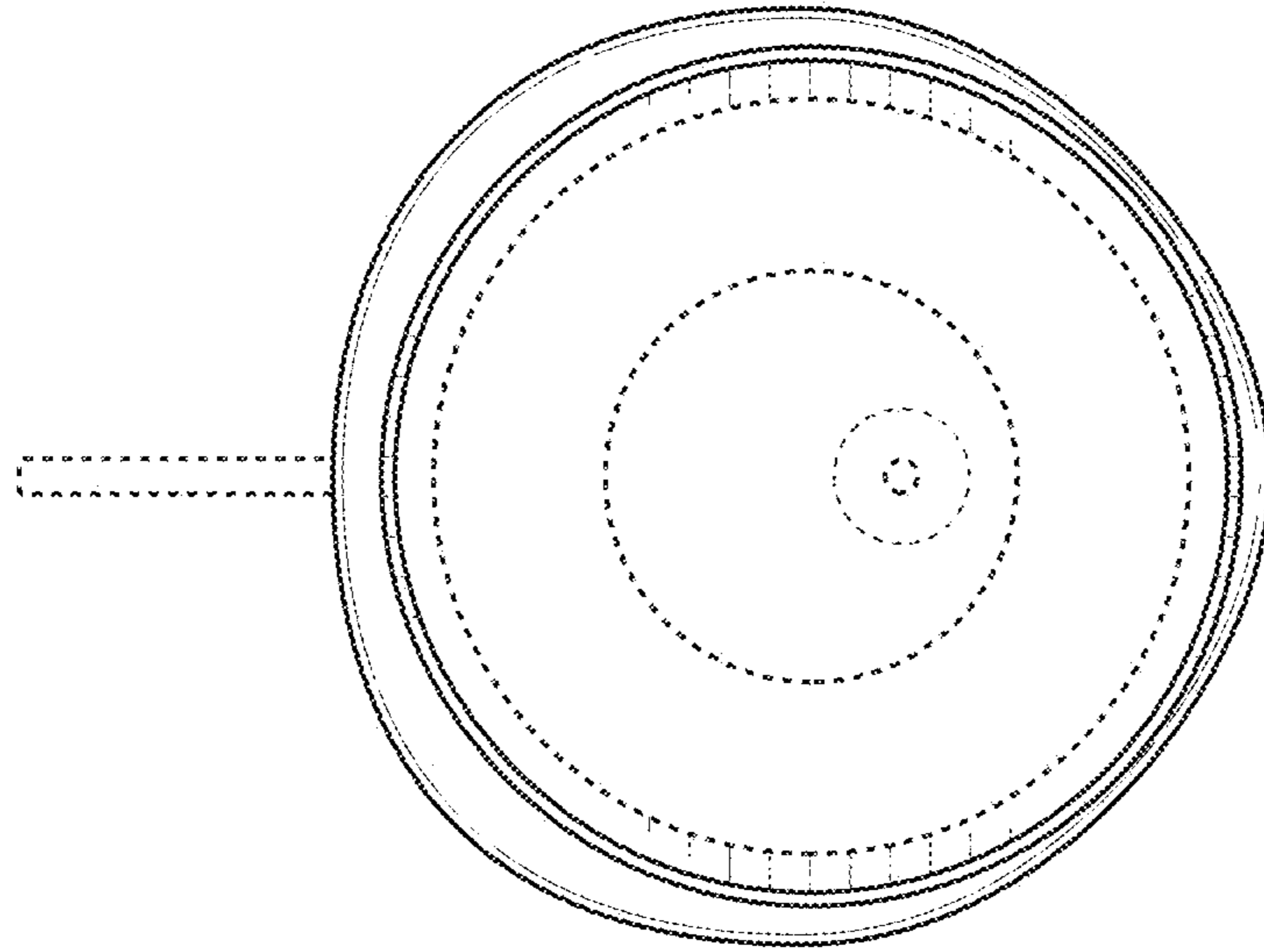


FIG. 3

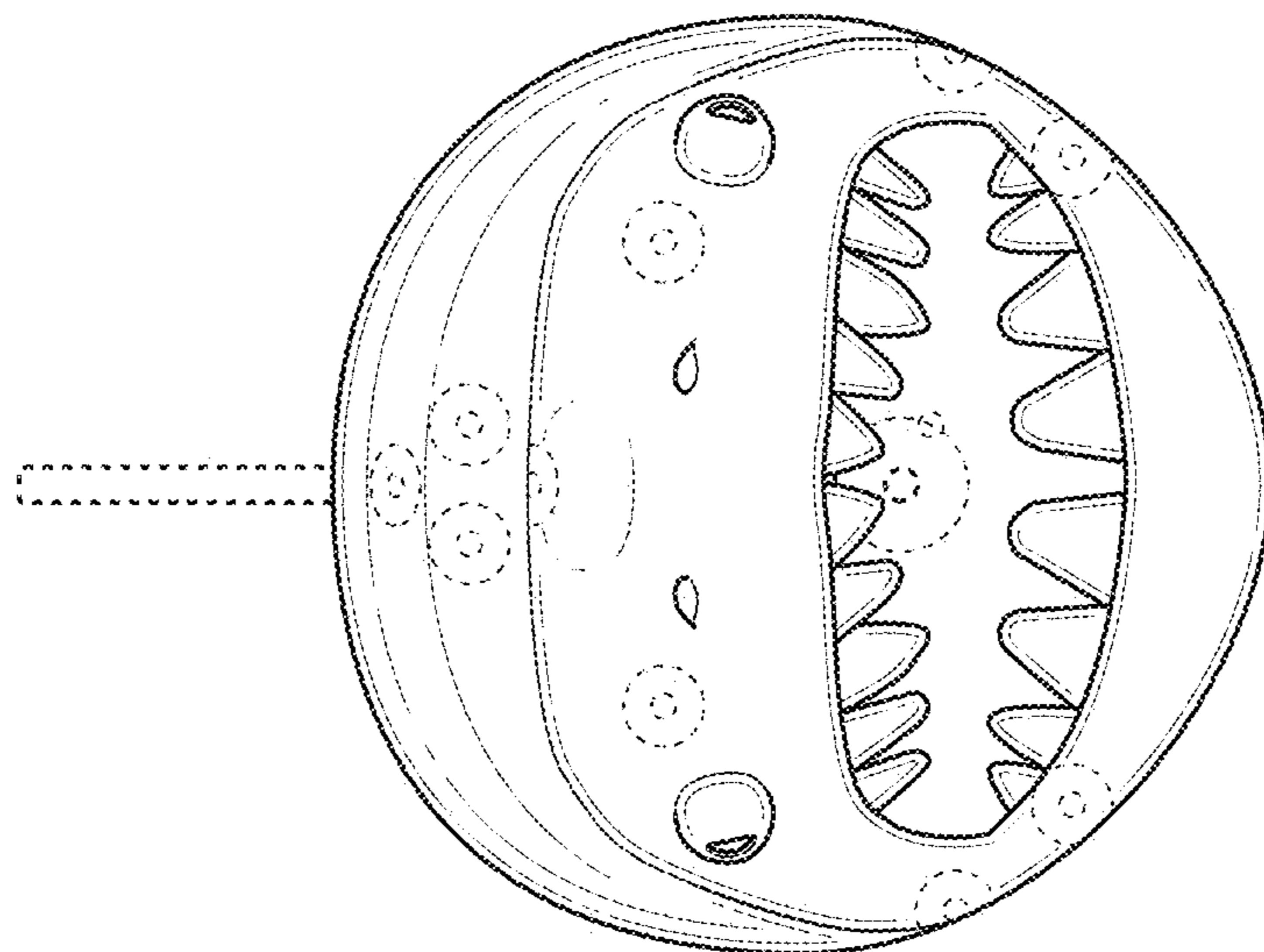


FIG. 2

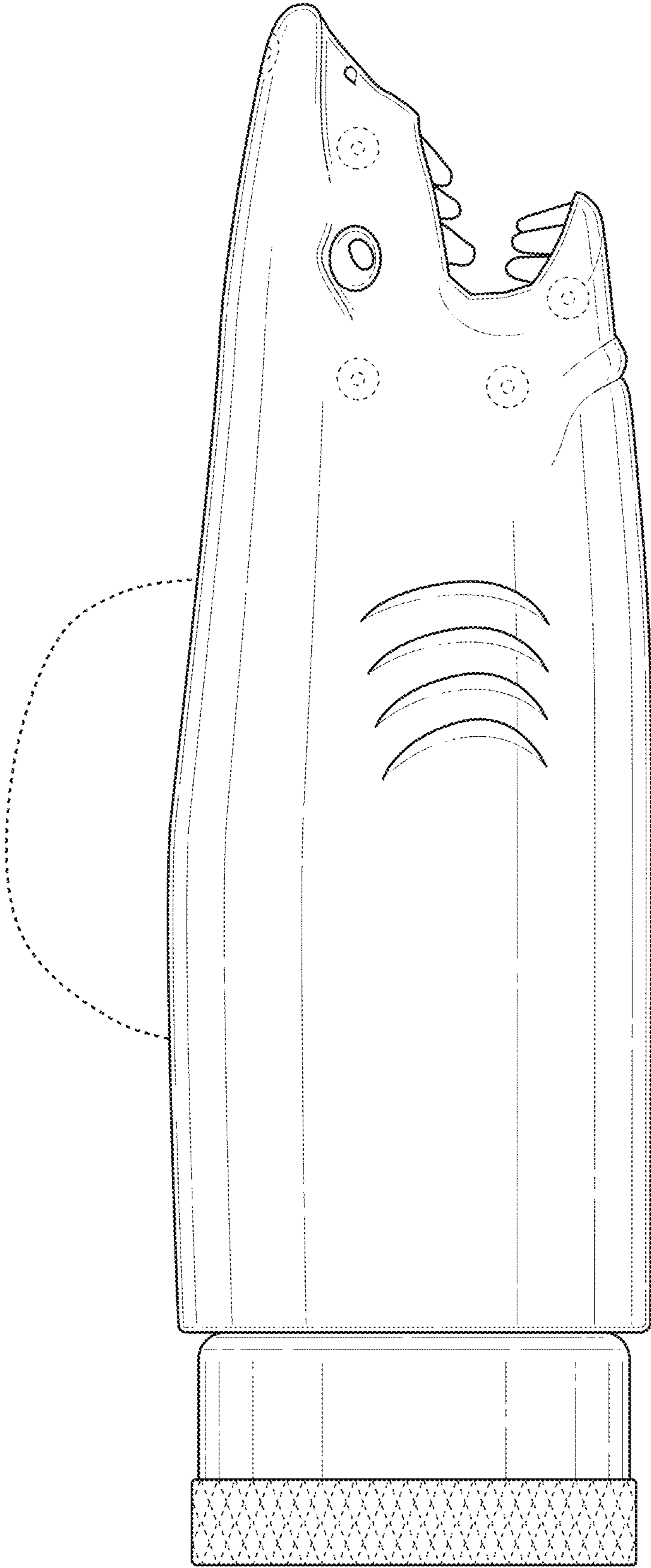


FIG. 4

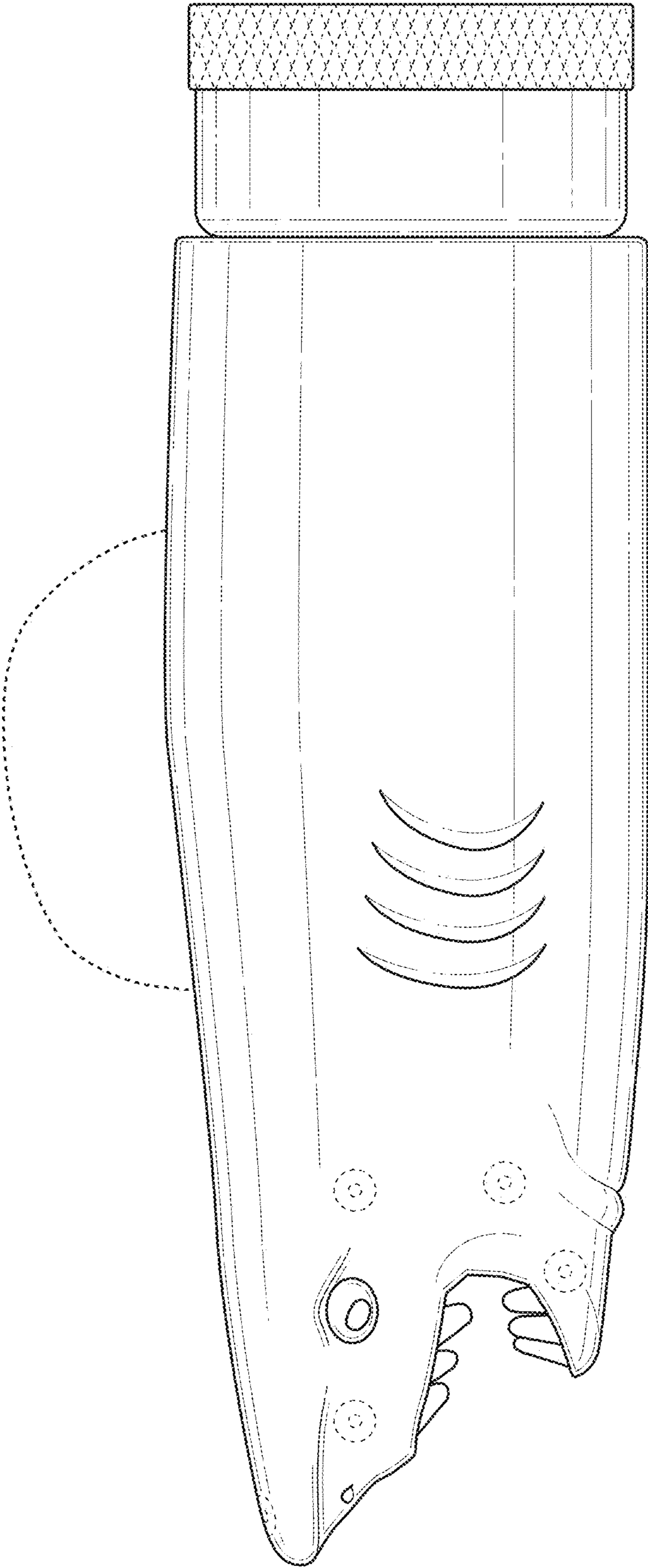


FIG. 5

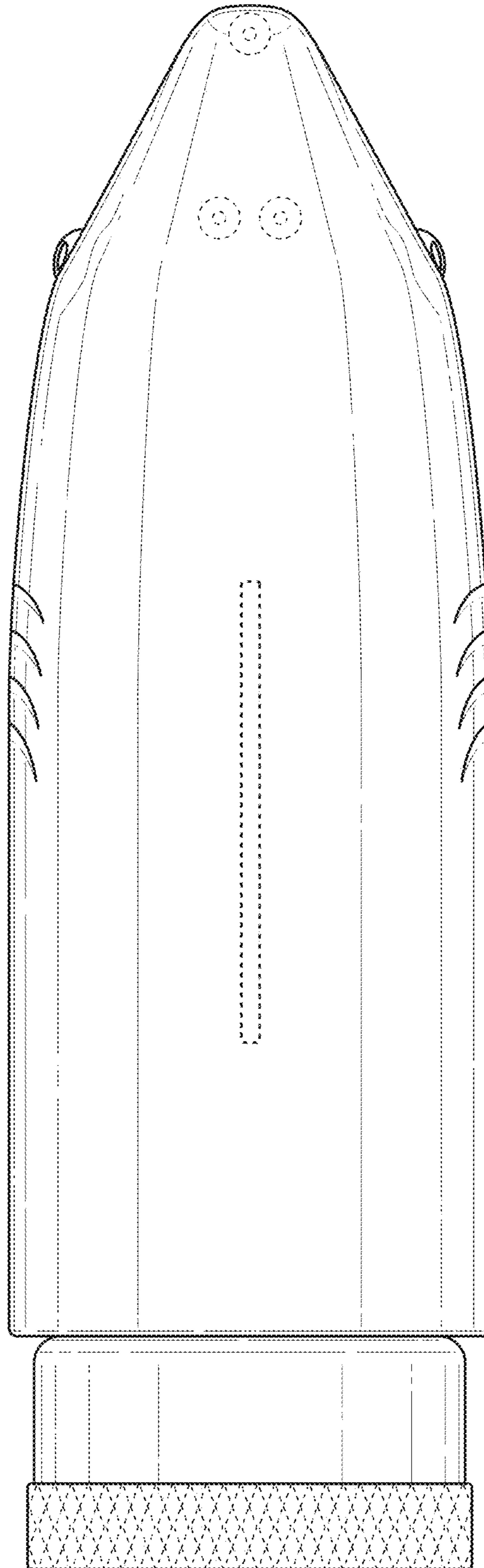


FIG. 6

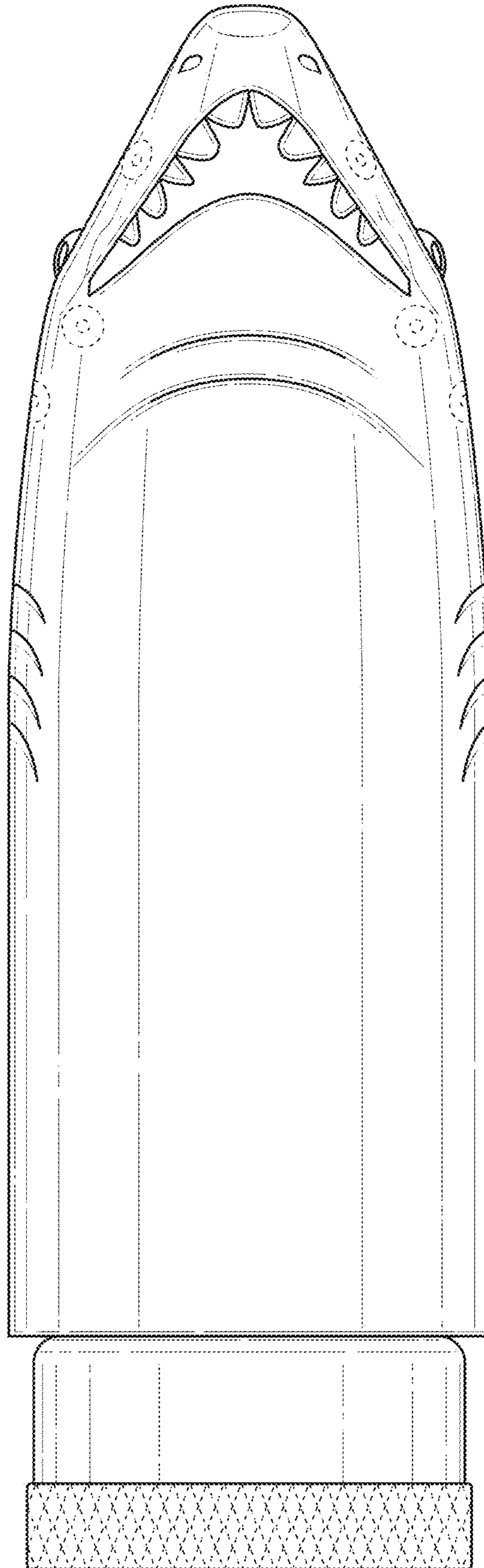


FIG. 7