



US00D928910S

(12) **United States Design Patent** (10) **Patent No.:** **US D928,910 S**  
**Mathieu et al.** (45) **Date of Patent:** **\*\* Aug. 24, 2021**

(54) **FISHHOOK RING ACCESSORY** 4,896,422 A \* 1/1990 Sheehan ..... A01K 97/00  
30/290  
(71) Applicant: **Rapala VMC Oyj**, Helsinki (FI) D377,769 S \* 2/1997 Roemer ..... D11/26  
D472,296 S \* 3/2003 Sovik ..... D22/134  
(72) Inventors: **Cyrille Mathieu**, Chaska, MN (US); D767,710 S \* 9/2016 Zahorski ..... D22/149  
**Meng Da Liu**, Edina, MN (US) D859,121 S \* 9/2019 Zahorski ..... D22/149  
D890,879 S \* 7/2020 Brown ..... B26B 27/007  
(73) Assignee: **Rapala VMC Oyj**, Helsinki (FI) 2012/0180324 A1 \* 7/2012 Caldwell ..... B26B 27/007  
30/298

(\*\*) Term: **15 Years**

\* cited by examiner

(21) Appl. No.: **29/719,029**

*Primary Examiner* — Catherine R Oliver-Garcia

(22) Filed: **Dec. 31, 2019**

(74) *Attorney, Agent, or Firm* — Dority & Manning, P.A.

(51) **LOC (13) Cl.** ..... **22-05**

(52) **U.S. Cl.**

(57) **CLAIM**

USPC ..... **D22/149**

The ornamental design for a fishhook ring accessory, as shown and described.

(58) **Field of Classification Search**

**DESCRIPTION**

USPC .... D22/149–150, 145–147, 134, 199; 43/25,  
43/42.74; 30/286, 294, 296.1, 290;  
D8/95–99; D11/7, 26; 24/3.2

CPC ..... A01K 95/00; A01K 97/00; B26B 13/00;  
B26B 27/007

See application file for complete search history.

FIG. 1 is a perspective view of the fishhook ring accessory;  
FIG. 2 is a front view thereof;  
FIG. 3 is a rear view thereof;  
FIG. 4 is a side view thereof;  
FIG. 5 is an opposite side view thereof;  
FIG. 6 is a top view thereof; and,  
FIG. 7 is a bottom view thereof.

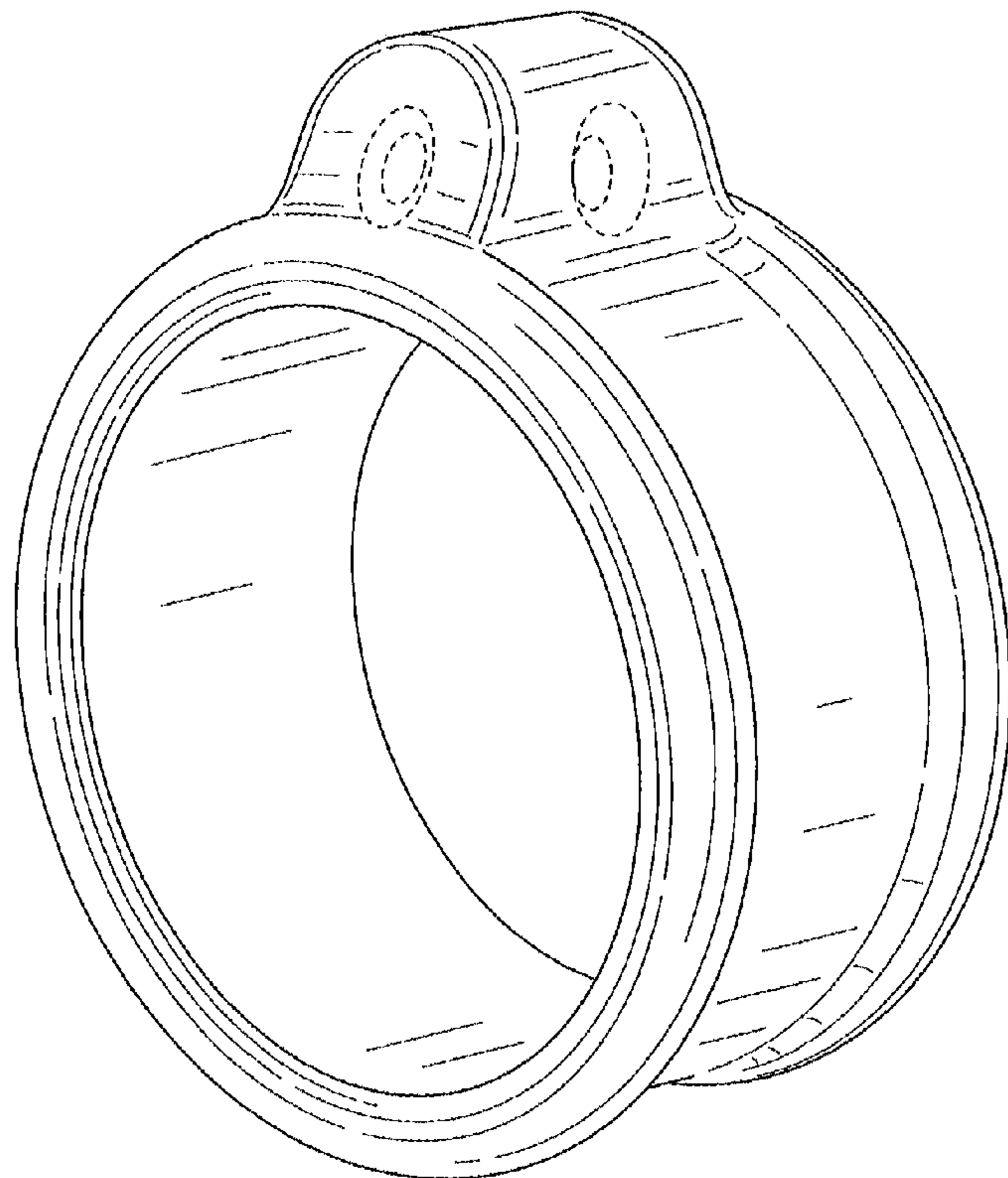
The broken lines shown in the Figures represent portions of the fishhook ring accessory that form no part of the claimed design.

(56) **References Cited**

U.S. PATENT DOCUMENTS

1,379,864 A \* 5/1921 Gregory ..... B26B 27/007  
30/291  
2,074,643 A \* 3/1937 Domenego ..... A44C 5/00  
24/3.2  
4,730,409 A \* 3/1988 Mitchell ..... A01K 97/00  
30/296.1

**1 Claim, 7 Drawing Sheets**



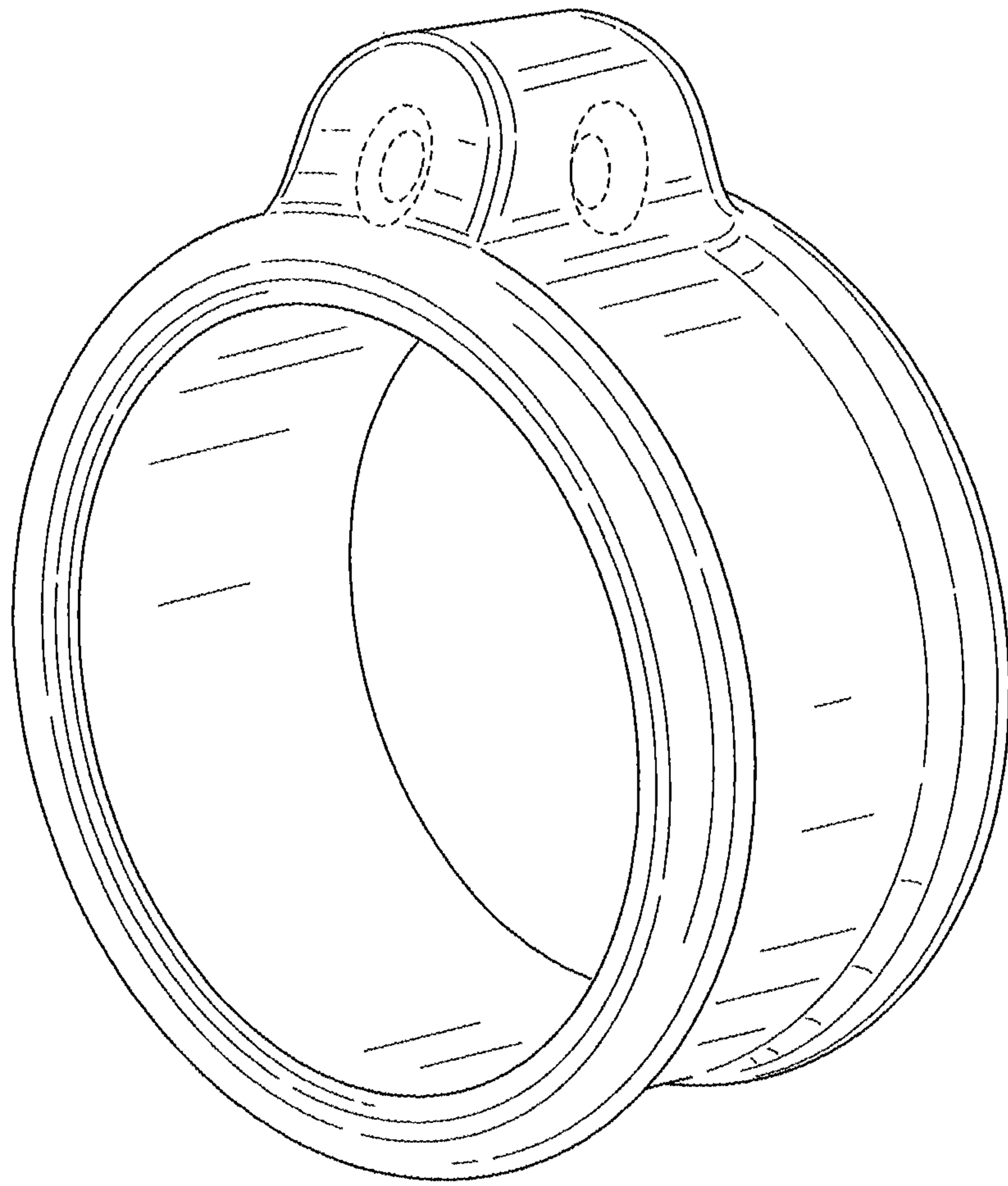


FIG. 1

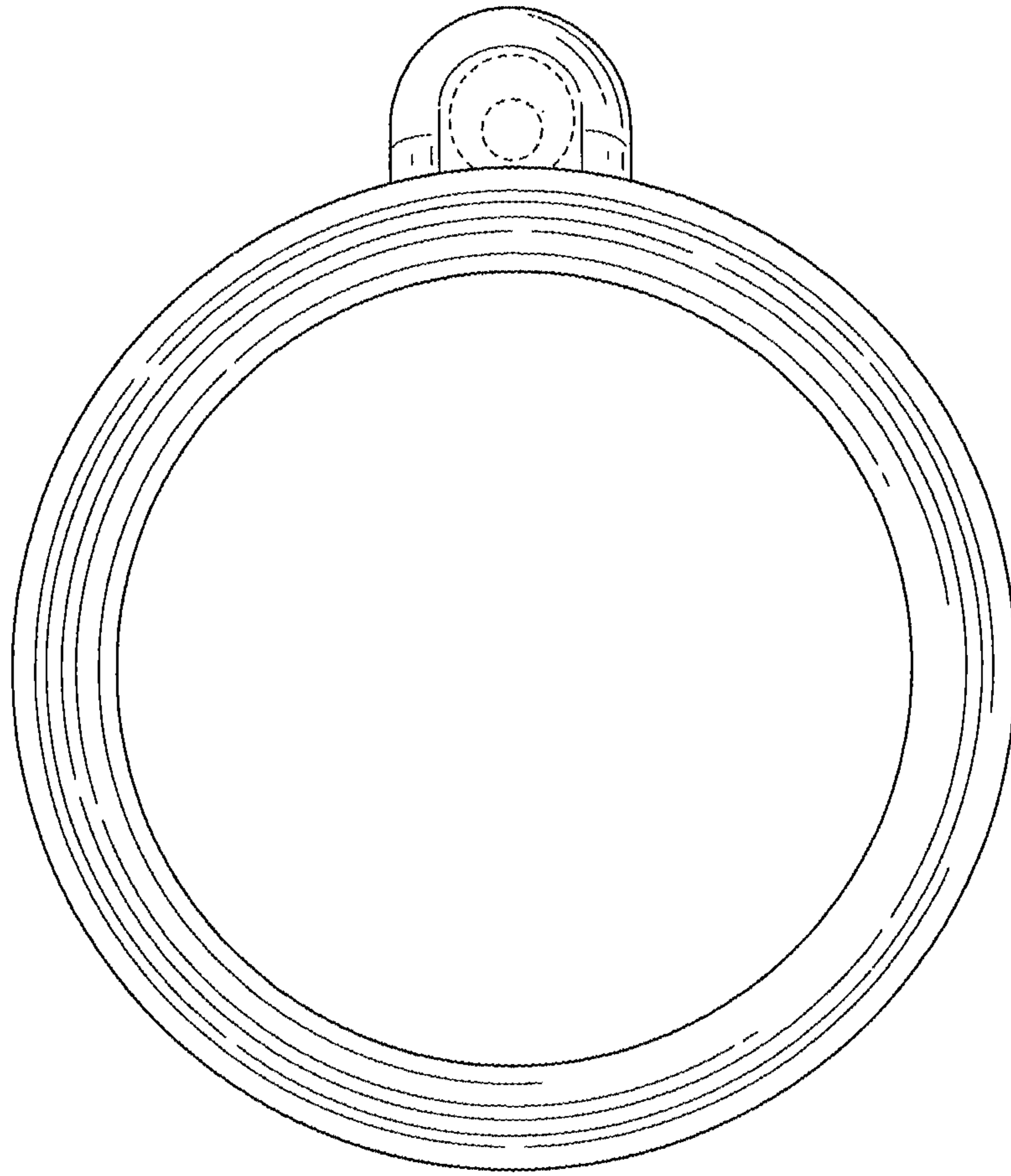


FIG. 2

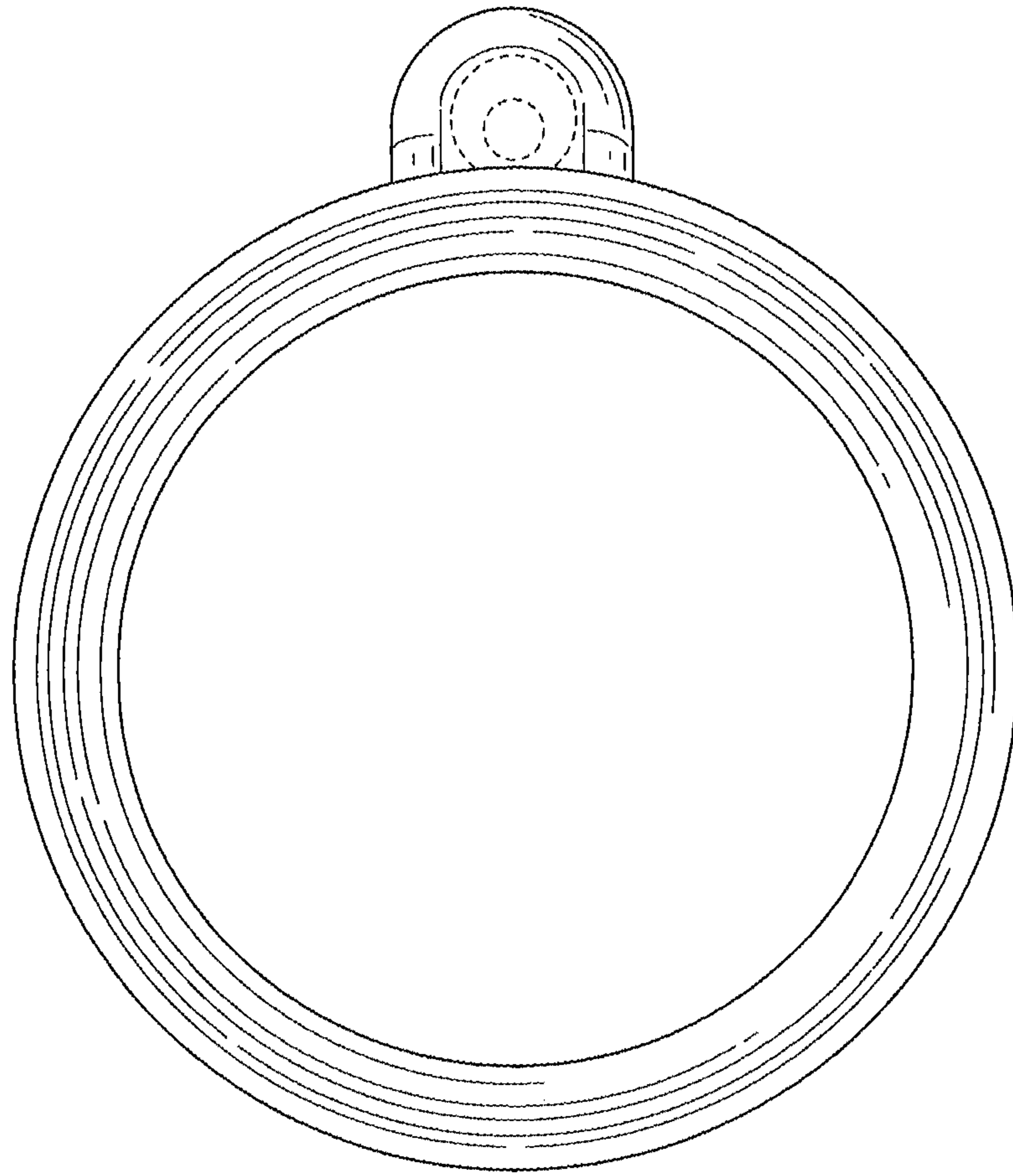


FIG. 3

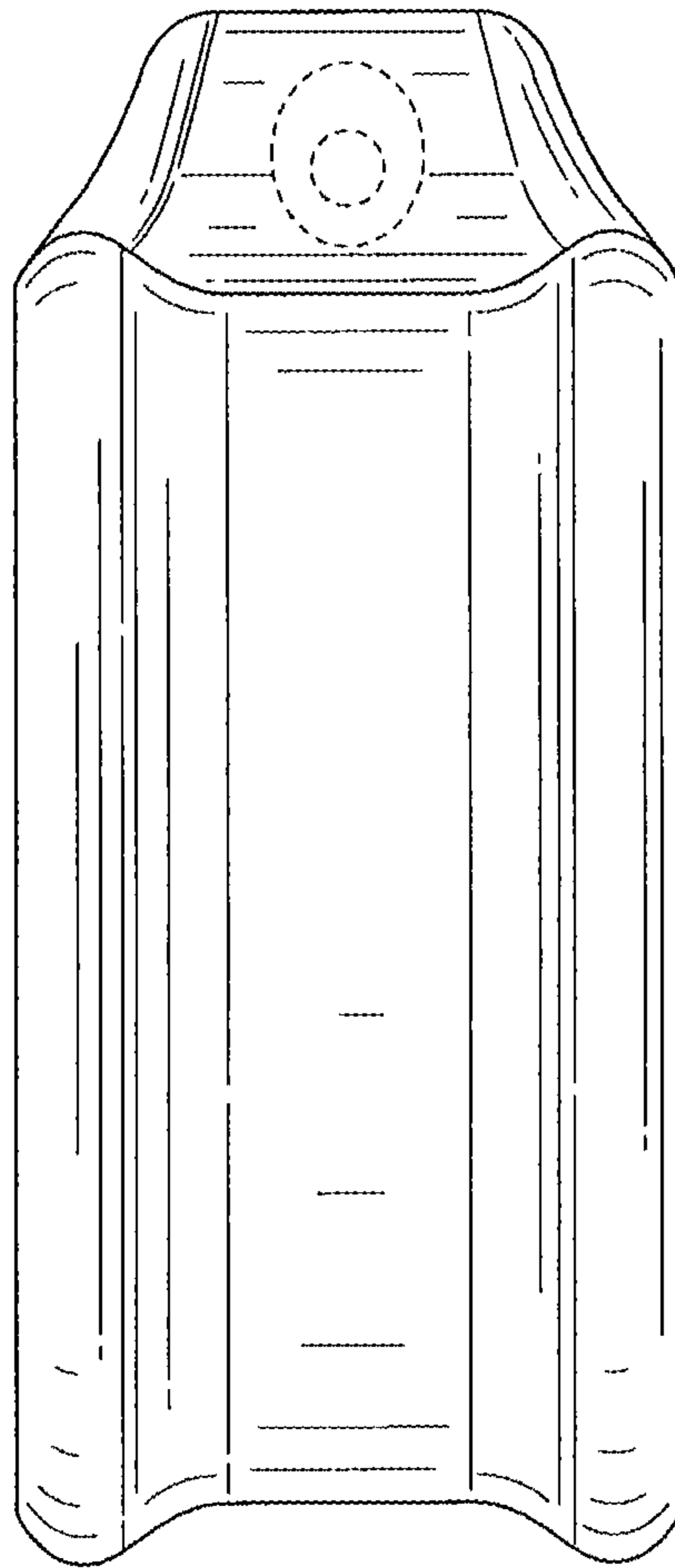


FIG. 4

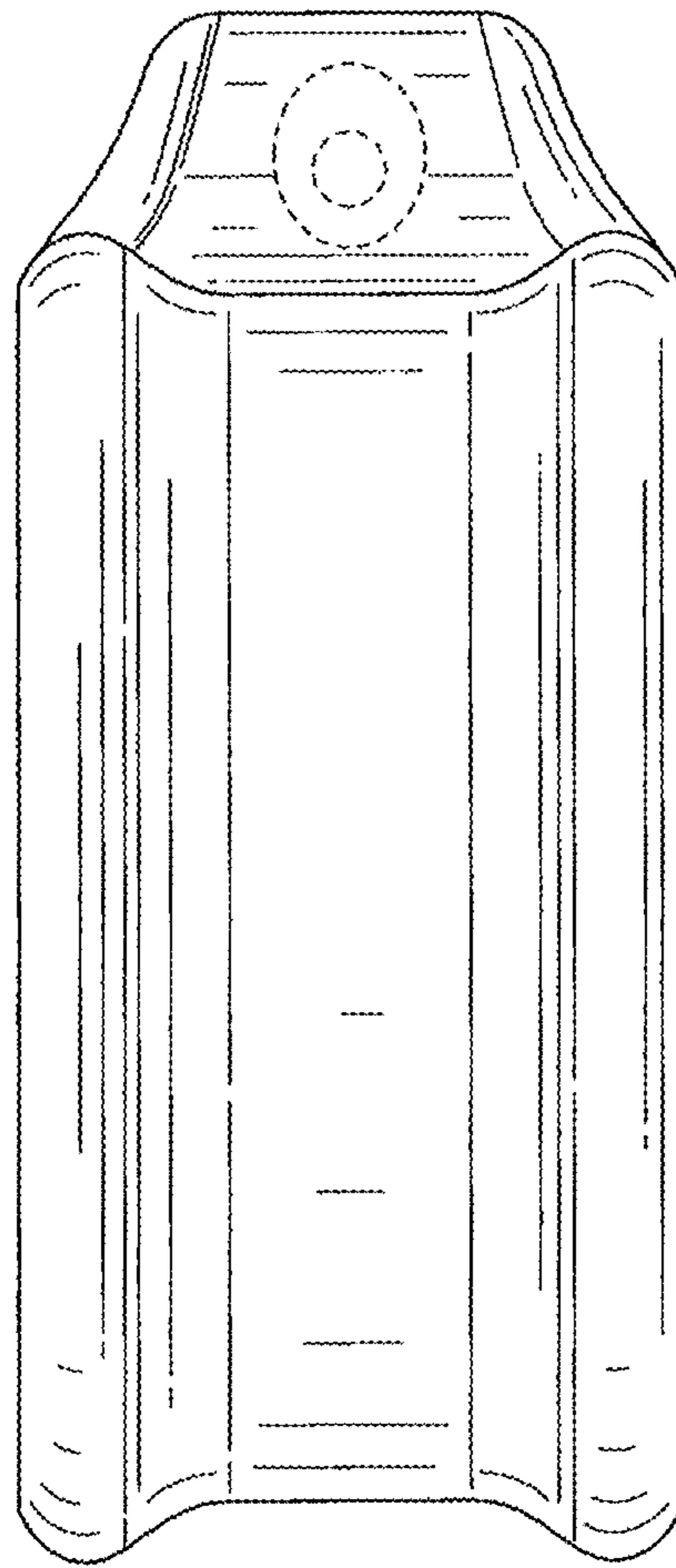


FIG. 5

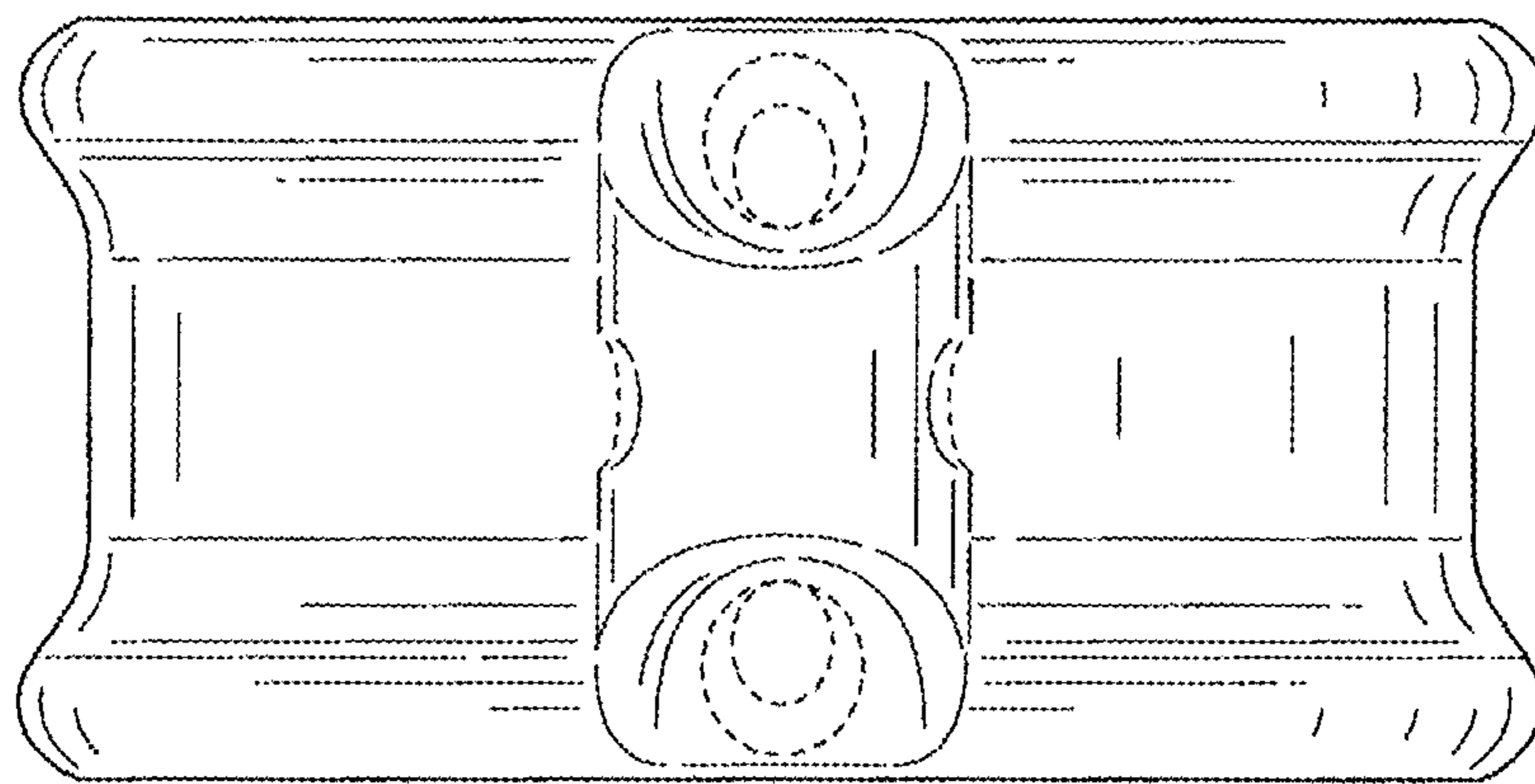


FIG. 6

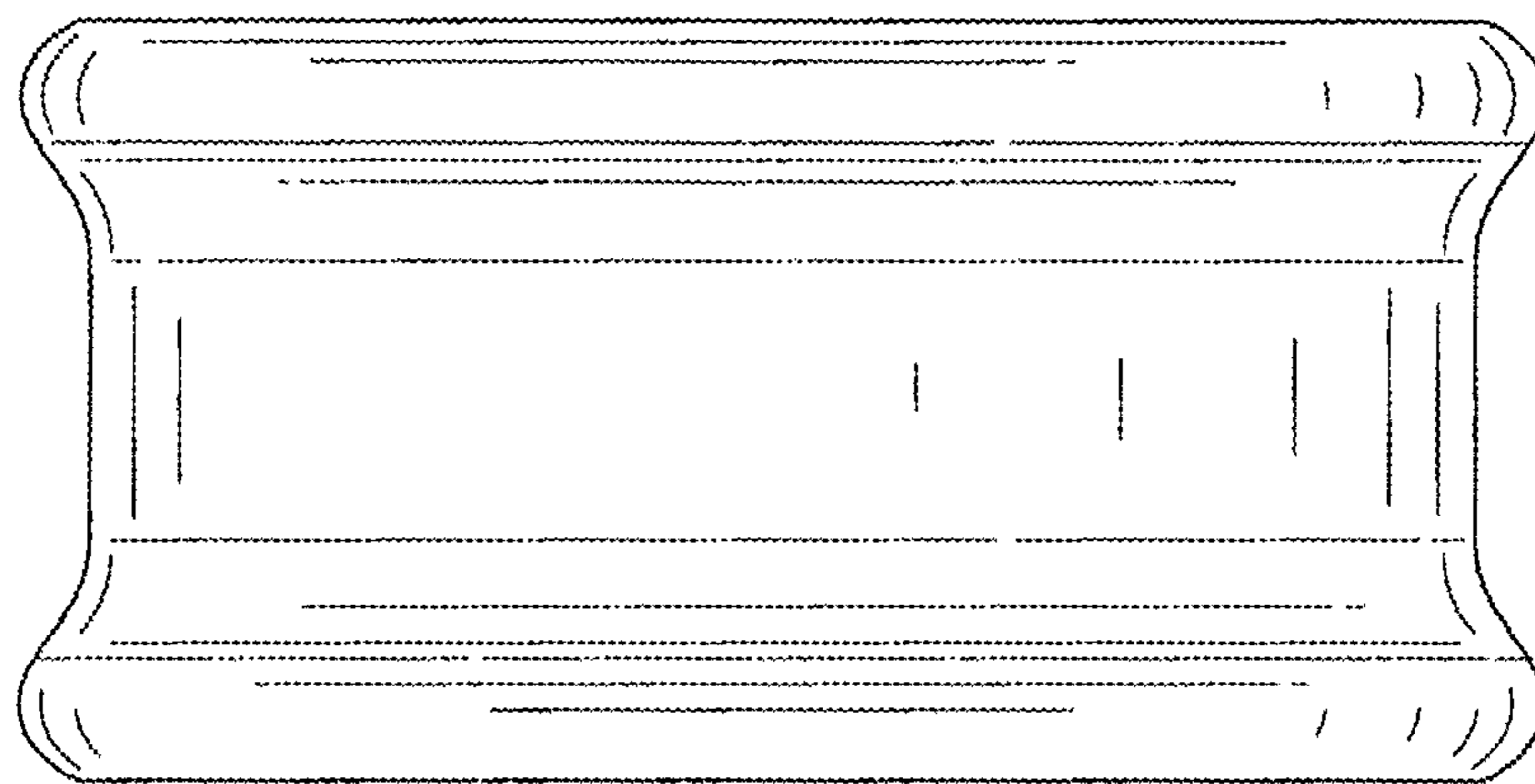


FIG. 7