



US00D928909S

(12) **United States Design Patent**
Ito

(10) **Patent No.:** **US D928,909 S**

(45) **Date of Patent:** **** Aug. 24, 2021**

(54) **REEL SEAT OF FISHING ROD**

(71) Applicant: **Megabass Inc.**, Hamamatsu (JP)

(72) Inventor: **Koichi Ito**, Hamamatsu (JP)

(73) Assignee: **MEGABASS INC.**, Hamamatsu (JP)

(**) Term: **15 Years**

(21) Appl. No.: **29/728,387**

(22) Filed: **Mar. 18, 2020**

(30) **Foreign Application Priority Data**

Jan. 23, 2020 (JP) 2020-001123

(51) **LOC (13) Cl.** **22-05**

(52) **U.S. Cl.**
USPC **D22/142**

(58) **Field of Classification Search**
USPC D22/142-143; 43/18.1 R, 20, 22-23
CPC A01K 87/06; A01K 87/08
See application file for complete search history.

(56) **References Cited**

U.S. PATENT DOCUMENTS

2,777,240 A * 1/1957 Hutchison A01K 87/06
43/22
D349,943 S * 8/1994 Takizawa D22/142

D425,170 S * 5/2000 Ohmura D22/142
D569,946 S * 5/2008 Omura D22/142
D607,534 S * 1/2010 Akiba D22/142

* cited by examiner

Primary Examiner — Catherine R Oliver-Garcia
(74) *Attorney, Agent, or Firm* — Birch, Stewart, Kolasch & Birch, LLP

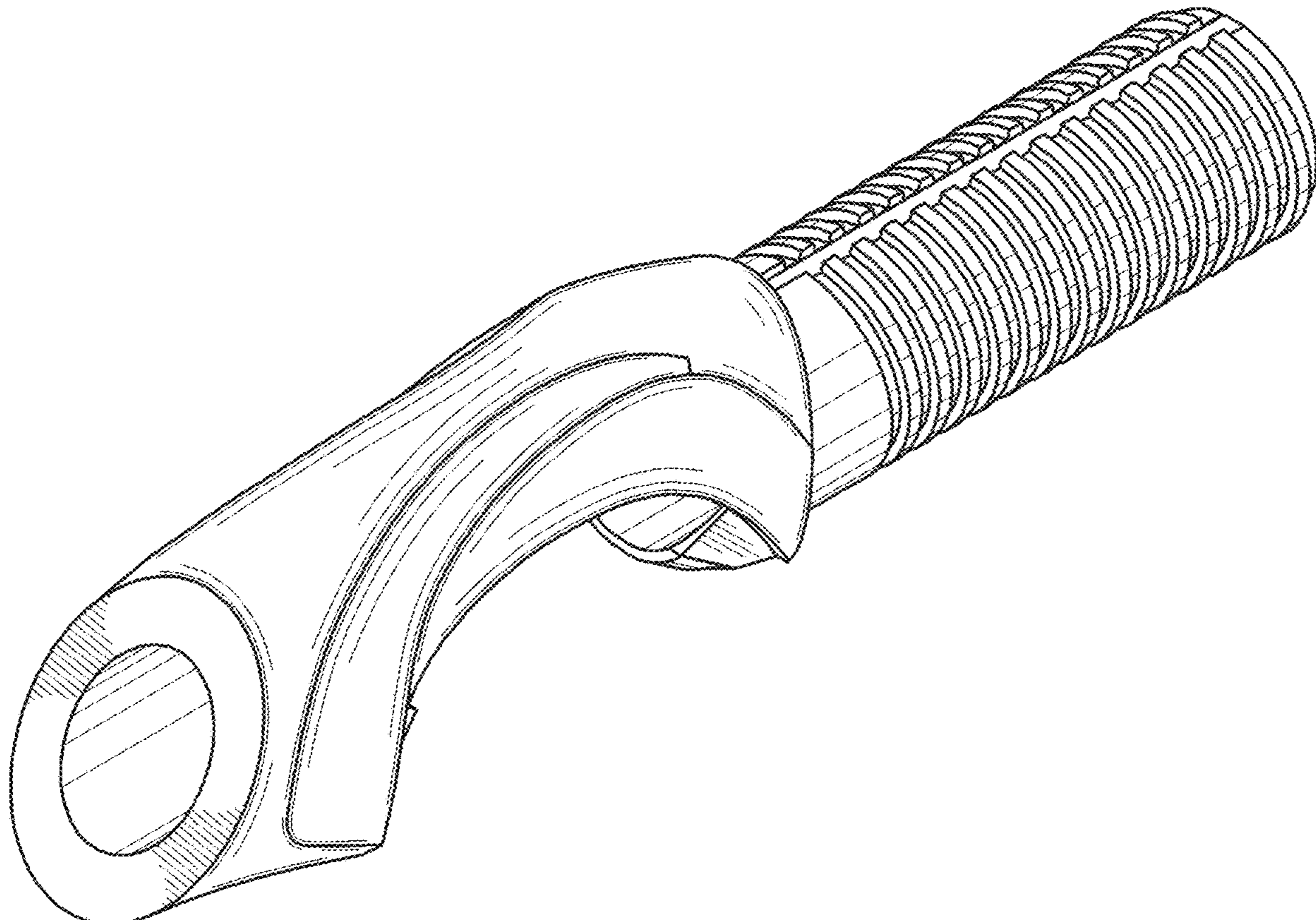
(57) **CLAIM**

The ornamental design for a reel seat of fishing rod, as shown and described.

DESCRIPTION

FIG. 1 is a perspective view of the reel seat of fishing rod showing my new design;
FIG. 2 is a perspective view thereof;
FIG. 3 is a front view thereof,
FIG. 4 is a rear view thereof;
FIG. 5 is a top plan view thereof;
FIG. 6 is a bottom plan view thereof;
FIG. 7 is a right view thereof;
FIG. 8 is a left view thereof;
FIG. 9 is cross sectional view of the design shown in FIG. 5 taken along line 9-9;
FIG. 10 is reference drawing showing a use situation; and,
FIG. 11 is reference drawing showing a use situation.
The portions shown in broken lines depict the environment of the reel seat of fishing rod and form no part of the claimed design.

1 Claim, 11 Drawing Sheets



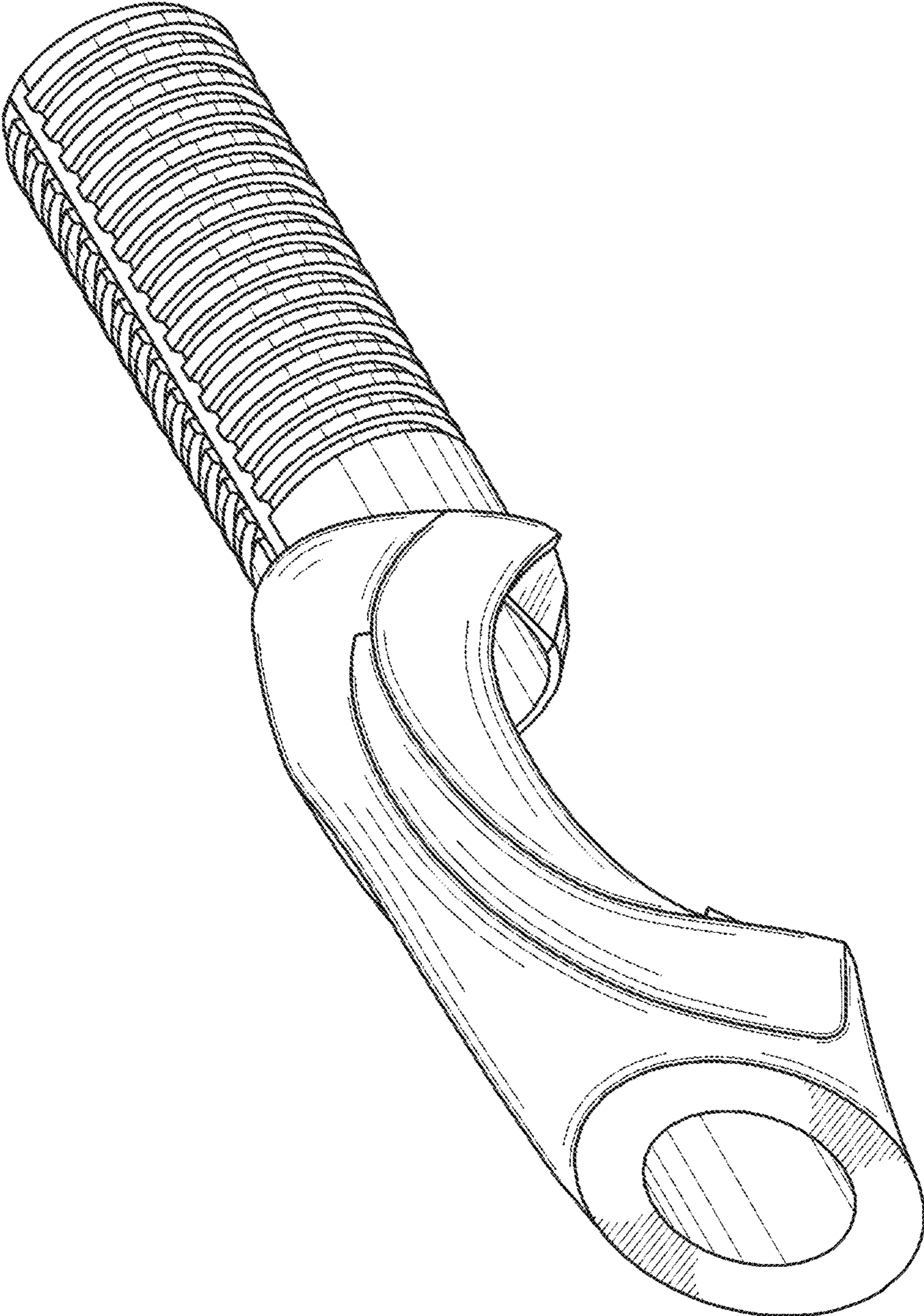


FIG. 1

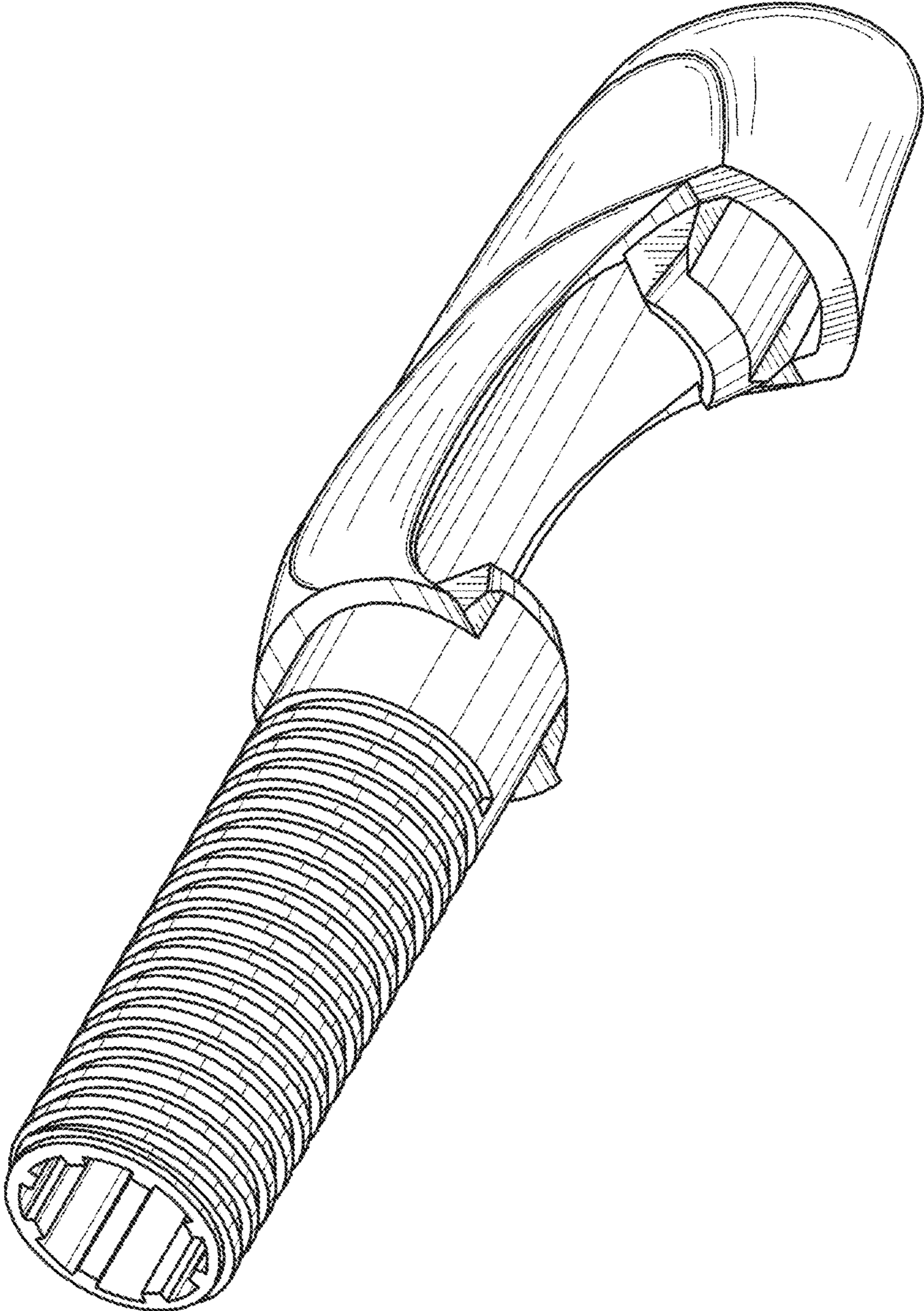


FIG. 2

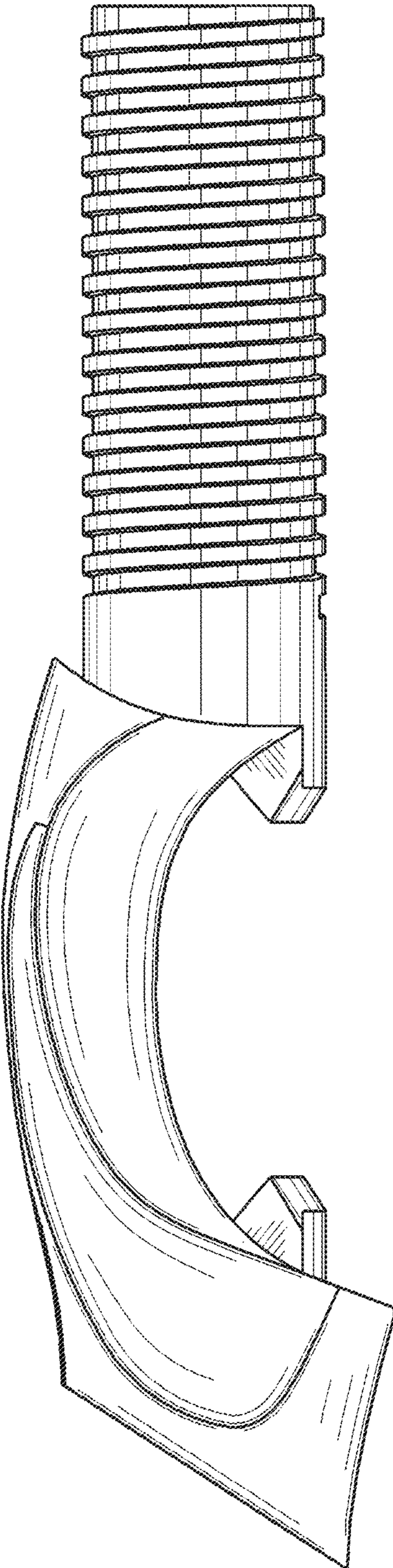


FIG. 3

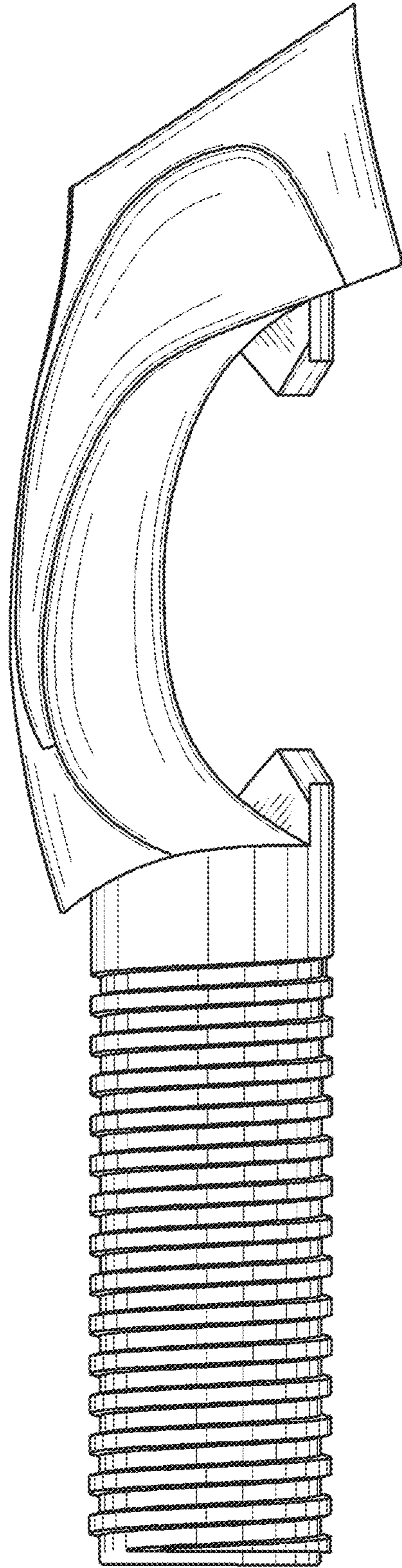


FIG. 4

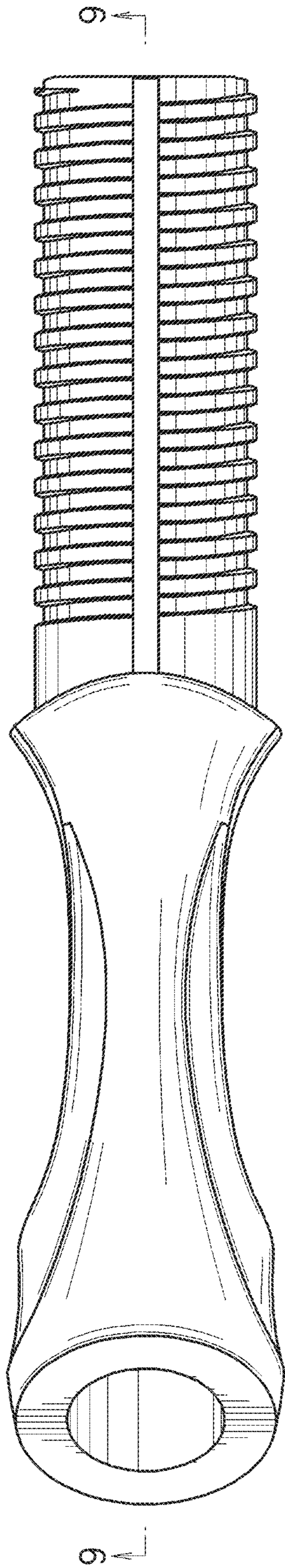


FIG. 5

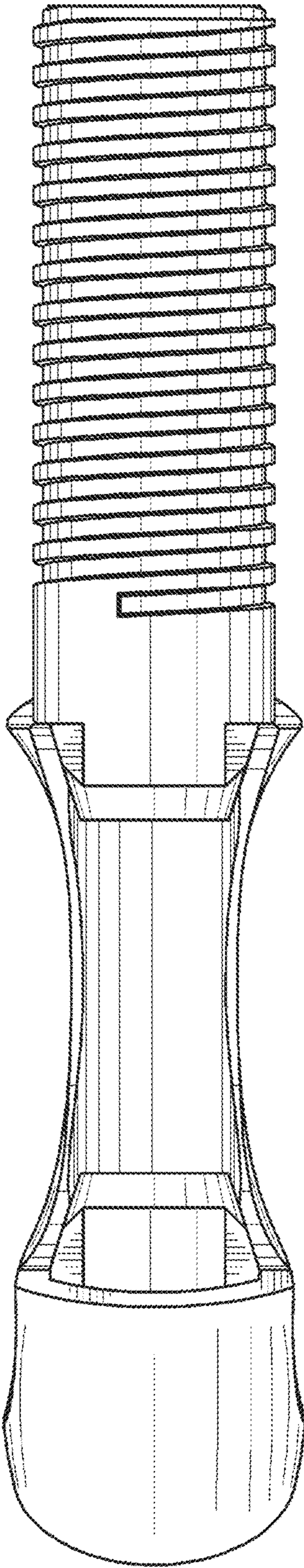


FIG. 6

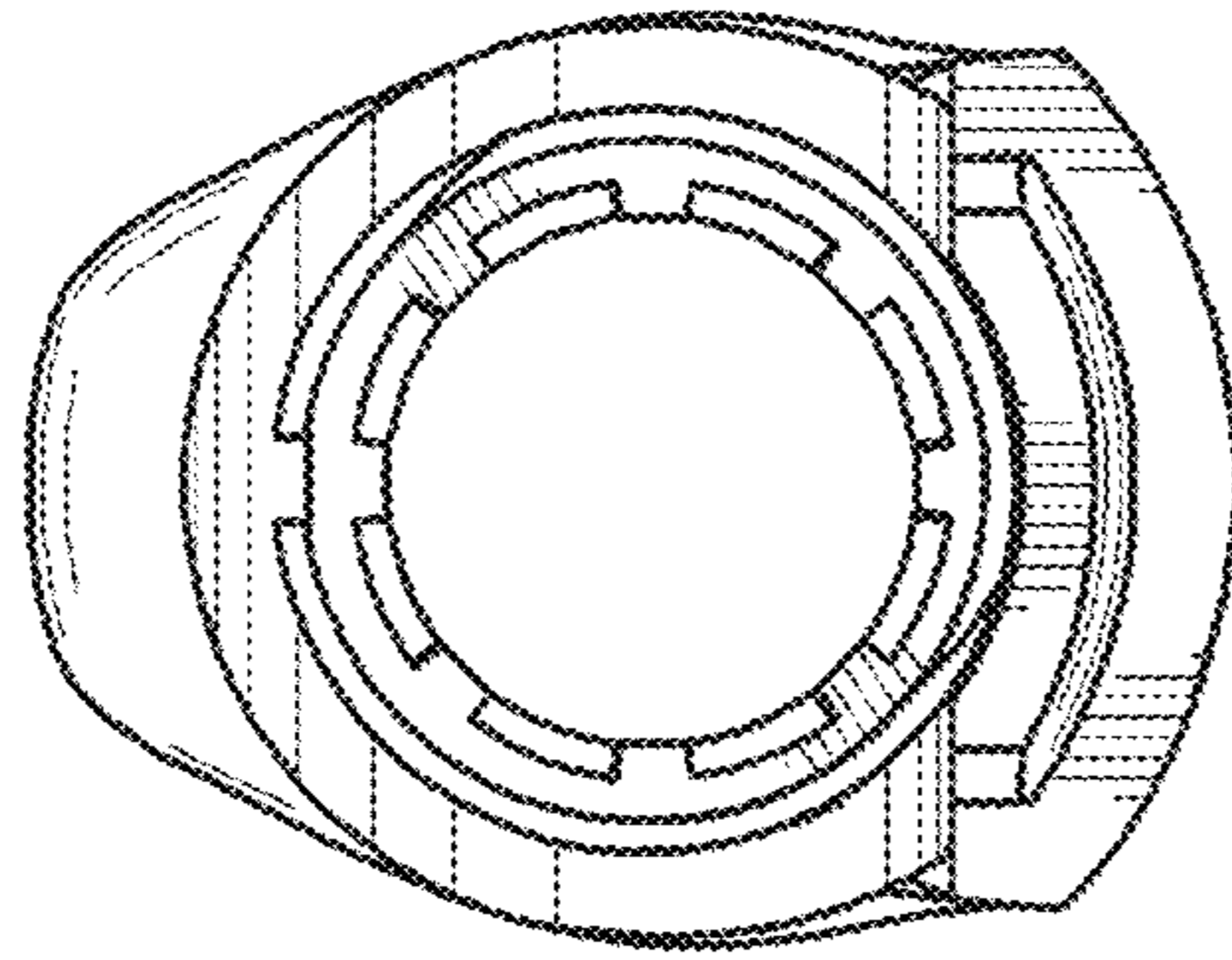


FIG. 7

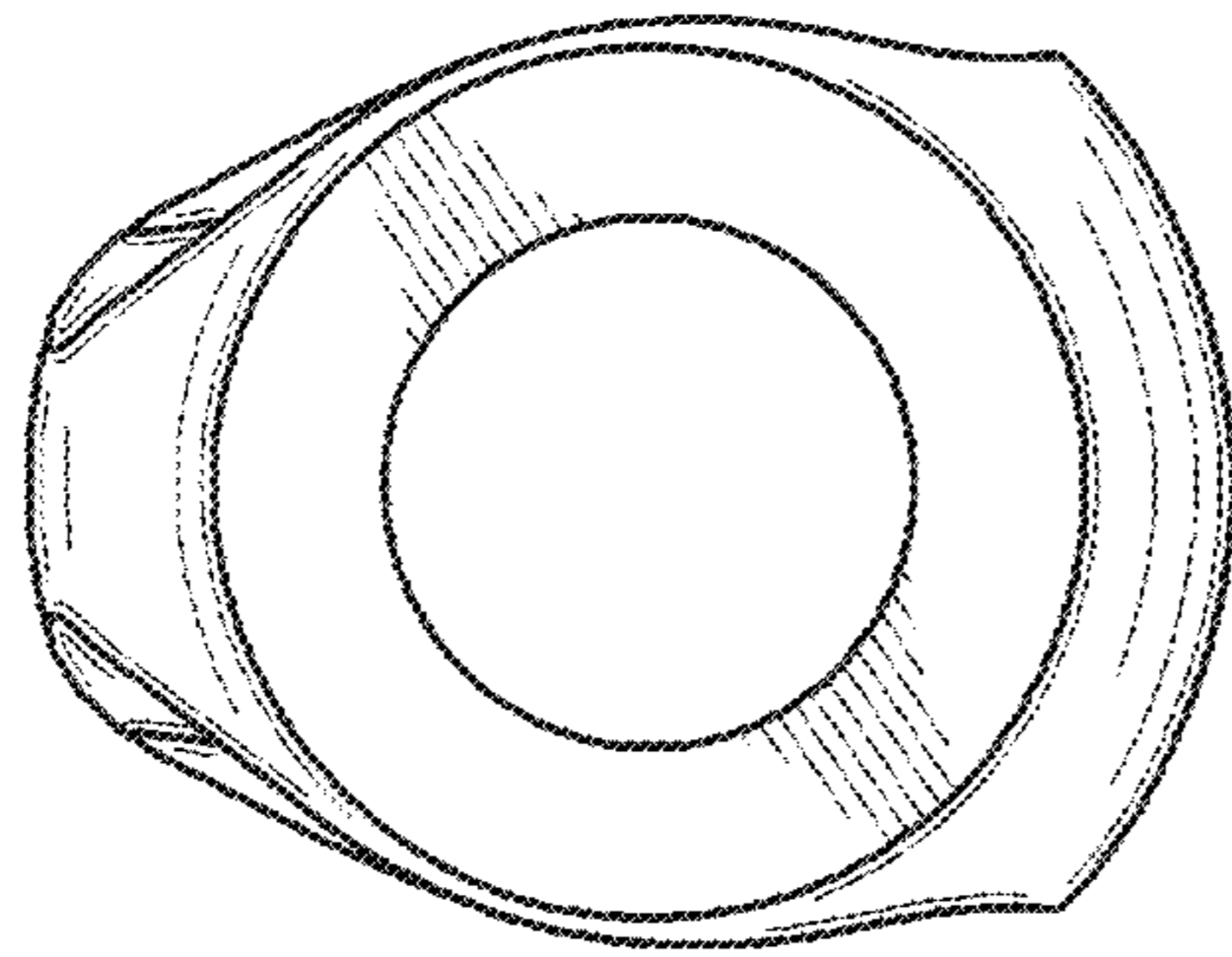


FIG. 8

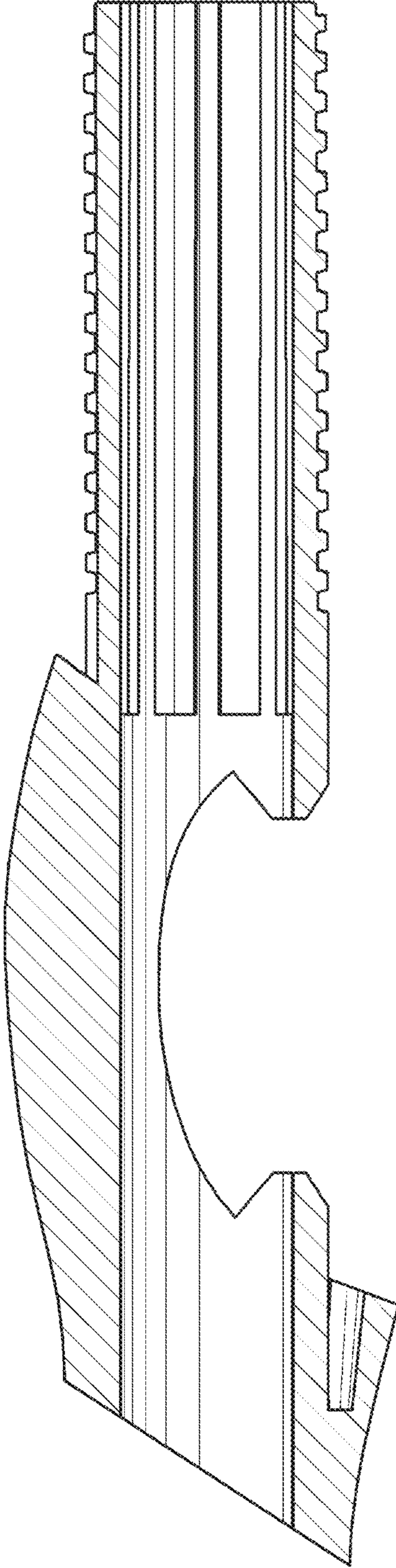


FIG. 9

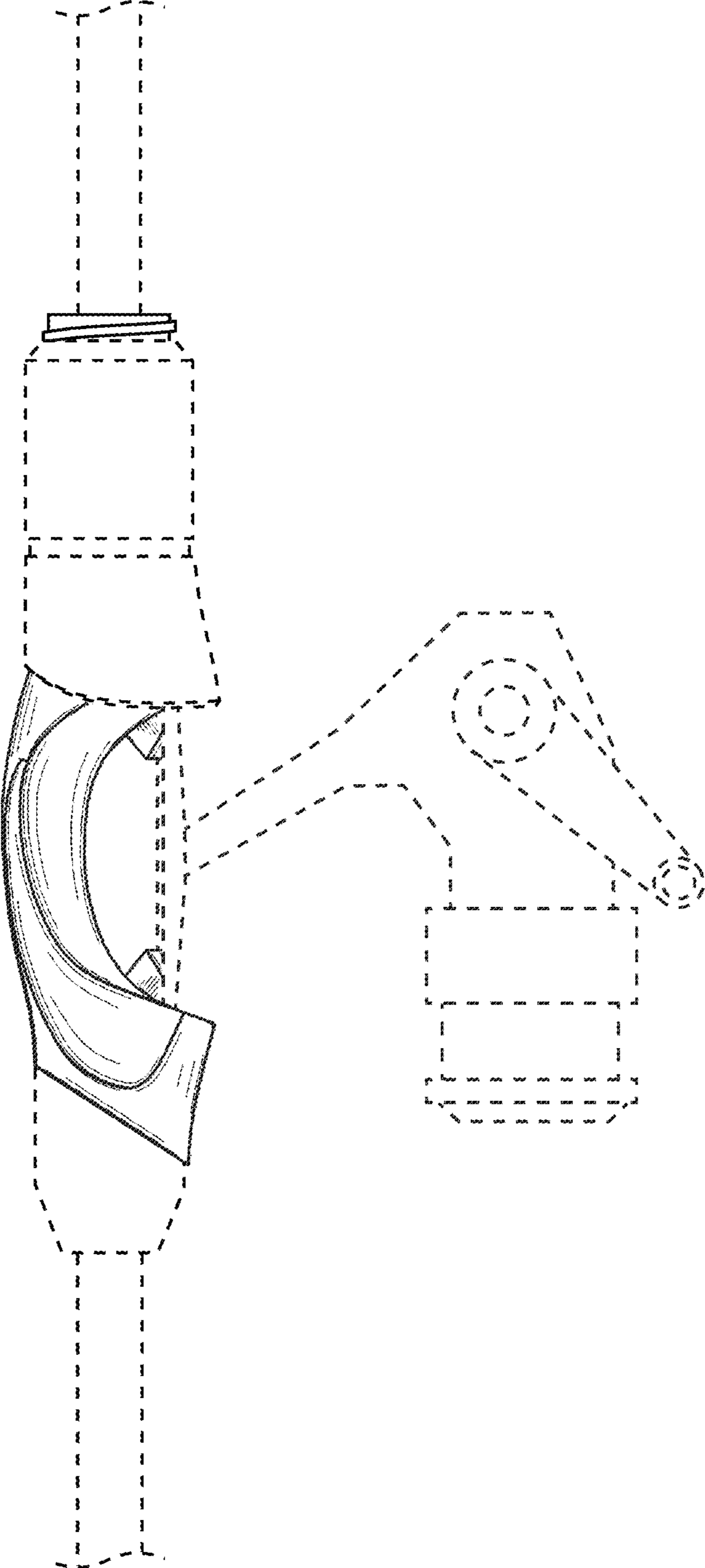


FIG. 10

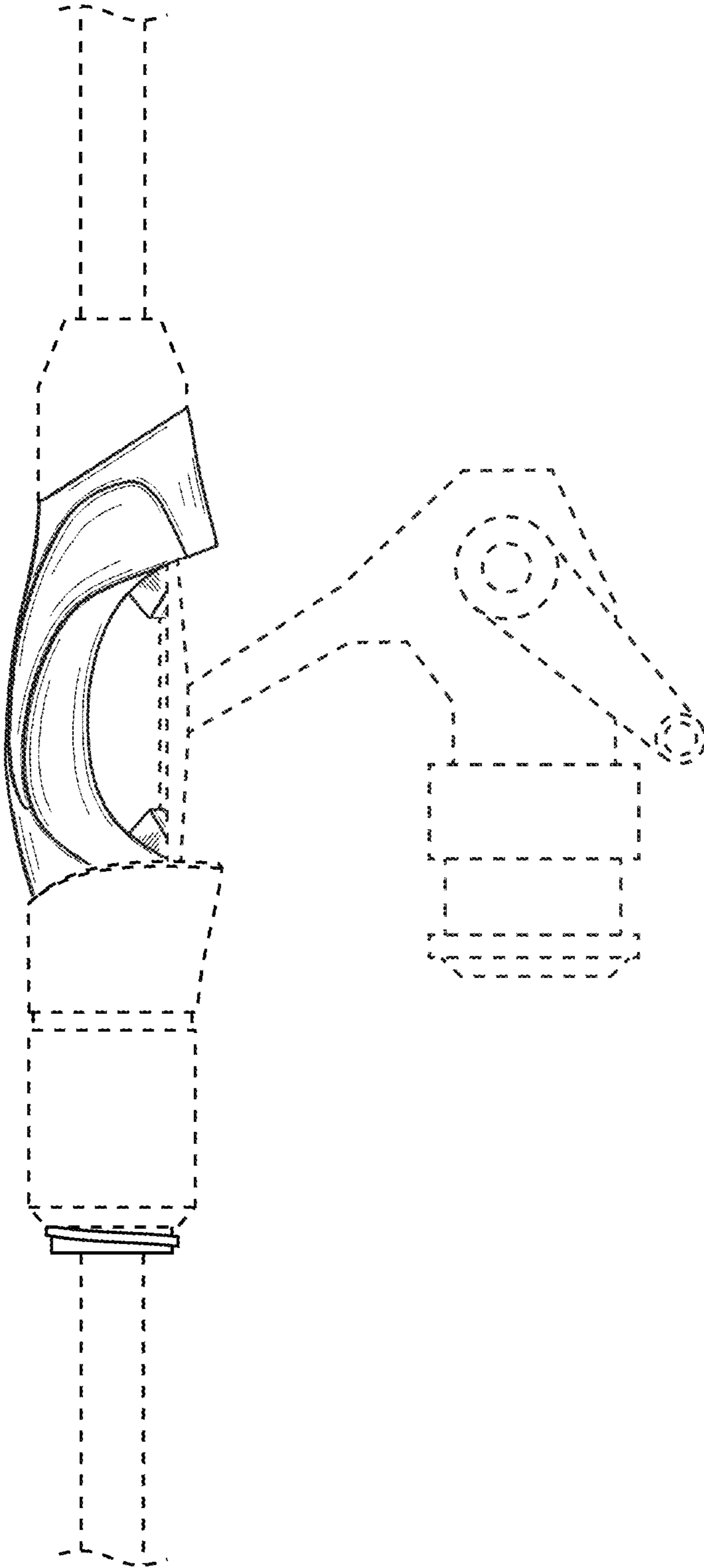


FIG. 11