



US00D928908S

(12) **United States Design Patent** (10) **Patent No.:** **US D928,908 S**
Ito (45) **Date of Patent:** **** Aug. 24, 2021**

(54) **REEL SEAT OF FISHING ROD**
(71) Applicant: **Megabass Inc.**, Hamamatsu (JP)
(72) Inventor: **Koichi Ito**, Hamamatsu (JP)
(73) Assignee: **MEGABASS INC.**, Hamamatsu (JP)
(**) Term: **15 Years**
(21) Appl. No.: **29/728,374**
(22) Filed: **Mar. 18, 2020**
(30) **Foreign Application Priority Data**
Jan. 23, 2020 (JP) 2020-001107
(51) **LOC (13) Cl.** **22-05**
(52) **U.S. Cl.**
USPC **D22/142**
(58) **Field of Classification Search**
USPC D22/142-143; 43/18.1 R, 20, 22-23
CPC A01K 87/06; A01K 87/08
See application file for complete search history.

(56) **References Cited**
U.S. PATENT DOCUMENTS
D314,036 S * 1/1991 Oyama D22/142
D317,345 S * 6/1991 Oyama D22/142
5,291,684 A * 3/1994 Oyama A01K 87/08
43/22
D349,942 S * 8/1994 Oyama D22/142
5,363,585 A * 11/1994 Ohmura A01K 87/08
43/18.1 R
D492,383 S * 6/2004 Saraya D22/142
D569,945 S * 5/2008 Omura D22/142
D593,639 S * 6/2009 Akiba D22/142
D668,737 S * 10/2012 Ito D22/142

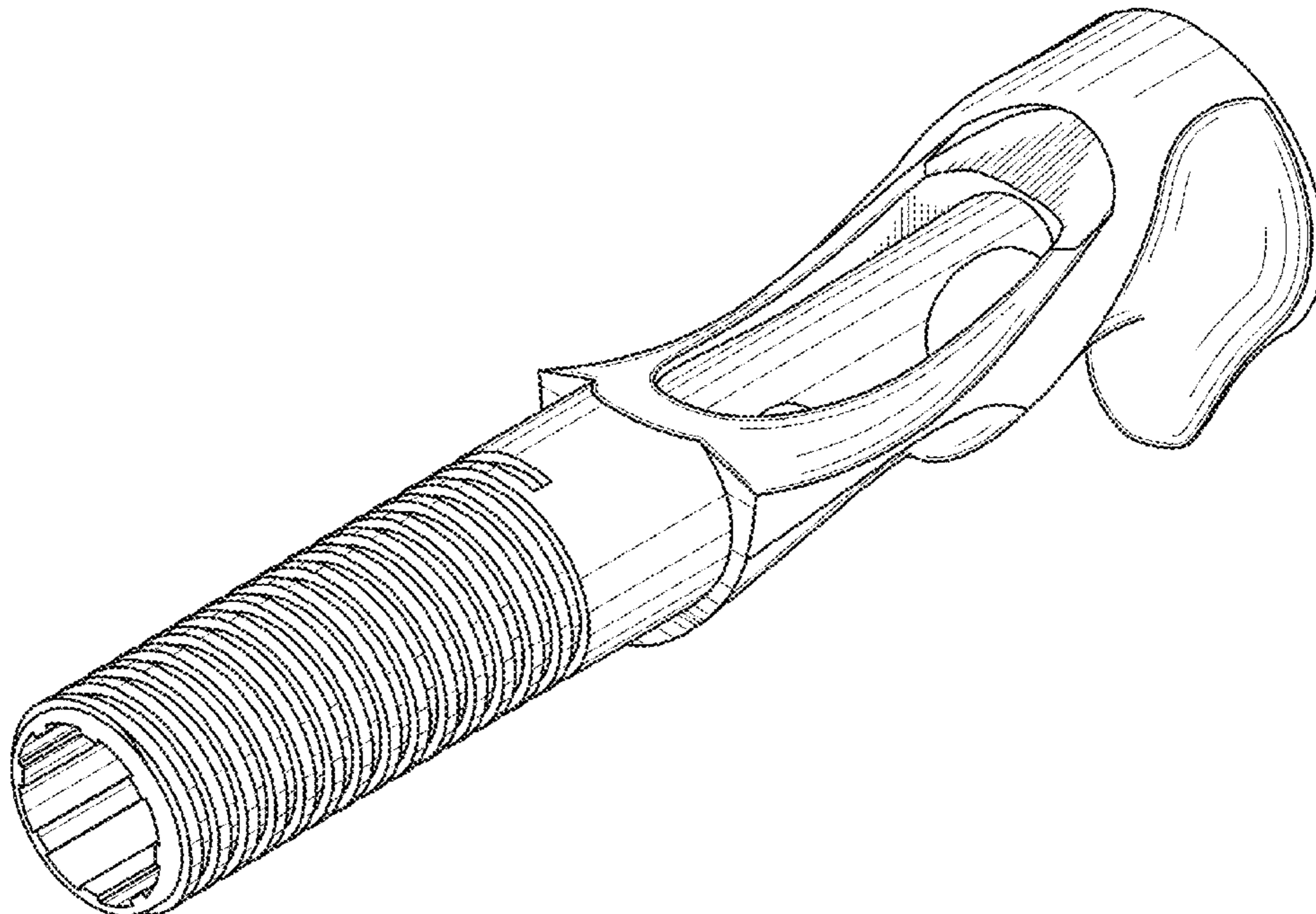
D757,210 S * 5/2016 Kiyota D22/142
D767,087 S * 9/2016 Lin D22/142
D767,088 S * 9/2016 Lin D22/142
2010/0064571 A1* 3/2010 McCune A01K 87/06
43/22
2016/0192628 A1* 7/2016 Omura A01K 87/06
43/22
2019/0166816 A1* 6/2019 Iwata A01K 87/08
* cited by examiner

Primary Examiner — Catherine R Oliver-Garcia
(74) *Attorney, Agent, or Firm* — Birch, Stewart, Kolasch & Birch, LLP

(57) **CLAIM**
The ornamental design for a reel seat of fishing rod, as shown and described.

DESCRIPTION
FIG. 1 is a perspective view of the reel seat of fishing rod showing my new design;
FIG. 2 is a perspective view thereof;
FIG. 3 is a front view thereof;
FIG. 4 is a rear view thereof;
FIG. 5 is a top plan view thereof;
FIG. 6 is a bottom plan view thereof;
FIG. 7 is a right view thereof;
FIG. 8 is a left view thereof;
FIG. 9 is cross sectional view of the design shown in FIG. 5 taken along line 9-9;
FIG. 10 is cross sectional view of the design shown in FIG. 3 taken along line 10-10; and,
FIG. 11 is reference drawing showing a use situation.
The portions shown in broken lines depict the environment of the reel seat of fishing rod and form no part of the claimed design.

1 Claim, 11 Drawing Sheets



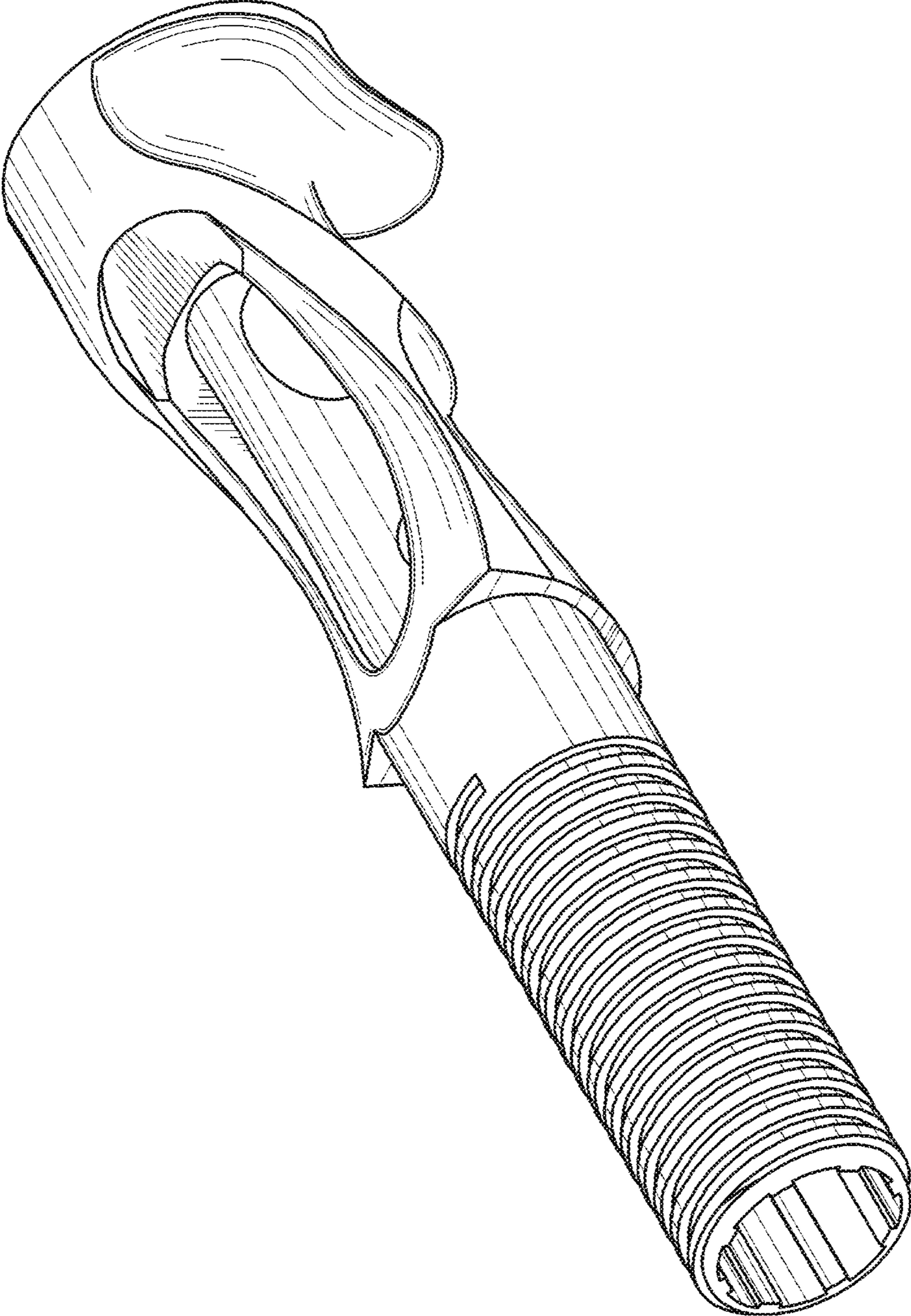


FIG. 1

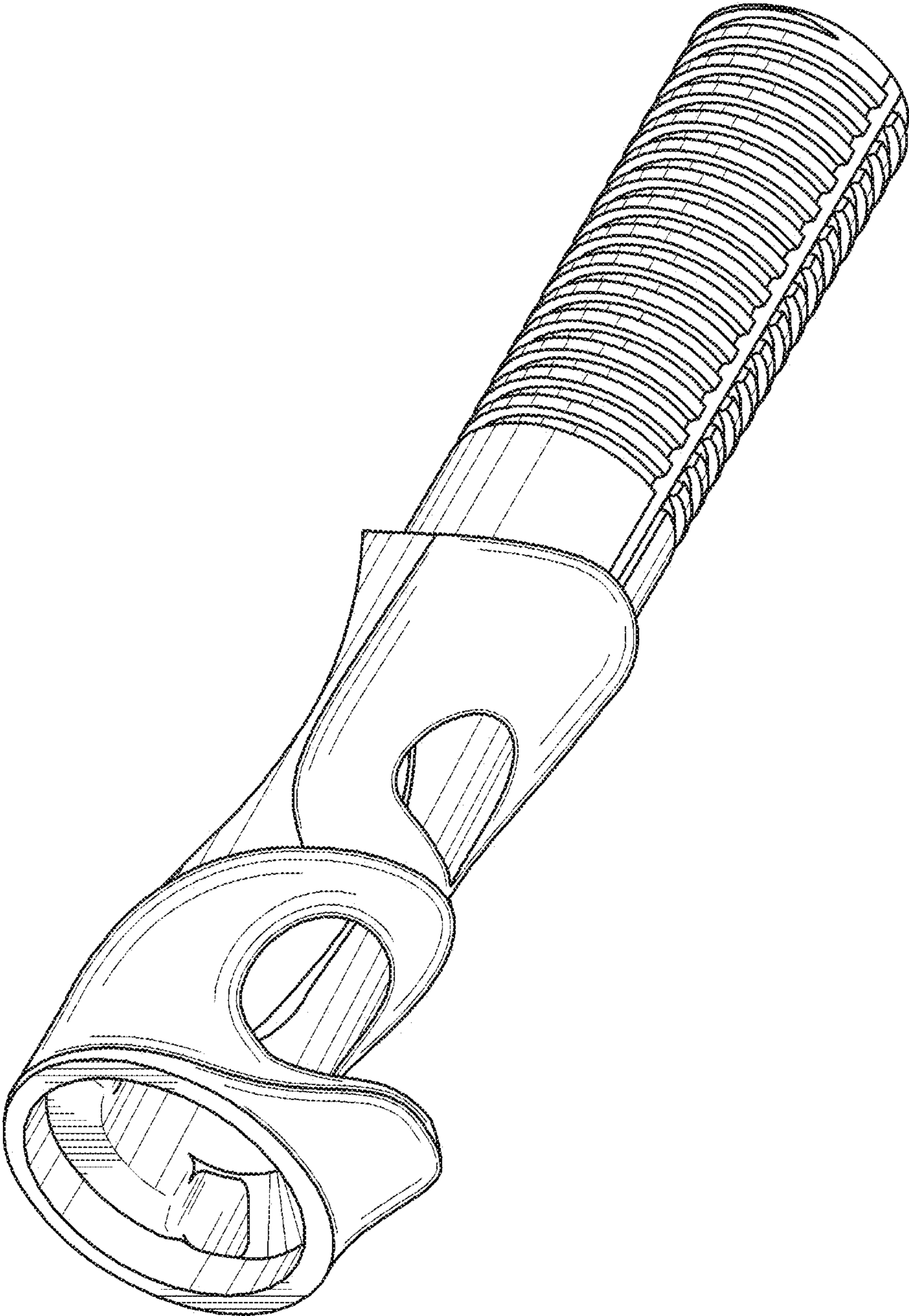


FIG. 2

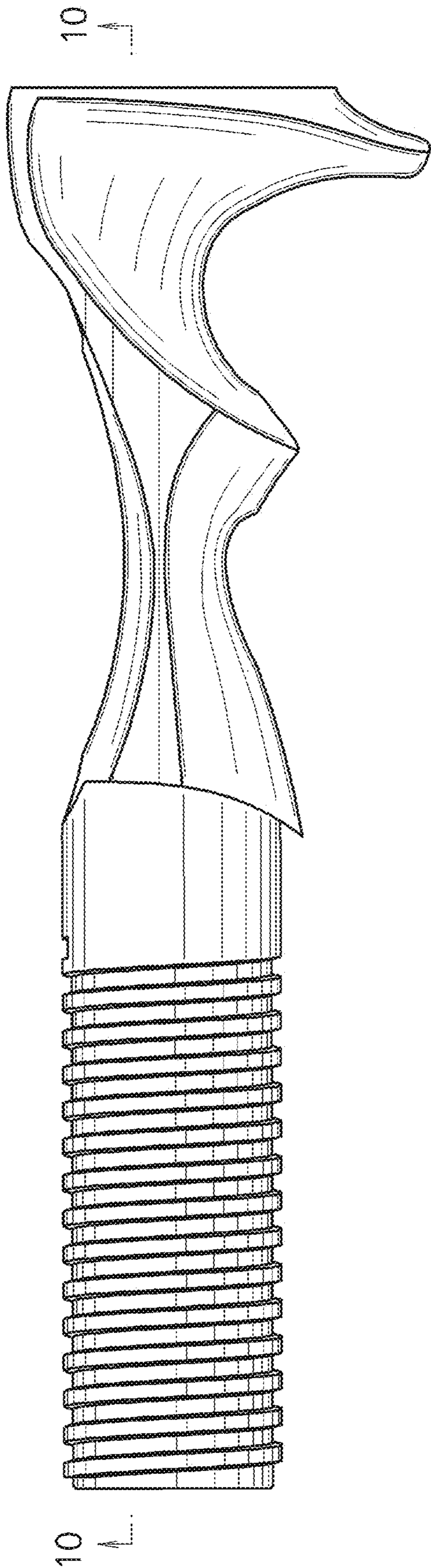


FIG. 3

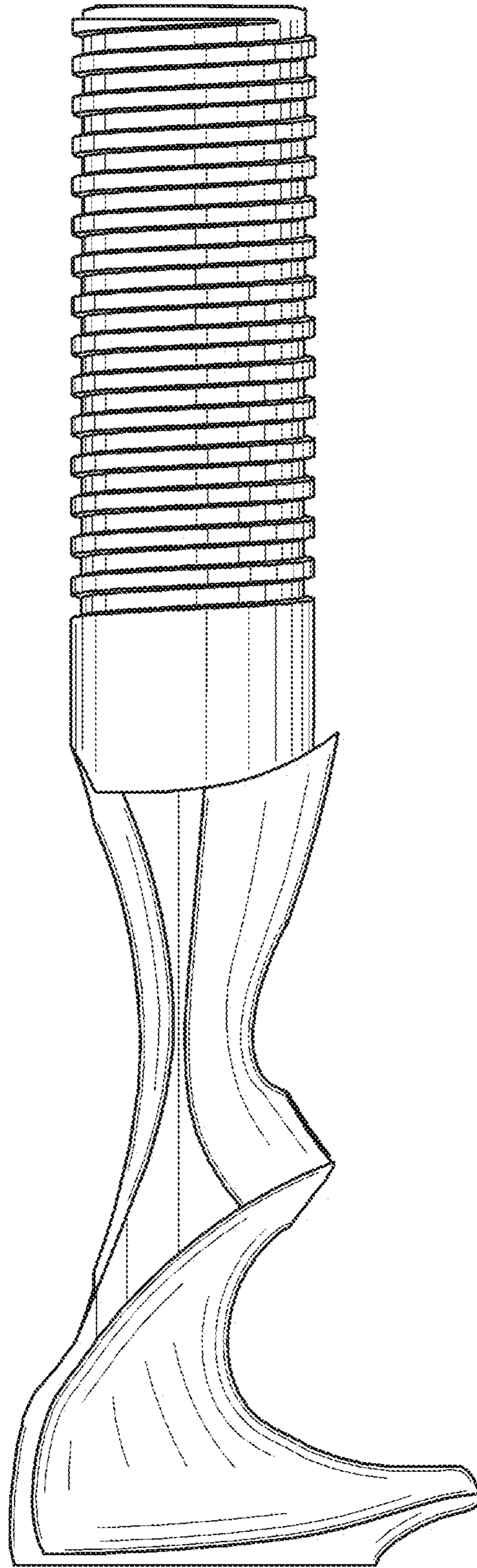


FIG. 4

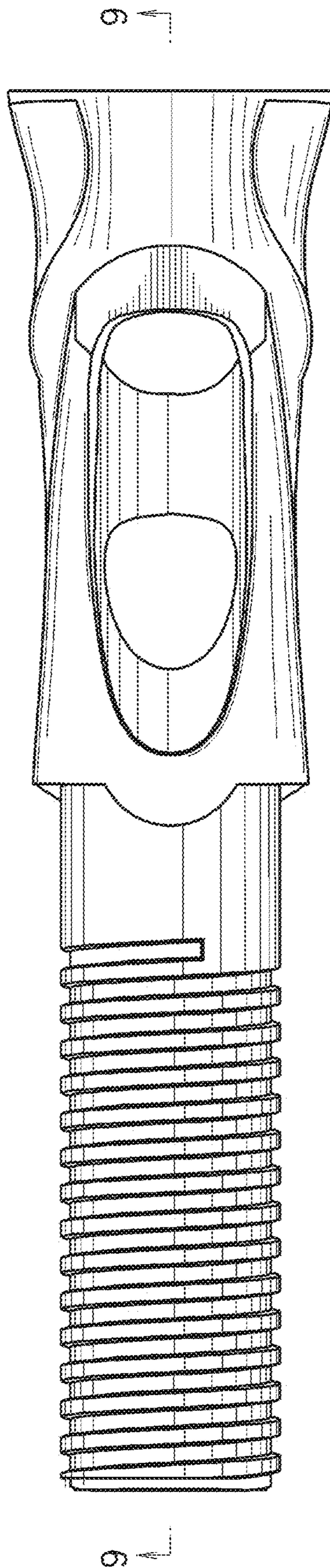


FIG. 5

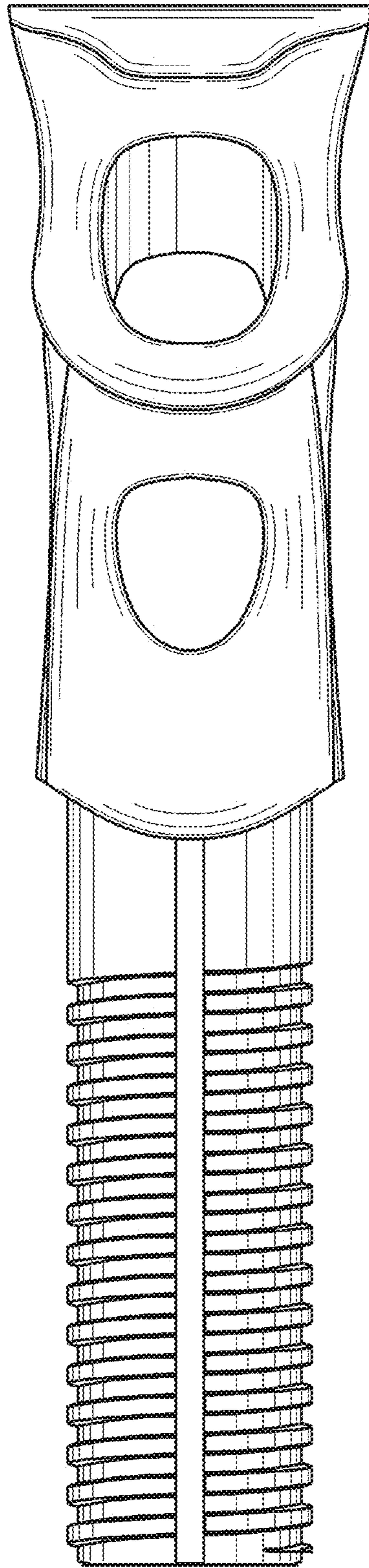


FIG. 6

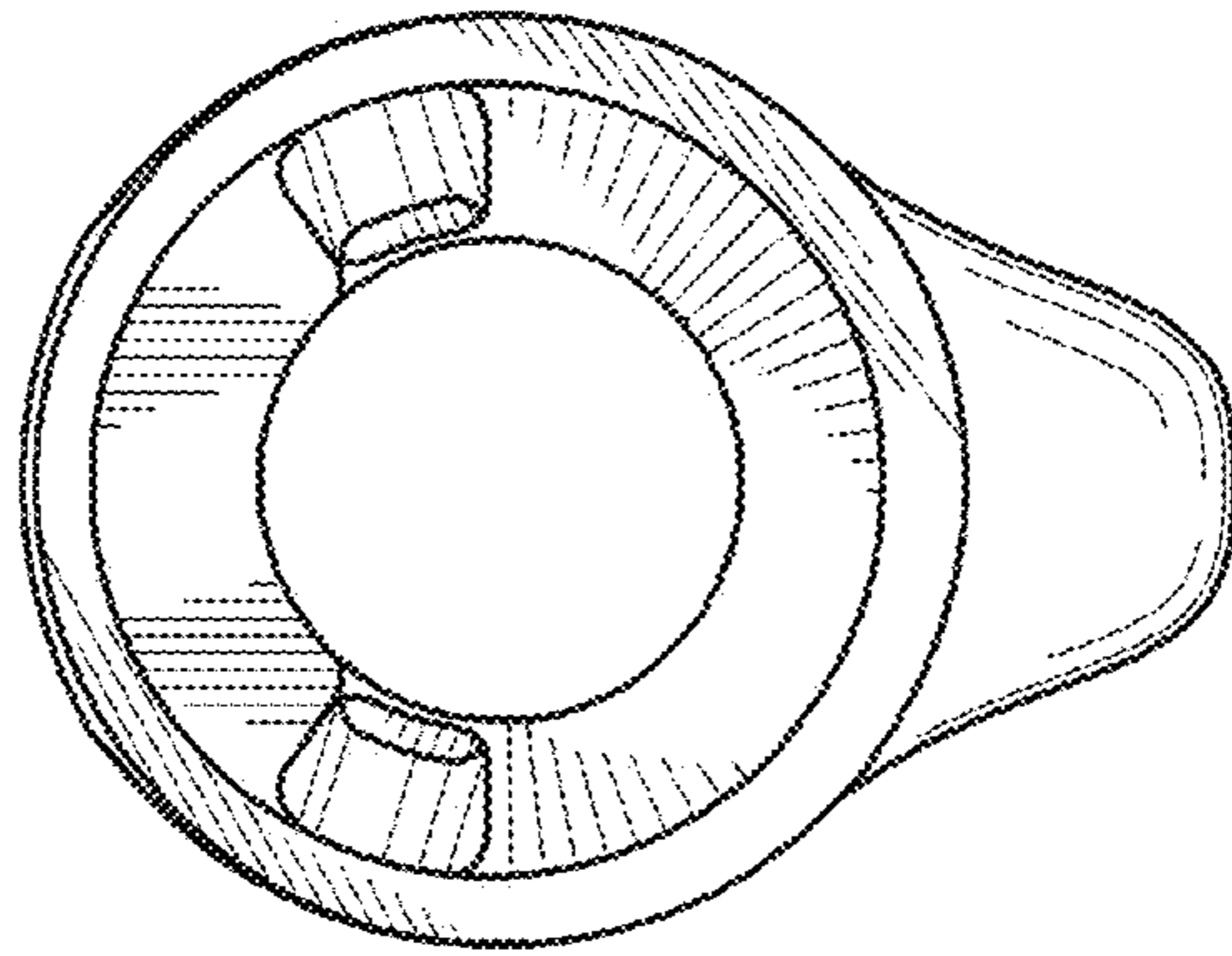


FIG. 7

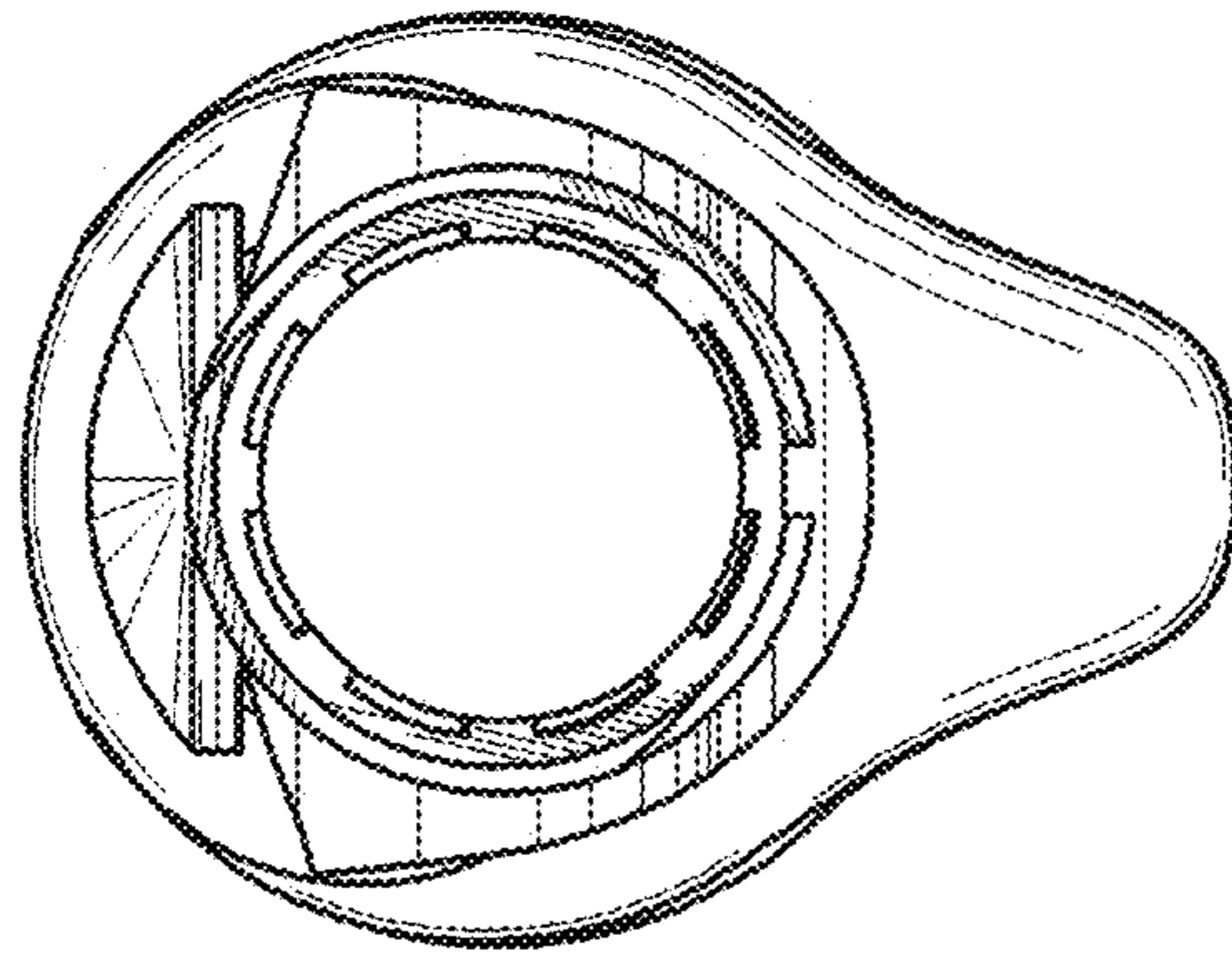


FIG. 8

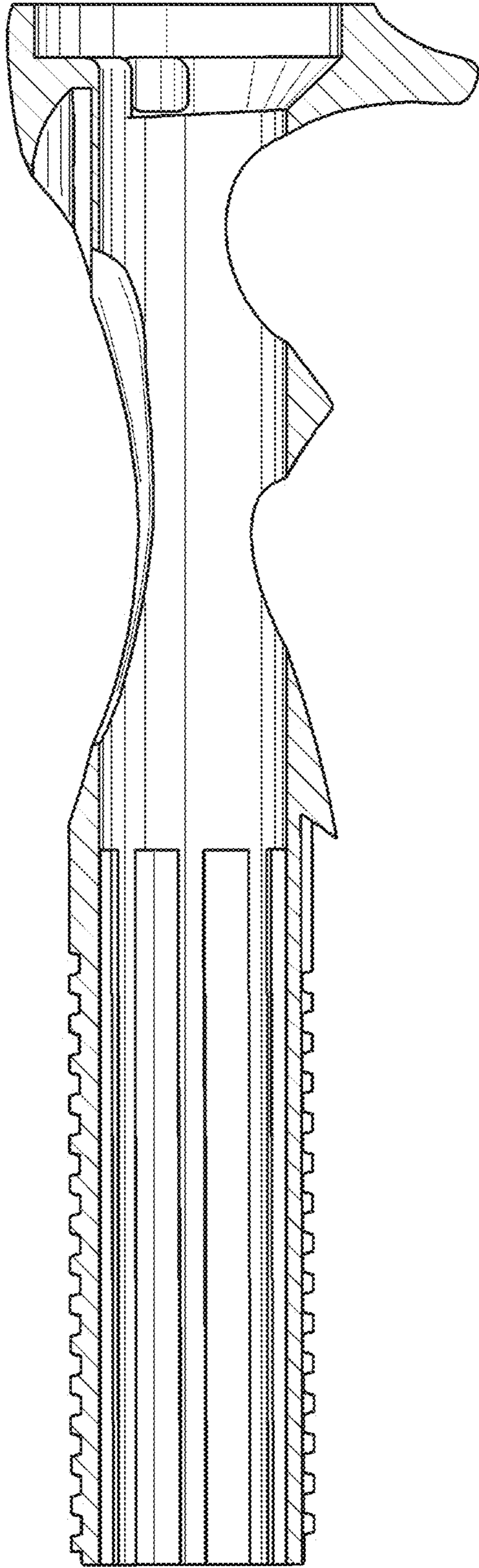


FIG. 9

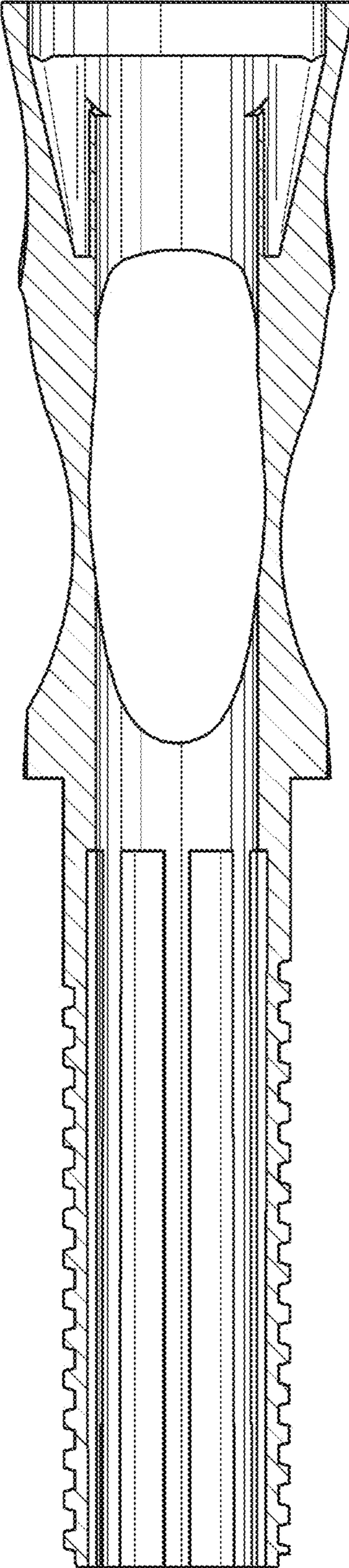


FIG. 10

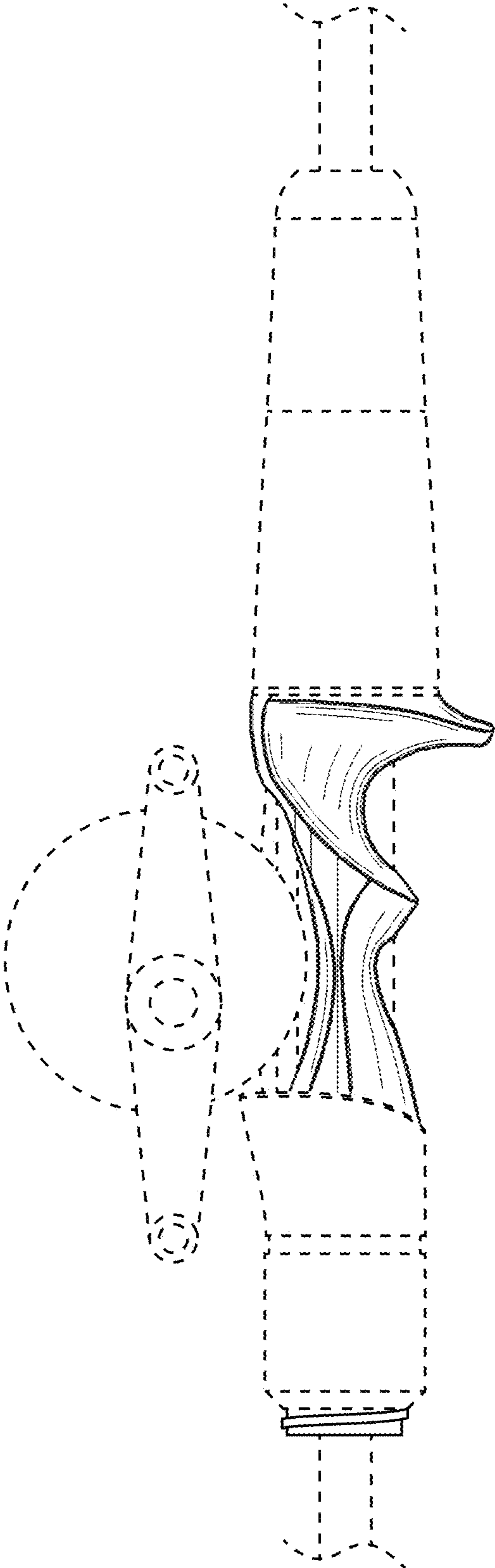


FIG. 11