



US00D928906S

(12) **United States Design Patent** (10) **Patent No.:** **US D928,906 S**
Jin (45) **Date of Patent:** **** Aug. 24, 2021**

(54) **HANDGUN DOUBLE MAGNETIC MOUNT**

(71) Applicant: **Shenzhen Bugle Call Technology Co., Ltd, Shenzhen (CN)**

(72) Inventor: **Yanbin Jin, Qingdao (CN)**

(**) Term: **15 Years**

(21) Appl. No.: **29/763,287**

(22) Filed: **Dec. 22, 2020**

(51) **LOC (13) Cl.** **22-01**

(52) **U.S. Cl.**
USPC **D22/110**

(58) **Field of Classification Search**
USPC D22/110; D6/368, 552; D8/349, 353, D8/373, 380; D14/258
CPC A47B 81/005; A47B 95/00; A47C 7/004; B65D 85/00; B65D 85/48; B65D 81/056; B65D 2581/053; B65D 81/05; E04F 13/06; E04F 19/0436; E04F 19/0495; E04H 15/32; F16B 45/00
See application file for complete search history.

(56) **References Cited**

U.S. PATENT DOCUMENTS

- 8,602,216 B1 * 12/2013 Lin B65D 75/322 206/464
D777,841 S * 1/2017 Kott D20/43
D806,818 S 1/2018 Major
D811,511 S * 2/2018 Jenkinson D22/108
D811,512 S * 2/2018 Jenkinson D22/108
10,024,615 B1 * 7/2018 Oh E05B 47/0001
D835,748 S 12/2018 Stewart

- D849,179 S * 5/2019 Staes D22/109
D864,345 S 10/2019 Yi
D882,718 S * 4/2020 Wu D22/110
D899,547 S 10/2020 Warner
2015/0377578 A1 * 12/2015 Tucker F41A 23/18 248/309.4
2017/0318697 A1 * 11/2017 Lebovitz F16B 11/006
2018/0142989 A1 * 5/2018 Tedder F41C 33/041
2018/0191930 A1 * 7/2018 Jeong H05K 1/144
2020/0049444 A1 * 2/2020 Cerda F41A 23/18
2020/0070030 A1 * 3/2020 Timm G01S 19/19

* cited by examiner

Primary Examiner — Michael A. Pratt

(74) *Attorney, Agent, or Firm* — Rumit R. Kanakia

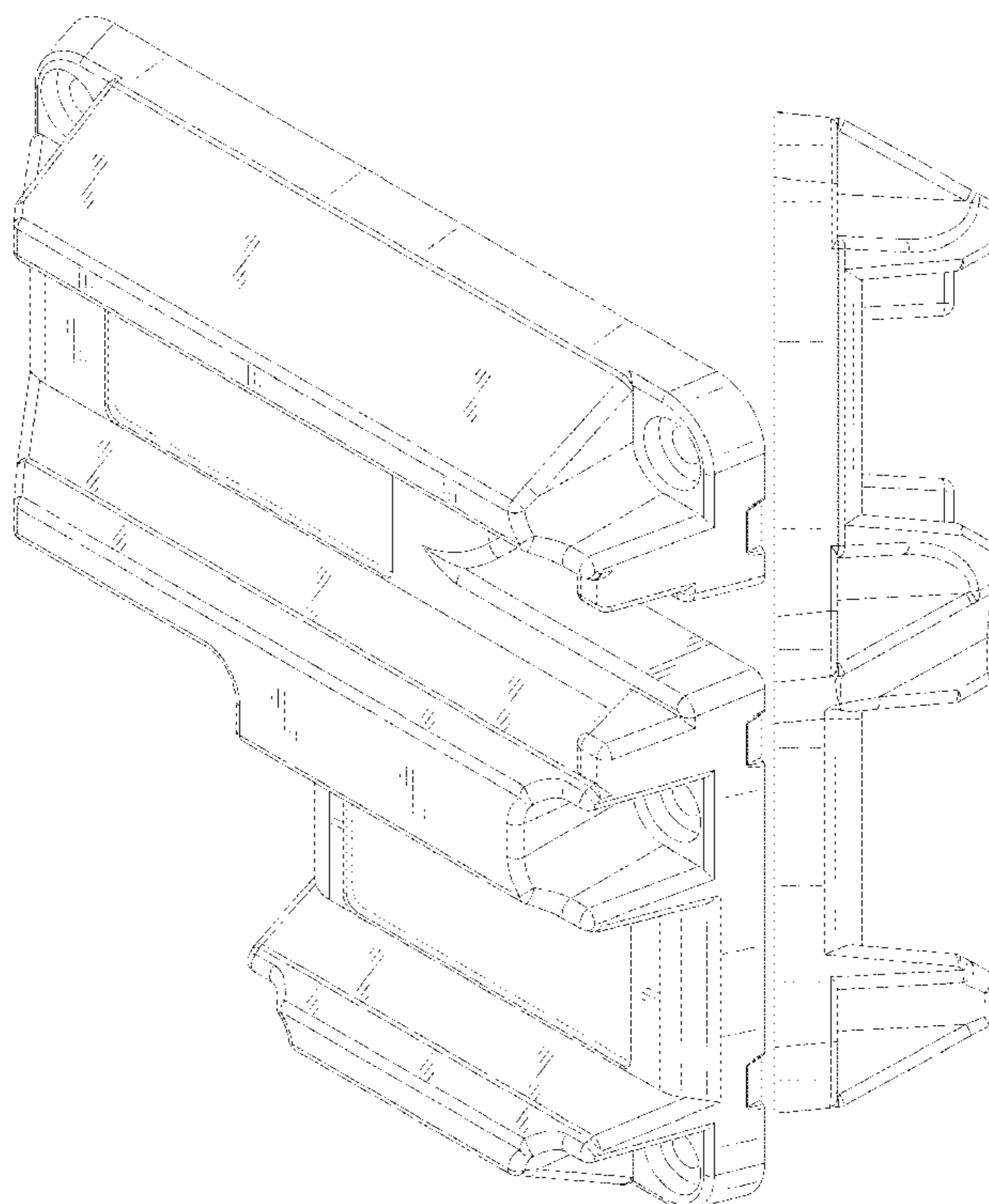
(57) **CLAIM**

I claim the ornamental design for a handgun double magnetic mount, as shown and described.

DESCRIPTION

FIG. 1 is a Perspective view of a handgun double magnetic mount showing my new design;
FIG. 2 is a Front view thereof;
FIG. 3 is a Back view thereof;
FIG. 4 is a Right-side view thereof;
FIG. 5 is a Left-side view thereof;
FIG. 6 is a Top view thereof; and,
FIG. 7 is a Bottom view thereof.
The broken lines in the drawings depict portions of the handgun double magnetic mount that form no part of the claimed design.

1 Claim, 6 Drawing Sheets



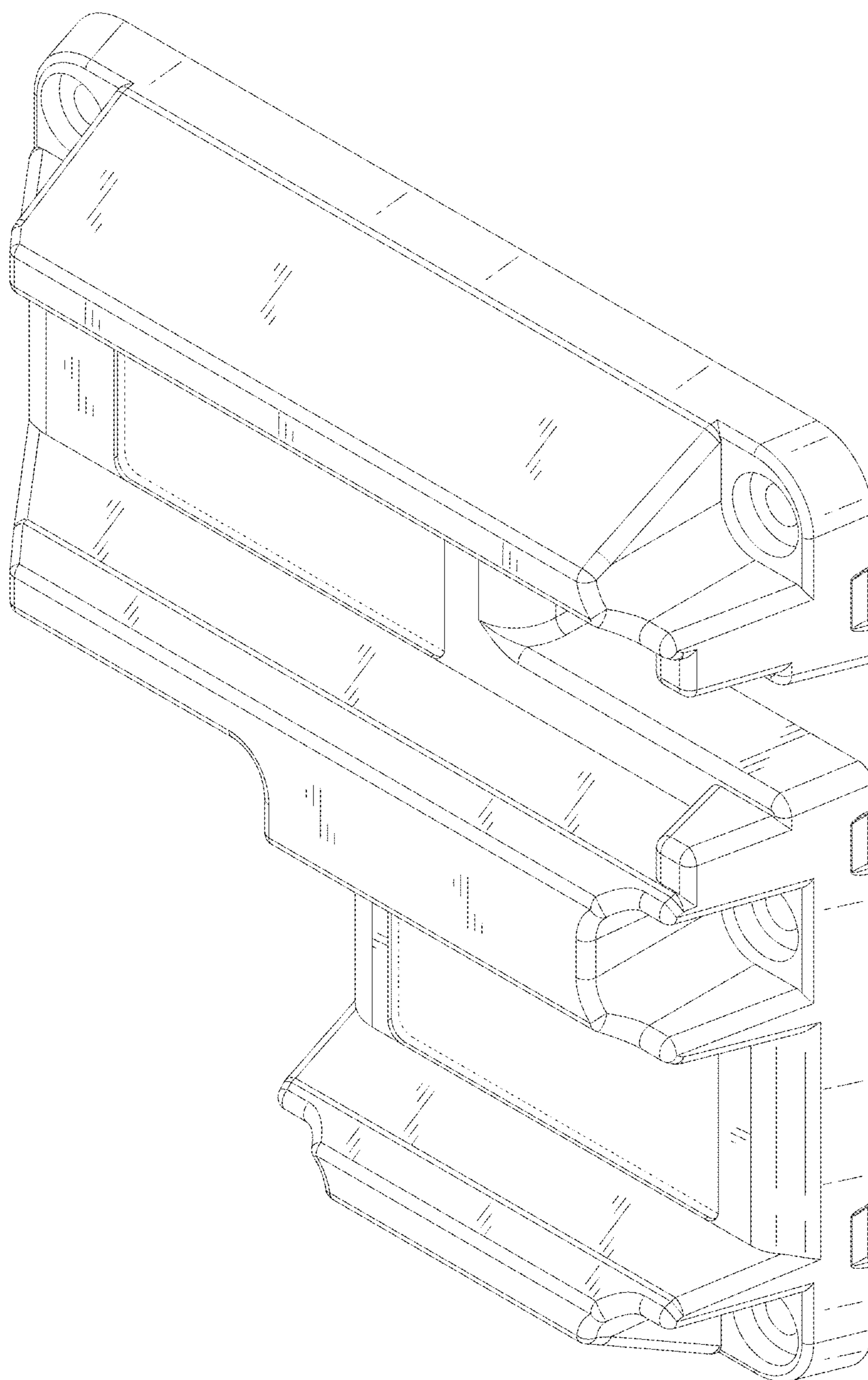


FIG. 1

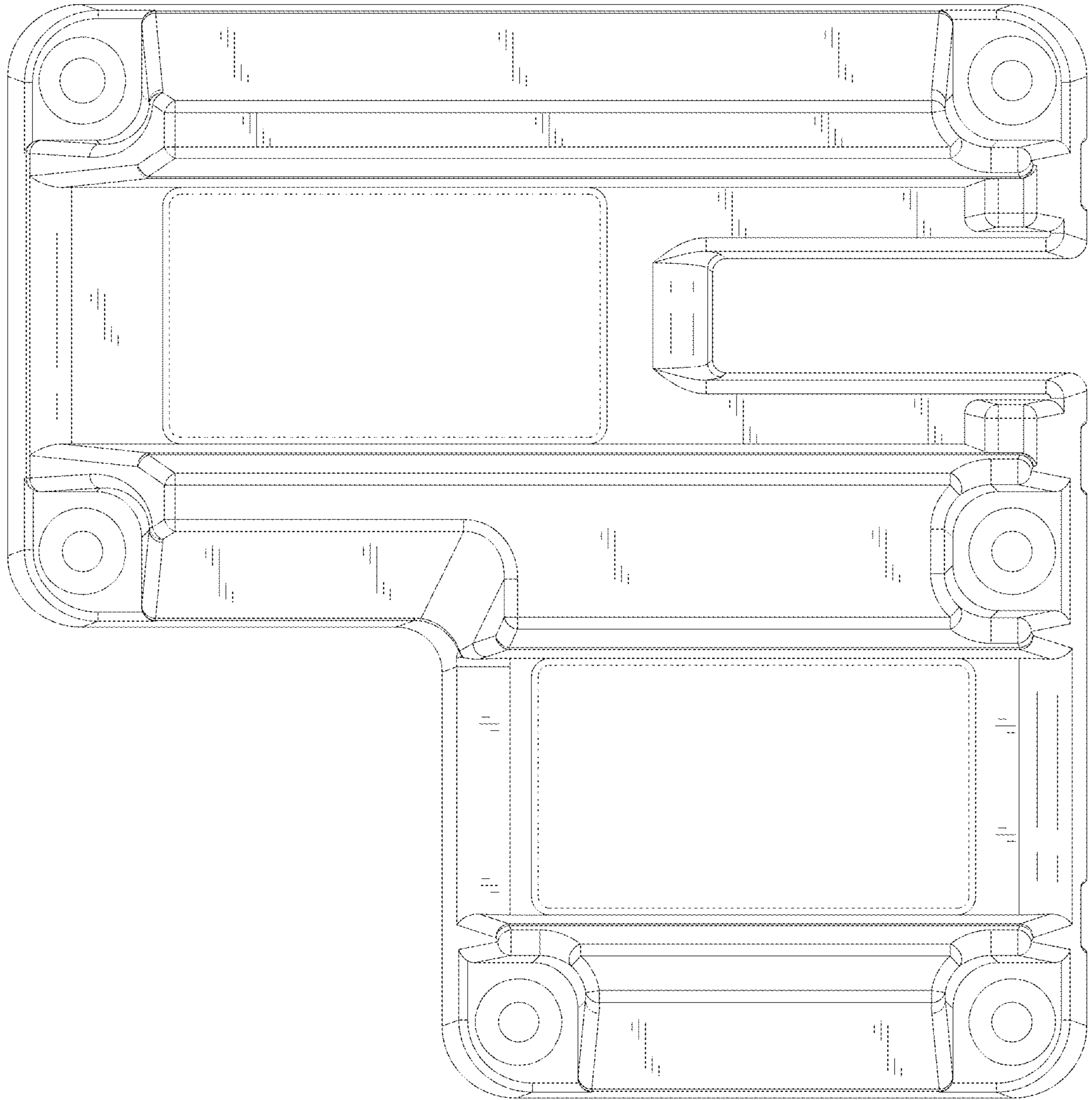


FIG. 2

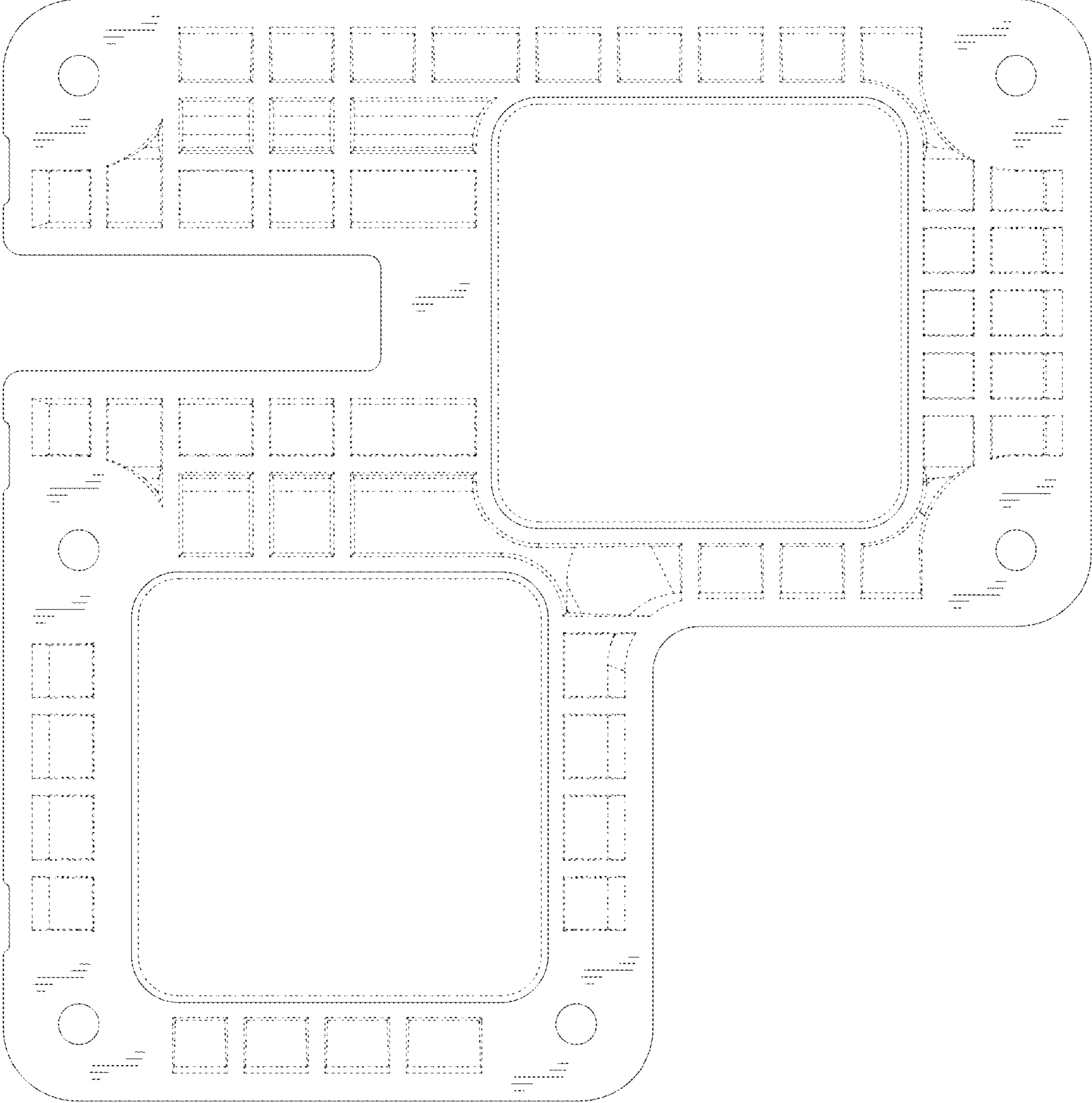


FIG. 3

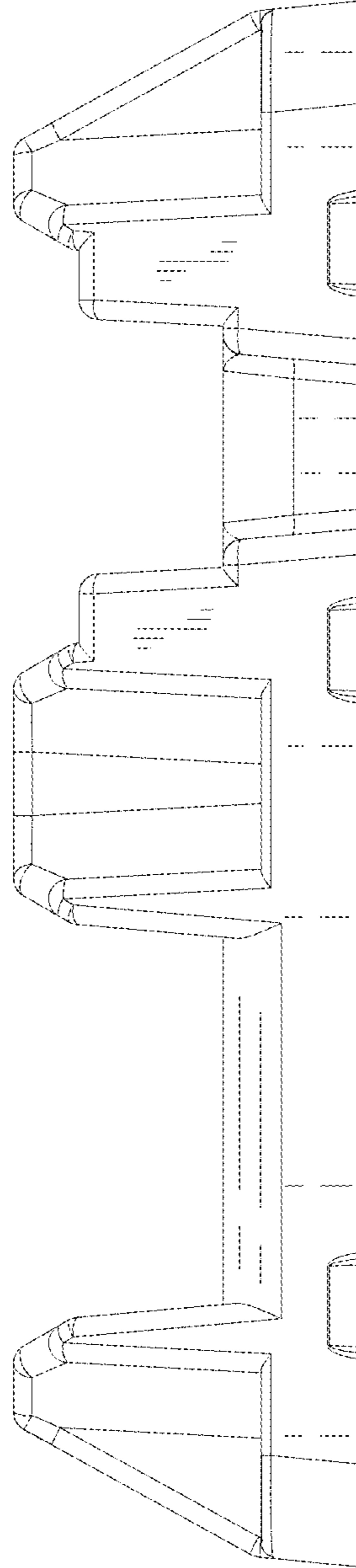


FIG. 4

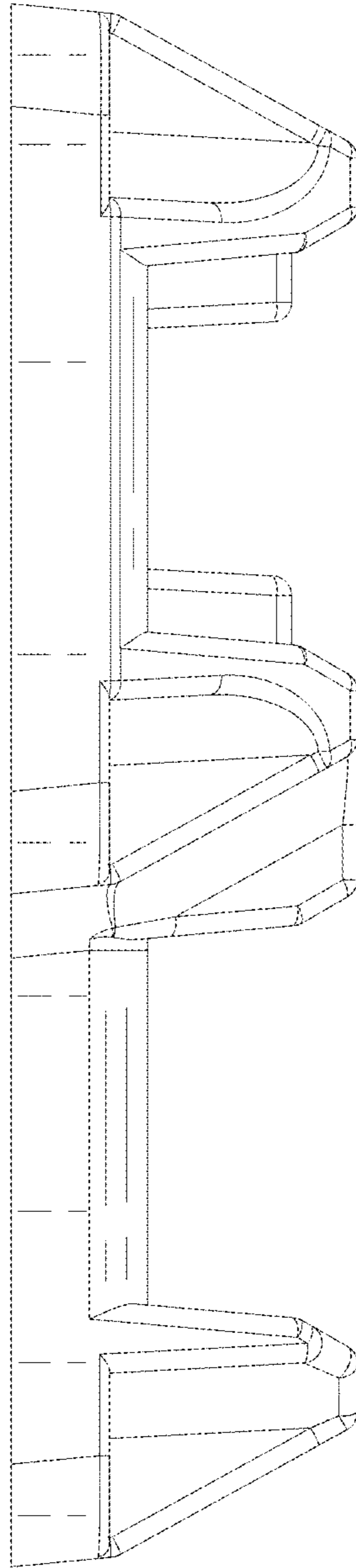


FIG. 5

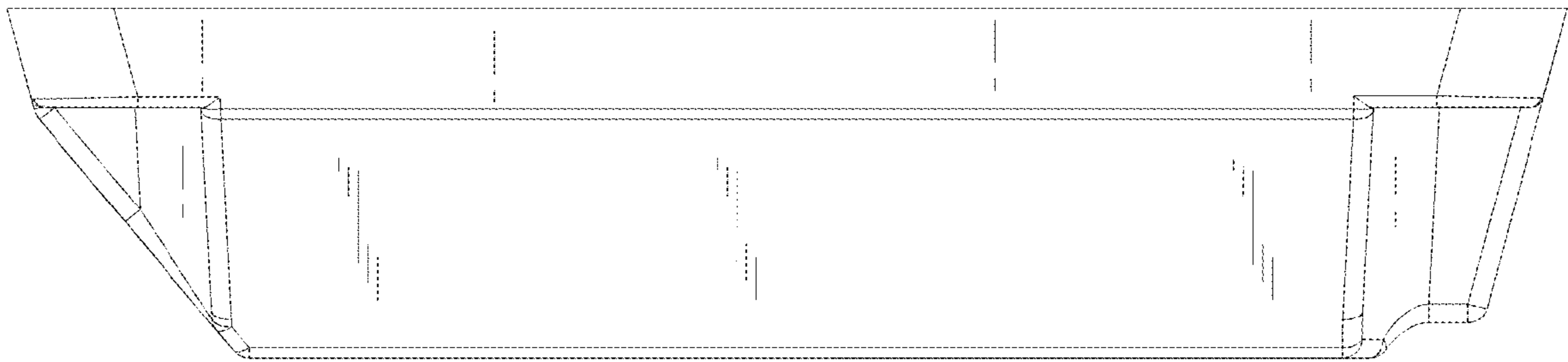


FIG. 6

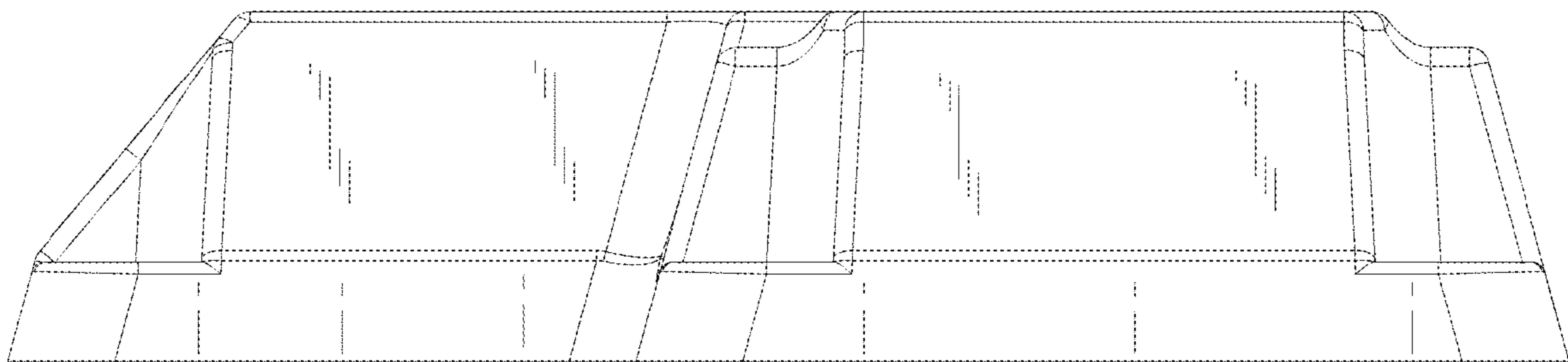


FIG. 7