

US00D928905S

(12) **United States Design Patent**
Larsson et al.

(10) **Patent No.:** **US D928,905 S**

(45) **Date of Patent:** **** Aug. 24, 2021**

(54) **SIGHT FOR A FIREARM**
(71) Applicant: **Aimpoint AB**, Malmö (SE)
(72) Inventors: **Niklas Larsson**, Åkarp (SE); **Olof Martinsson**, Malmö (SE)
(73) Assignee: **Aimpoint AB**, Malmö (SE)
(**) Term: **15 Years**

D752,701 S * 3/2016 Bengtsson D22/109
D765,212 S * 8/2016 Cheng D22/109
D806,820 S * 1/2018 Larsson D22/109
D819,160 S * 5/2018 Hamilton D22/109
D846,691 S * 4/2019 Cheng D22/109
D856,458 S * 8/2019 Cheng D22/109
D882,717 S * 4/2020 Delgado Acarreta D22/109
D888,874 S * 6/2020 Hamilton D22/109
D888,875 S * 6/2020 Hamilton D22/109
D894,988 S * 9/2020 Johnston D16/100
D895,050 S * 9/2020 Larsson D22/109

(21) Appl. No.: **29/682,673**
(22) Filed: **Mar. 7, 2019**
(30) **Foreign Application Priority Data**
Sep. 12, 2018 (EM) 005638707-0001
(51) **LOC (13) Cl.** **22-01**
(52) **U.S. Cl.**
USPC **D22/109**
(58) **Field of Classification Search**
USPC D22/100, 101, 103, 104, 108, 109, 110,
D22/111, 115, 116, 199; D21/567, 573,
D21/574
CPC ... F41G 1/30; F41G 1/42; F41G 11/00; F41G
11/001; F41C 7/00; F41C 3/005; F41C
23/04; F41C 23/10
See application file for complete search history.

OTHER PUBLICATIONS

“New Aimpoint Comp M5B RDS Revealed at [SHOT Show 2020]”
[online]. TFDTV Show Time. [Published on Jan. 21, 2020]. Retrieved
from the Internet: <<https://www.youtube.com/watch?v=vJNzFPG3aoM>>.*

(Continued)

Primary Examiner — Mojtaba Tehrani
(74) *Attorney, Agent, or Firm* — Thomas|Horstemeyer,
LLP

(57) **CLAIM**

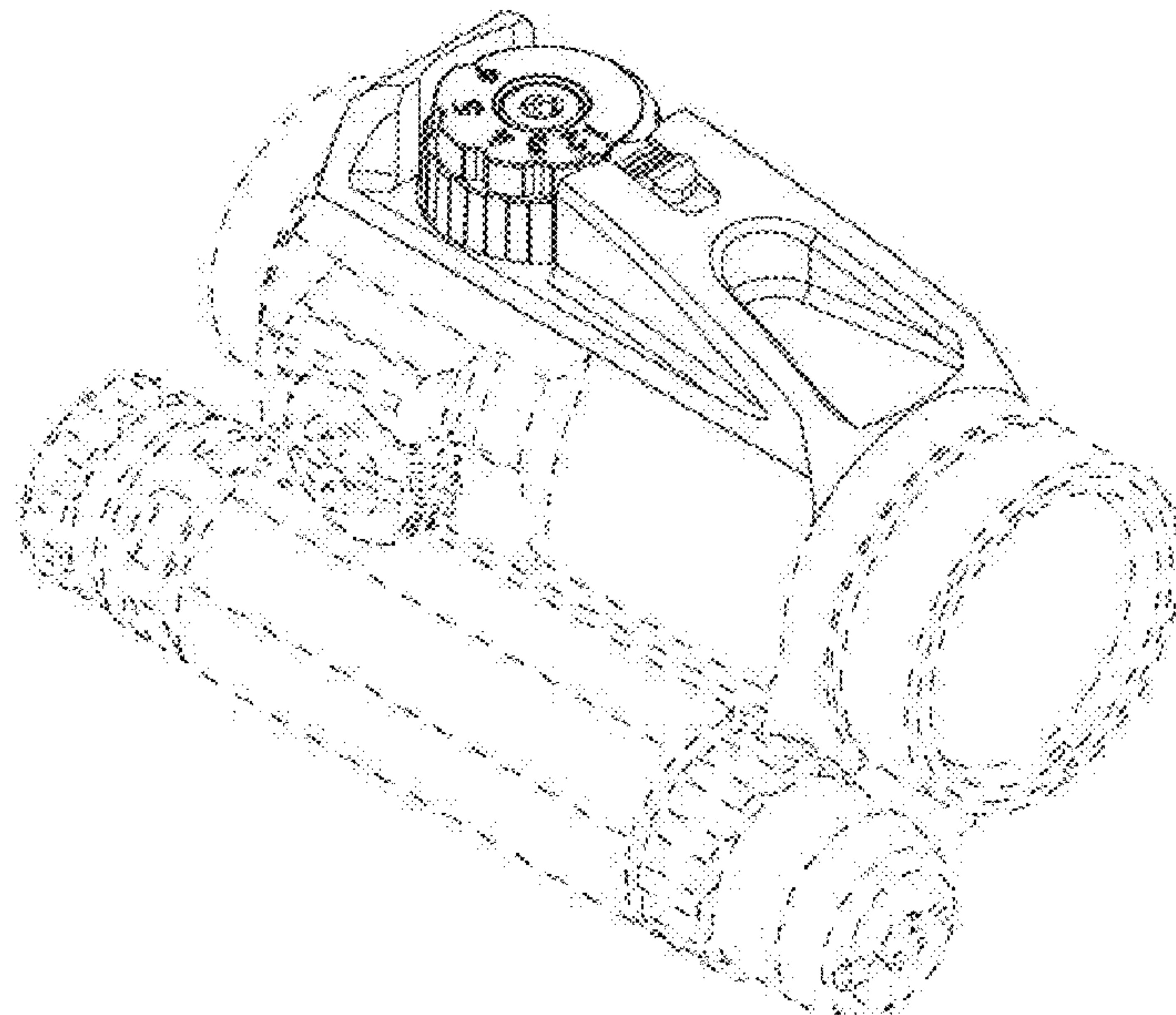
The ornamental design for a sight for a firearm, as shown
and described.

DESCRIPTION

FIG. 1 is a perspective view of a sight for a firearm, showing
our new design;
FIG. 2 is a front view thereof;
FIG. 3 is a side view thereof;
FIG. 4 is a side view thereof, opposite that of FIG. 3;
FIG. 5 is a left view thereof;
FIG. 6 is a top plan view thereof; and,
FIG. 7 is a bottom view thereof.
The broken line in the drawings depicts unclaimed portion
of the sight only and forms no part of the claimed design.

(56) **References Cited**
U.S. PATENT DOCUMENTS
D346,392 S * 4/1994 Tomita D16/132
D349,510 S * 8/1994 Tomita D16/132
D365,858 S * 1/1996 Tomita D16/132
D378,936 S * 4/1997 DePaoli D22/109
D619,190 S * 7/2010 Larsson D22/108
D679,775 S * 4/2013 Cheng D22/109
D728,062 S * 4/2015 Hamilton D22/109
D732,137 S * 6/2015 Hamilton D22/109

1 Claim, 7 Drawing Sheets



(56)

References Cited

OTHER PUBLICATIONS

“ROMEO4T 1×20 MM Tactical Solar Powered Red Dot Sight”
[online]. Sig Sauer, Inc. [Published on Sep. 15, 2017]. Retrieved
from the Internet: <[https://www.youtube.com/watch?v=lqGKM_
bUsbA](https://www.youtube.com/watch?v=lqGKM_bUsbA)>.*

* cited by examiner

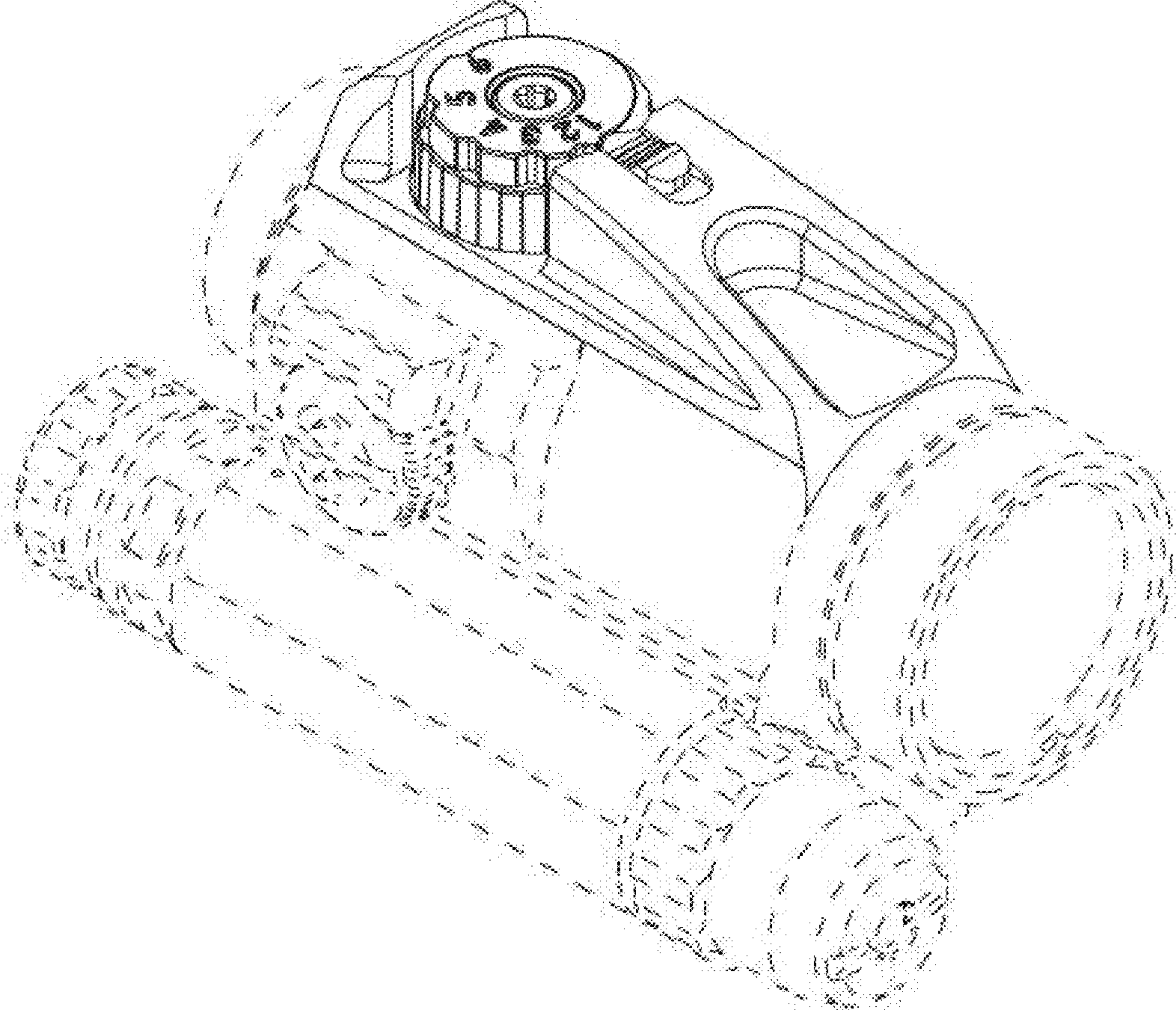


FIG. 1

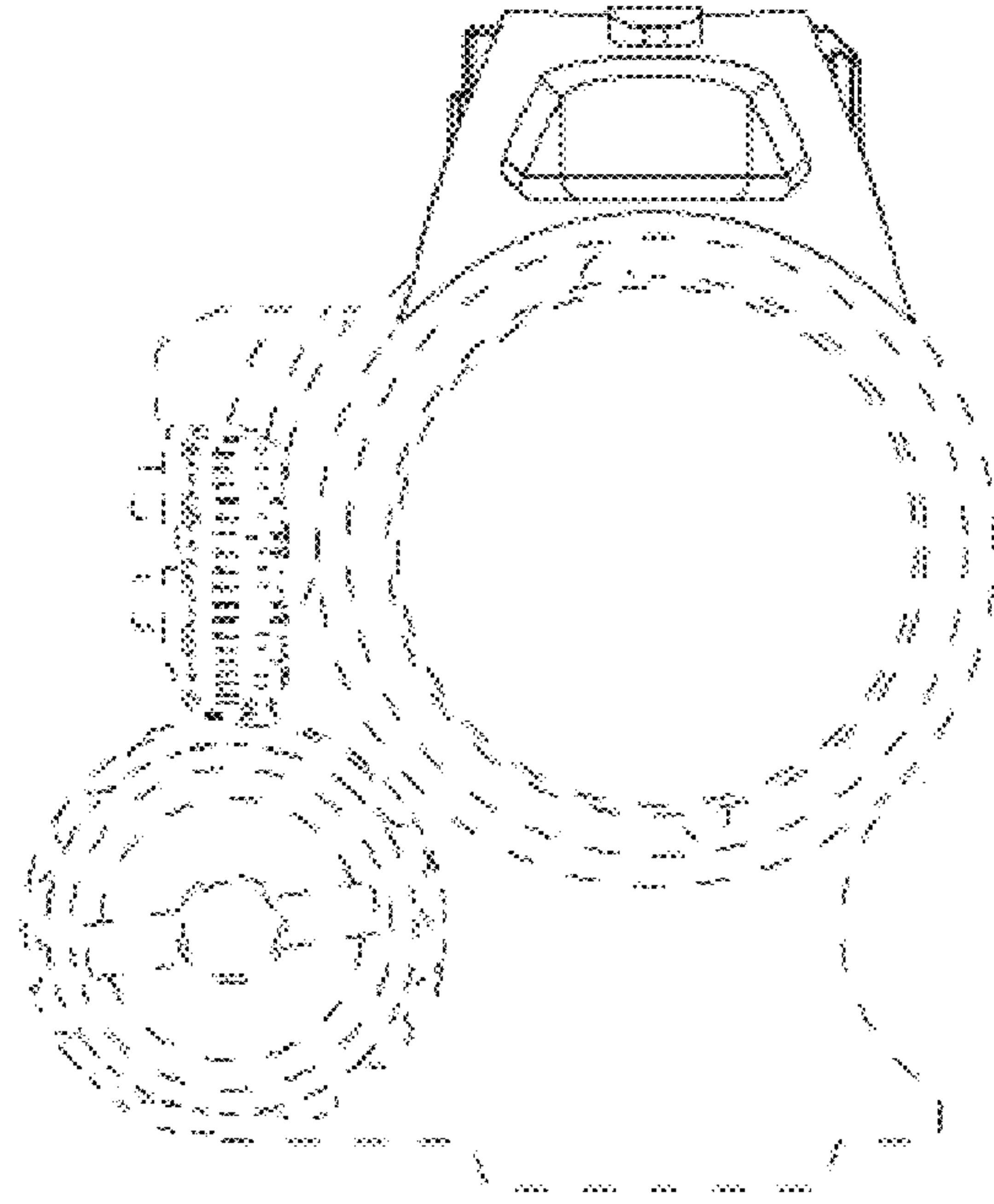


FIG. 2

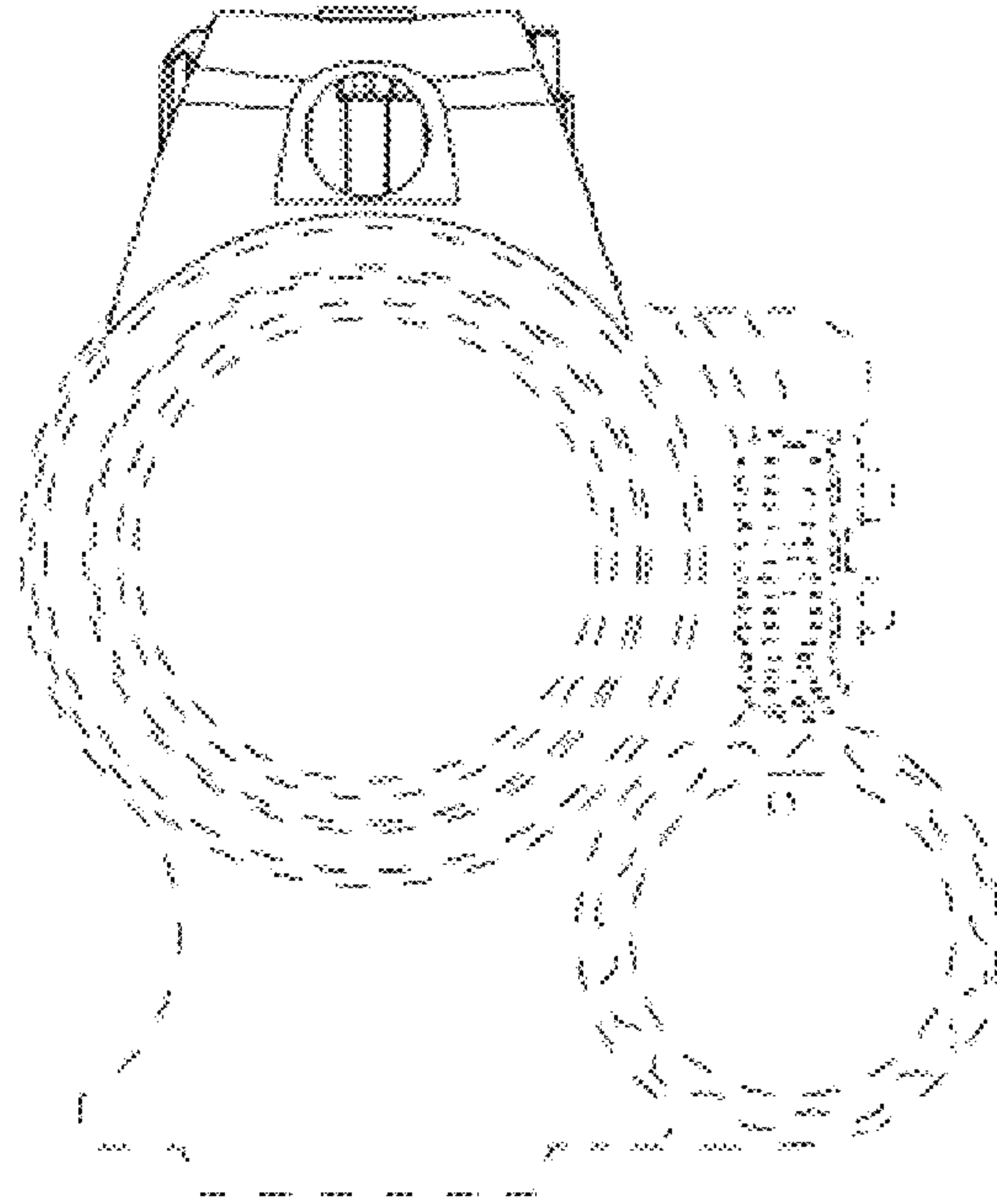


FIG. 3

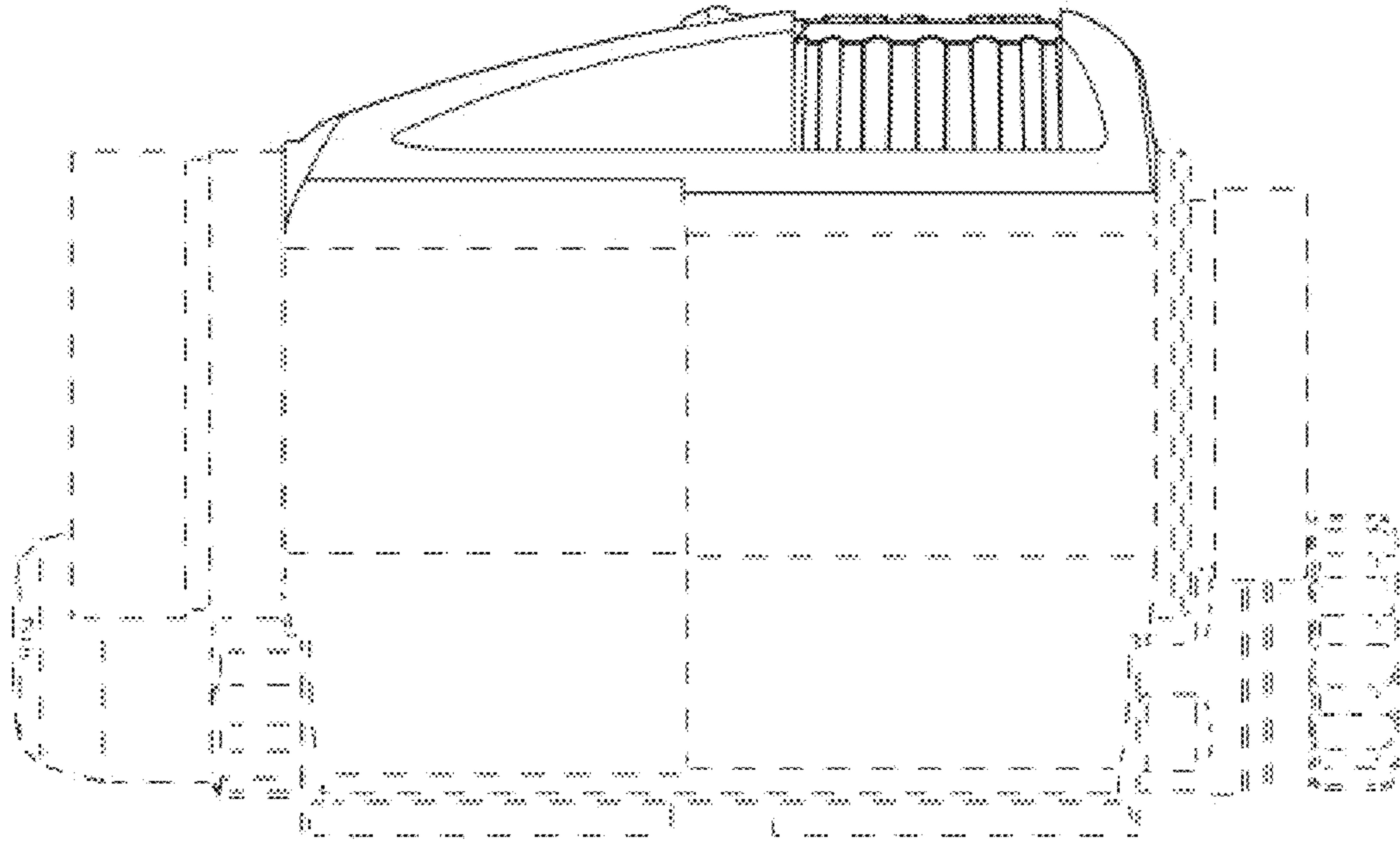


FIG. 4

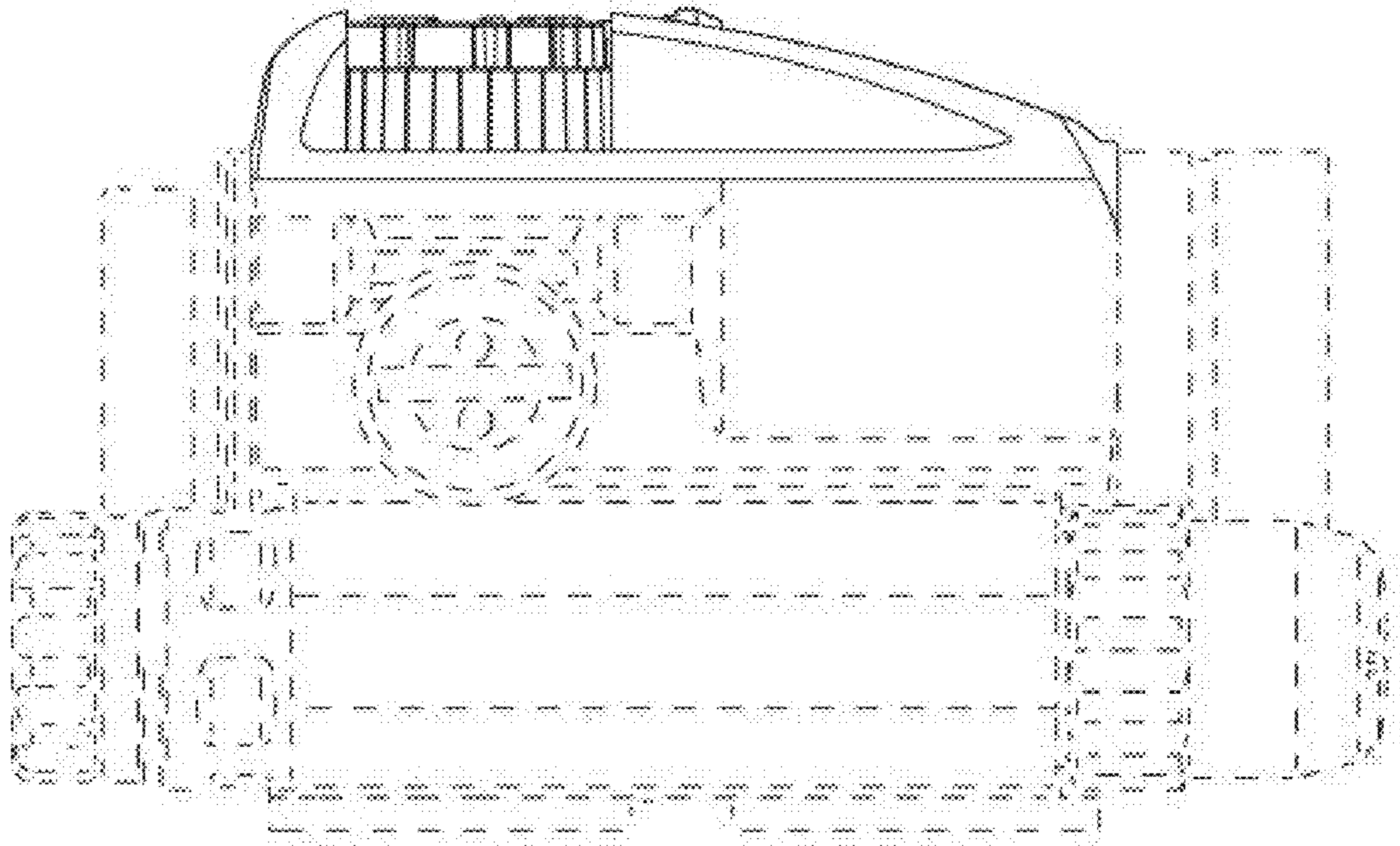


FIG. 5

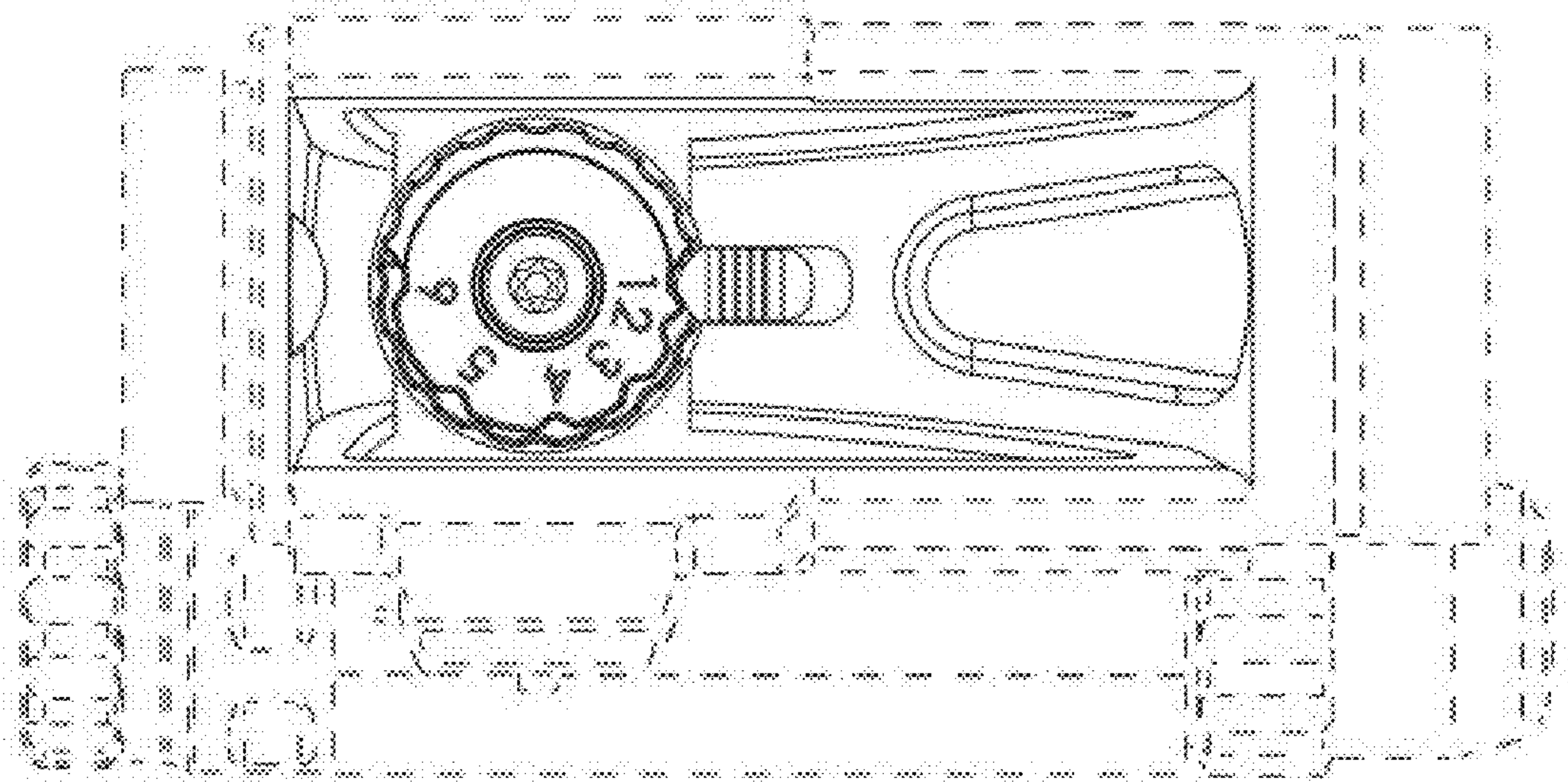


FIG. 6

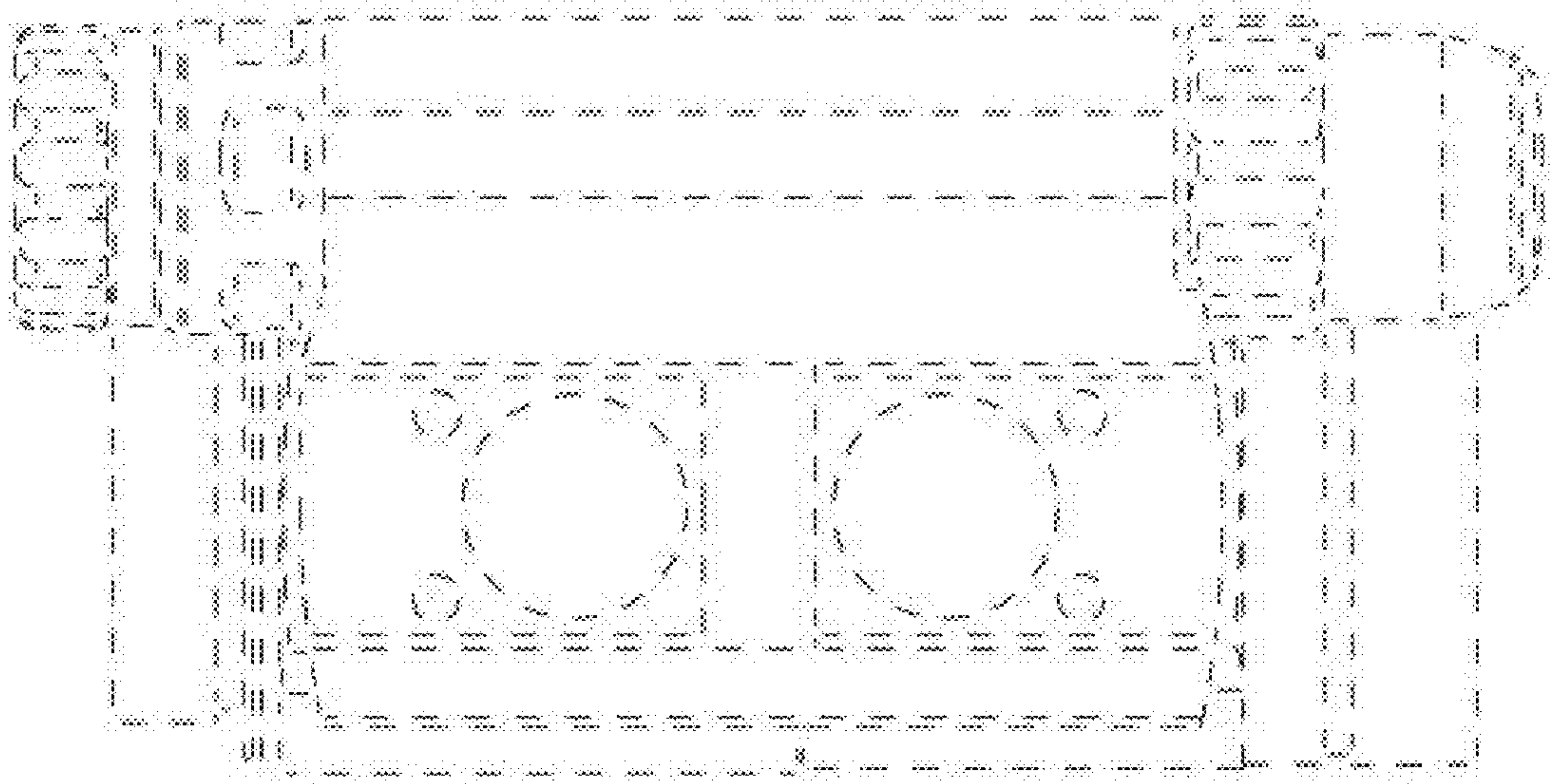


FIG. 7