



US00D928904S

(12) **United States Design Patent**
Zhang

(10) **Patent No.:** **US D928,904 S**

(45) **Date of Patent:** **** *Aug. 24, 2021**

(54) **GUN ACCESSORY**

(71) Applicant: **Cytac Technology Limited**, Shenzhen (CN)

(72) Inventor: **Yong Zhang**, Shenzhen (CN)

(*) Notice: This patent is subject to a terminal disclaimer.

(**) Term: **15 Years**

(21) Appl. No.: **29/693,389**

(22) Filed: **Jun. 3, 2019**

(30) **Foreign Application Priority Data**

Mar. 26, 2019 (CN) 201930129593.5

(51) **LOC (13) Cl.** **22-01**

(52) **U.S. Cl.**
USPC **D22/108; D3/262**

(58) **Field of Classification Search**

USPC D22/100, 101, 103, 104, 108, 109, 110,
D22/111, 115, 116, 199; D21/567, 573,
D21/574; D3/222, 262

(Continued)

(56) **References Cited**

U.S. PATENT DOCUMENTS

D433,563 S * 11/2000 Capanna D3/215
D613,941 S * 4/2010 Daniel D3/222

(Continued)

OTHER PUBLICATIONS

“True North Concepts New Modular Holster Adapter” [online]. Luke C. [Published on May 7, 2020]. Retrieved from the Internet: <<https://www.thefirearmblog.com/blog/2020/05/07/true-north-concepts-modular-holster-adapted>>.*

Primary Examiner — Khawaja Anwar
Assistant Examiner — Mojtaba Tehrani

(57) **CLAIM**

The ornamental design for a gun accessory, as shown and described.

DESCRIPTION

FIG. 1 is a first perspective view of a gun accessory showing my new design;

FIG. 2 is a second perspective view thereof;

FIG. 3 is a front view thereof;

FIG. 4 is a back view thereof;

FIG. 5 is a left side view thereof;

FIG. 6 is a right side view thereof;

FIG. 7 is a top view thereof;

FIG. 8 is a bottom view thereof;

FIG. 9 is a first perspective view of a first component of the gun accessory;

FIG. 10 is a second perspective view of the first component thereof;

FIG. 11 is a front view of the first component thereof;

FIG. 12 is a back view of the first component thereof;

FIG. 13 is a left side view of the first component thereof;

FIG. 14 is a right side view of the first component thereof;

FIG. 15 is a top view of the first component thereof;

FIG. 16 is a bottom view of the first component thereof;

FIG. 17 is a first perspective view of a second component of the gun accessory;

FIG. 18 is a second perspective view of the second component thereof;

FIG. 19 is a front view of the second component thereof;

FIG. 20 is a back view of the second component thereof;

FIG. 21 is a left side view of the second component thereof;

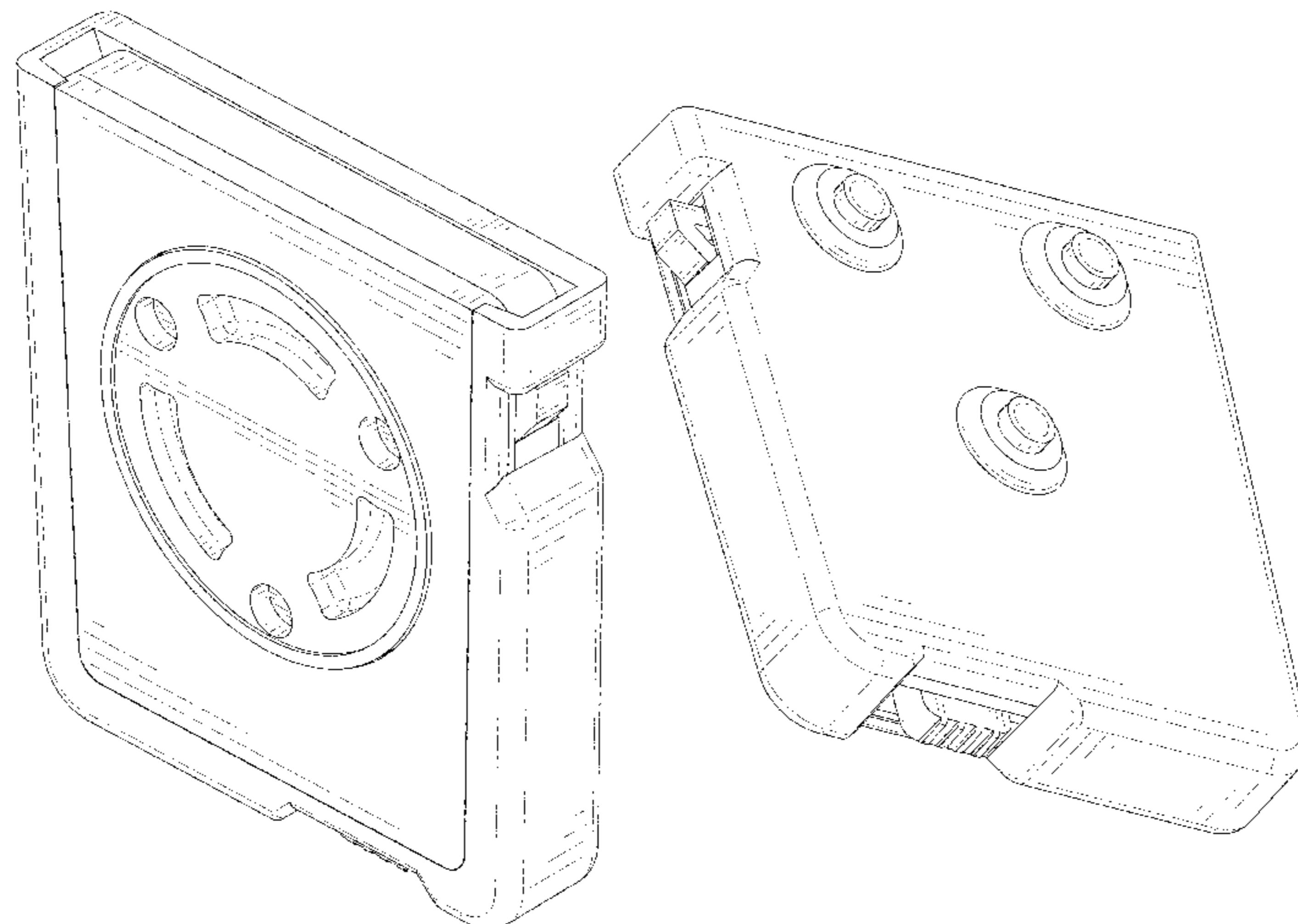
FIG. 22 is a right side view of the second component thereof;

FIG. 23 is a top view of the second component thereof; and,

FIG. 24 is a bottom view of the second component thereof.

The broken lines shown in the drawings depict portions of the gun accessory in which the design is embodied that form no part of the claimed design.

1 Claim, 24 Drawing Sheets



(58) **Field of Classification Search**

CPC ... F41G 1/30; F41G 1/42; F41G 11/00; F41G
11/001; F41C 7/00; F41C 3/005; F41C
23/04; F41C 23/10

See application file for complete search history.

(56) **References Cited**

U.S. PATENT DOCUMENTS

D724,314	S	*	3/2015	Faifer	D3/222
D737,571	S	*	9/2015	Kostal	D3/262
D737,572	S	*	9/2015	Kostal	D3/262
D772,368	S	*	11/2016	Evans	D22/108
D791,901	S	*	7/2017	Swan	D22/108
D801,041	S	*	10/2017	Lance	F41C 33/02 D3/222
D807,028	S	*	1/2018	Resca	D3/222
D807,029	S	*	1/2018	Resca	D3/222
D841,319	S	*	2/2019	Tang	D3/222
10,197,370	B2	*	2/2019	Zhang	F42B 39/02
D853,109	S	*	7/2019	Wilson	D3/222
10,537,167	B2	*	1/2020	Bryant	A45F 5/021
D874,818	S	*	2/2020	Schlang	D3/226
D885,511	S	*	5/2020	Zhang	D22/108
2016/0100678	A1	*	4/2016	Evans	A45F 5/02 224/231

* cited by examiner

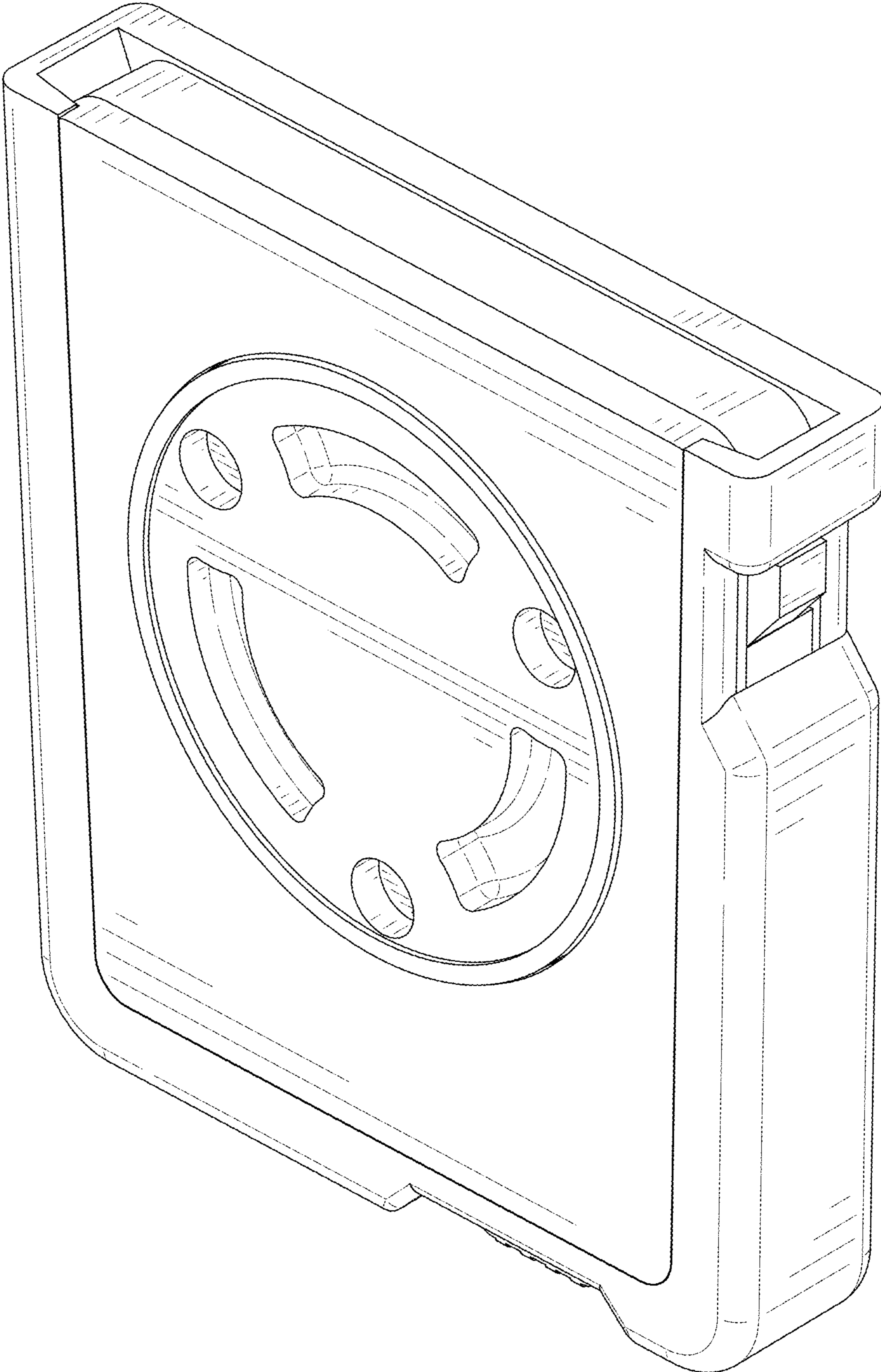


FIG. 1

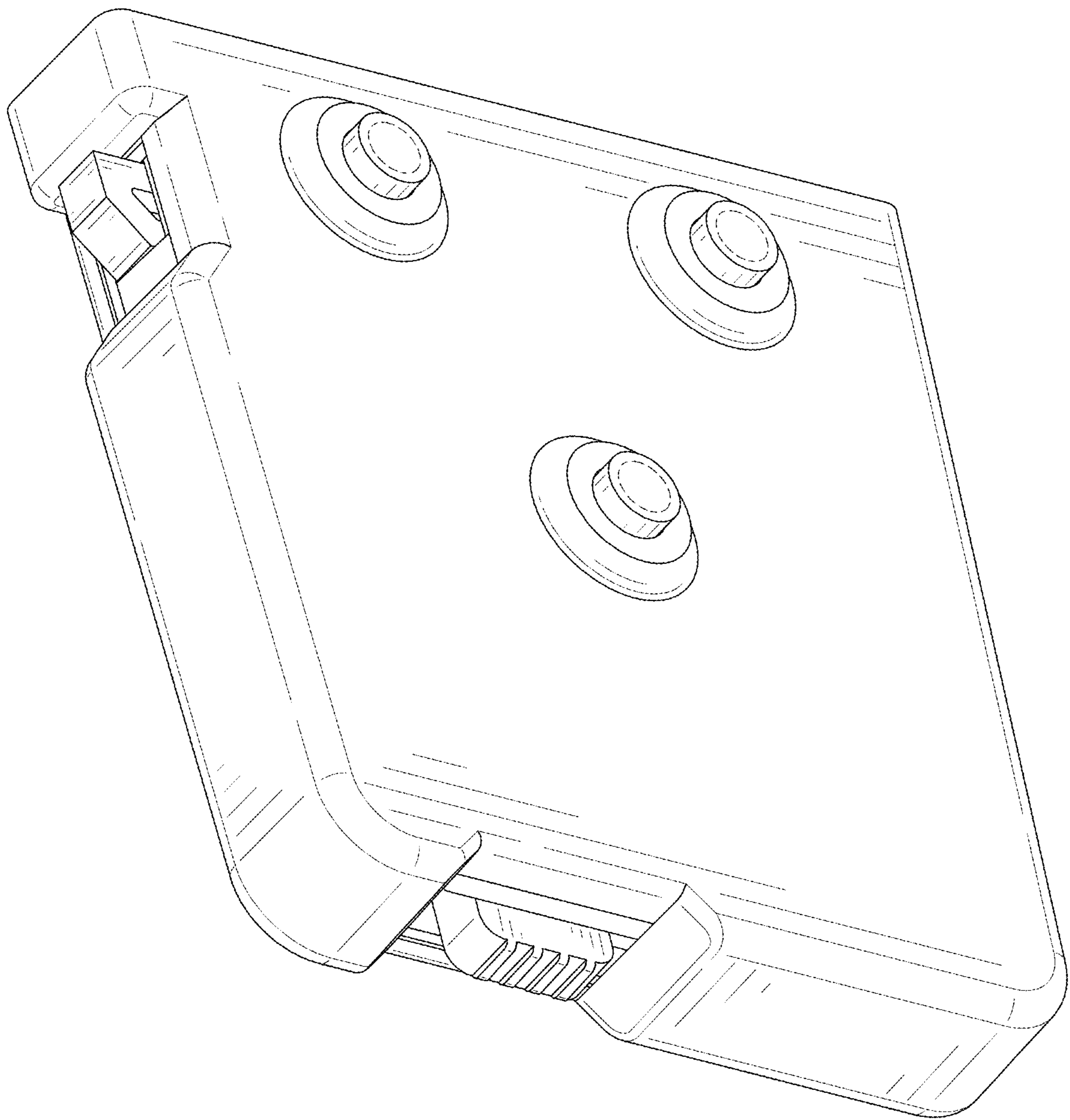


FIG. 2

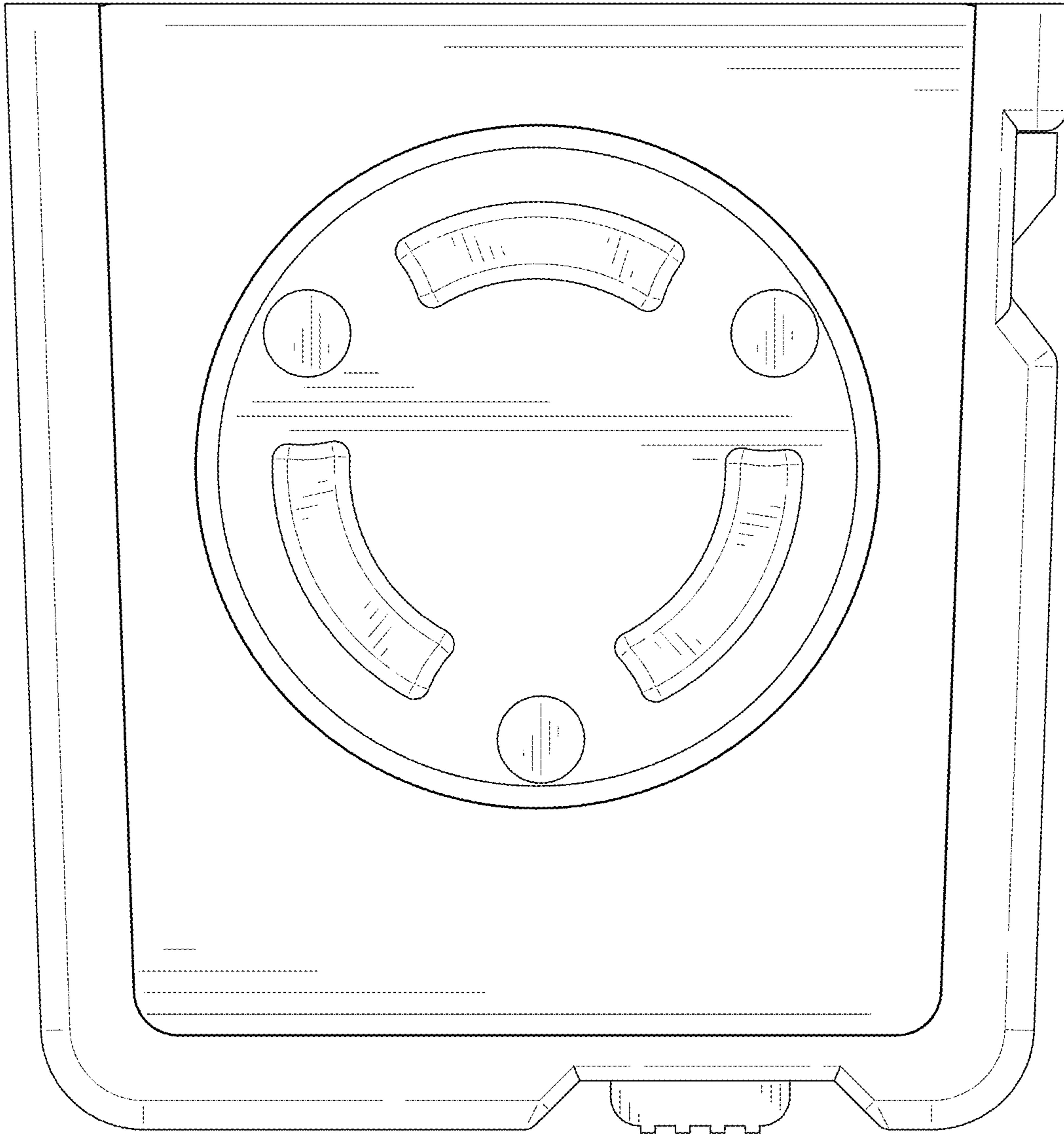


FIG. 3

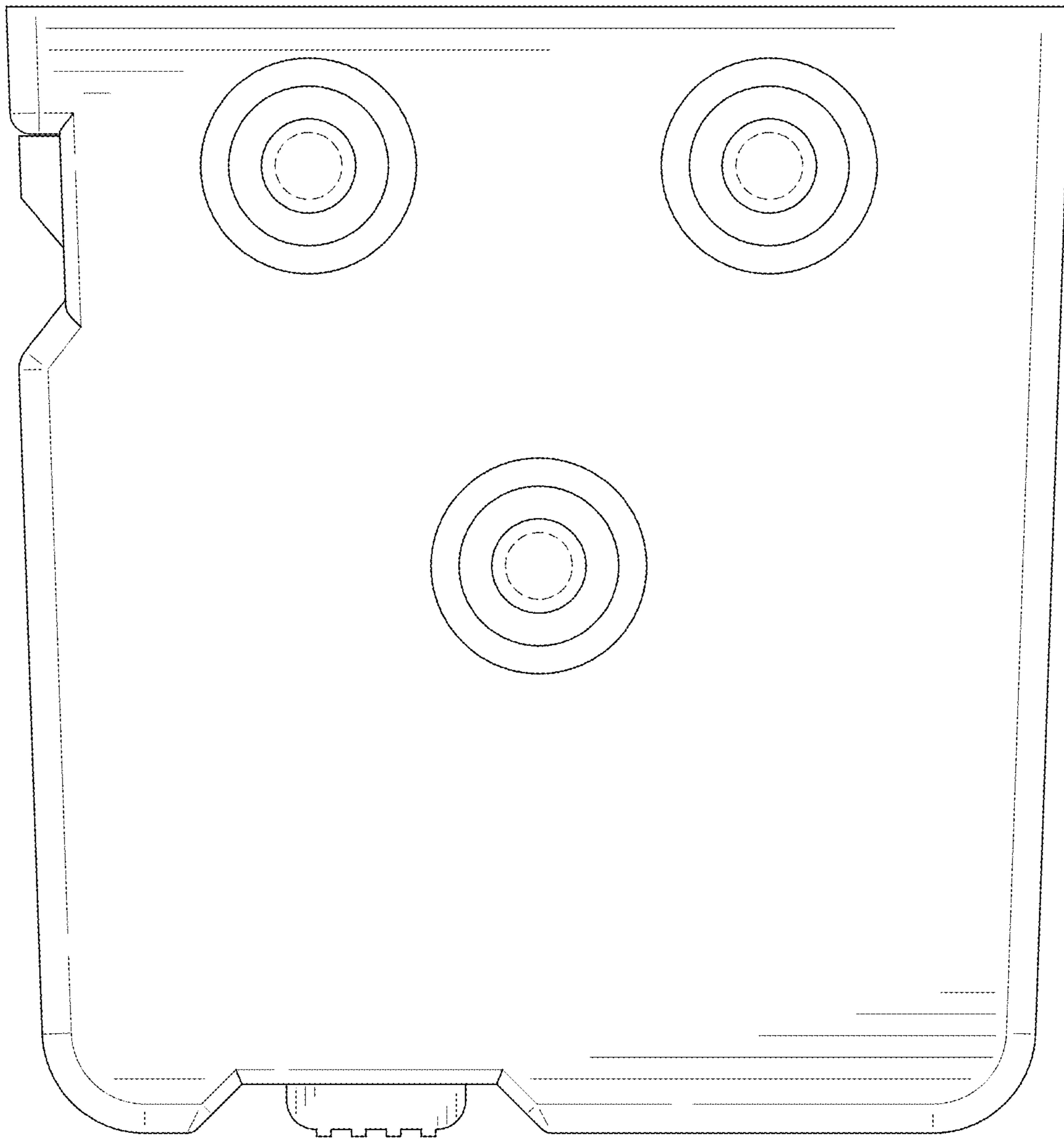


FIG. 4

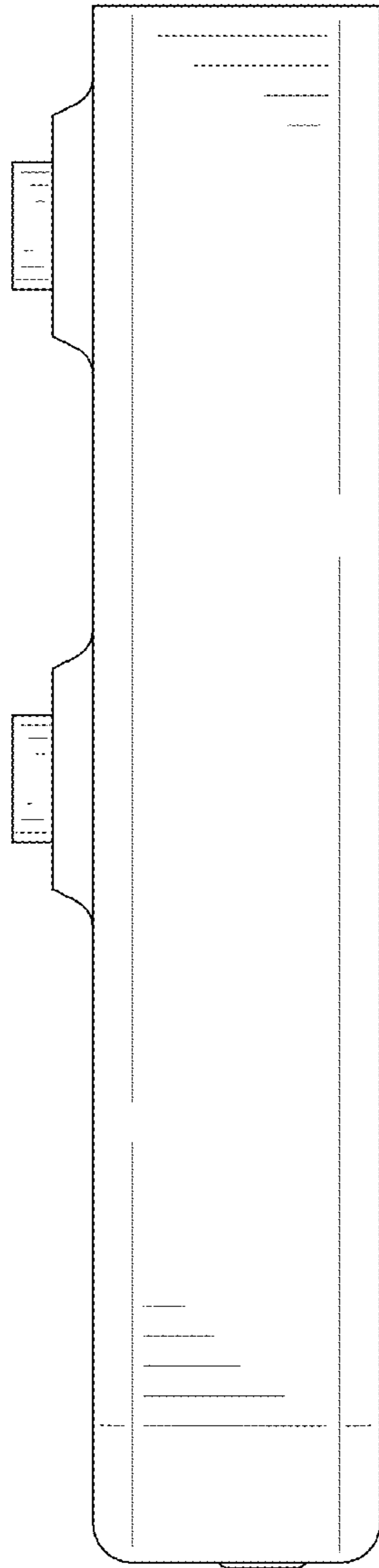


FIG. 5

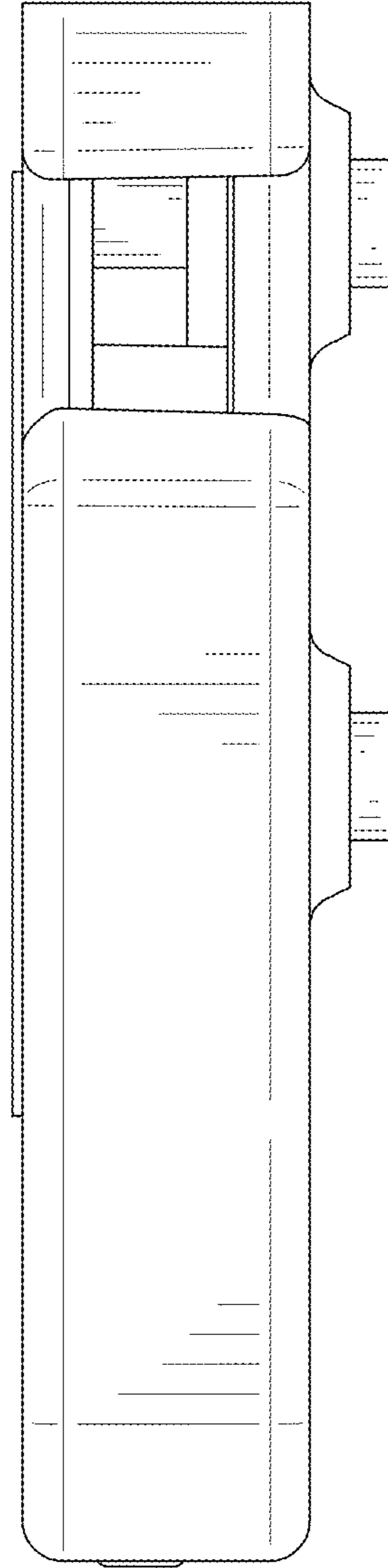


FIG. 6

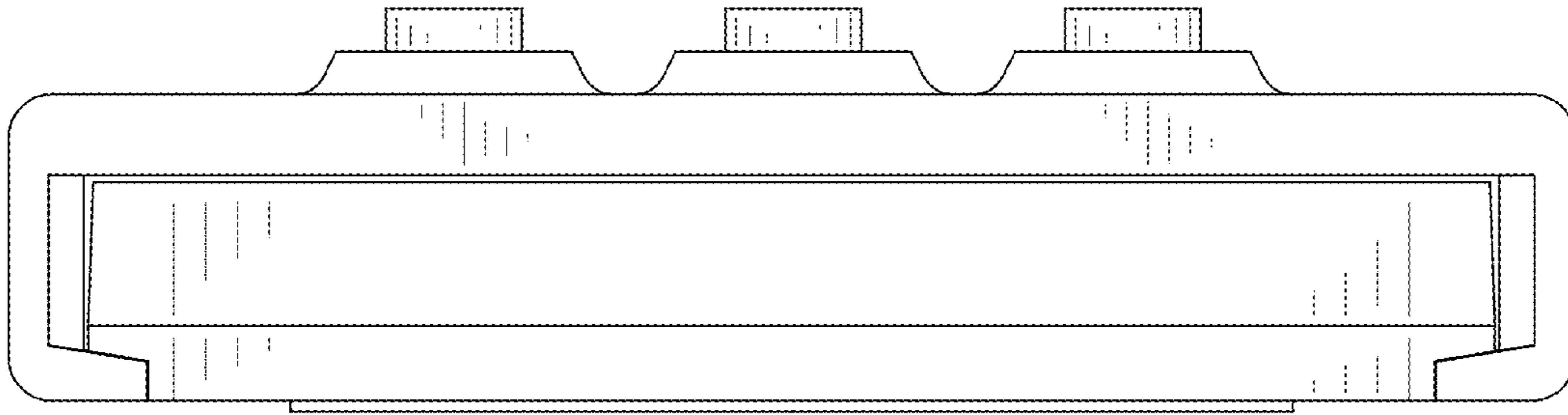


FIG. 7

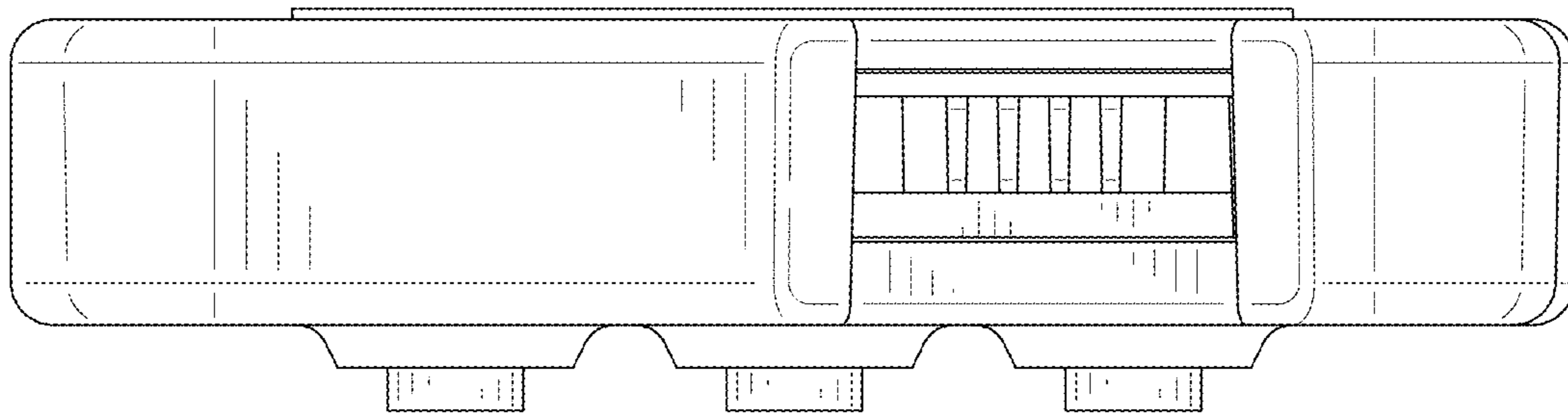


FIG. 8

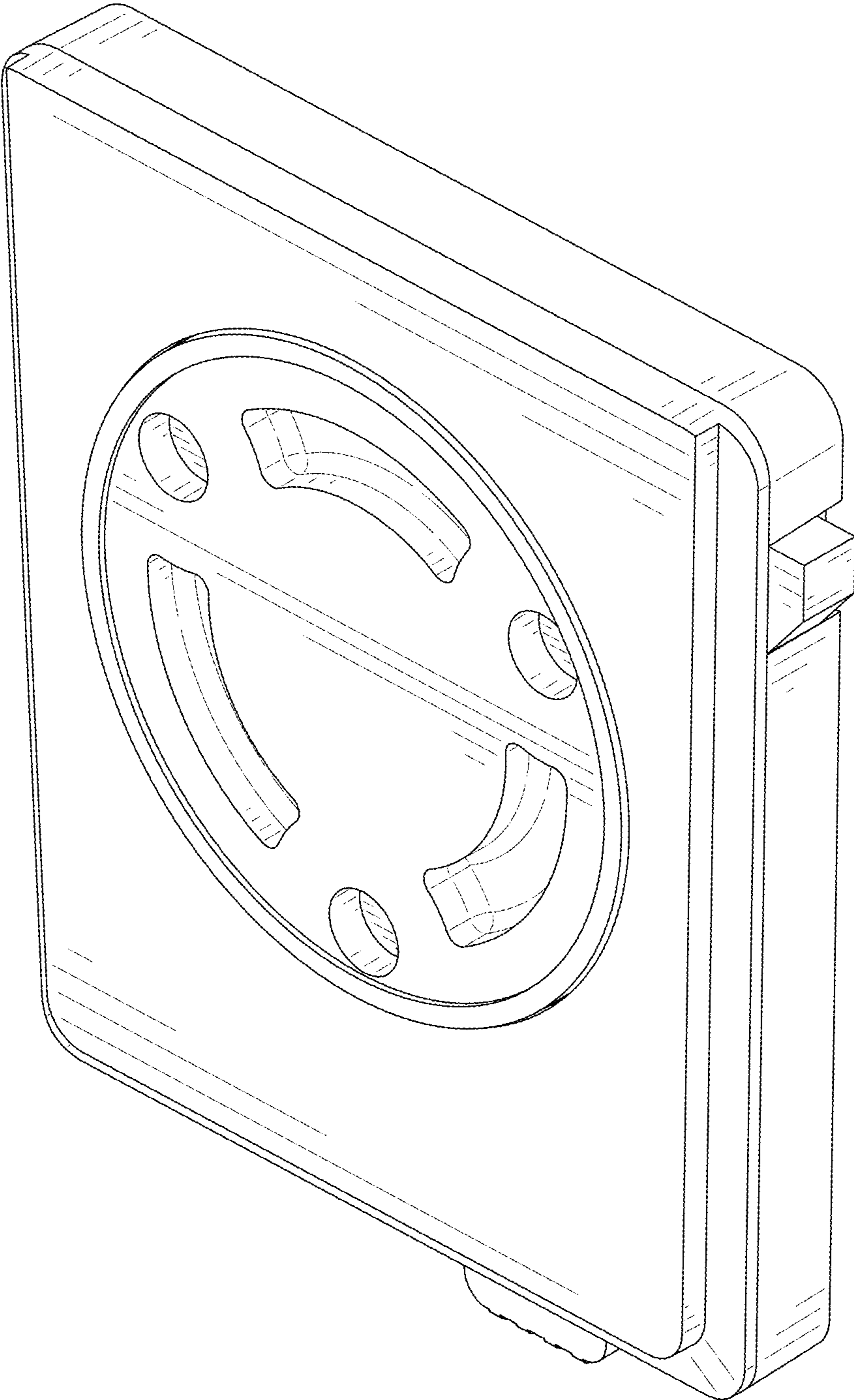


FIG. 9

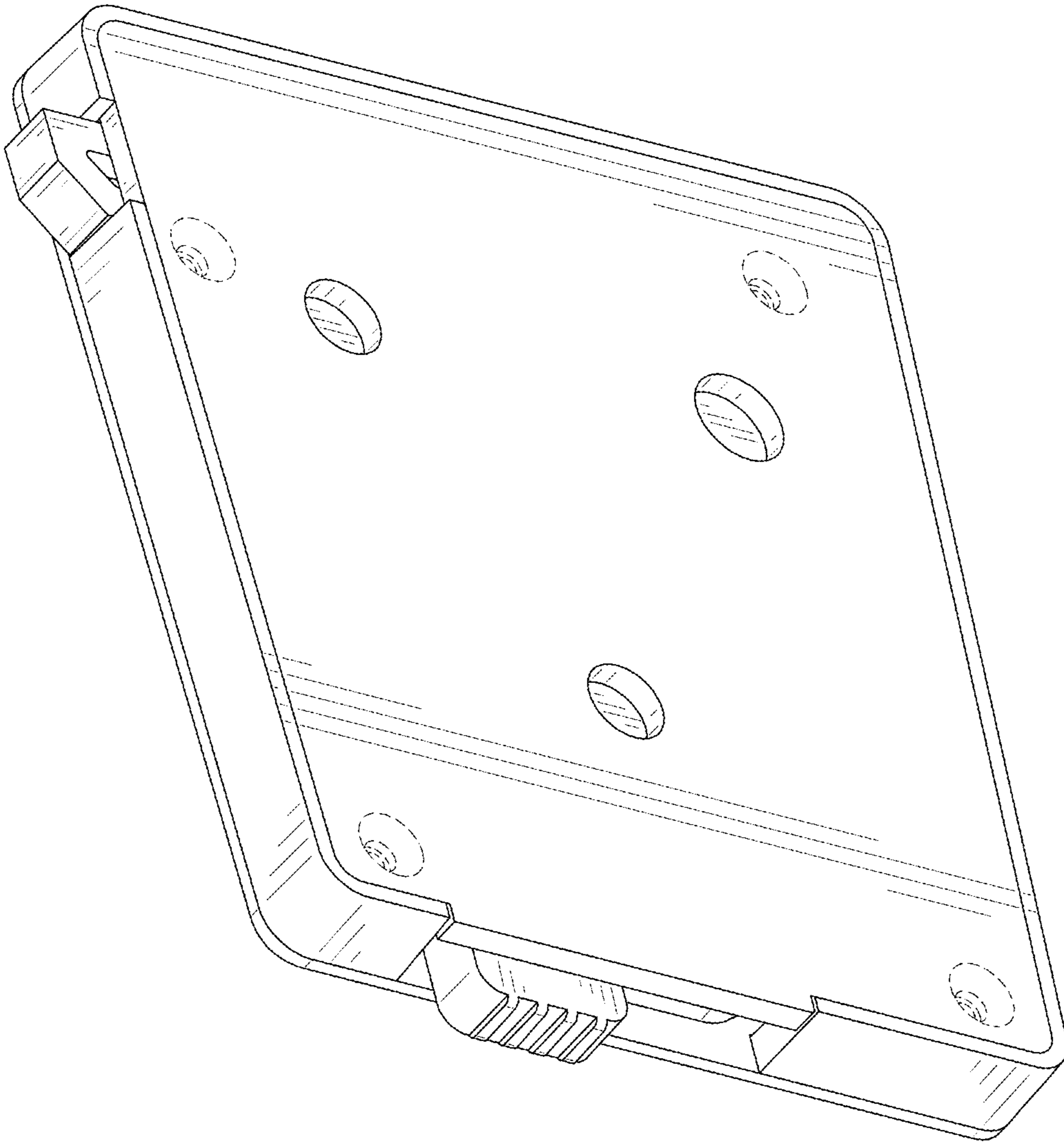


FIG. 10

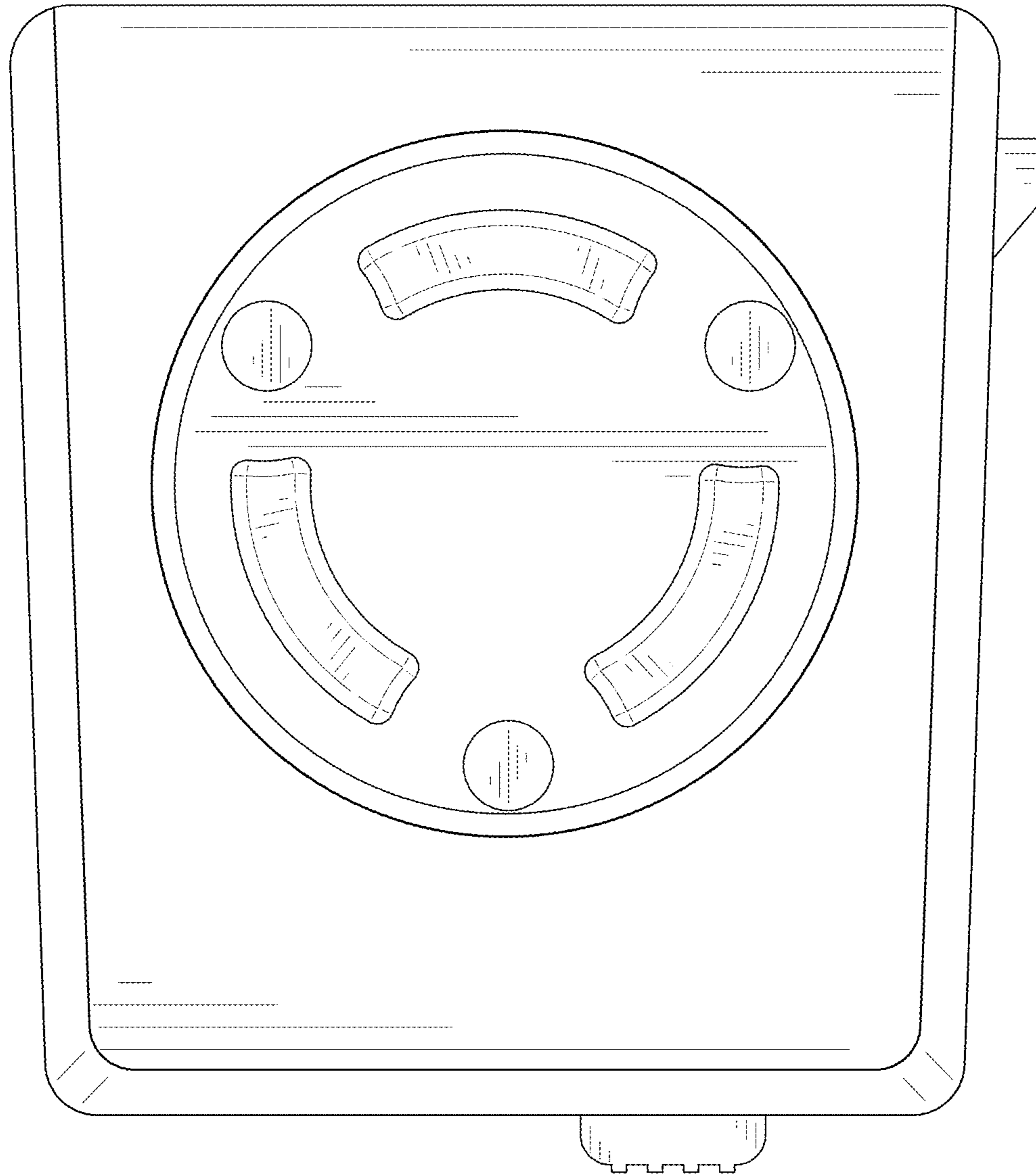


FIG. 11

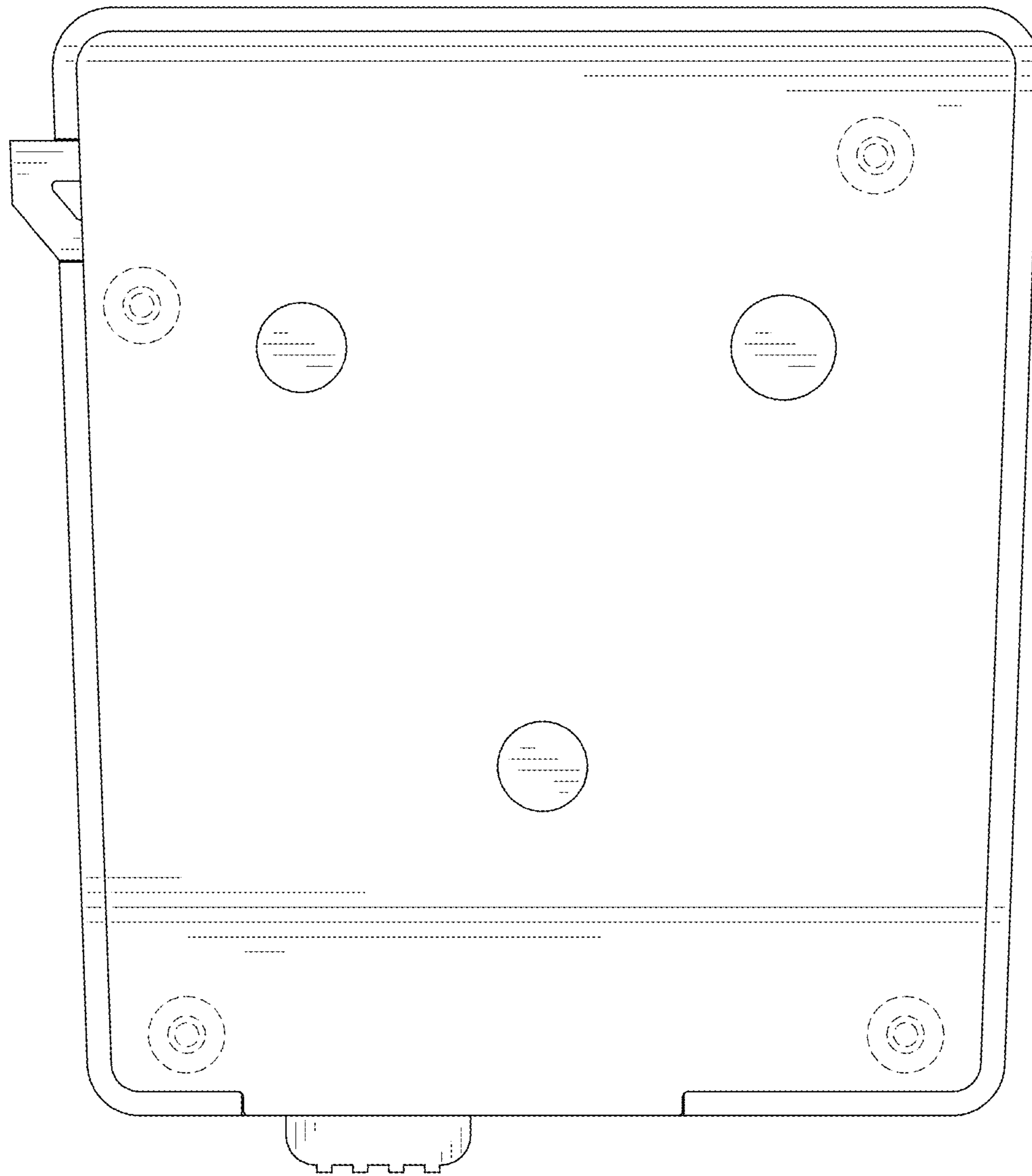


FIG. 12

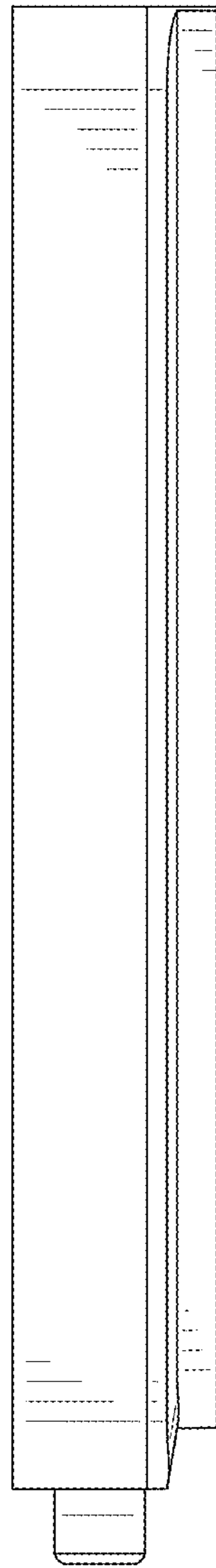


FIG. 13

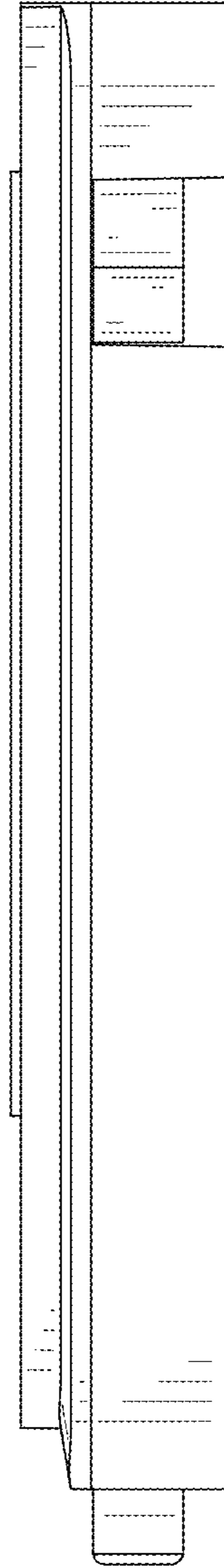


FIG. 14

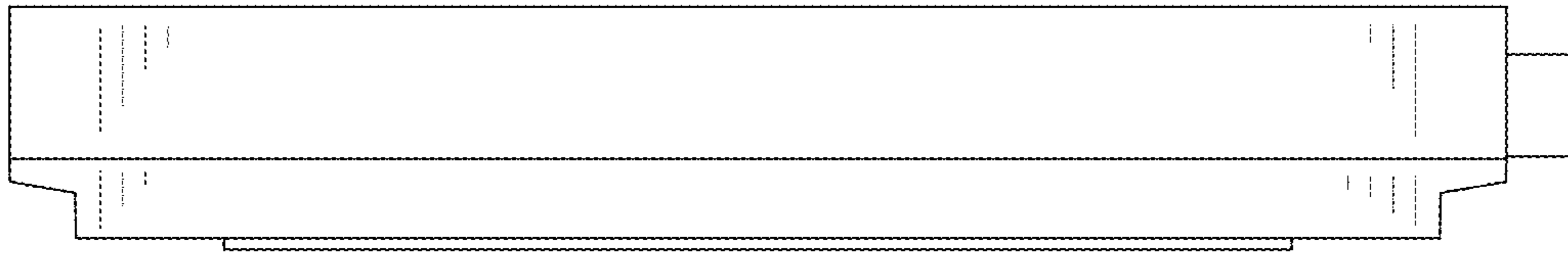


FIG. 15

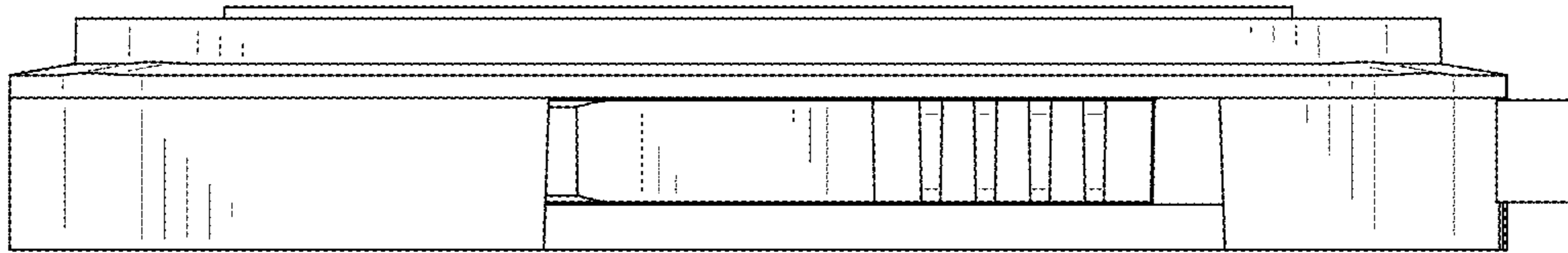


FIG. 16

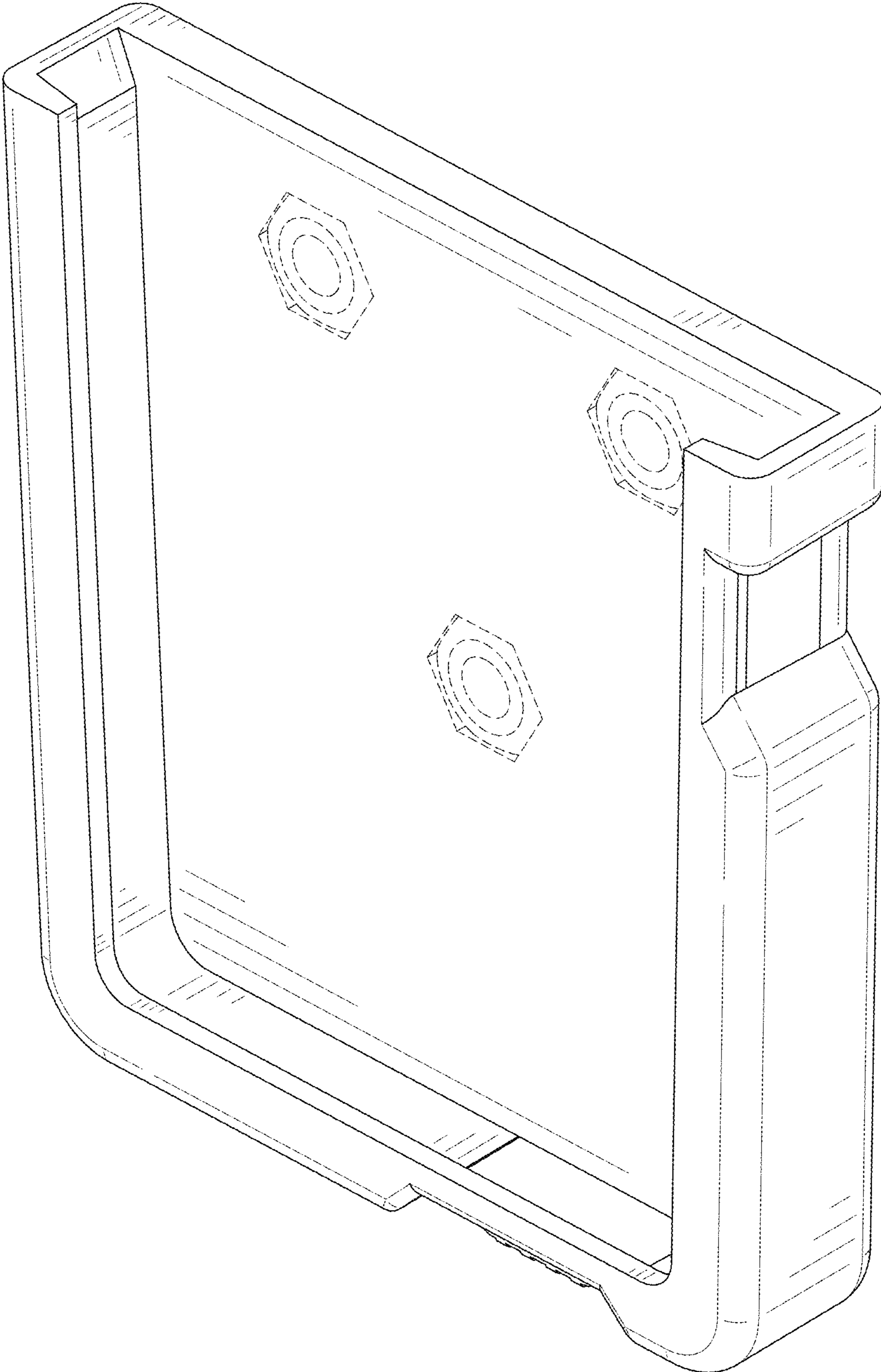


FIG. 17

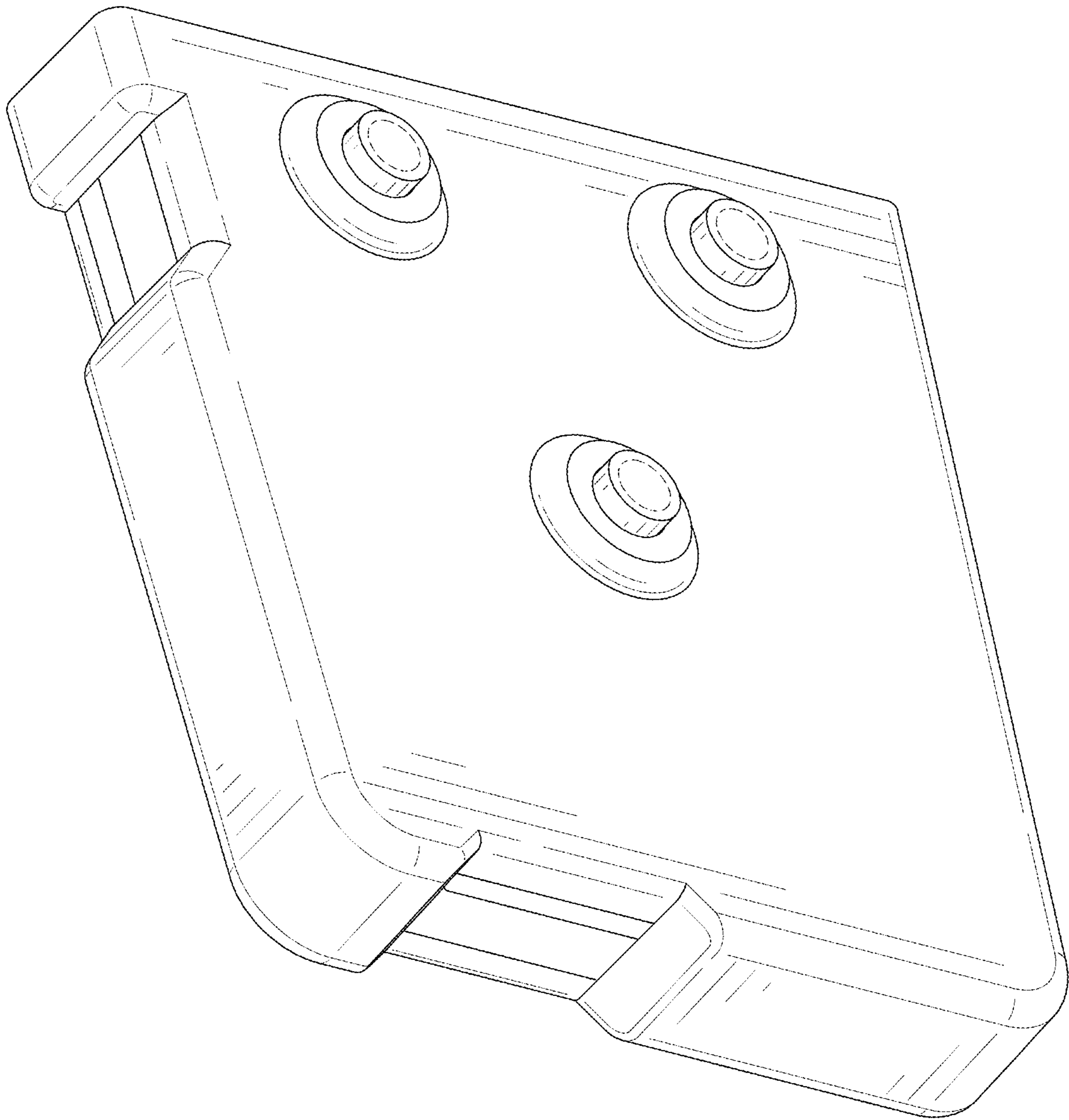


FIG. 18

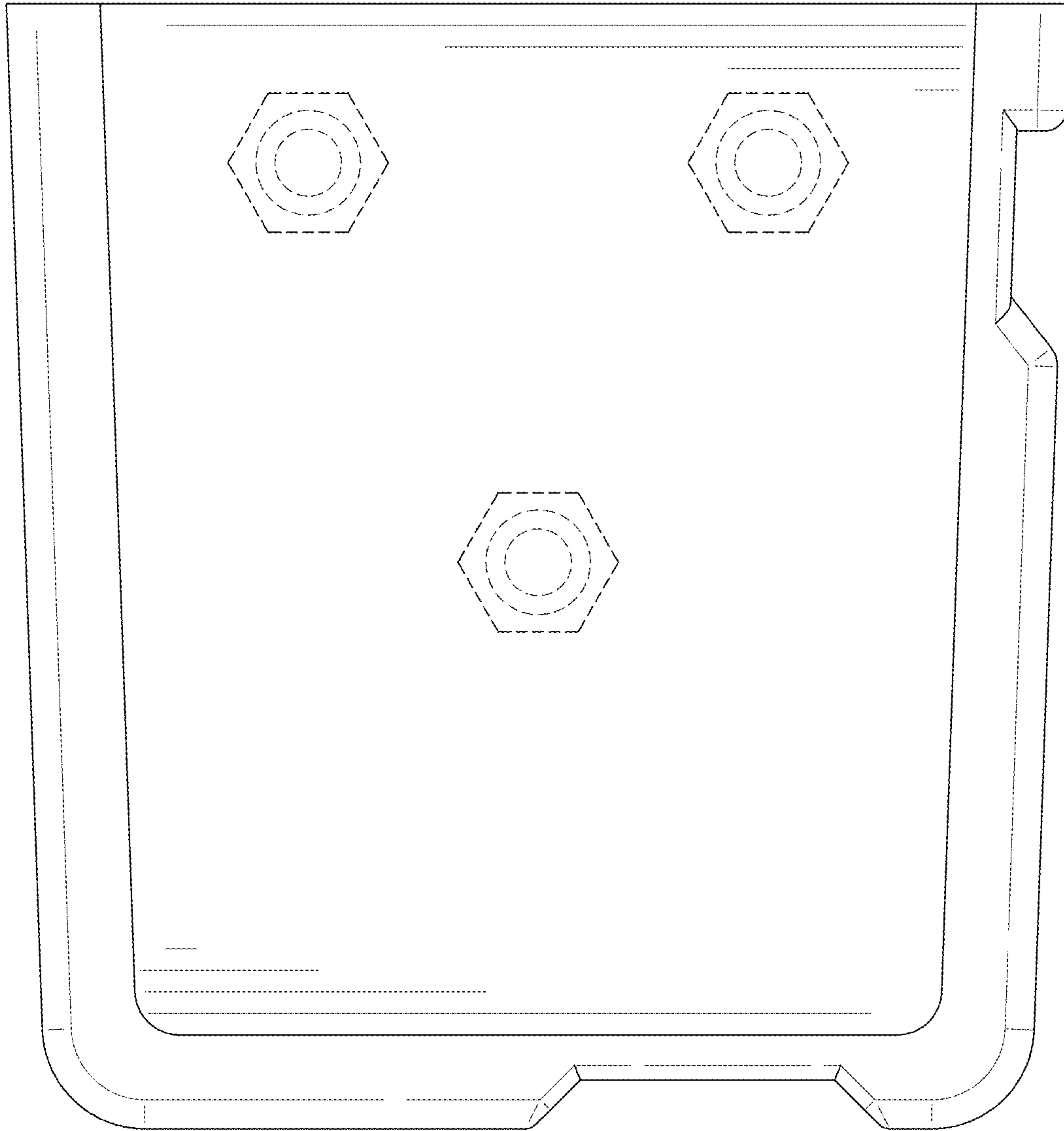


FIG. 19

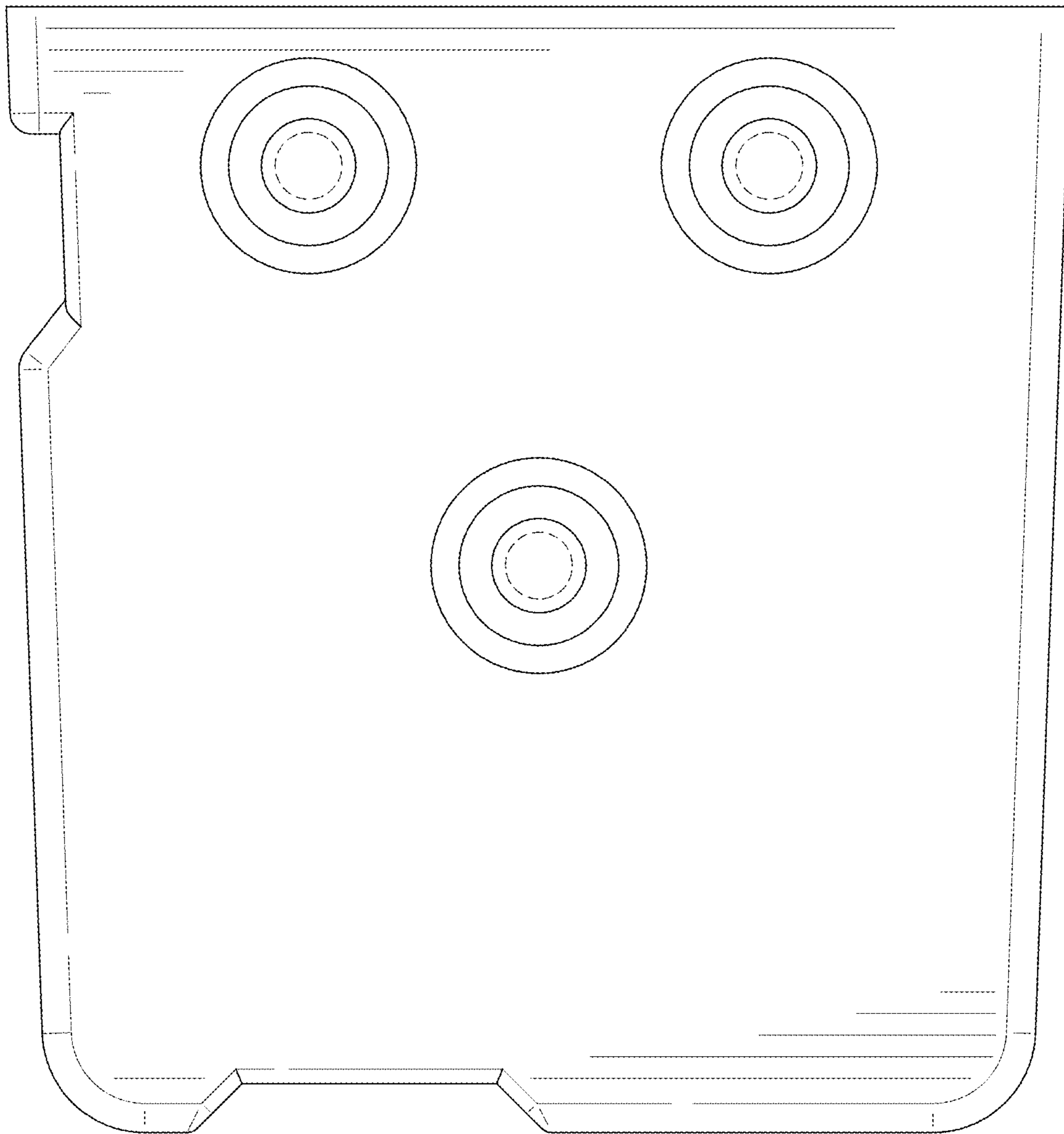


FIG. 20

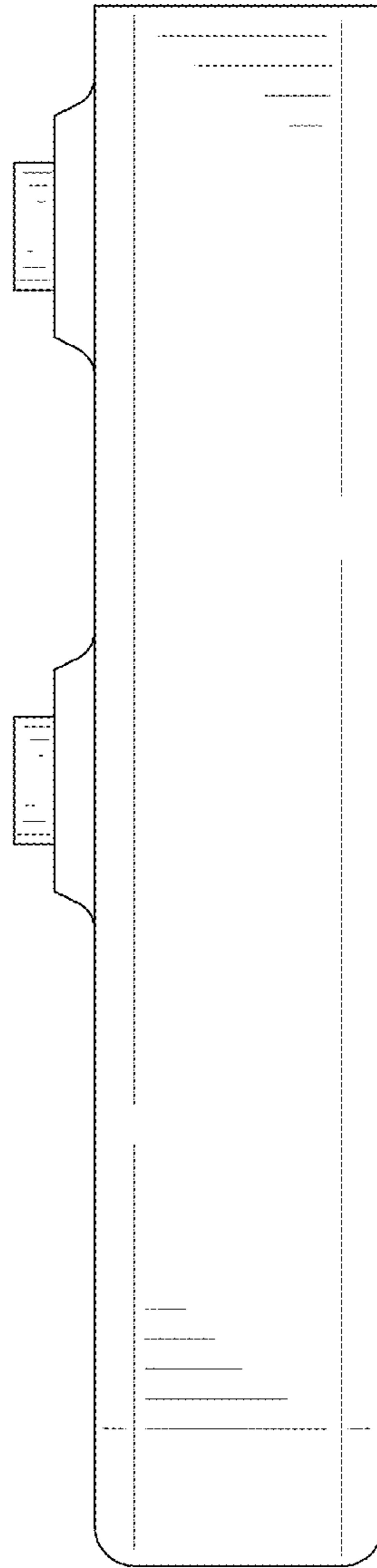


FIG. 21

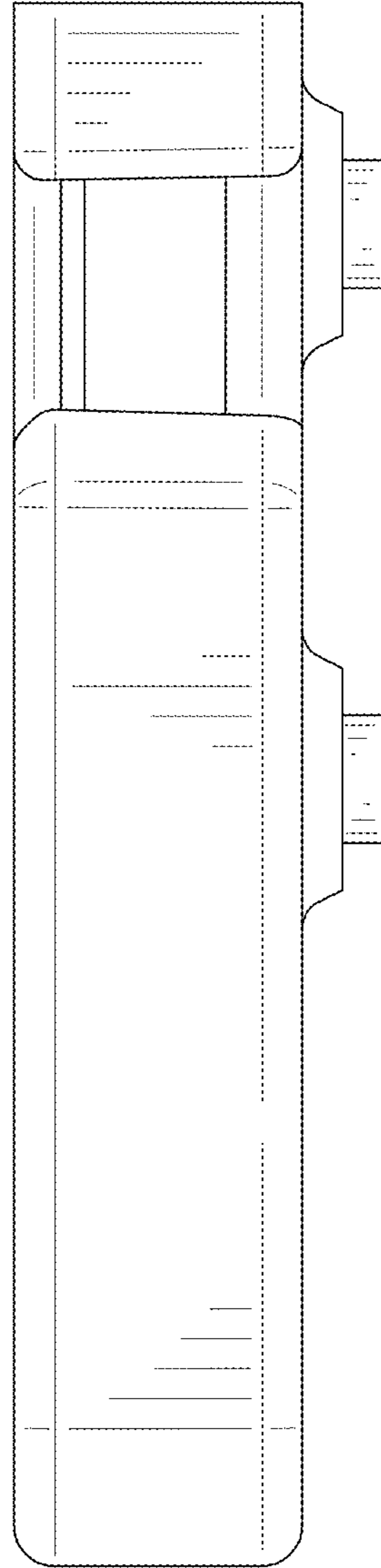


FIG. 22

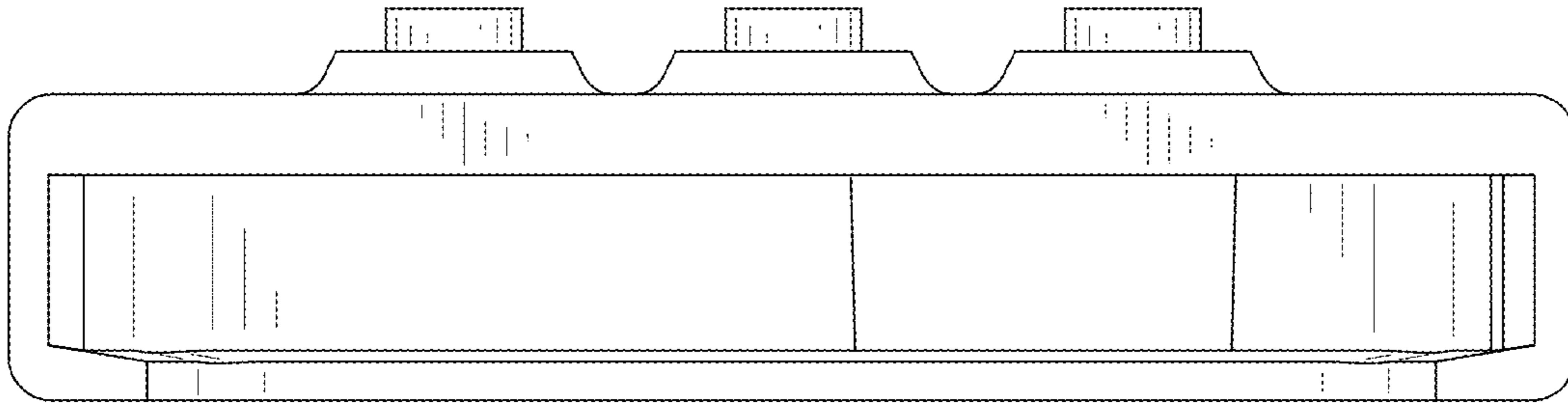


FIG. 23

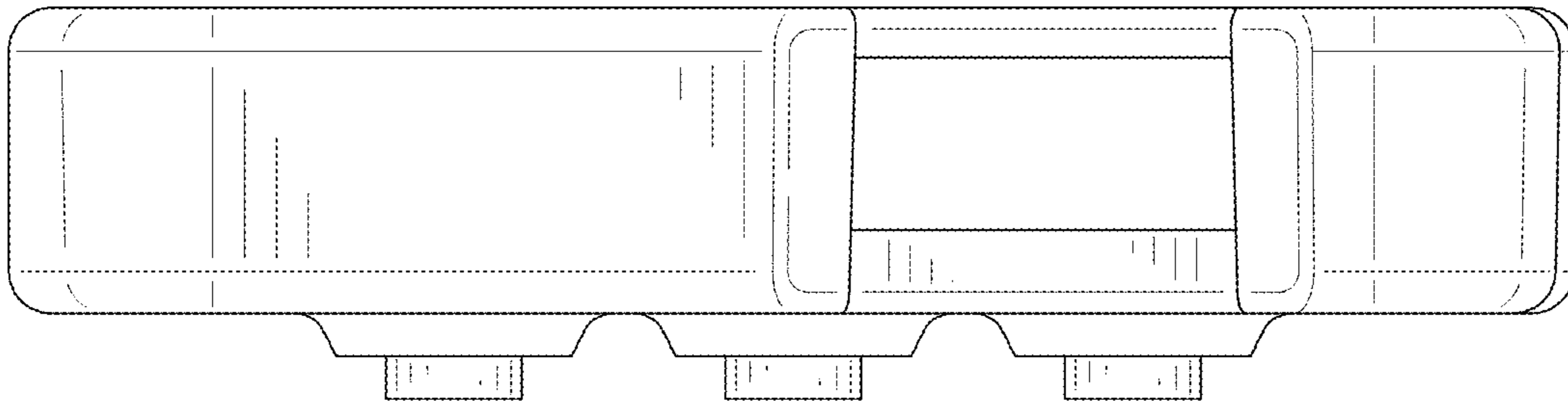


FIG. 24