



US00D928902S

(12) **United States Design Patent**
Shiner et al.

(10) **Patent No.:** **US D928,902 S**

(45) **Date of Patent:** **** Aug. 24, 2021**

(54) **GUN LOCK**

(74) *Attorney, Agent, or Firm* — Fish & Richardson P.C.

(71) Applicant: **Personal and Recreational Products, Inc.**, Westlake, TX (US)

(57) **CLAIM**

The ornamental design for a gun lock, substantially as shown and described.

(72) Inventors: **Timothy A. Shiner**, Westlake, TX (US); **Donald Riley Goodwin, III**, Fort Worth, TX (US)

DESCRIPTION

(73) Assignee: **Personal and Recreational Products, Inc.**, Westlake, TX (US)

FIG. 1 is a front, bottom perspective view of a gun lock showing our new design.

(**) Term: **15 Years**

FIG. 2 is a front, top perspective view thereof.

(21) Appl. No.: **29/675,737**

FIG. 3 is a front, bottom perspective view of the parts of the gun lock separated.

(22) Filed: **Jan. 4, 2019**

FIG. 4 is a front, top perspective view thereof.

(51) **LOC (13) Cl.** **22-01**

FIG. 5 is a front view of the gun lock of FIG. 1.

(52) **U.S. Cl.**

USPC **D22/108**

FIG. 6 is a rear view thereof.

(58) **Field of Classification Search**

USPC D22/108, 199; D8/330, 334, 335

FIG. 7 is a top view of the gun lock of FIG. 1 with the switch in a first position.

(Continued)

FIG. 8 is a front, bottom perspective view of the male part of the gun lock of FIG. 1 with the switch having been placed in the first position.

(56) **References Cited**

U.S. PATENT DOCUMENTS

2,664,658 A * 1/1954 Bjorklund F41A 17/54
42/70.06
4,499,681 A * 2/1985 Bako E05B 37/025
42/70.07

FIG. 9 is a top view of the gun lock of FIG. 1 with the switch in a second position.

FIG. 10 is a front, bottom perspective view of the male part of the gun lock of FIG. 1 with the switch having been placed in the second position.

(Continued)

FIG. 11 is a bottom view of the male part of the gun lock of FIG. 1 with the switch having been placed in the first position.

OTHER PUBLICATIONS

Tactical Scorpion Gear wesbite, Combination Gun Trigger Lock Pistol Rifle, Publication date unknown, [site visited Nov. 3, 2020], Available on the Internet URL <https://tacticalscorpiongear.com/tactical-scorpion-gear-combination-gun-trigger-lock-pistol-rifle.html> (Year: 2020).*

FIG. 12 is a front view thereof.

FIG. 13 is a rear view thereof.

FIG. 14 is a right side view thereof.

FIG. 15 is a left side view thereof.

FIG. 16 is a top view of the female part of the gun lock of FIG. 1.

FIG. 17 is a bottom view thereof.

FIG. 18 is a front view thereof.

FIG. 19 is a rear view thereof.

FIG. 20 if a right side view thereof.

FIG. 21 is a left side view thereof.

FIG. 22 is a rear, top perspective view thereof; and,

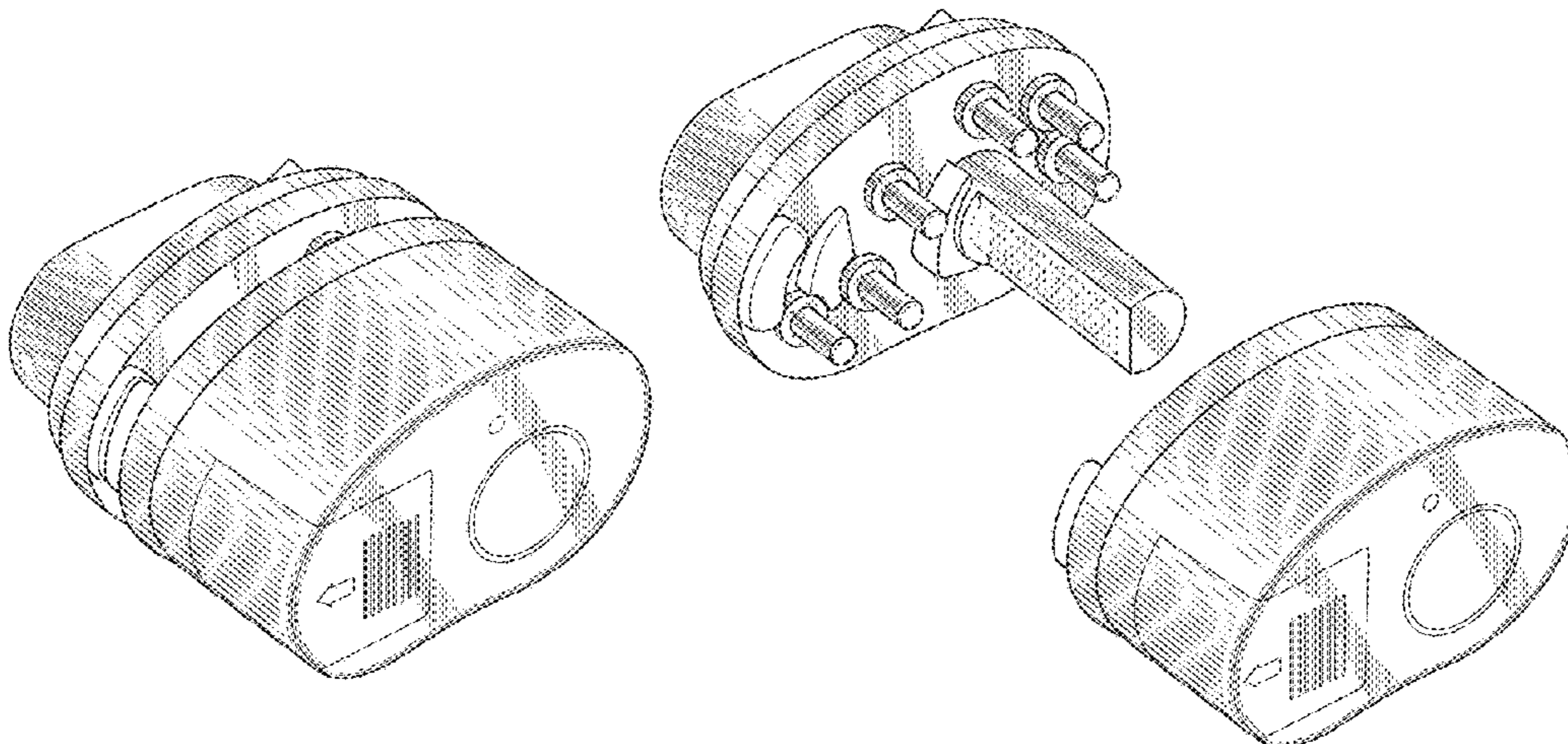
FIG. 23 is a top view of the gun lock of FIG. 1 shown in a use configuration with environment.

(Continued)

(Continued)

Primary Examiner — Karen S Acker

Assistant Examiner — Steven B Reinholdt, Jr.



The dashed lines depict portions of the gun lock that form no part of the claimed design. The dashed lines in FIG. 23 depicting the environment of a gun form no part of the claimed design. The surface shading and contour lines in the drawings do not illustrate surface ornamentations or surface decoration.

1 Claim, 6 Drawing Sheets

(58) Field of Classification Search

CPC F41A 17/04; F41A 17/06; F41A 17/54
See application file for complete search history.

(56) References Cited

U.S. PATENT DOCUMENTS

5,283,971	A *	2/1994	Fuller	F41A 17/54
					42/70.06
5,419,068	A *	5/1995	Pages	F41A 17/54
					42/70.07
5,487,234	A *	1/1996	Dragon	F41A 17/06
					340/571
5,535,605	A *	7/1996	Werner	E05B 37/025
					42/70.06
5,544,440	A *	8/1996	Stockman	F41A 17/54
					42/70.06
D375,342	S *	11/1996	Collins	D22/108
5,638,627	A *	6/1997	Klein	F41A 17/04
					42/70.06
D388,149	S *	12/1997	Langner	D22/100
5,704,152	A *	1/1998	Harrison	F41A 17/04
					42/70.07
5,713,149	A *	2/1998	Cady	F41A 17/04
					42/70.06
5,724,760	A *	3/1998	Langner	F41A 17/54
					42/70.07
D393,305	S *	4/1998	Misner	D22/100
5,832,647	A *	11/1998	Ling	F41A 17/04
					42/70.07
5,899,102	A *	5/1999	Ling	E05B 37/025
					42/70.06

6,055,759	A *	5/2000	Langner	F41A 17/02
					42/70.07
6,205,695	B1 *	3/2001	Schnell	F41A 17/54
					42/70.07
D443,014	S *	5/2001	Vicale	D22/100
6,269,575	B1 *	8/2001	Chang	F41A 17/54
					42/70.07
6,460,283	B1 *	10/2002	Ramos	F41A 17/54
					42/70.01
7,584,566	B2 *	9/2009	Victor	F41A 17/02
					42/70.06
D659,789	S *	5/2012	Trevino, III	D22/108
2006/0112605	A1 *	6/2006	Sopko	F41A 17/54
					42/70.11
2006/0117633	A1 *	6/2006	Chang	F41A 17/54
					42/70.07
2015/0198402	A1 *	7/2015	Brace	F41A 17/54
					42/70.06
2016/0377362	A1 *	12/2016	Farr	F41A 17/04
					42/70.06
2019/0212086	A1 *	7/2019	Shiner	F41A 17/06
2020/0271407	A1 *	8/2020	Lied	F41A 17/54

OTHER PUBLICATIONS

Dominican Desert Cart website, Trigger lock 3 digit, Publication date unknown, [site visited Nov. 3, 2020], Available on the Internet URL <https://dominican.desertcart.com/products/41978879-trigger-lock-3-digit-combination-gun-lock-fits-pistols-hand-gun-rifles-bb-gun-shotguns> (Year: 2020).*

YouTube—CanadianGunHobbyist, Mar. 11, 2019, [site visited Nov. 3, 2020], Available on the Internet URL <https://www.youtube.com/watch?v=WVzJuvKQWRM> (Year: 2019).*

Amazon website, Master Lock 94DSPT Combination Gun Lock, Date first available on Amazon Jun. 6, 2005, [site visited Nov. 3, 2020], Available on the Internet URL <https://www.amazon.com/Master-Lock-94DSPT-Your-Combination/dp/B00004SQM9> (Year: 2005).*

Amazon.com [online], “RioRand 3-Digit Combination Gun Lock: Fits Pistols, Rifles, Shotguns,” Amazon: Guns Parts & Accessories, [retrieved on Dec. 13, 2018], retrieved from: URL <https://www.amazon.com/RioRand-3-Digit-Combination-Pistols_Shotguns/dp/B01M5LL>, 12 pages.

* cited by examiner

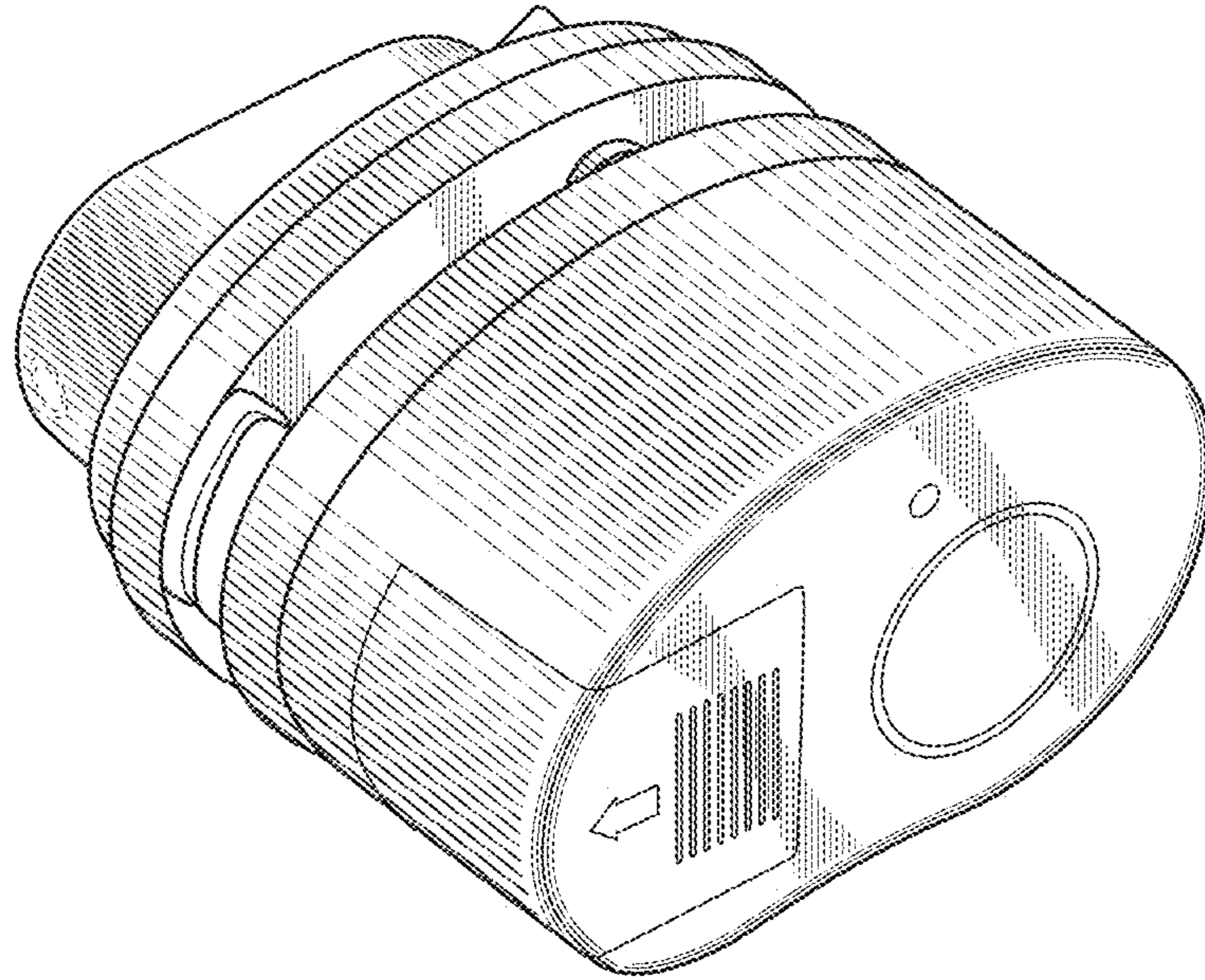


FIG. 1

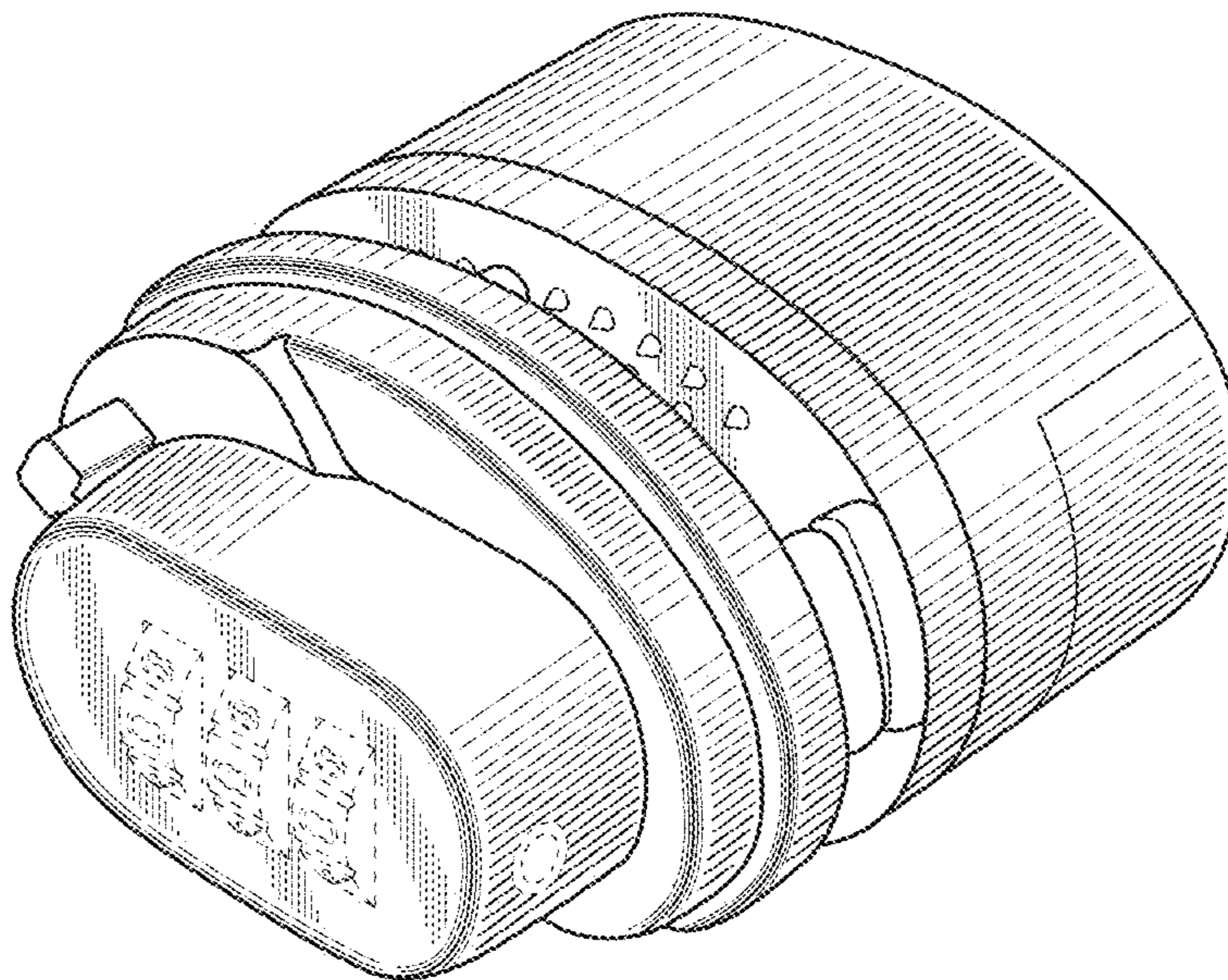
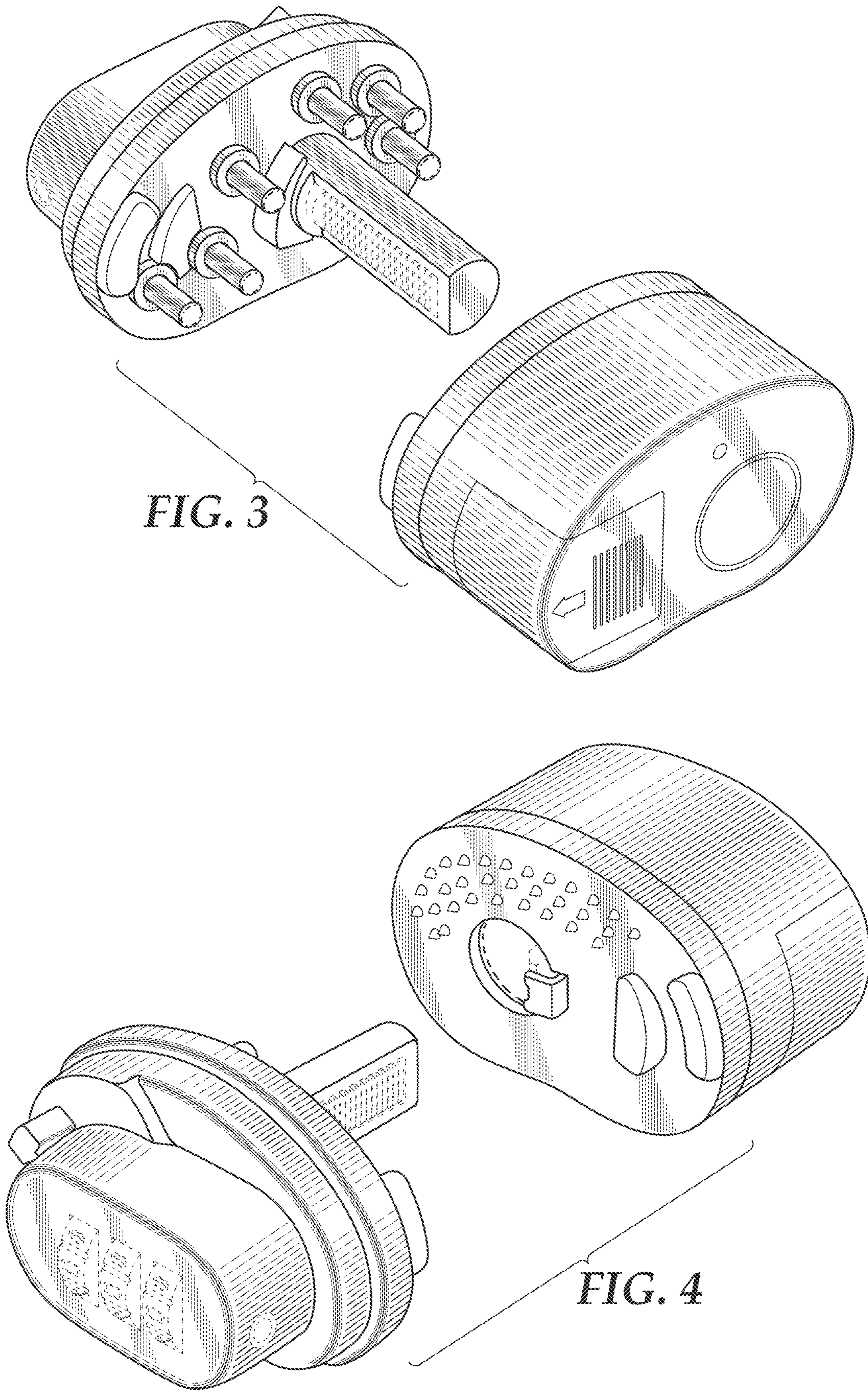


FIG. 2



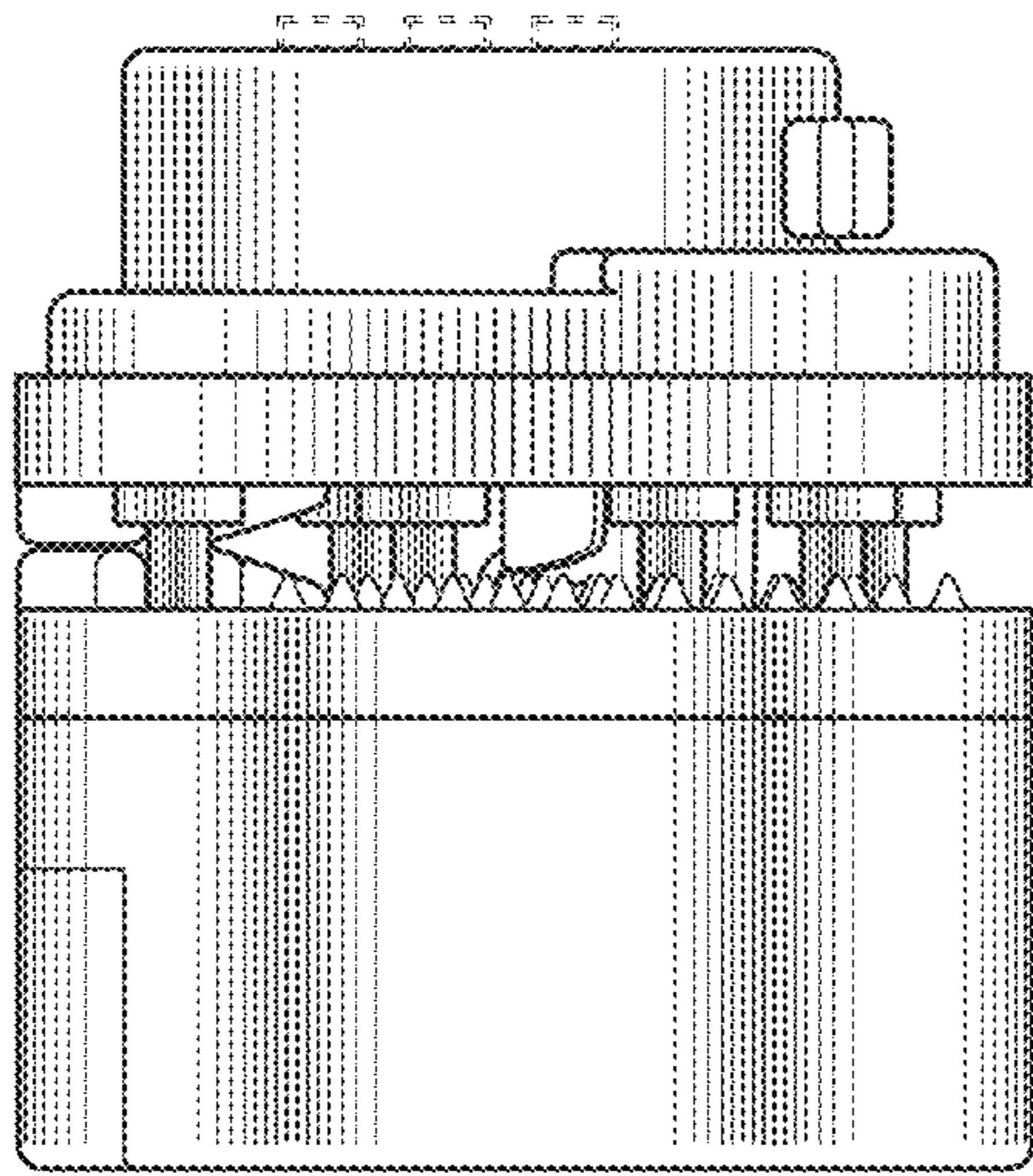


FIG. 5

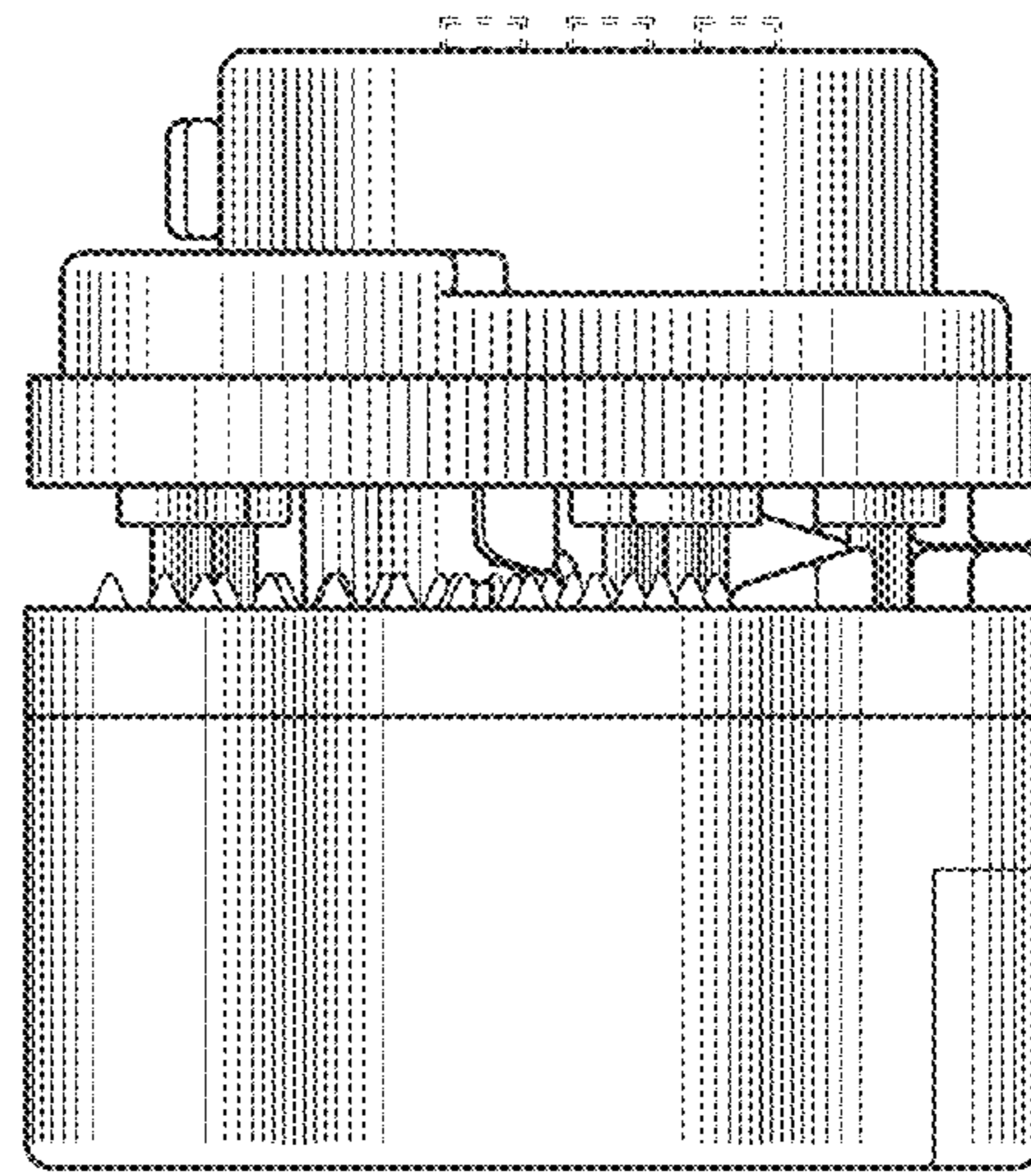


FIG. 6

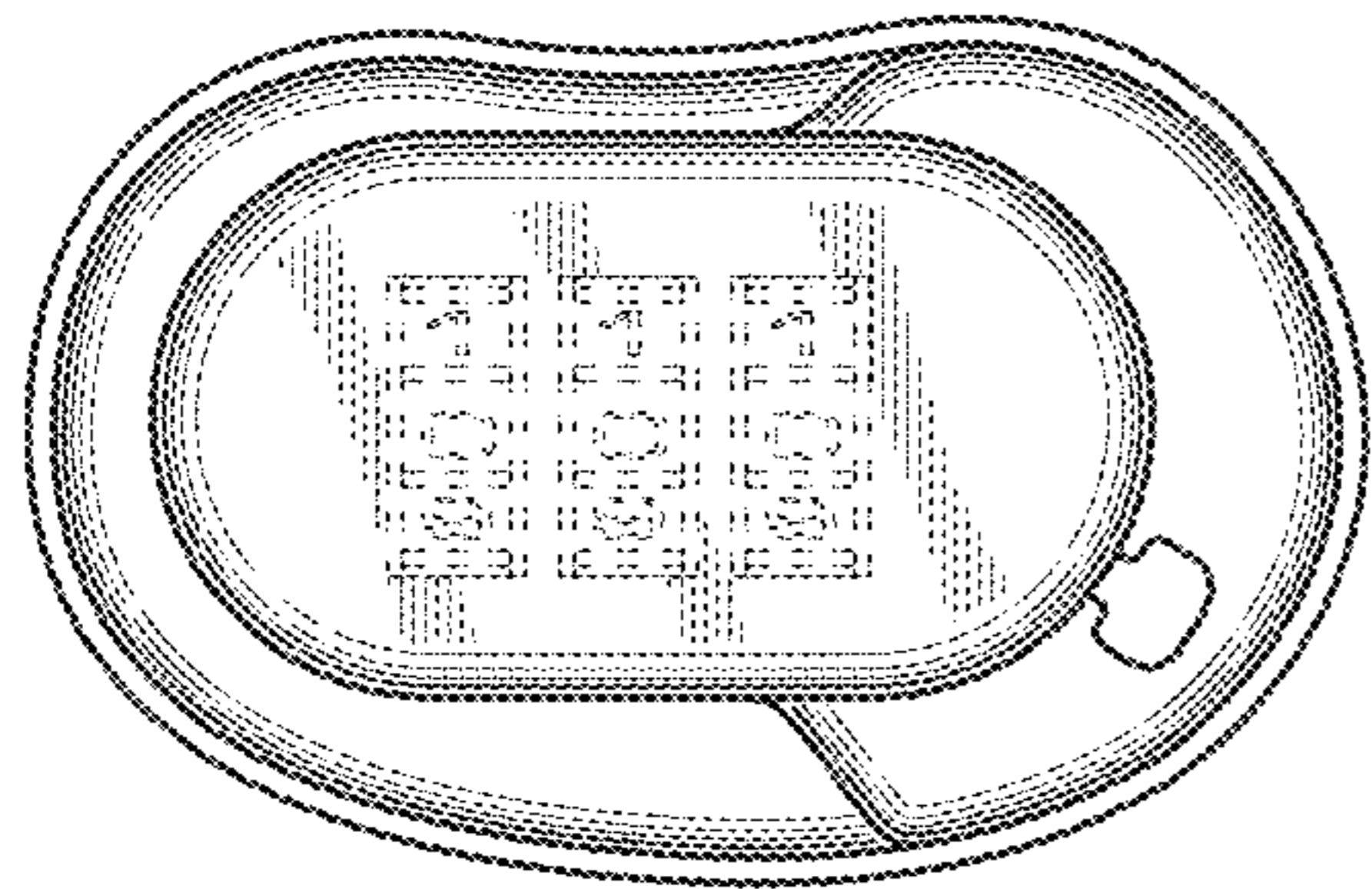


FIG. 7

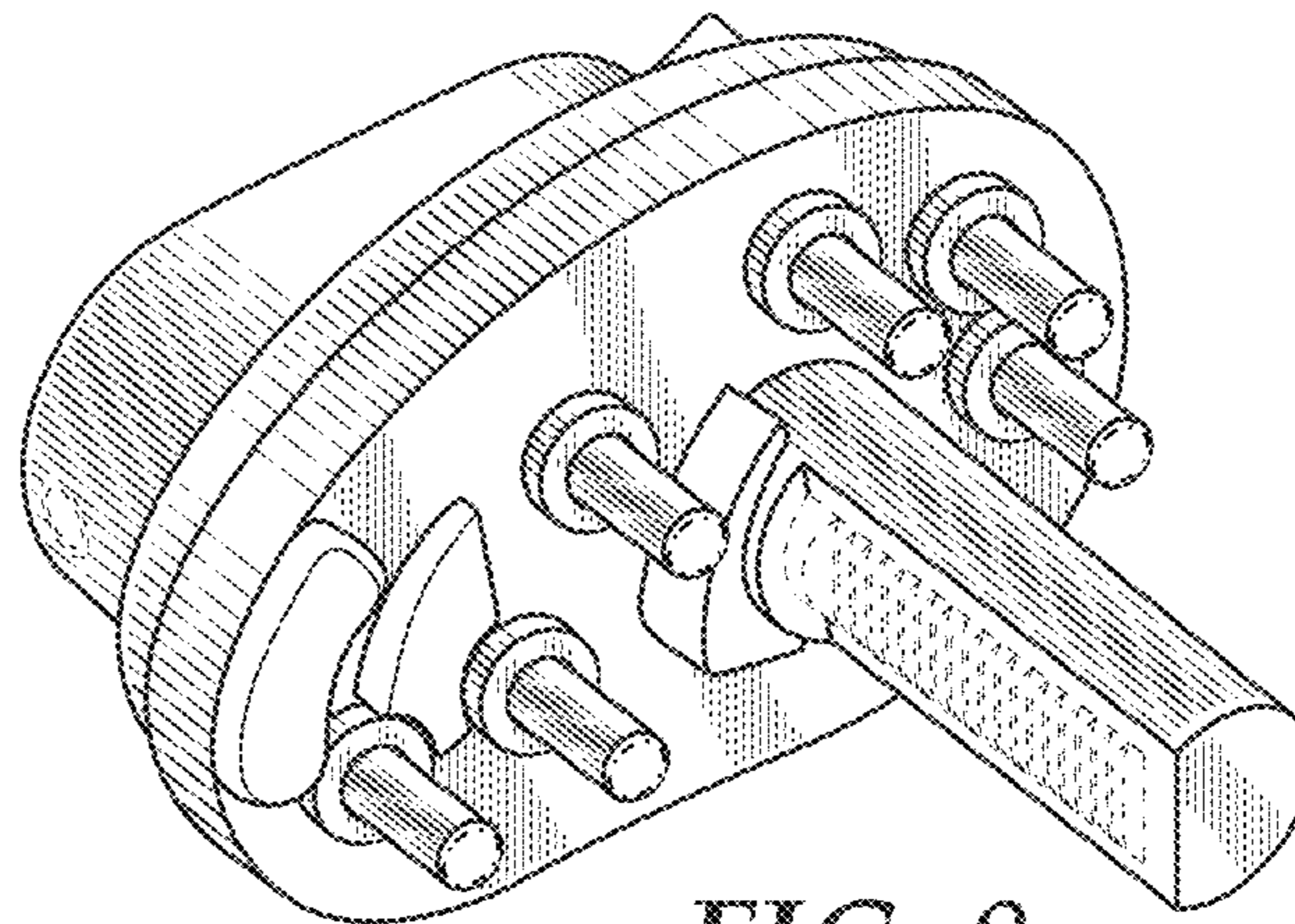


FIG. 8

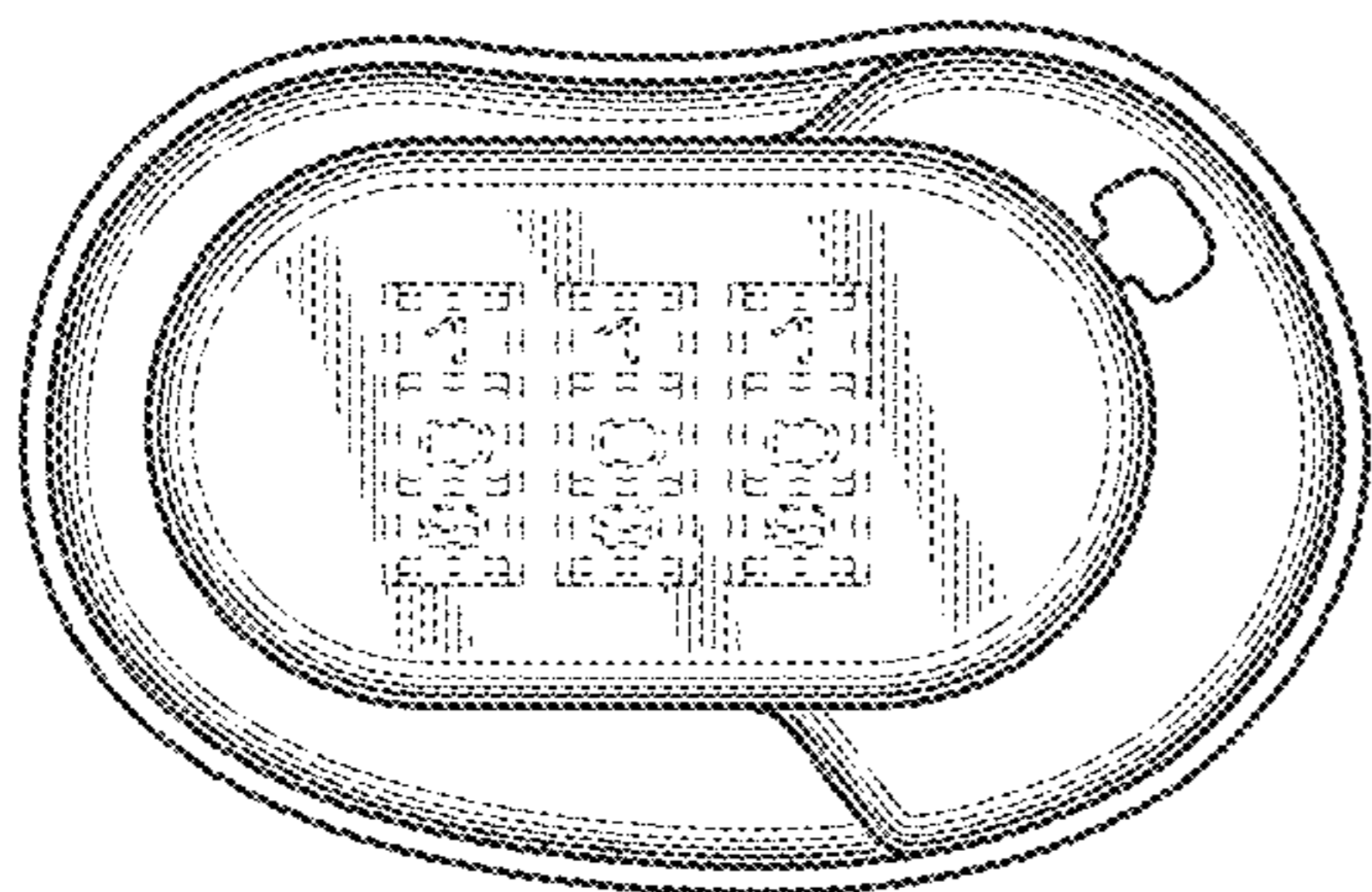


FIG. 9

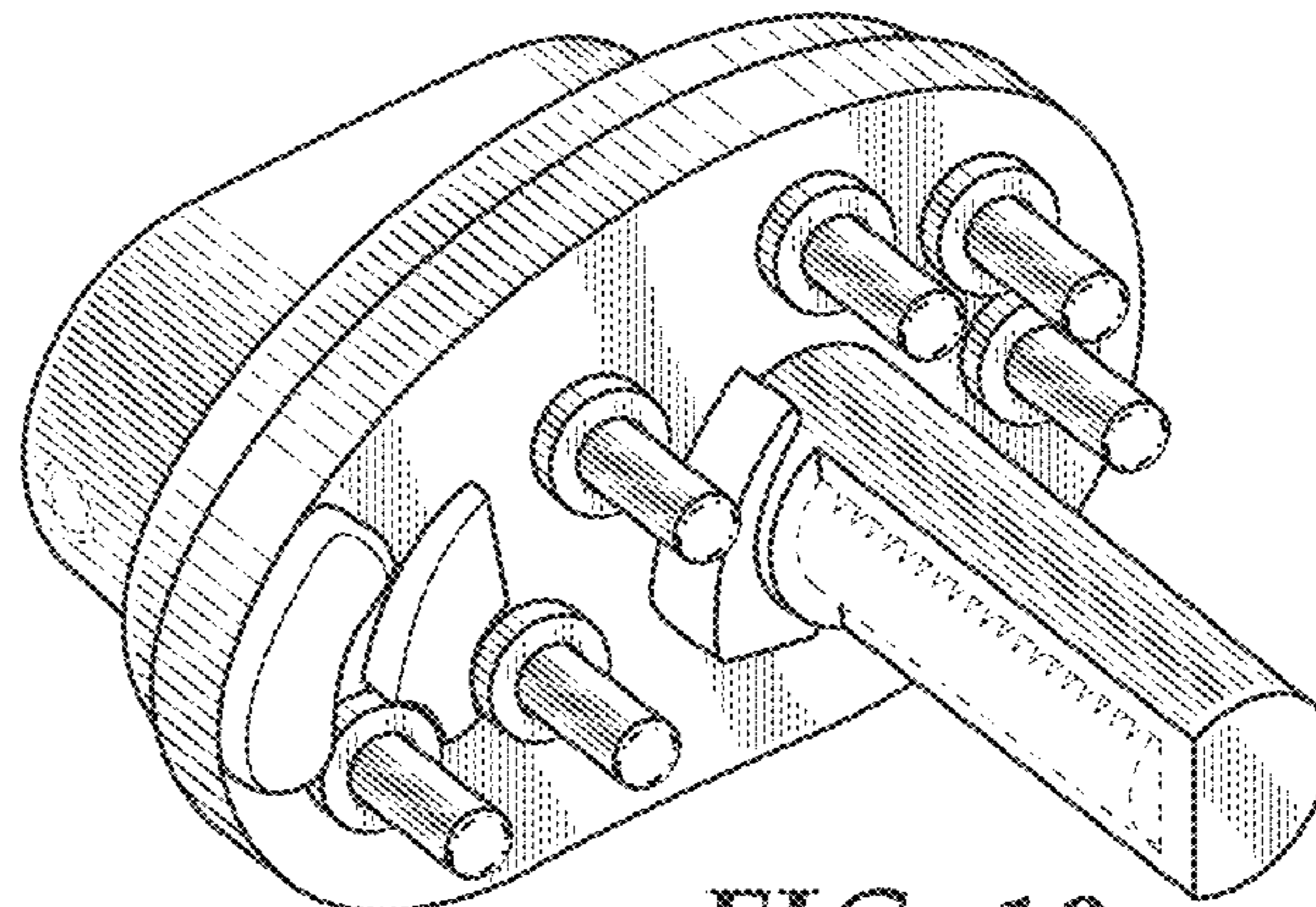


FIG. 10

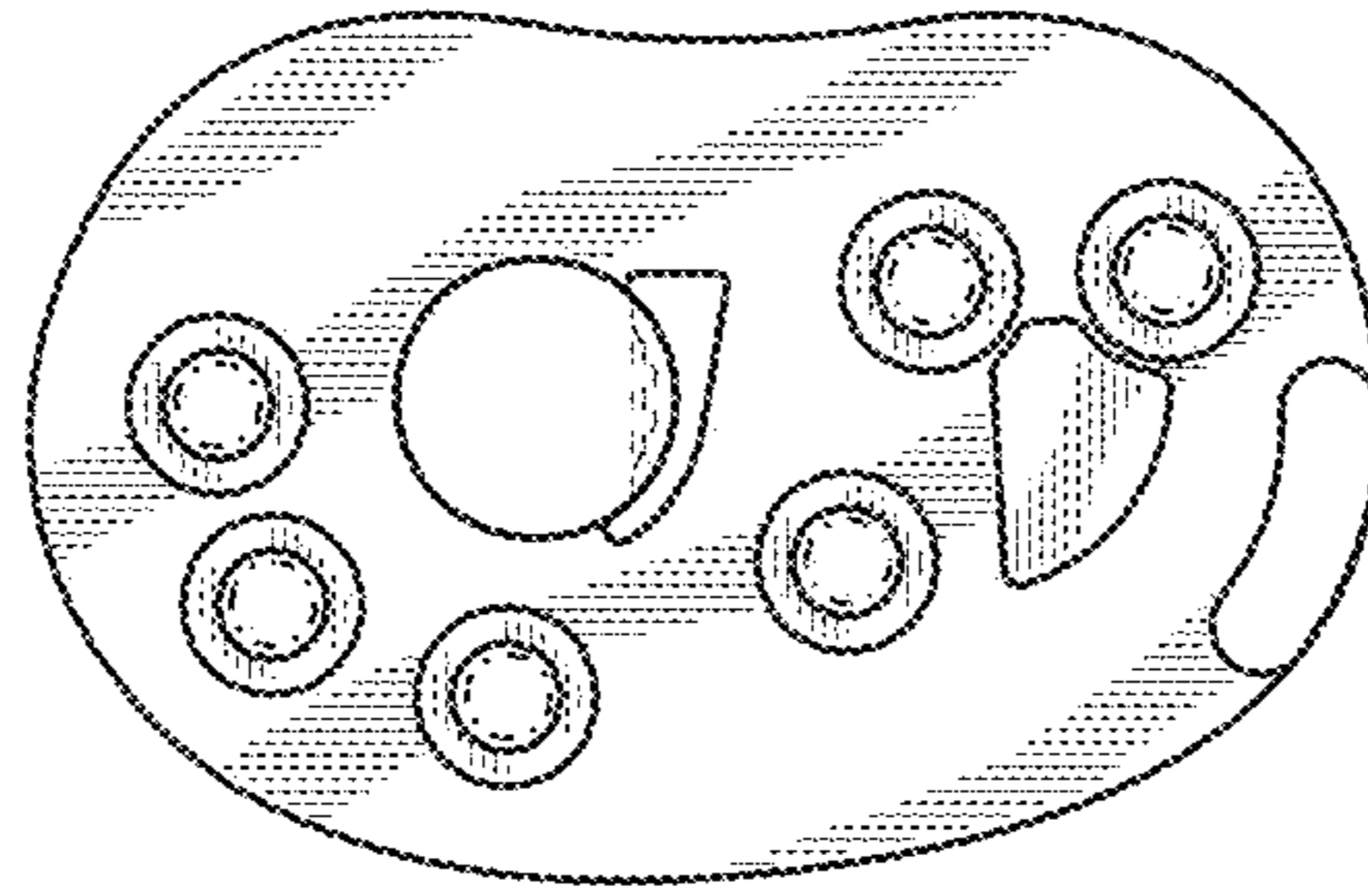


FIG. 11

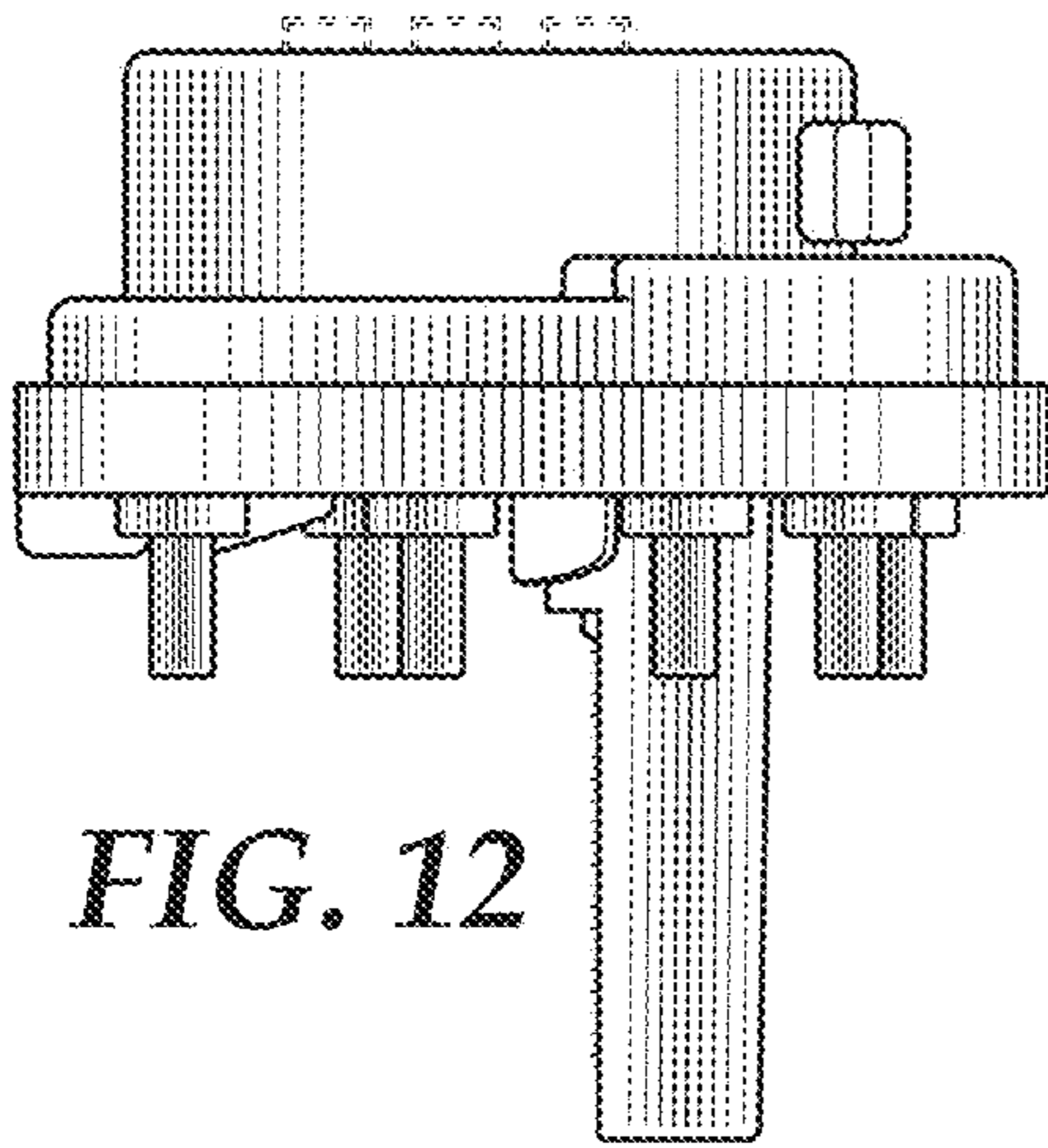


FIG. 12

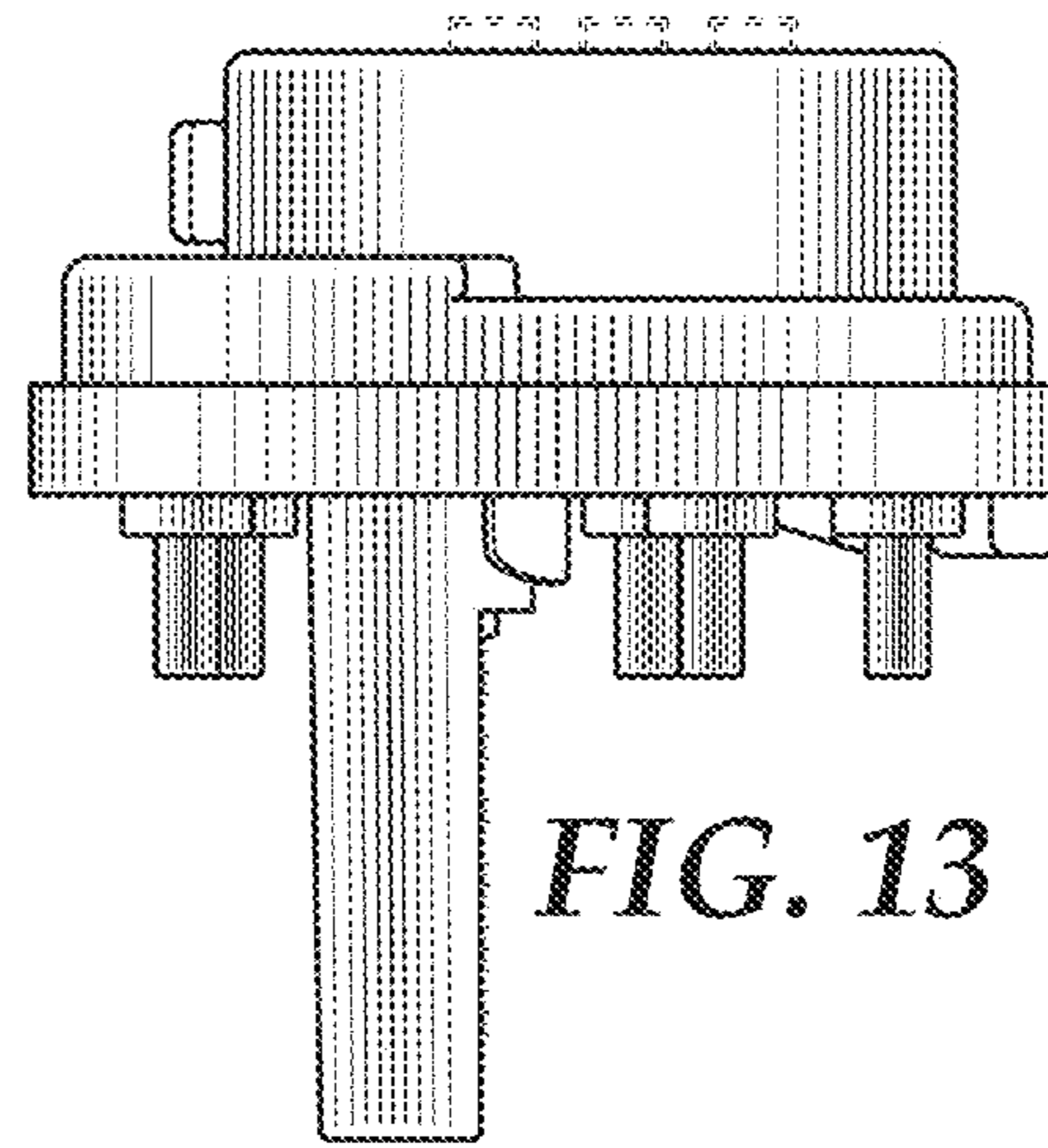


FIG. 13

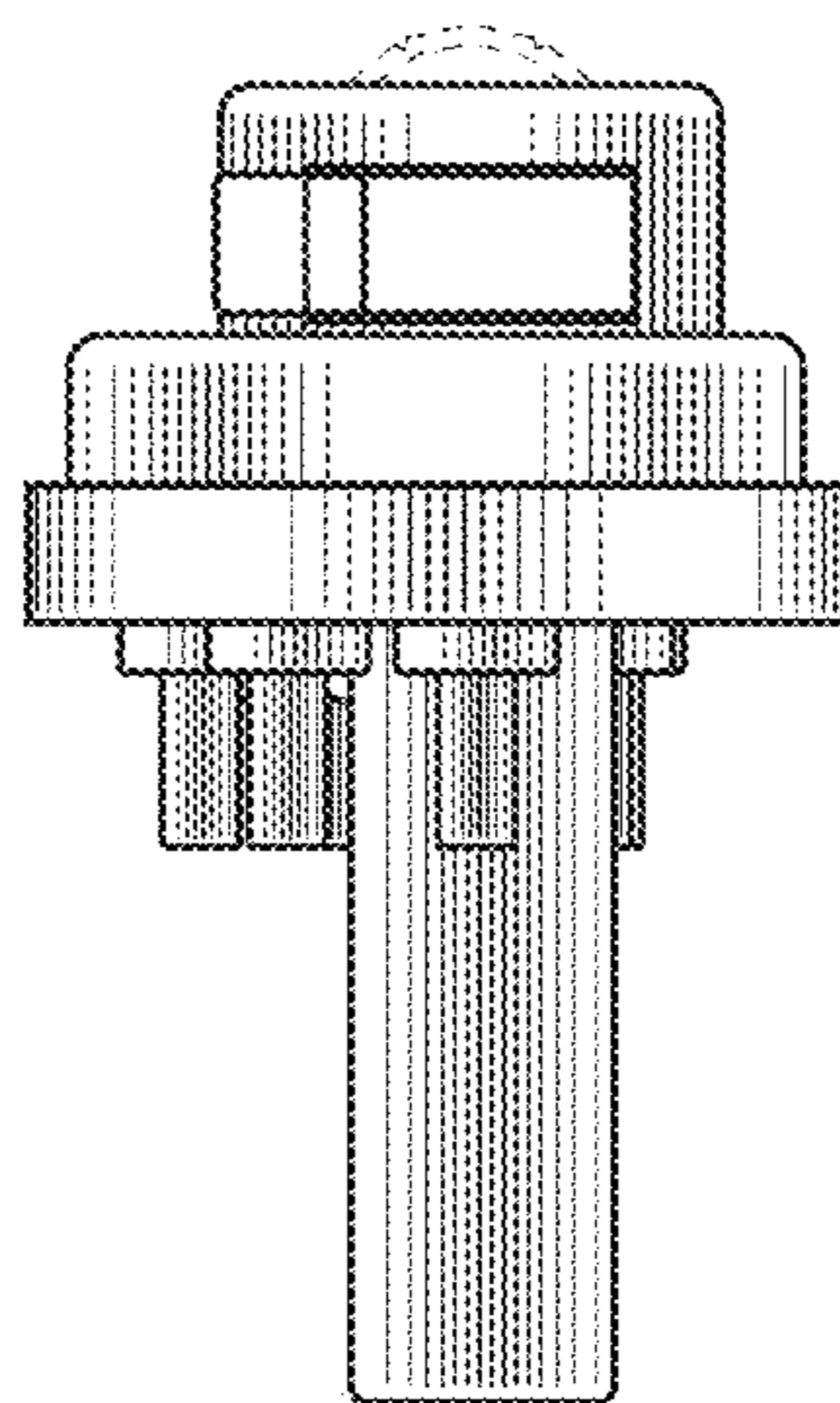


FIG. 14

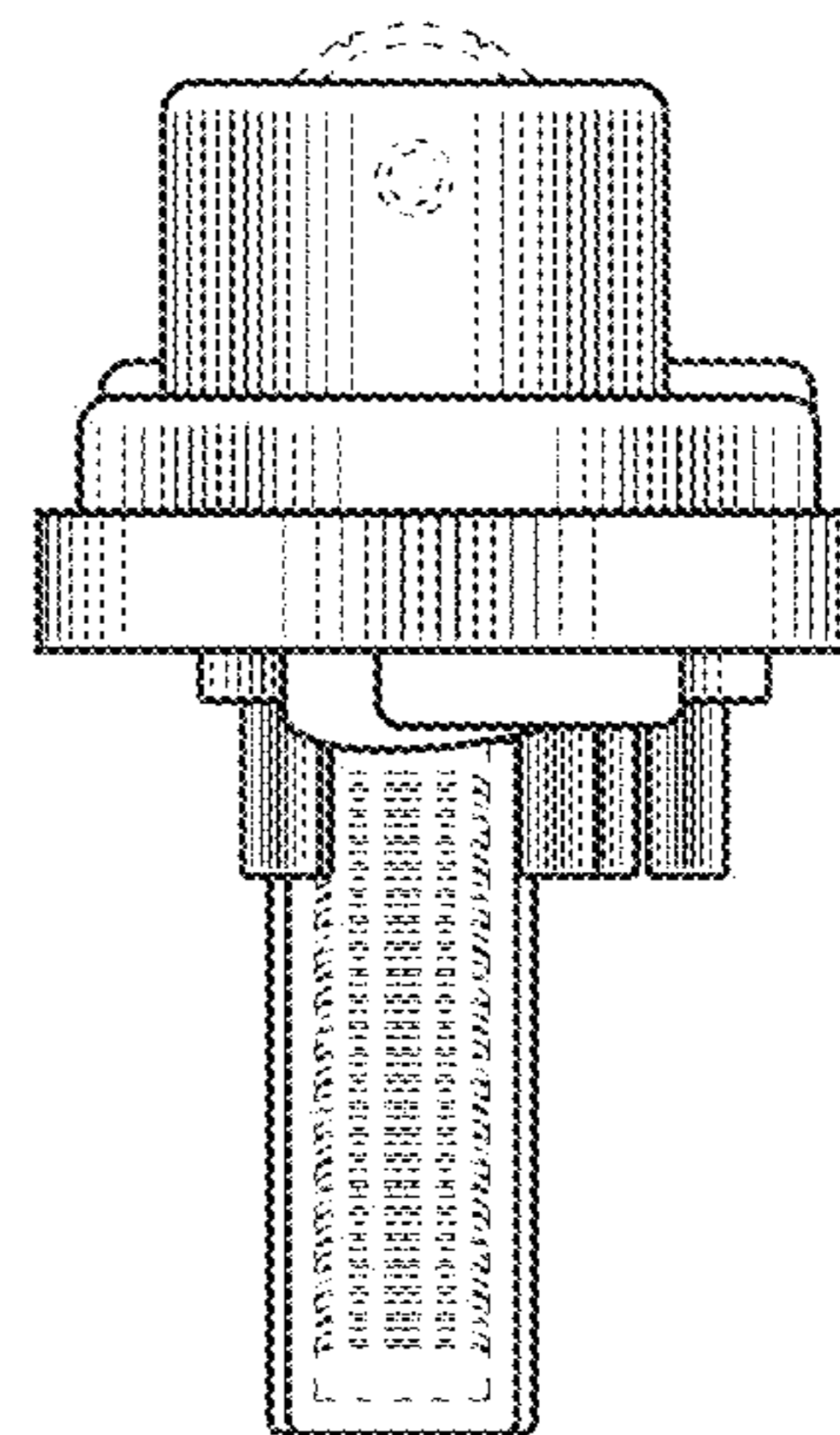


FIG. 15

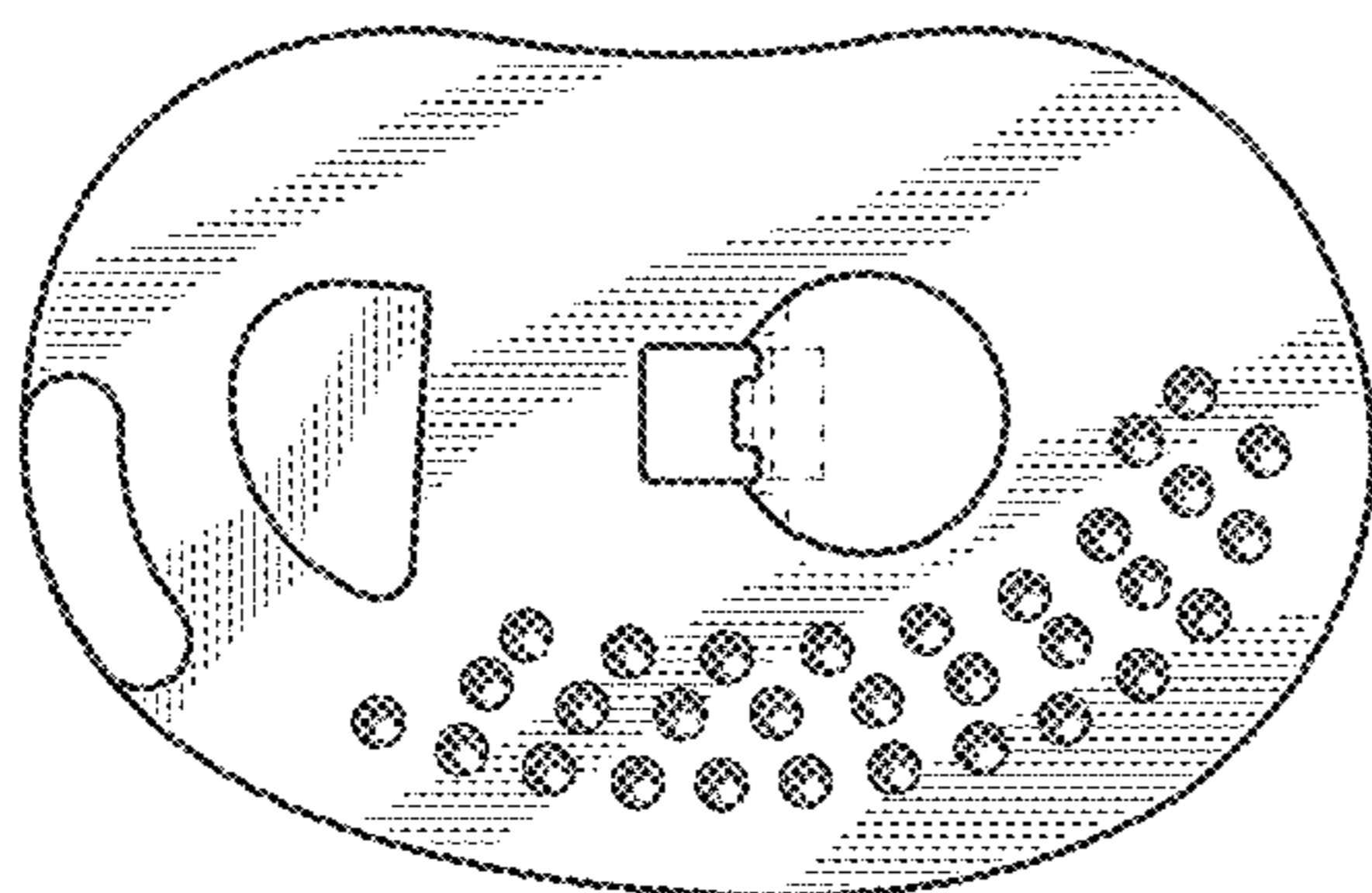


FIG. 16

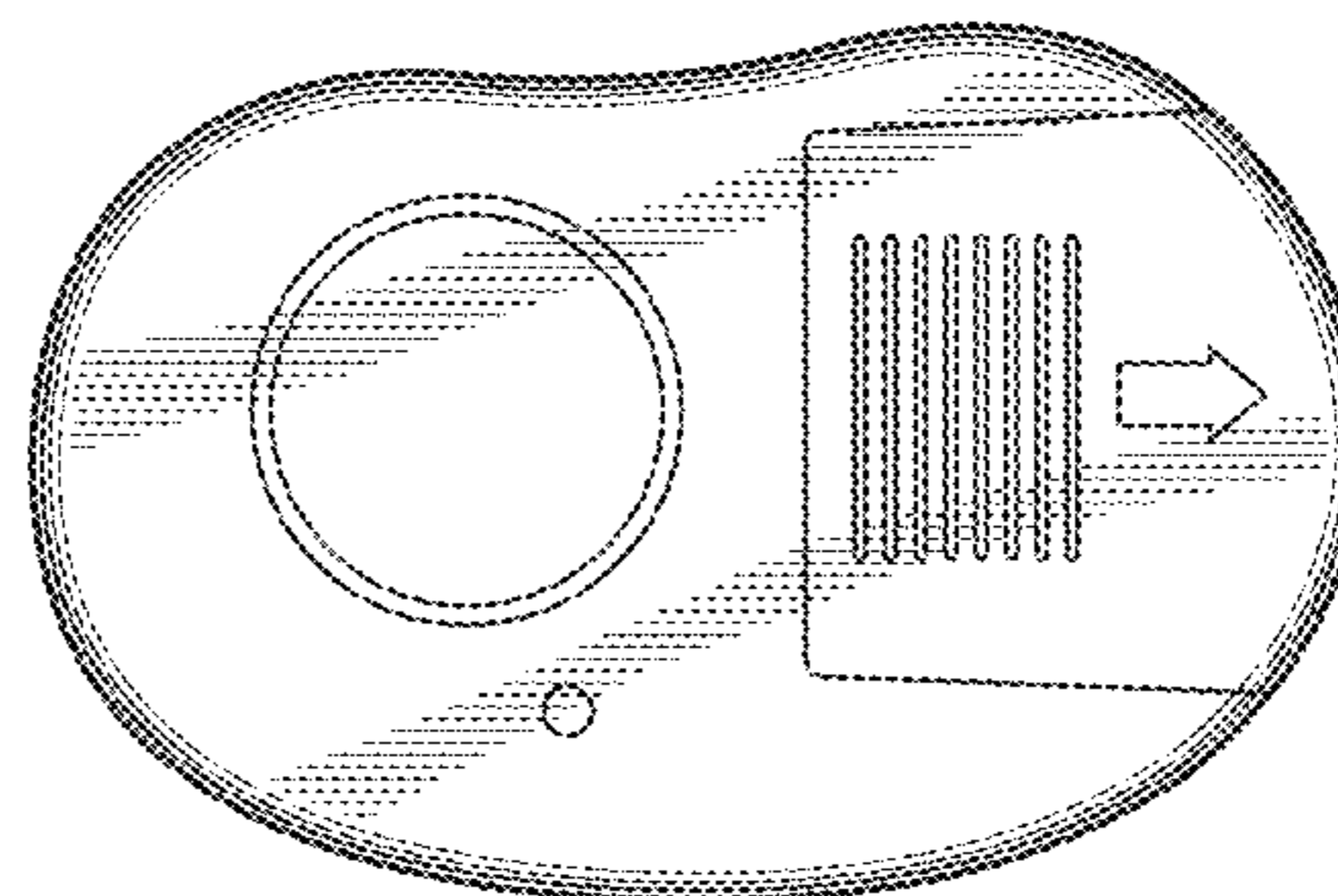


FIG. 17

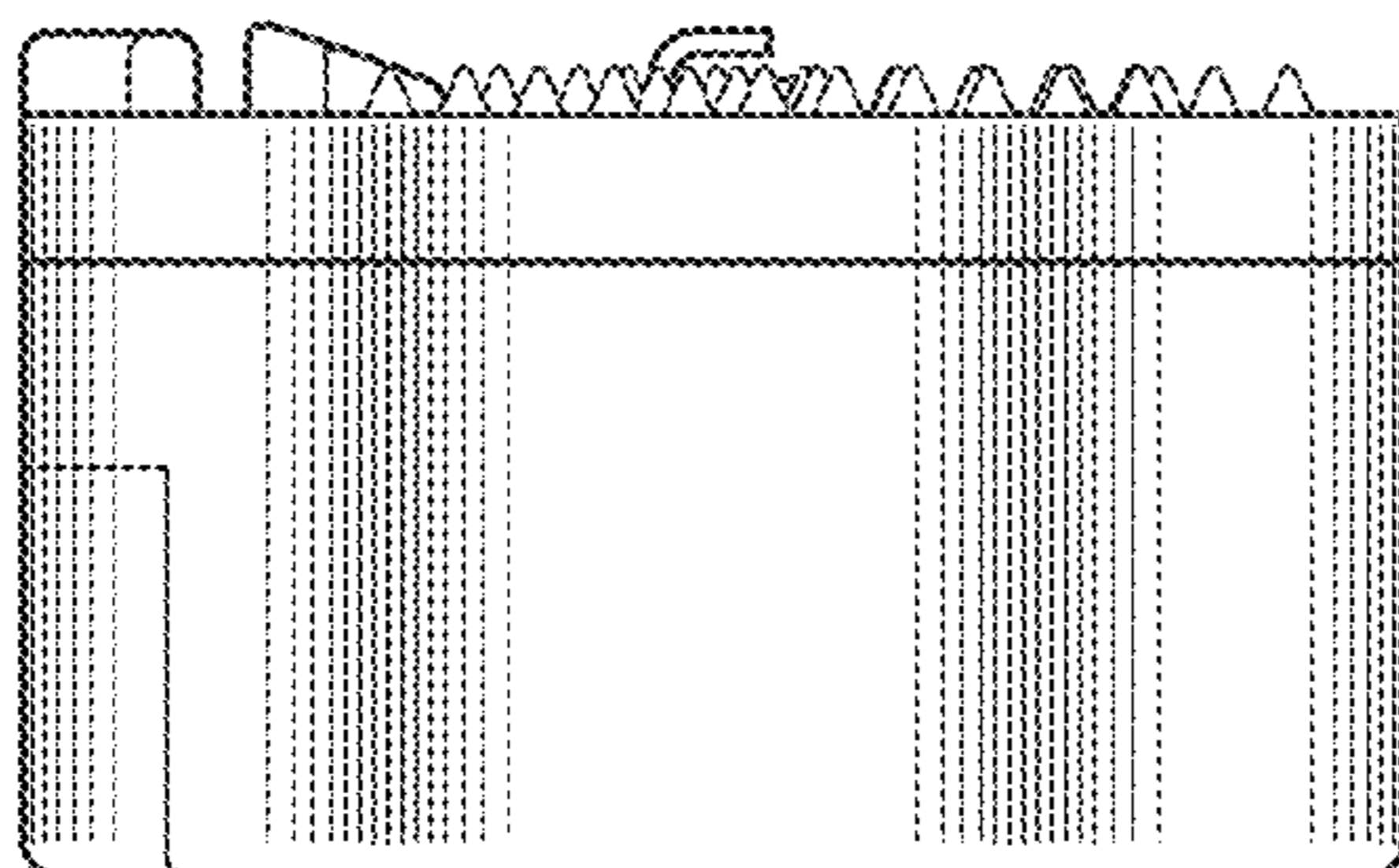


FIG. 18

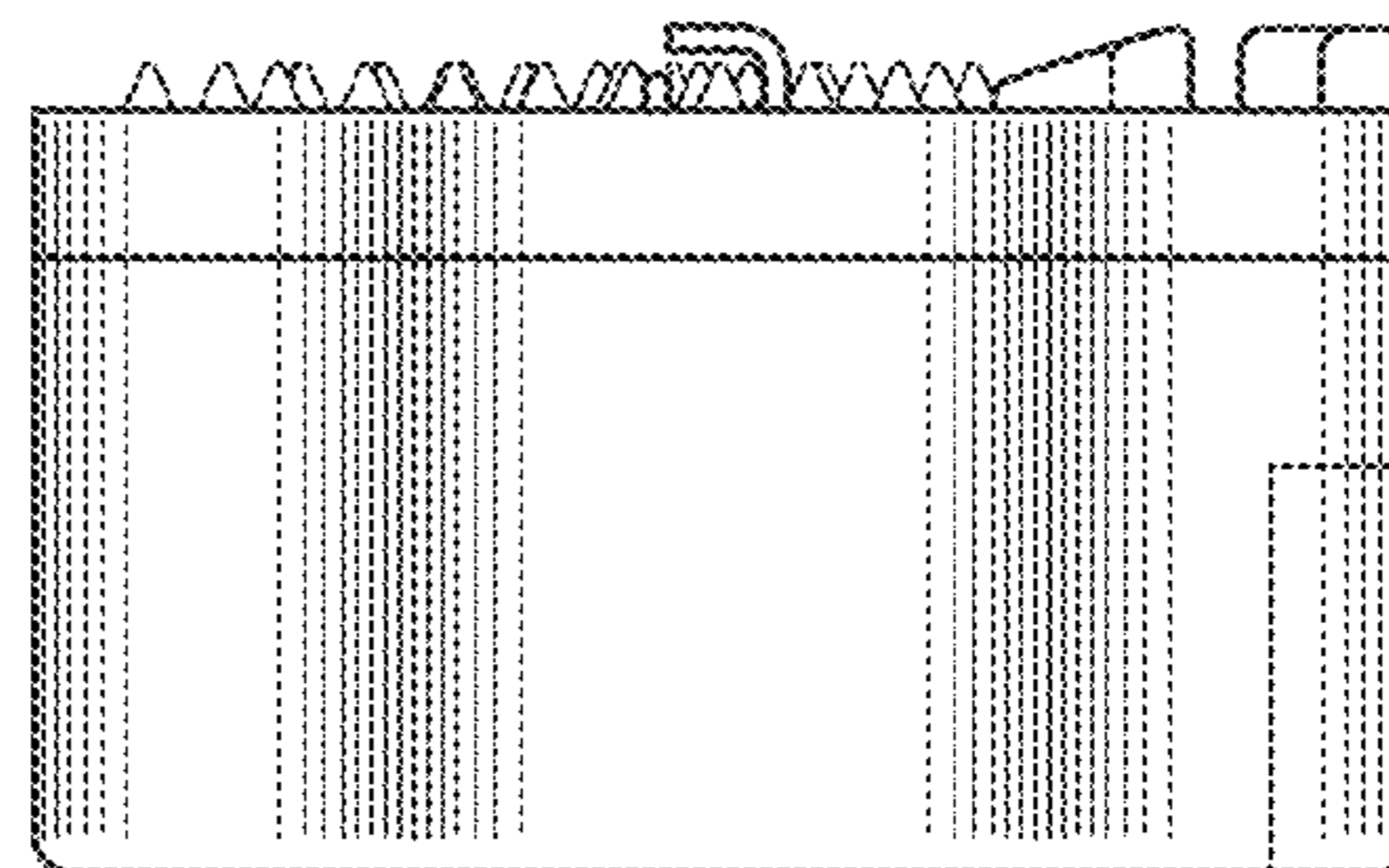


FIG. 19

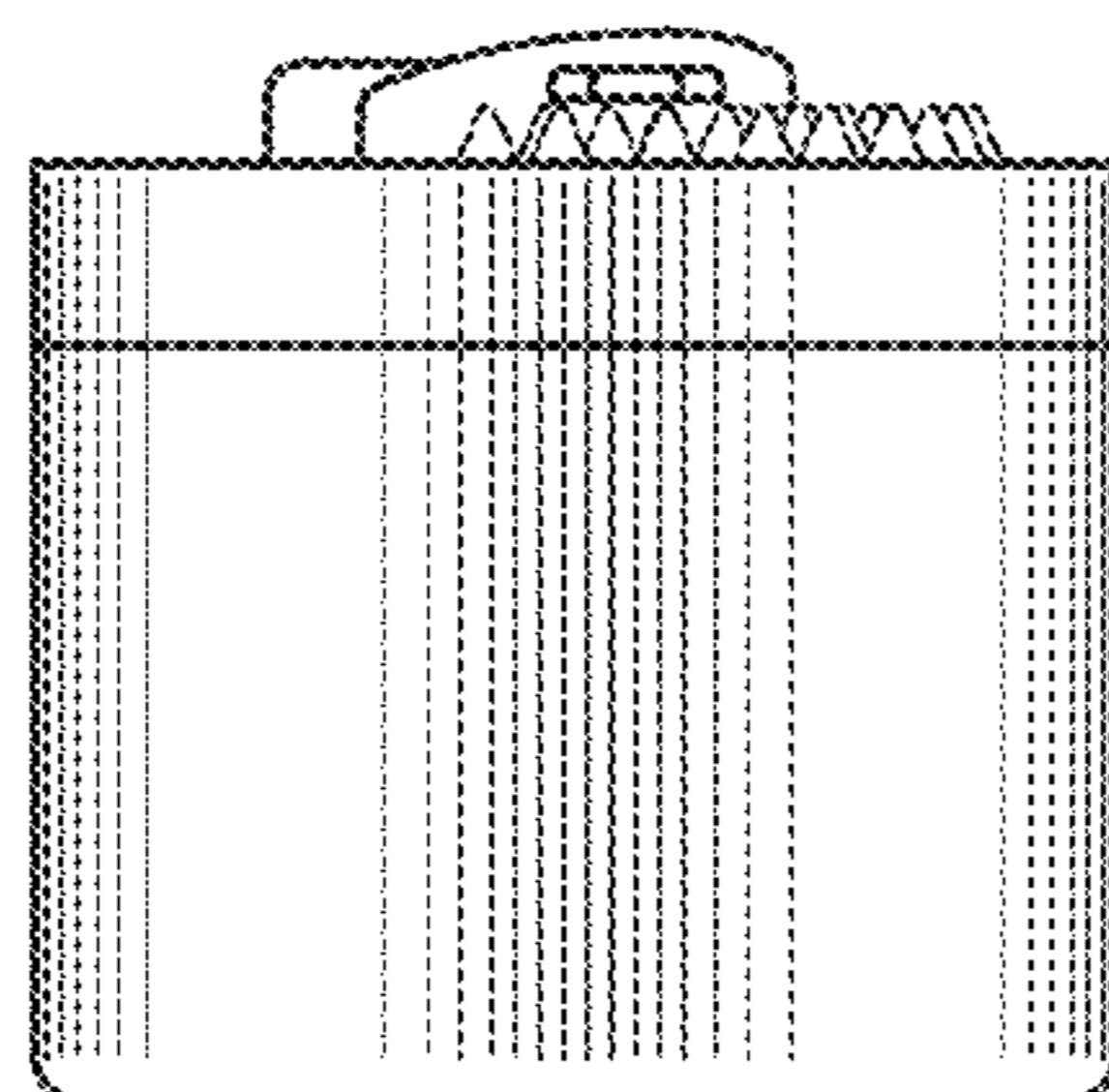


FIG. 20

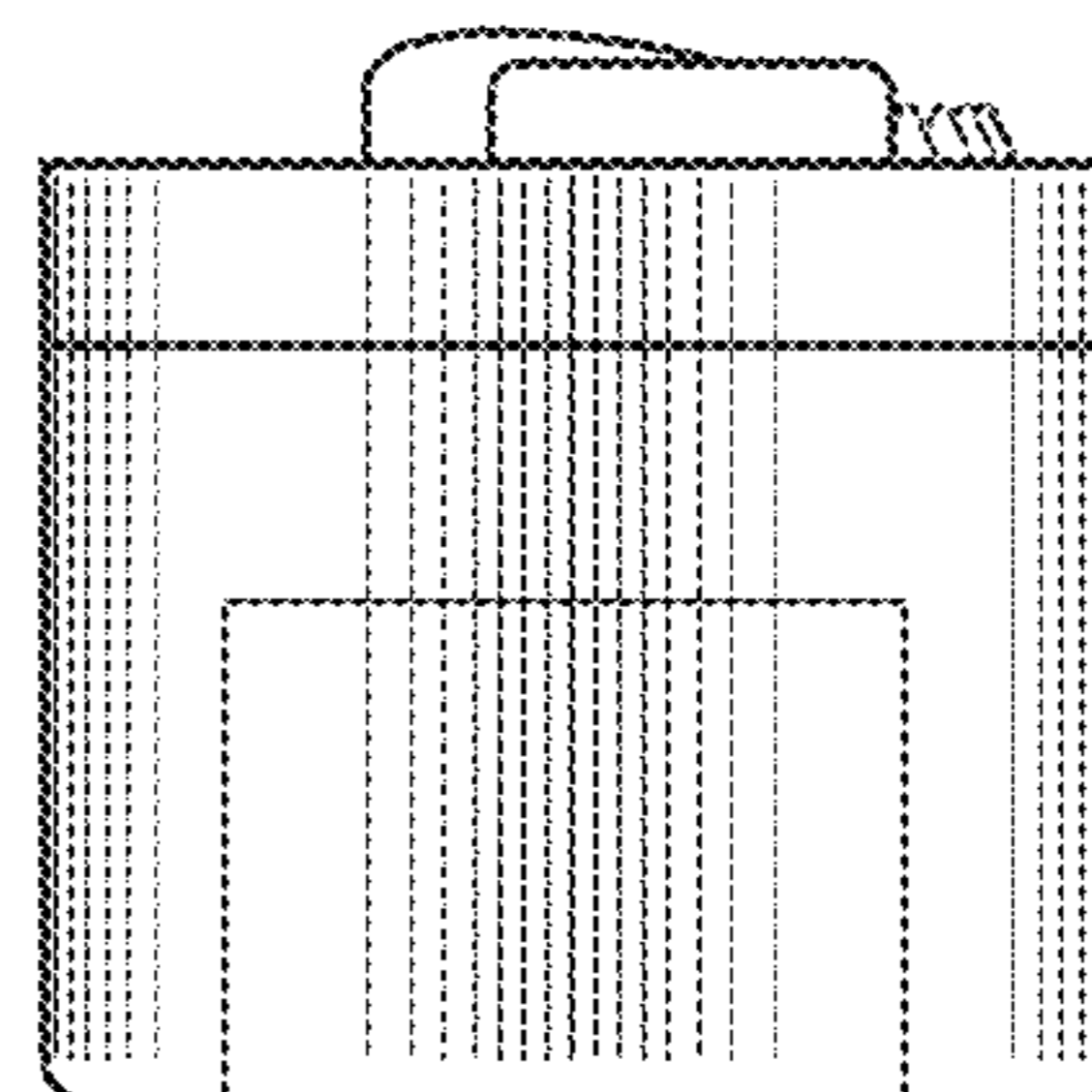


FIG. 21

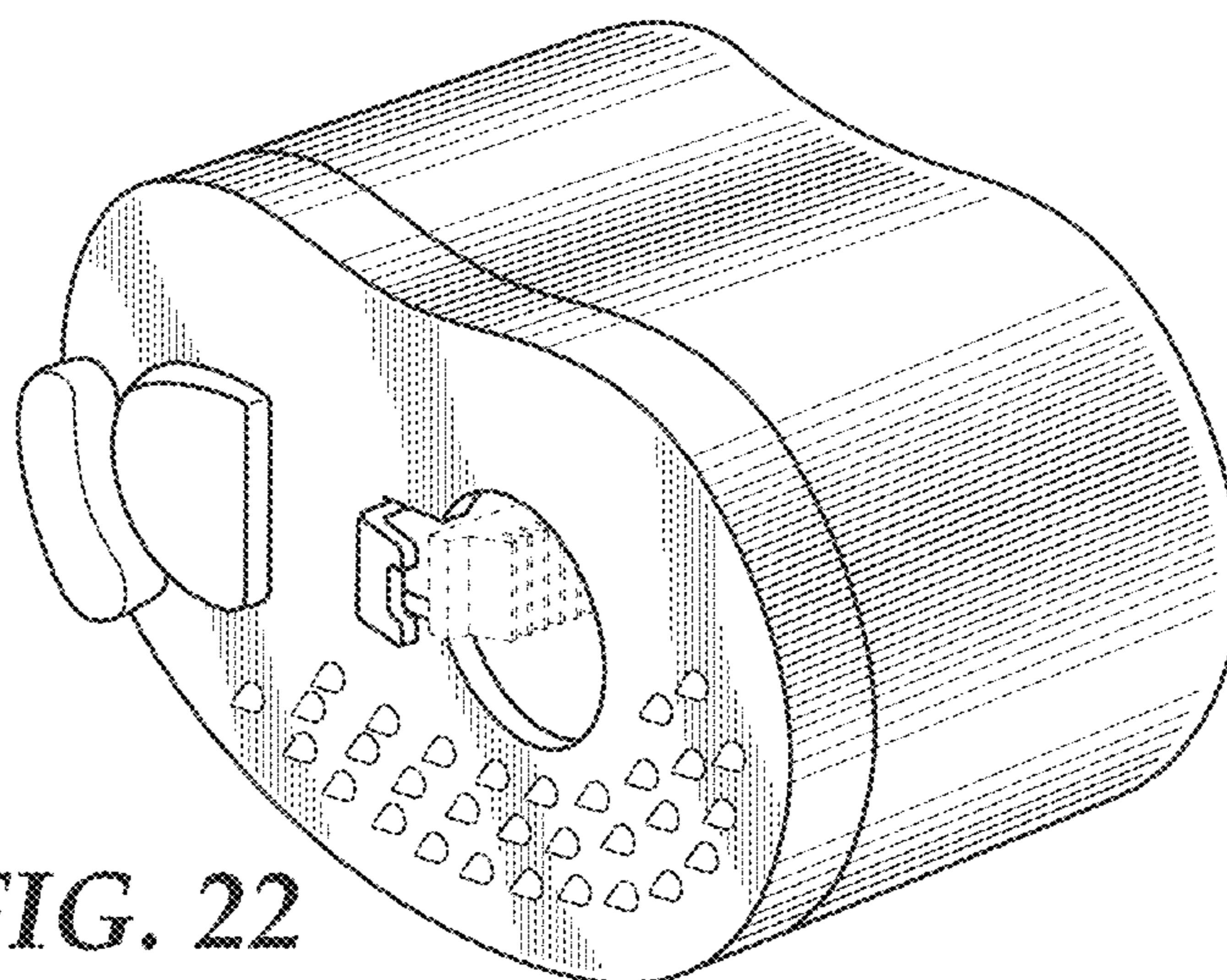


FIG. 22

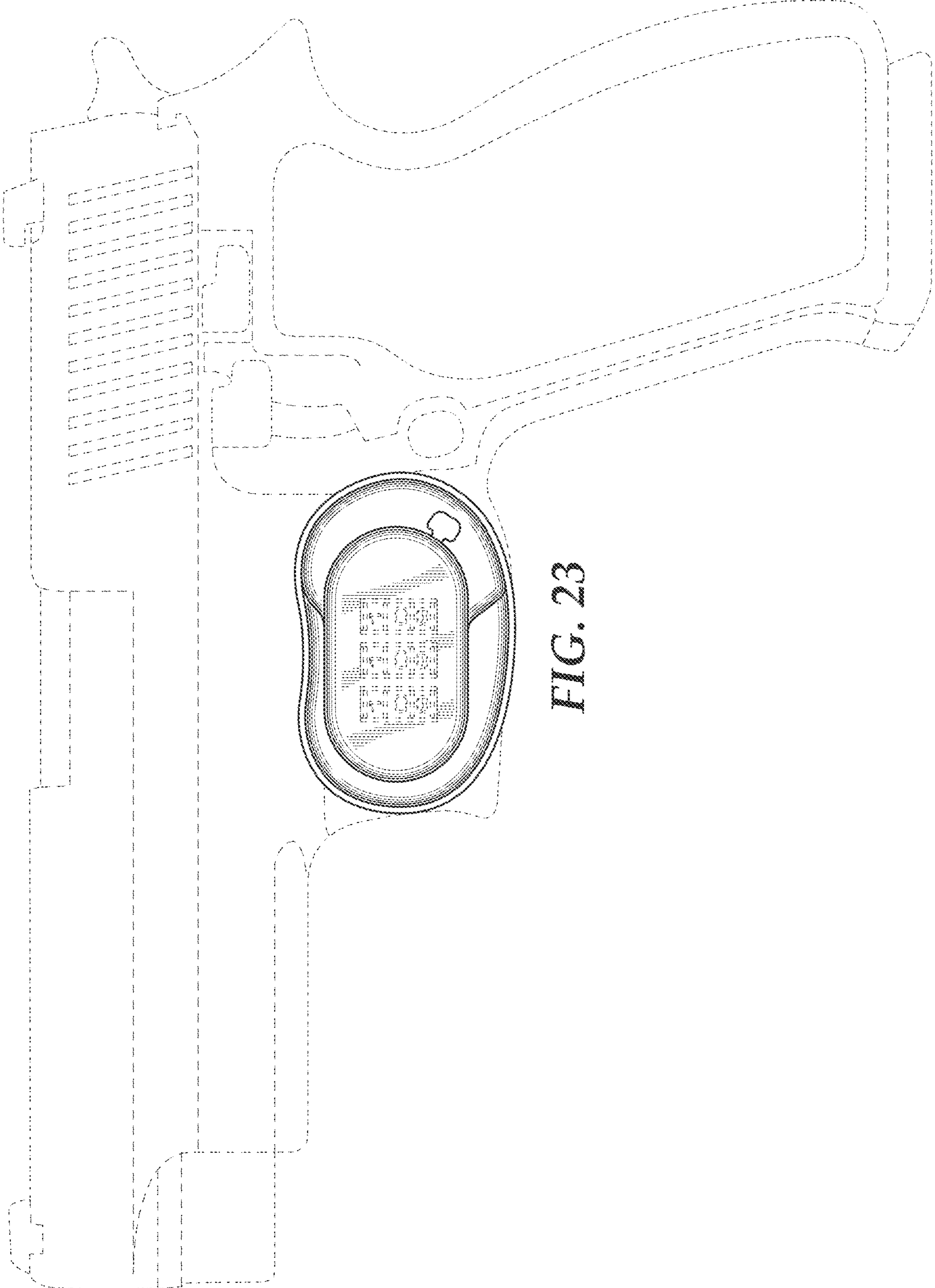


FIG. 23