



US00D928901S

(12) **United States Design Patent**  
**Ren**

(10) **Patent No.:** **US D928,901 S**

(45) **Date of Patent:** **\*\* Aug. 24, 2021**

(54) **AIR POWERED GUN**

(71) Applicant: **Shuai Ren**, Shenzhen (CN)

(72) Inventor: **Shuai Ren**, Shenzhen (CN)

(\*\*) Term: **15 Years**

(21) Appl. No.: **29/773,143**

(22) Filed: **Mar. 8, 2021**

(30) **Foreign Application Priority Data**

Feb. 8, 2021 (CN) ..... 202130091142.4

(51) **LOC (13) Cl.** ..... **22-01**

(52) **U.S. Cl.**

USPC ..... **D22/103; D21/574**

(58) **Field of Classification Search**

USPC ..... D22/104, 108; D21/573–575

CPC .. A63H 5/04; A63H 33/18; F41C 3/14; F41C  
3/16; F41C 3/04

See application file for complete search history.

(56) **References Cited**

**U.S. PATENT DOCUMENTS**

D149,113 S *	3/1948	Dille .....	D21/574
D385,586 S *	10/1997	Hanatani .....	D14/418
D662,995 S *	7/2012	Hara .....	D21/574
D812,189 S	3/2018	Yorns et al.	
D883,401 S *	5/2020	Yang .....	D21/574
D903,817 S	12/2020	Longshore	
D908,816 S *	1/2021	Cheng .....	D21/573

2013/0219767 A1\* 8/2013 Peterson ..... F41G 1/10  
42/113

2015/0285584 A1\* 10/2015 Mayberry ..... F41G 11/003  
42/71.01

2019/0323542 A1\* 10/2019 Windfeldt ..... F41G 11/001

\* cited by examiner

*Primary Examiner* — Michael A. Pratt

(74) *Attorney, Agent, or Firm* — ScienBiziP, P.C.

(57) **CLAIM**

The ornamental design for an air powered gun, as shown and described.

**DESCRIPTION**

FIG. 1 is a front, right, and top perspective view of an air powered gun, showing my design.

FIG. 2 is a rear, left, and bottom perspective view thereof.

FIG. 3 is a front elevation view thereof.

FIG. 4 is a rear elevation view thereof.

FIG. 5 is a left side elevation view thereof.

FIG. 6 is a right side elevation view thereof.

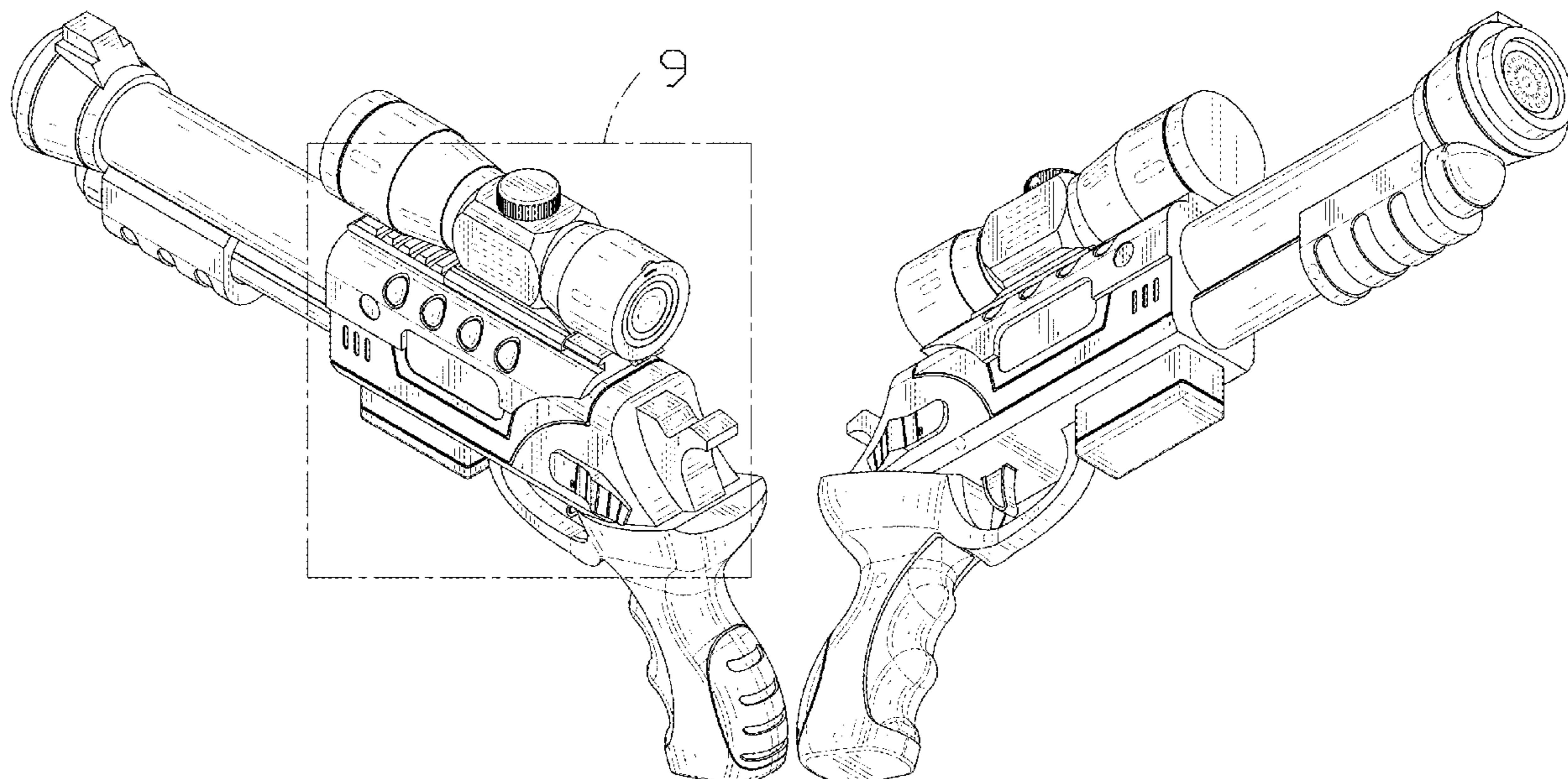
FIG. 7 is a top plan view thereof.

FIG. 8 is a bottom plan view thereof; and,

FIG. 9 is a partial enlarged view of a sight glass and gun-barre labeled 9 in FIG. 1.

The broken lines shown in the drawings are included for the purpose of illustrating portions of the air powered gun that form no part of the claimed design.

**1 Claim, 9 Drawing Sheets**



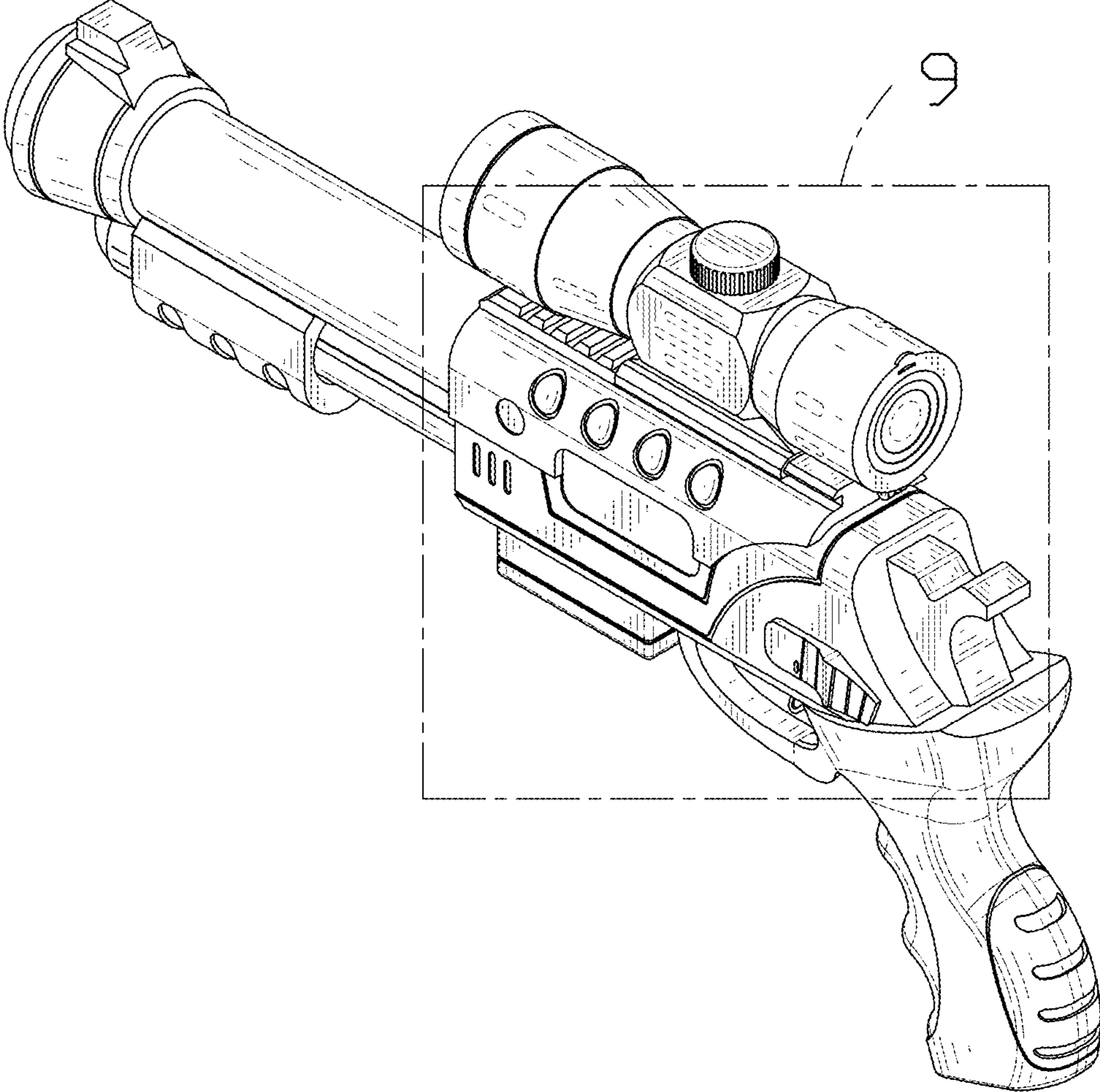


FIG. 1

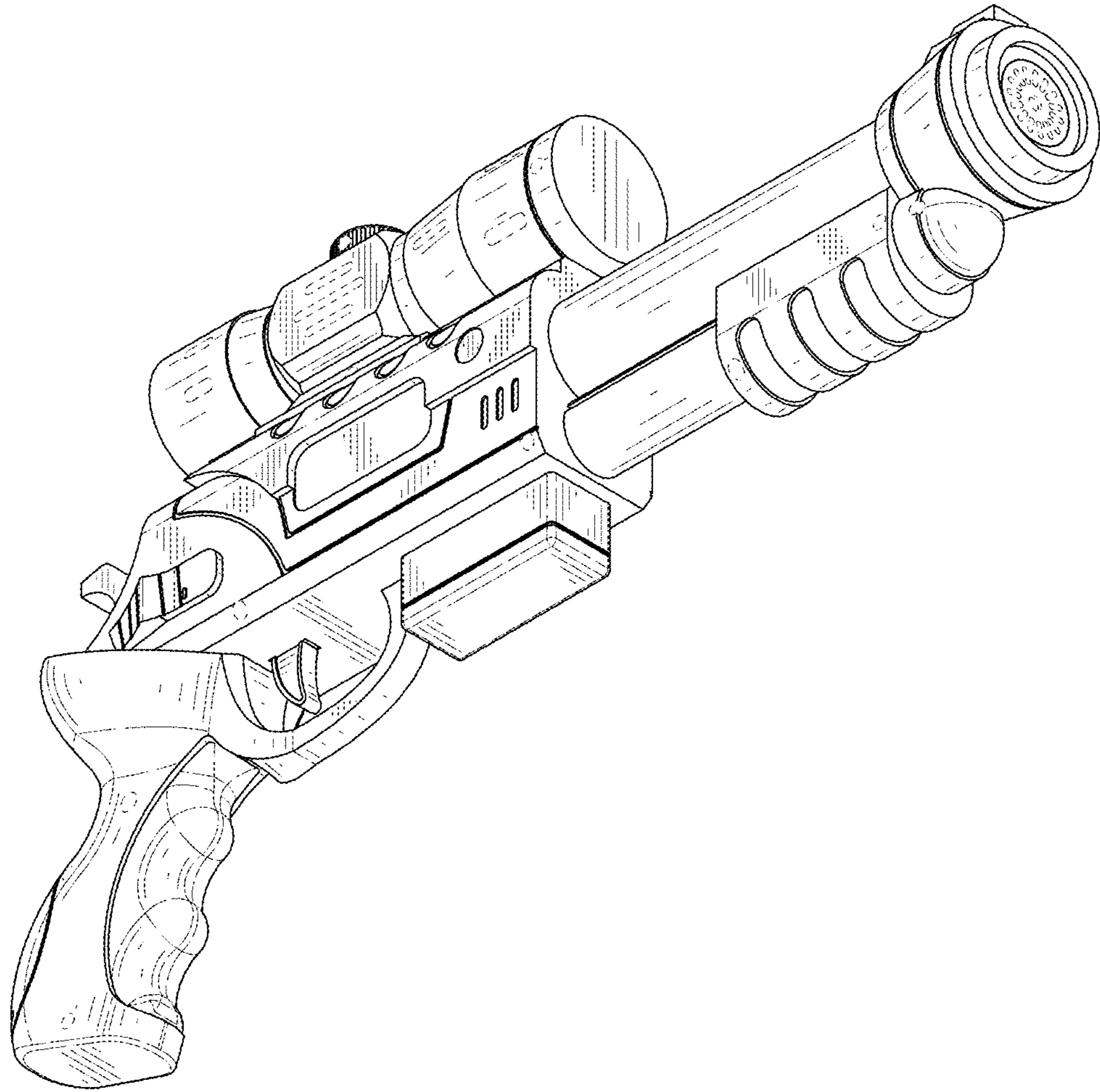


FIG. 2



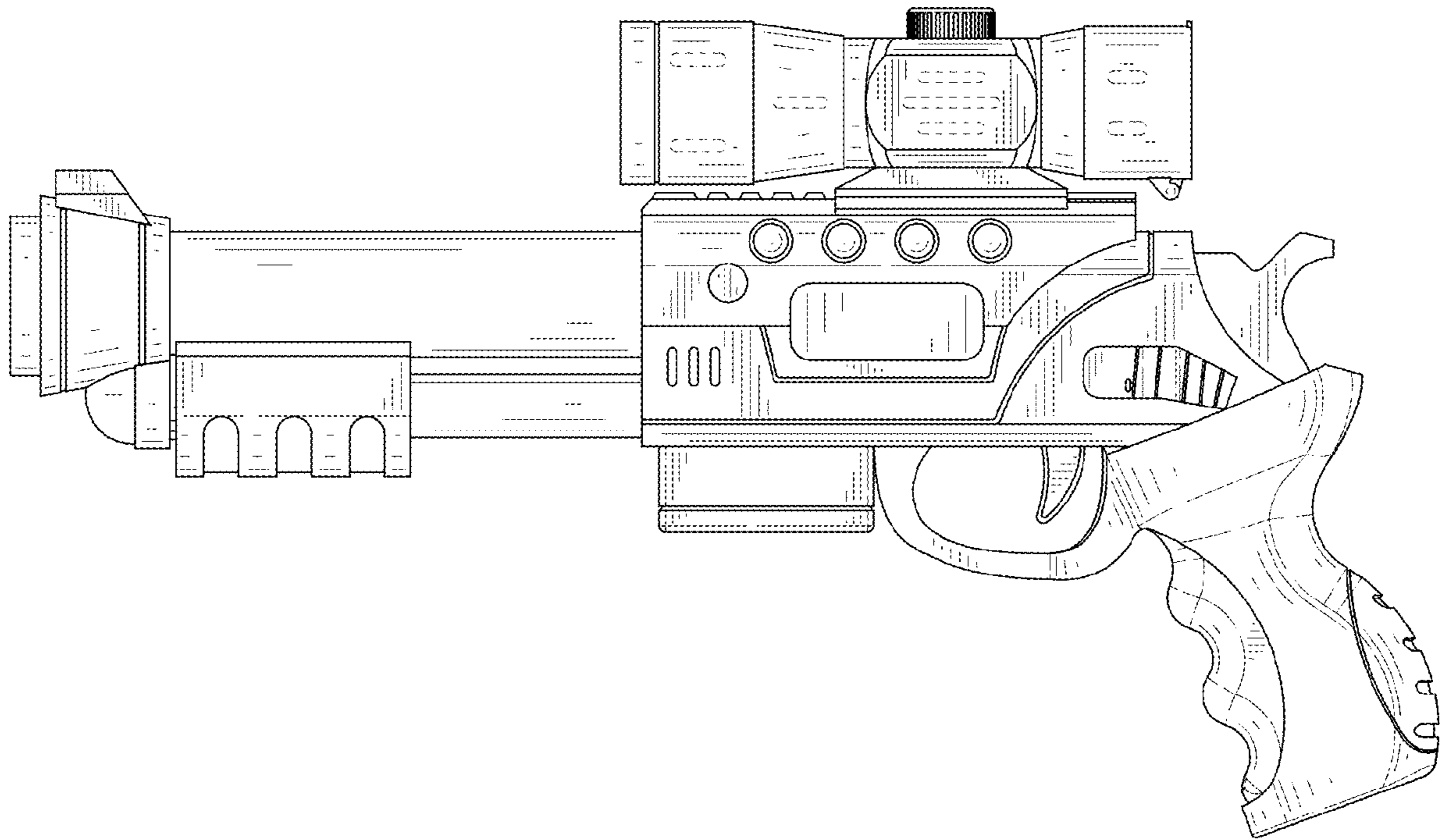


FIG. 3

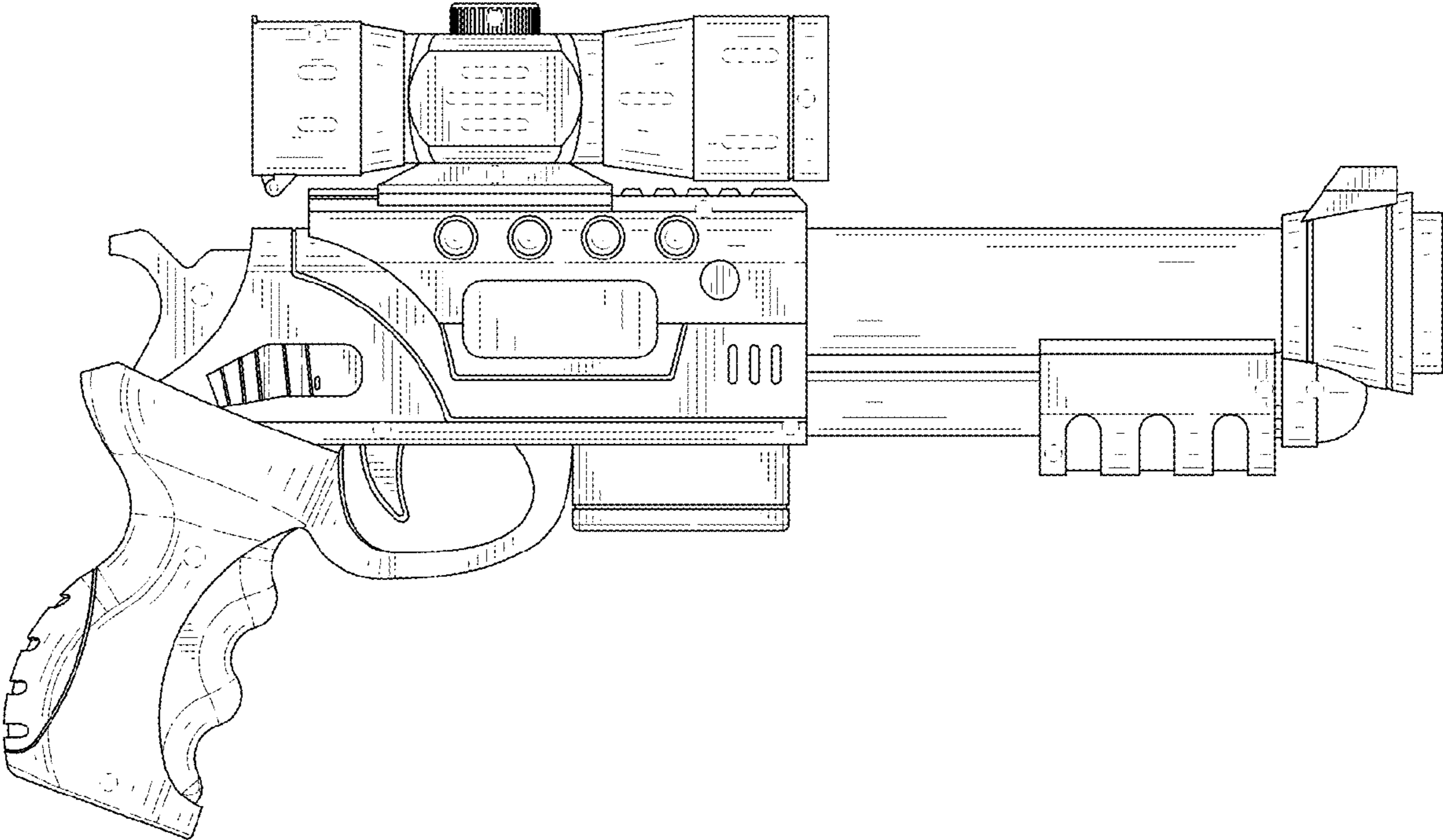


FIG. 4

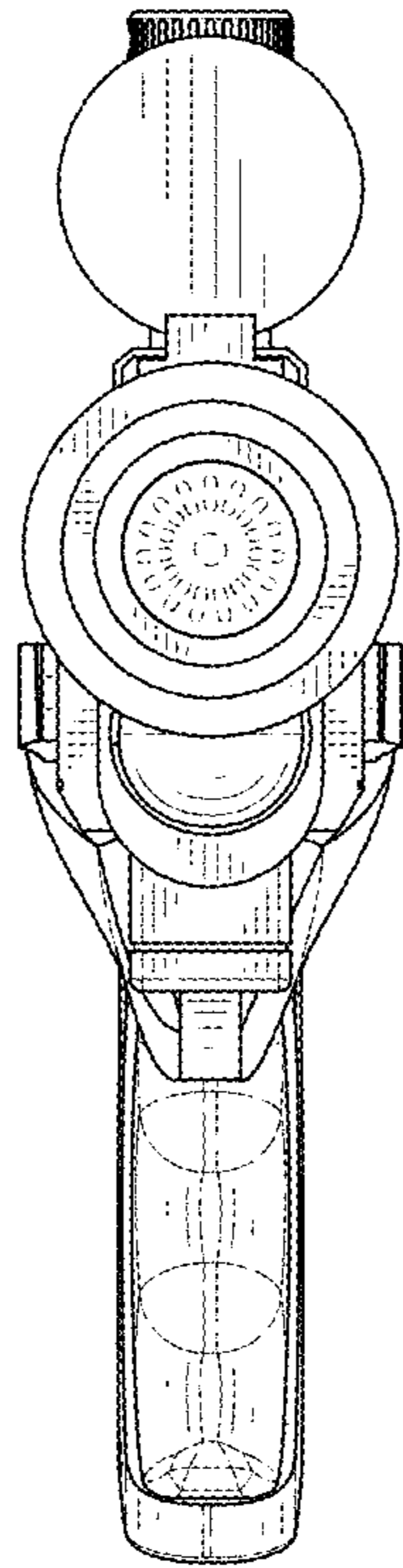


FIG. 5

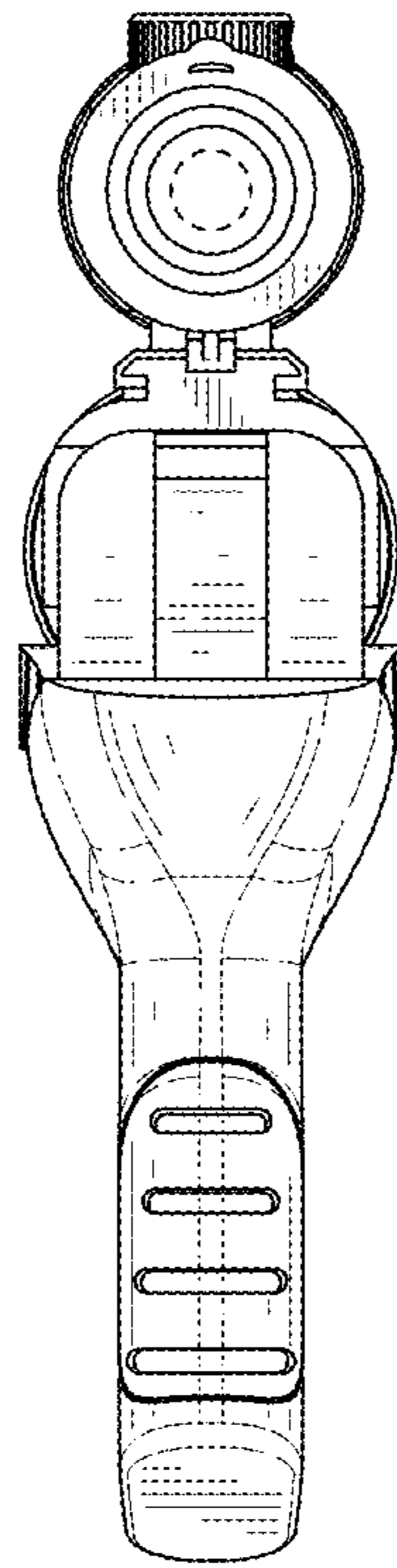


FIG. 6

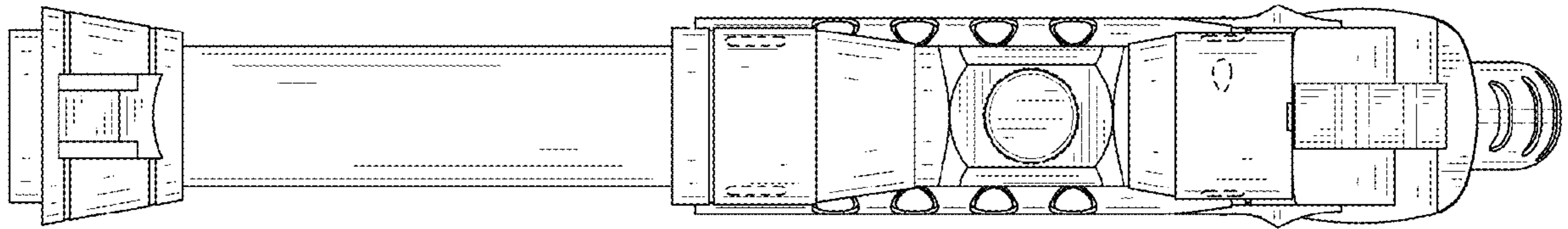


FIG. 7



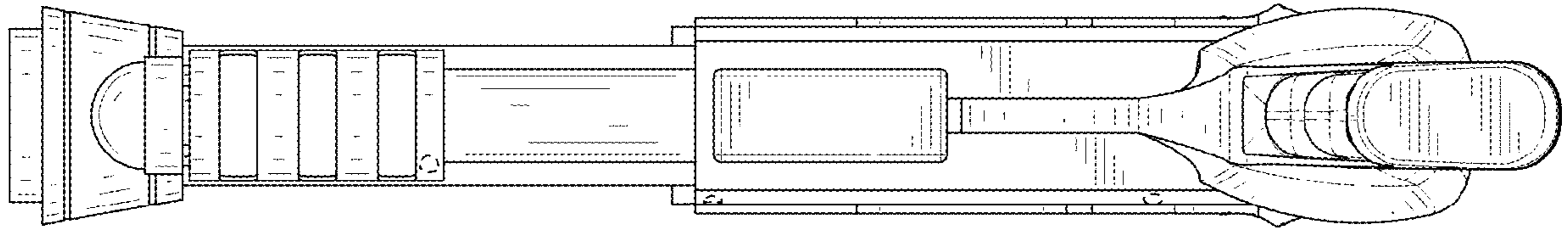


FIG. 8

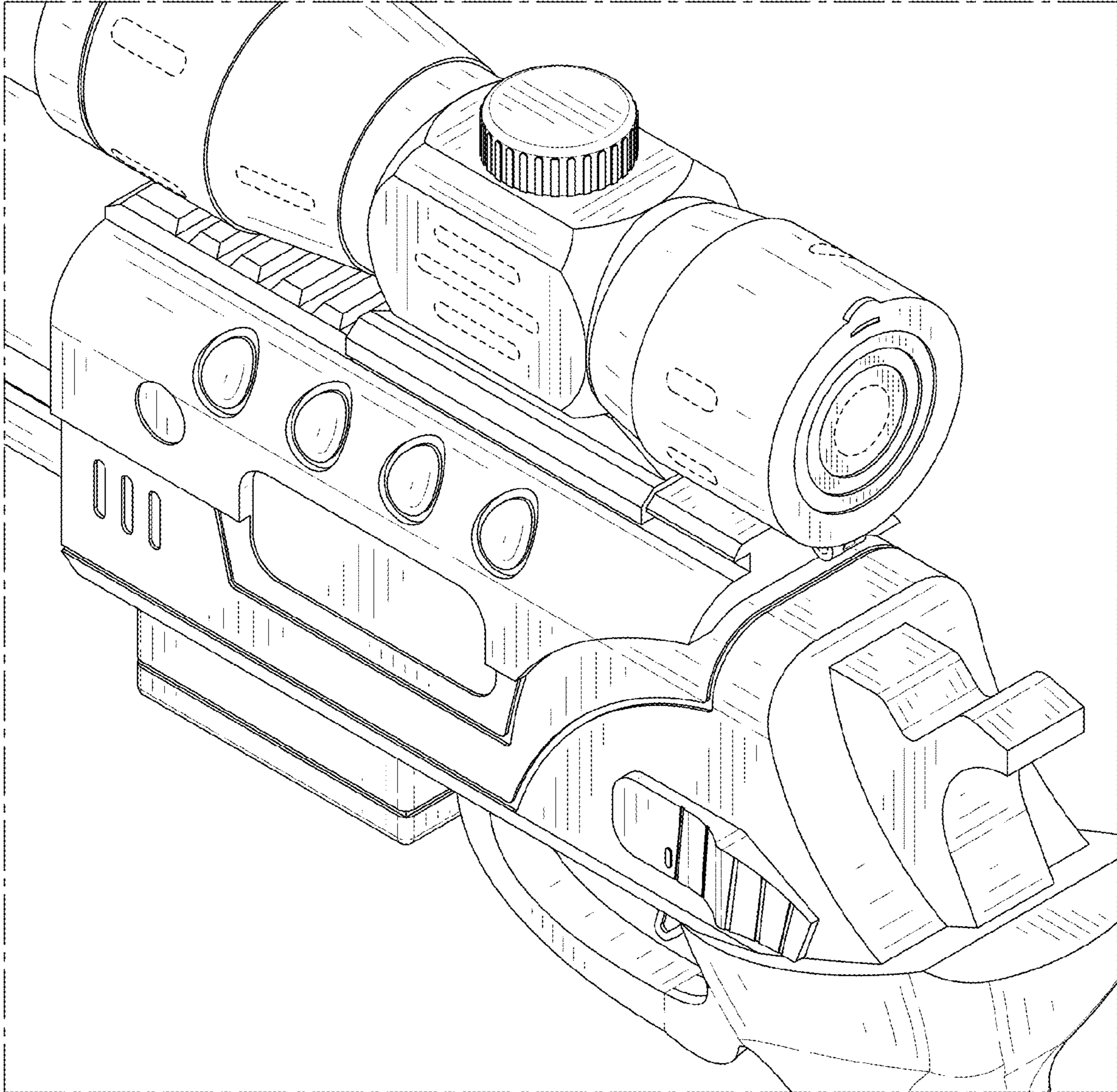


FIG. 9