



US00D928900S

(12) **United States Design Patent** (10) **Patent No.:** **US D928,900 S**
Castle et al. (45) **Date of Patent:** **** Aug. 24, 2021**

(54) **PLAY TENT SOUND BUTTON**
(71) Applicant: **A&J Castle Enterprise Pty Ltd.,**
Sydney (AU)
(72) Inventors: **Jessica Castle, Sydney (AU); Andrew**
Castle, Sydney (AU)
(73) Assignee: **A&J CASTLE ENTERPRISE PTY**
LTD., Sydney (AU)

D374,259 S 10/1996 Hsu
5,598,926 A 2/1997 Vogt
D382,307 S * 8/1997 Sharpe, III D14/188
D394,468 S * 5/1998 Leadbetter D21/496
D446,554 S 8/2001 Gautieri et al.
6,319,087 B1 11/2001 Ferrigno
6,560,095 B1 * 5/2003 Zheng A63B 9/00
135/91
6,695,187 B1 2/2004 Dunkle
6,722,084 B2 4/2004 Berman
D495,756 S 11/2004 Carley et al.
D507,360 S * 7/2005 Yuen D26/26

(**) Term: **15 Years**

(21) Appl. No.: **29/753,907**
(22) Filed: **Oct. 3, 2020**
(51) **LOC (13) Cl.** **21-04**
(52) **U.S. Cl.**
USPC **D21/839; D21/405; D14/207**
(58) **Field of Classification Search**
USPC **D21/405, 471-473, 496, 839; D14/207,**
D14/209.1, 220, 224
CPC **A63H 5/00; A63H 33/008; E04H 15/32**
See application file for complete search history.

(Continued)

FOREIGN PATENT DOCUMENTS

CA 2517414 A1 5/2006
FR 2849752 A3 7/2004

OTHER PUBLICATIONS

Twinkle Play Tents, <https://twinkleplaytents.com/>, retrieved Aug. 31, 2020.

Primary Examiner — Cynthia M. Chin
(74) *Attorney, Agent, or Firm* — The Roy Gross Law Firm, LLC; Roy Gross

(56) **References Cited**
U.S. PATENT DOCUMENTS

D183,027 S * 6/1958 Southwick D21/471
D205,185 S 7/1966 Ryan
D206,487 S 12/1966 Ryan
4,031,655 A 6/1977 Ponciano et al.
4,046,295 A 9/1977 Eichler
4,322,585 A 3/1982 Liautaud
4,556,391 A 12/1985 Tardivel et al.
4,589,134 A 5/1986 Waldron
4,620,653 A 11/1986 Farrell
4,764,962 A 8/1988 Ekman et al.
4,775,083 A 10/1988 Burger et al.
4,858,798 A 8/1989 Siddoway et al.
5,121,865 A 6/1992 Howard
5,525,088 A 6/1996 Mayne
5,544,870 A 8/1996 Kelley et al.

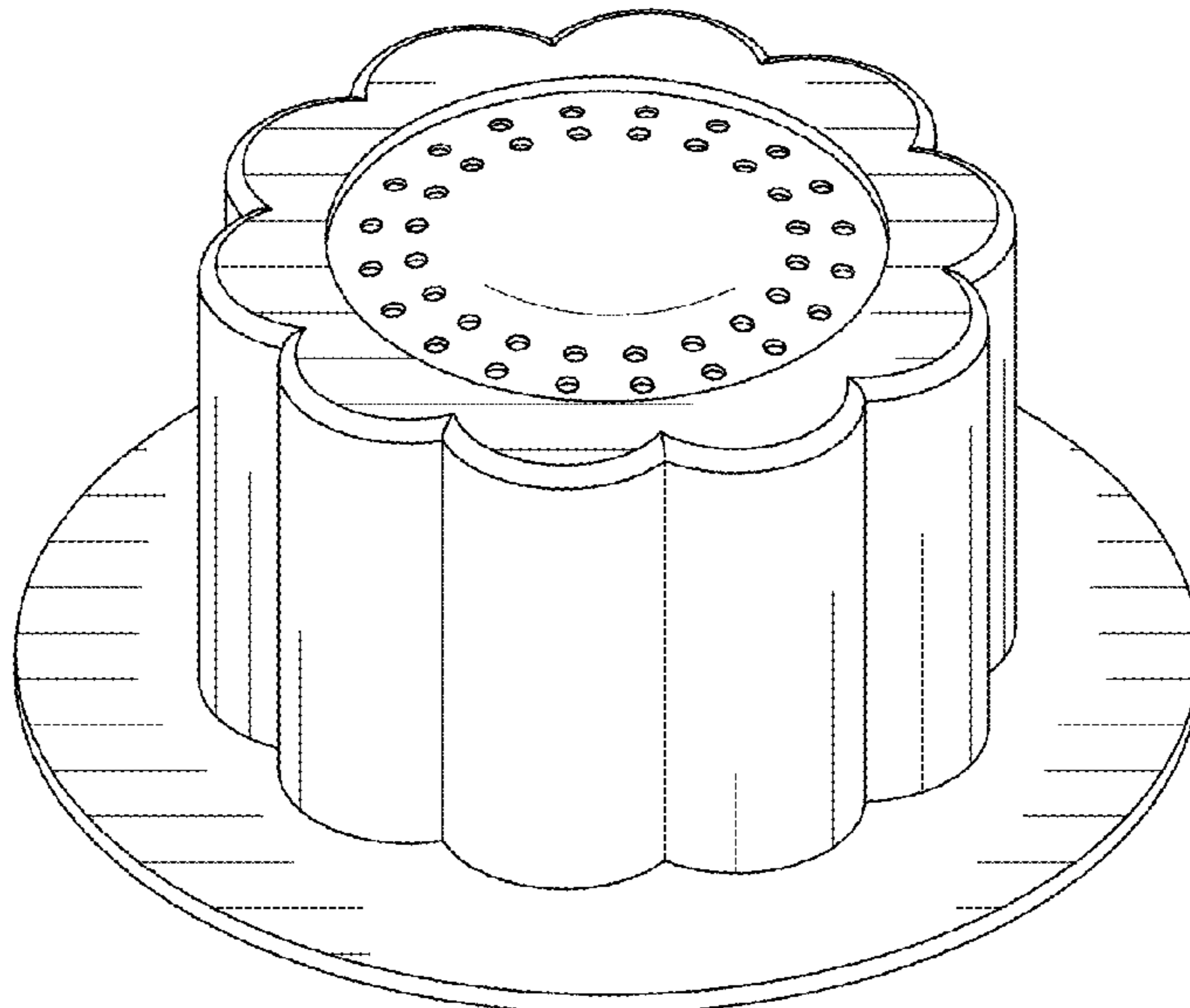
(57) **CLAIM**

The ornamental design for a play tent sound button, as shown and described.

DESCRIPTION

FIG. 1 is a perspective view of a sound button in accordance with the new design;
FIG. 2 is a right/left side view thereof;
FIG. 3 is a front/back view thereof;
FIG. 4 is a top view thereof; and,
FIG. 5 is a bottom view thereof.
The broken lines are for the purpose of illustrating portions of the article that form no part of the claimed design.

1 Claim, 2 Drawing Sheets



(56)

References Cited

U.S. PATENT DOCUMENTS

D508,092 S	8/2005	Williams-Nicholas	2001/0038522 A1	11/2001	Zheng
7,031,147 B2	4/2006	Zheng	2002/0162584 A1	11/2002	Berman
D525,318 S	7/2006	Campbell et al.	2003/0019766 A1	1/2003	Jung
D527,055 S	8/2006	Hester	2004/0150993 A1*	8/2004	McElhaney A63H 33/22 362/249.12
D579,986 S	11/2008	Walsh	2006/0063466 A1*	3/2006	Conarro A63H 5/00 446/26
D604,369 S	11/2009	Walsh	2006/0194506 A1*	8/2006	Sacchetti A63H 33/006 446/397
D606,595 S	12/2009	Levy et al.	2008/0129530 A1*	6/2008	Lokos A63H 33/008 340/686.6
D607,517 S	1/2010	Walsh	2008/0190471 A1	8/2008	Tarter et al.
7,976,396 B2	7/2011	Boretskin	2009/0230001 A1	9/2009	Horvath
D650,514 S *	12/2011	Lin D26/118	2012/0106764 A1	5/2012	Burns
D665,153 S *	8/2012	Suiter D2/873	2012/0289123 A1	11/2012	Zheng
D712,681 S *	9/2014	Del Russo, Jr. D6/600	2013/0331153 A1	12/2013	Krimstock
D737,381 S	8/2015	Putnam et al.	2014/0174845 A1	6/2014	Slotznick
D739,948 S *	9/2015	Purfey D24/187	2016/0360899 A1	12/2016	Neveling
9,155,974 B2	10/2015	Fair et al.	2017/0042270 A1	2/2017	Chiang
9,264,791 B1	2/2016	Polivy	2017/0358289 A1	12/2017	Israel et al.
D760,308 S *	6/2016	Krishnegowda D15/139	2018/0279749 A1	10/2018	Quillmann
9,714,508 B2	7/2017	Israel et al.			
D909,707 S *	2/2021	Maldonado D1/115			

* cited by examiner

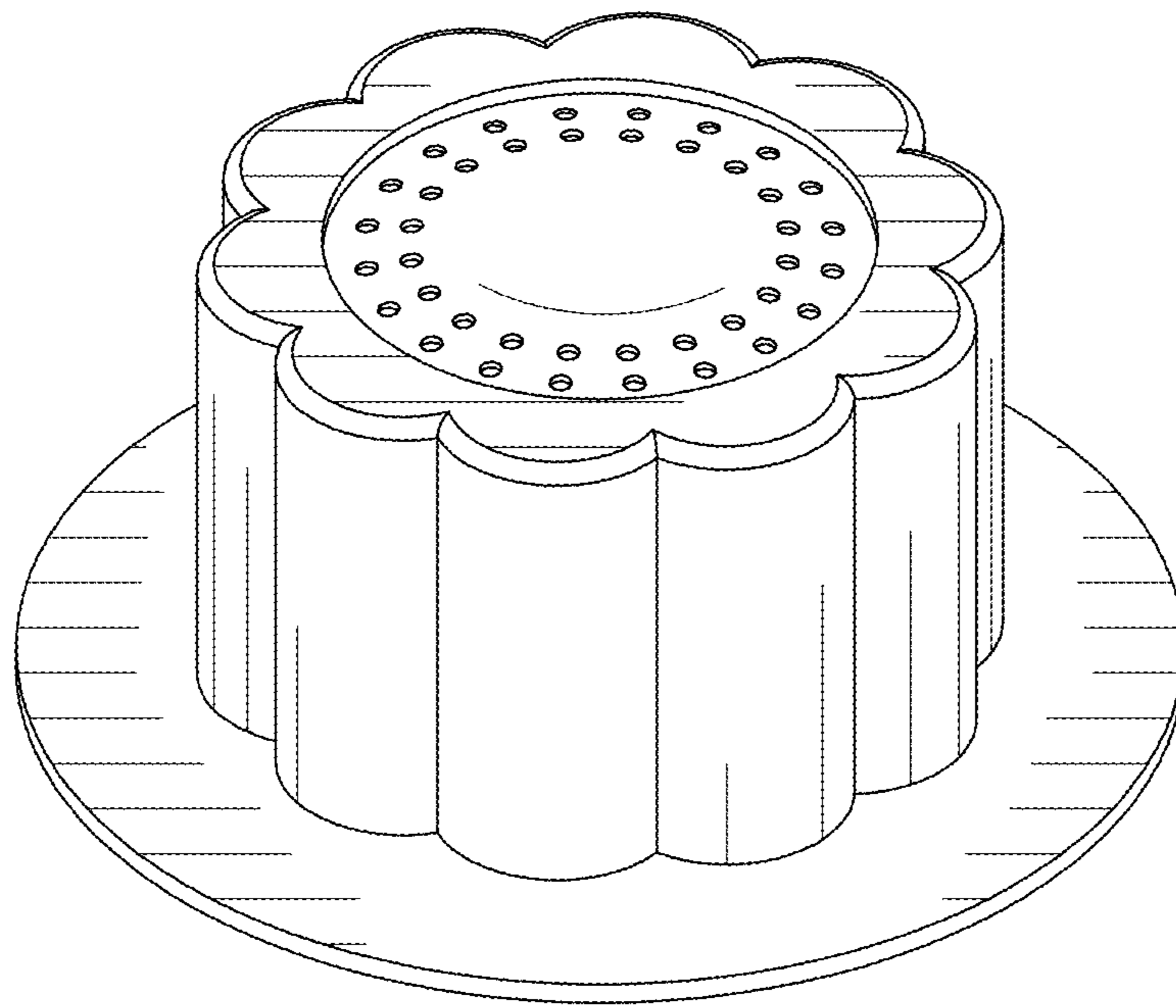


FIG.1

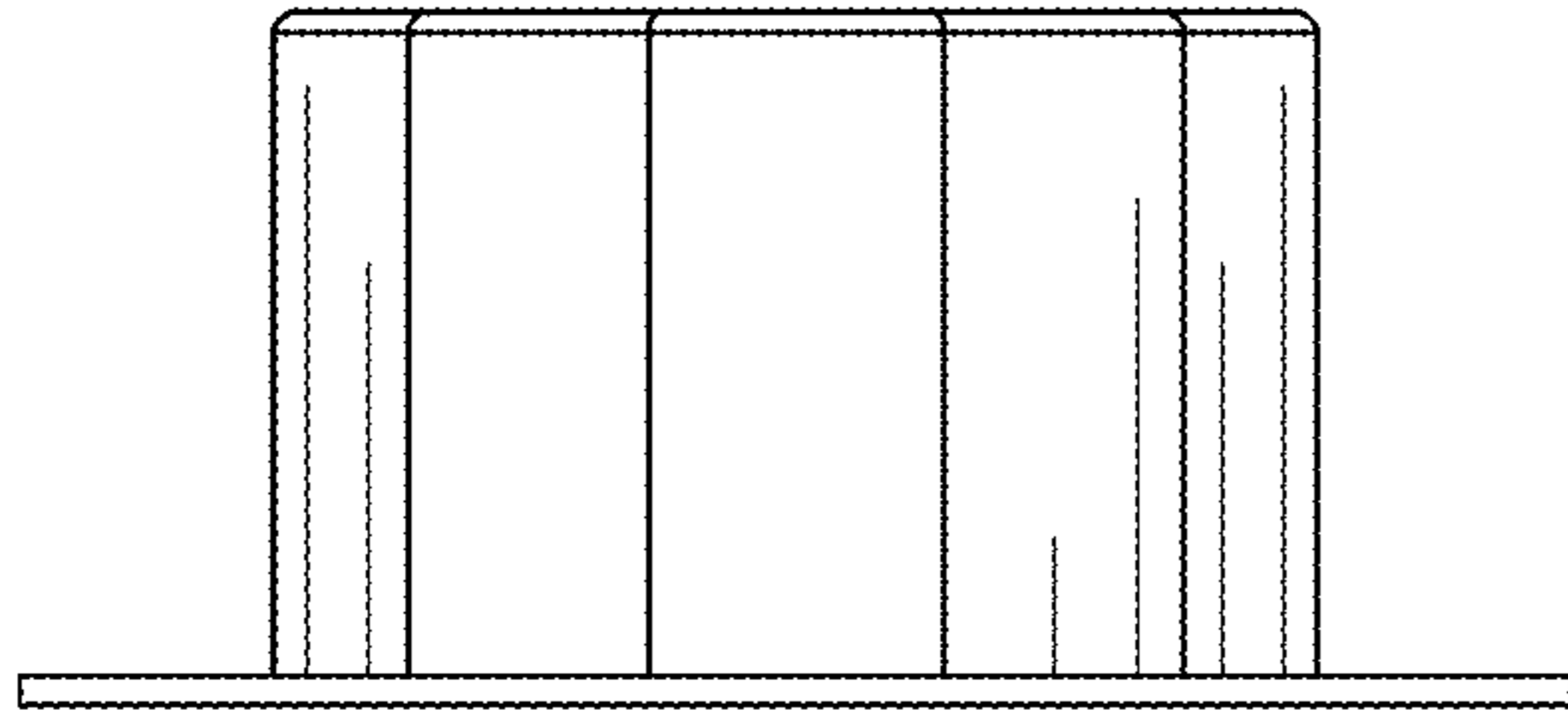


FIG. 2

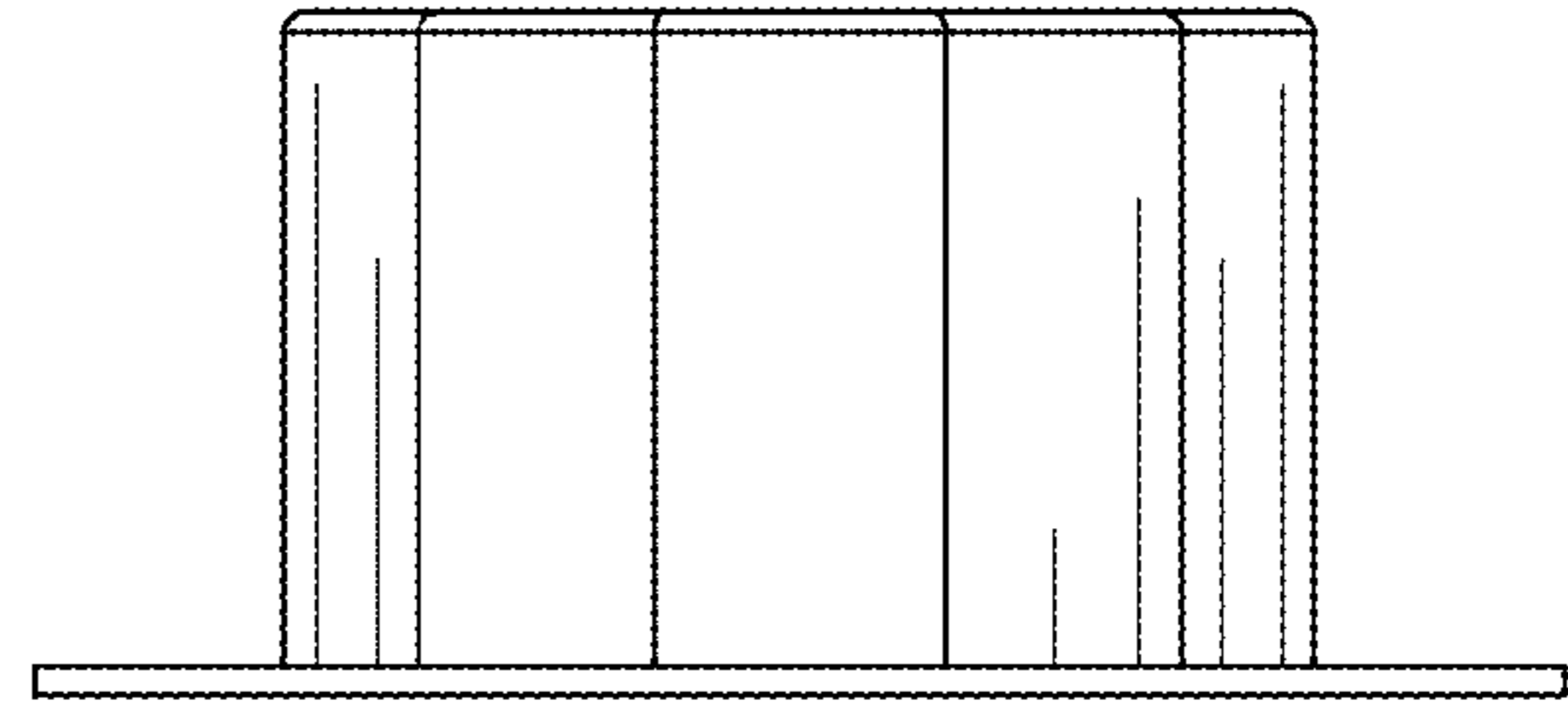


FIG. 3

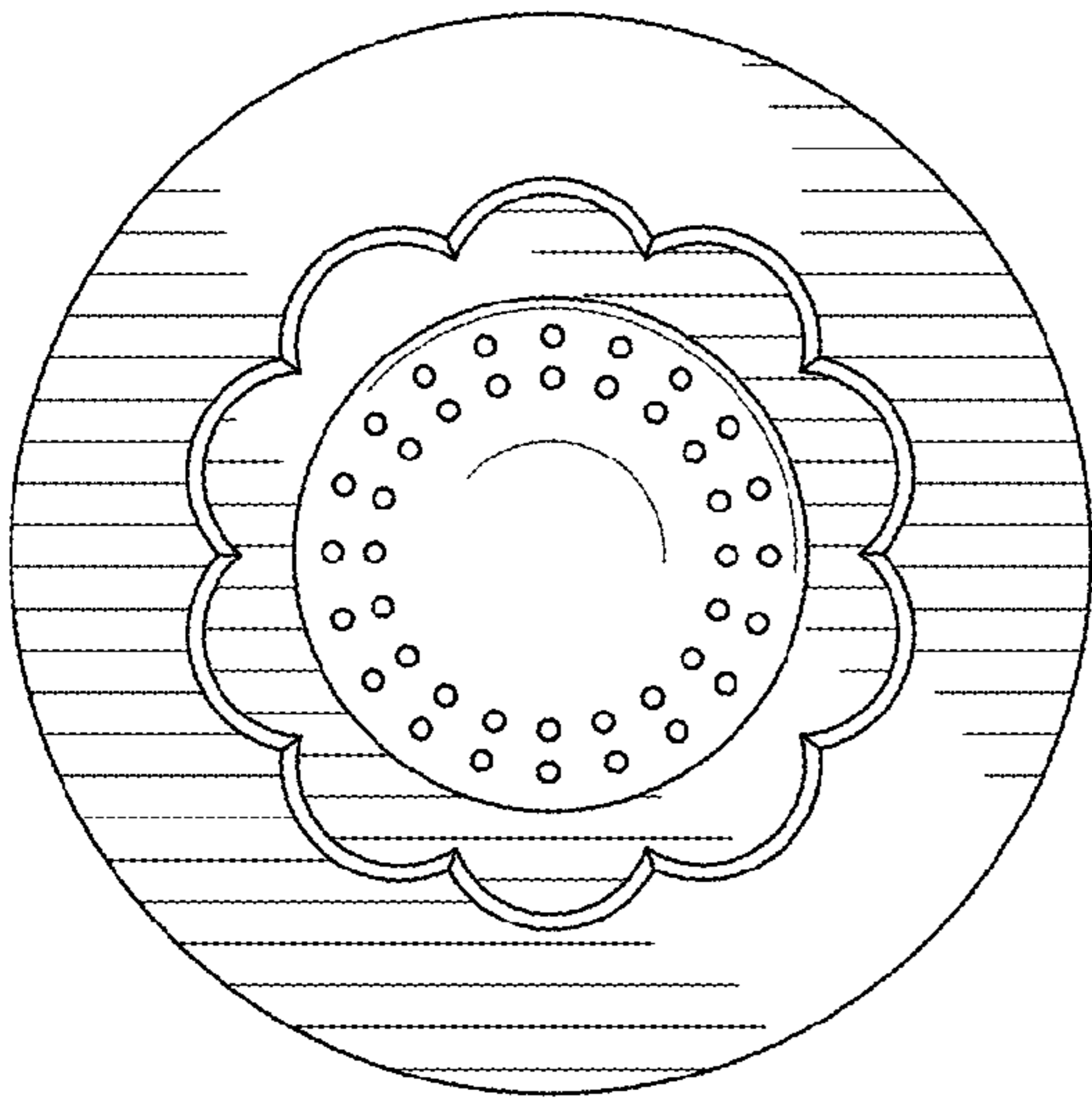


FIG. 4

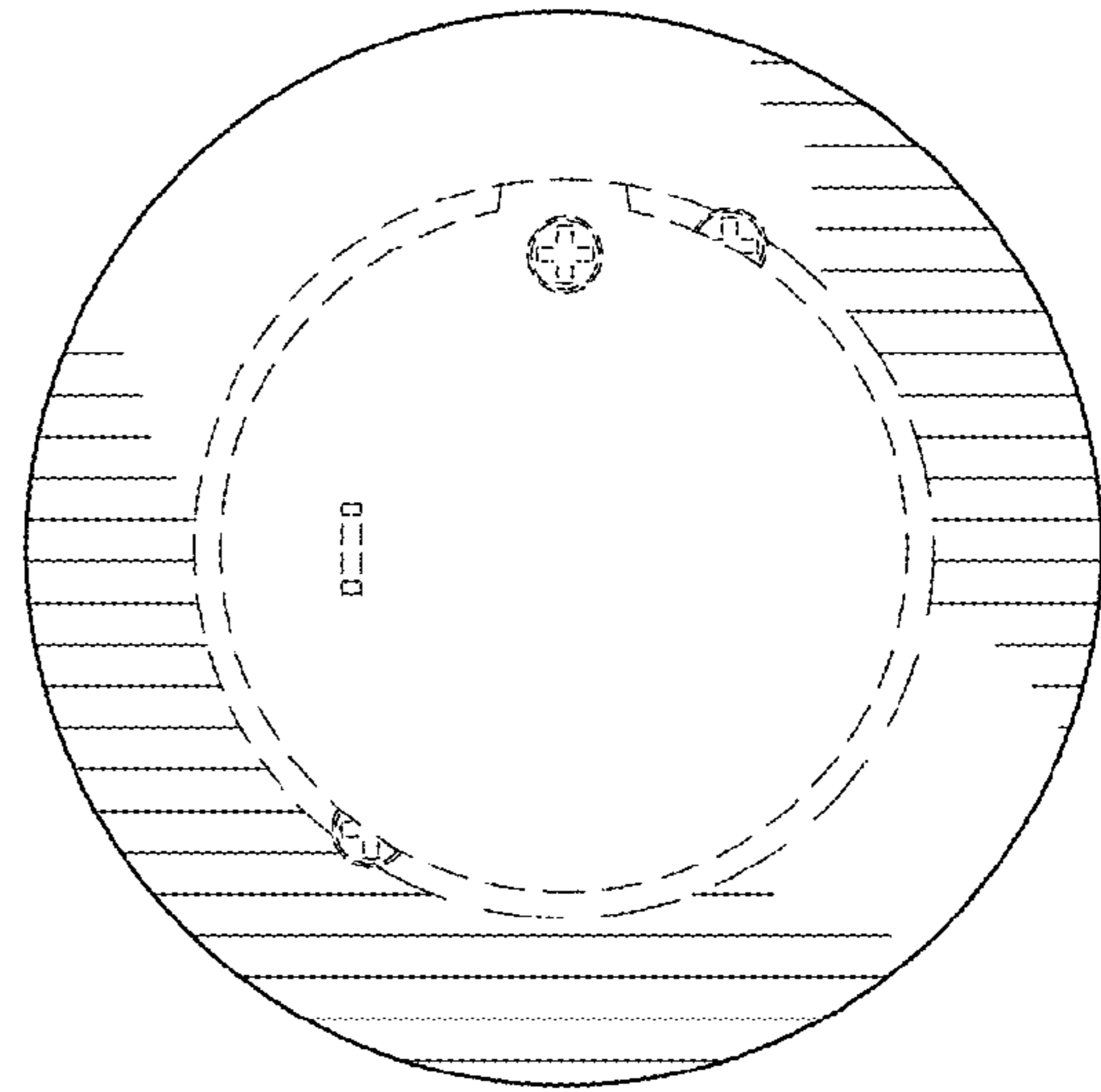


FIG. 5