



US00D928897S

(12) **United States Design Patent** (10) **Patent No.:** **US D928,897 S**
Feldman, Sr. (45) **Date of Patent:** **** Aug. 24, 2021**

(54) **RING FOR A FIGHTING SPORT**

(71) Applicant: **David Feldman, Sr.**, Springfield, PA (US)

(72) Inventor: **David Feldman, Sr.**, Springfield, PA (US)

(**) Term: **15 Years**

(21) Appl. No.: **29/640,637**

(22) Filed: **Mar. 15, 2018**

(51) **LOC (13) Cl.** **21-02**

(52) **U.S. Cl.**
USPC **D21/787**; D21/798

(58) **Field of Classification Search**
USPC D21/662, 671, 686, 706, 787, 837, 797,
D21/798, 355; D25/12; 472/93; D19/92
CPC . A63C 19/005; A63C 19/04; A63C 2019/085;
A63H 13/06; A63H 33/00; A63B 69/004;
A63B 2071/1258; A63B 2071/1283;
A63B 71/1225

See application file for complete search history.

(56) **References Cited**

U.S. PATENT DOCUMENTS

2,119,327	A *	5/1938	Gunnarson	A63C 19/005 472/93
3,876,197	A *	4/1975	Jenson	A63C 19/005 472/93
D325,479	S *	4/1992	Barfield	D21/355
D456,044	S *	4/2002	St. James	D19/92
D566,853	S *	4/2008	Norris	D25/12
D591,426	S *	4/2009	Norris	D25/12
7,731,594	B1 *	6/2010	Hansen	A63B 69/004 472/93
D697,988	S *	1/2014	Januszek	D21/686
D702,778	S *	4/2014	Seals	D21/698
D718,401	S *	11/2014	Guidici Pietro	D21/787
9,604,126	B2 *	3/2017	Kadile	A63H 3/52

(Continued)

OTHER PUBLICATIONS

Safety main concern by Wyoming news dated Apr. 10, 2018. Found online [Feb. 24, 2021] <https://www.wyomingnewsnow.tv/content/news/Safety-main-concern-at-upcoming-bare-knuckle-fighting-event-479342473.html> (Year: 2018).*

(Continued)

Primary Examiner — Ryan Harvey

(74) *Attorney, Agent, or Firm* — Paul & Paul

(57) **CLAIM**

I claim the ornamental design for a ring for a fighting sport, as shown and described.

DESCRIPTION

FIG. 1 is an isometric view of a first embodiment of a ring for a fighting sport, embodying my new design;

FIG. 2 is the left elevational view thereof, the right elevational view thereof being identical to the left elevational view thereof;

FIG. 3 is the front elevational view thereof, the rear elevational view thereof being identical to the front elevational view thereof;

FIG. 4 is a top plan view thereof, the bottom plan view thereof does not form any part of the claimed design;

FIG. 5 is an isometric view of a second embodiment of a ring for a fighting sport embodying my new design;

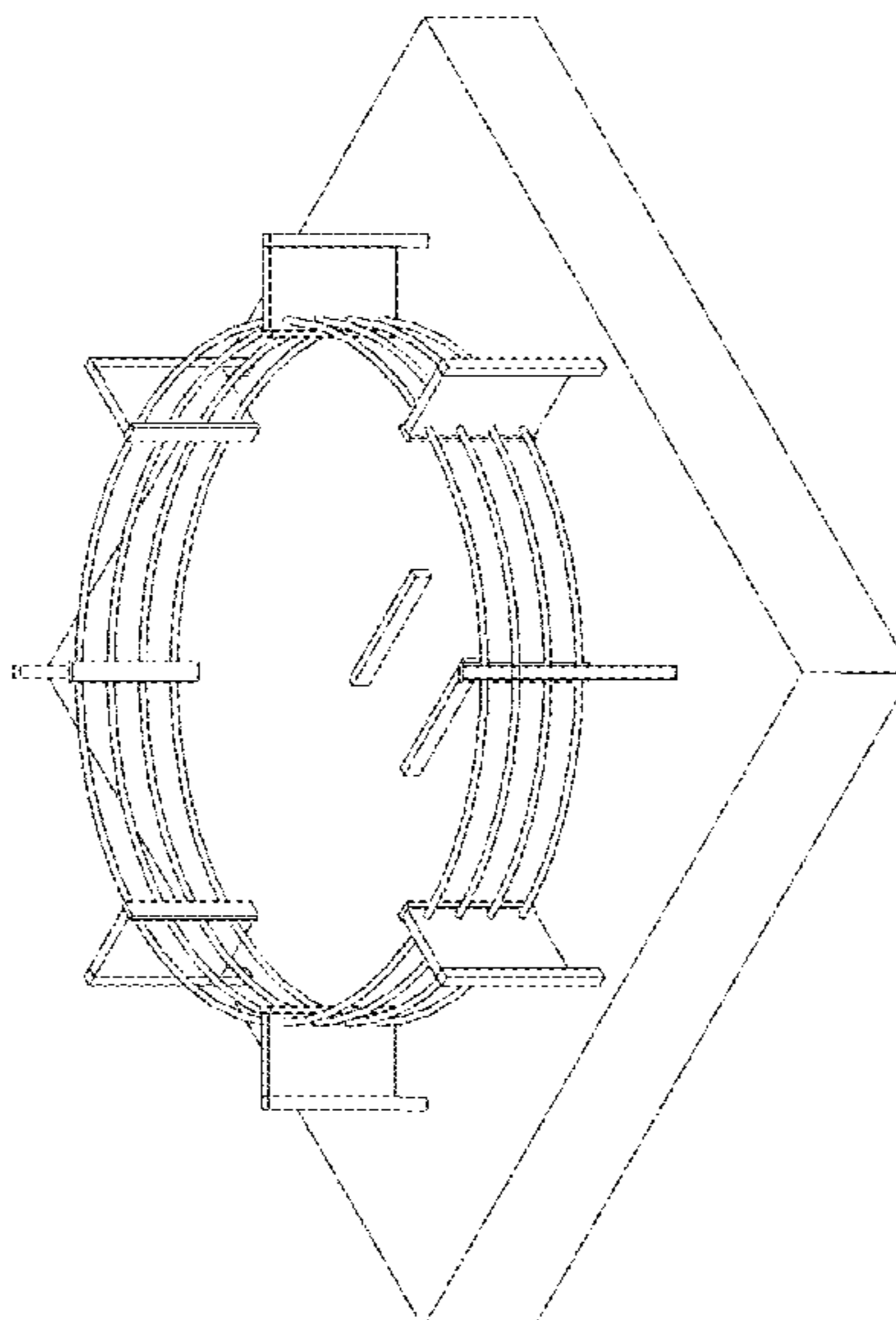
FIG. 6 is the left elevational view thereof, the right elevational view thereof being identical to the left elevational view thereof;

FIG. 7 is the front elevational view thereof, the rear elevational view thereof being identical to the front elevational view thereof; and,

FIG. 8 is a top plan view thereof; the bottom plan view thereof does not form any part of the claimed design.

The broken lines in the figure drawings represent unclaimed environment only and form no part of the claimed design.

1 Claim, 8 Drawing Sheets



(56)

References Cited

U.S. PATENT DOCUMENTS

D793,496 S * 8/2017 Maurizot D21/686
D903,801 S * 12/2020 Brown Ton D21/798
2012/0316002 A1* 12/2012 Antuna A63C 19/005
472/93
2013/0017895 A1* 1/2013 Mechling A41D 13/06
472/93
2017/0134712 A1* 5/2017 Remer H04N 13/156
2017/0182399 A1* 6/2017 Sakakibara F21S 10/023
2018/0001125 A1* 1/2018 Adams A63B 5/02
2018/0126251 A1* 5/2018 Gurgel A63B 71/02
2018/0256931 A1* 9/2018 Chen A63B 71/023
2021/0016154 A1* 1/2021 Feldman A63C 19/065

OTHER PUBLICATIONS

About by Bare Knuckle dated no date given. Found online [Feb. 24, 2021] <https://www.bareknuckle.tv/about>.*

* cited by examiner

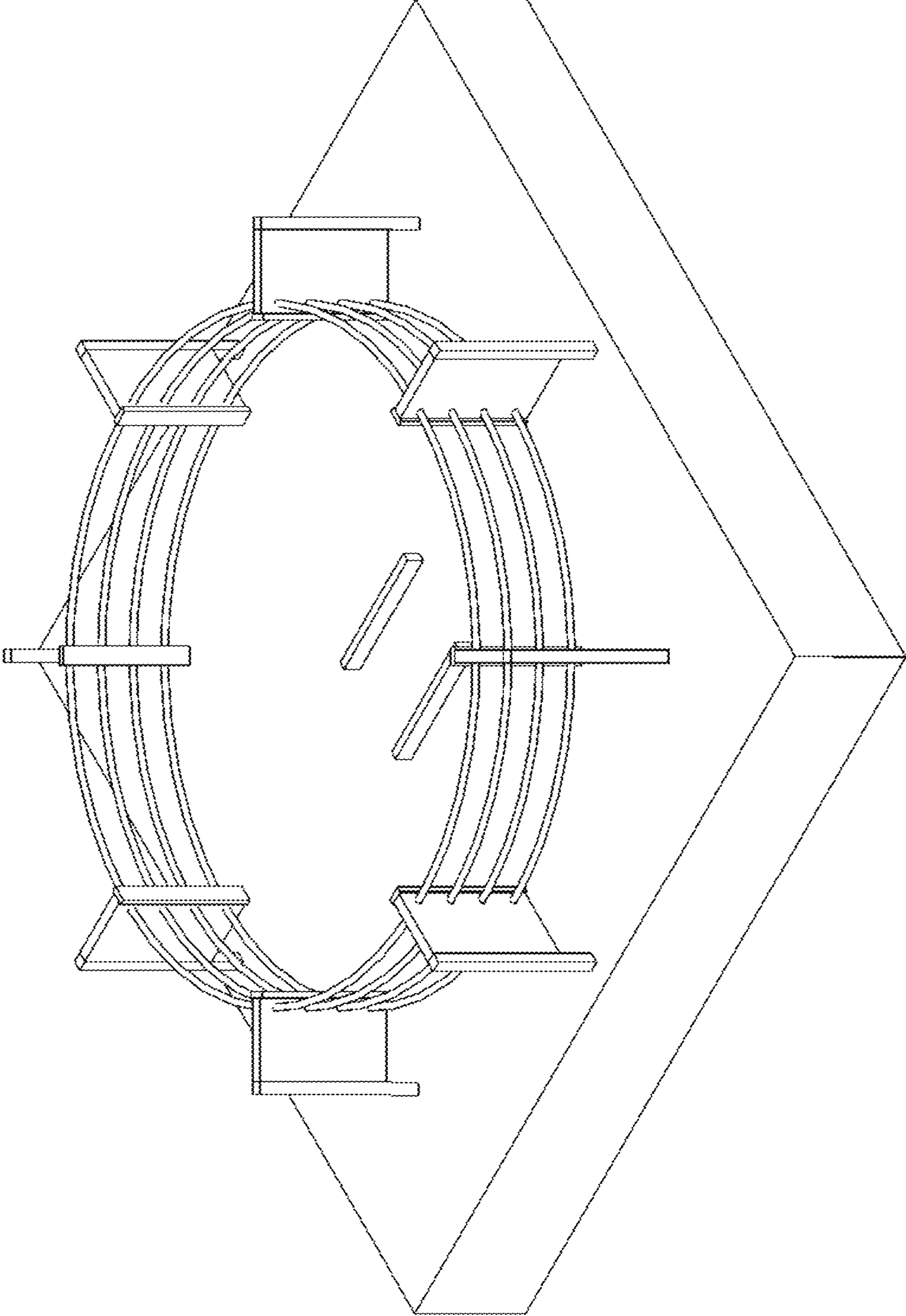


FIG. 1

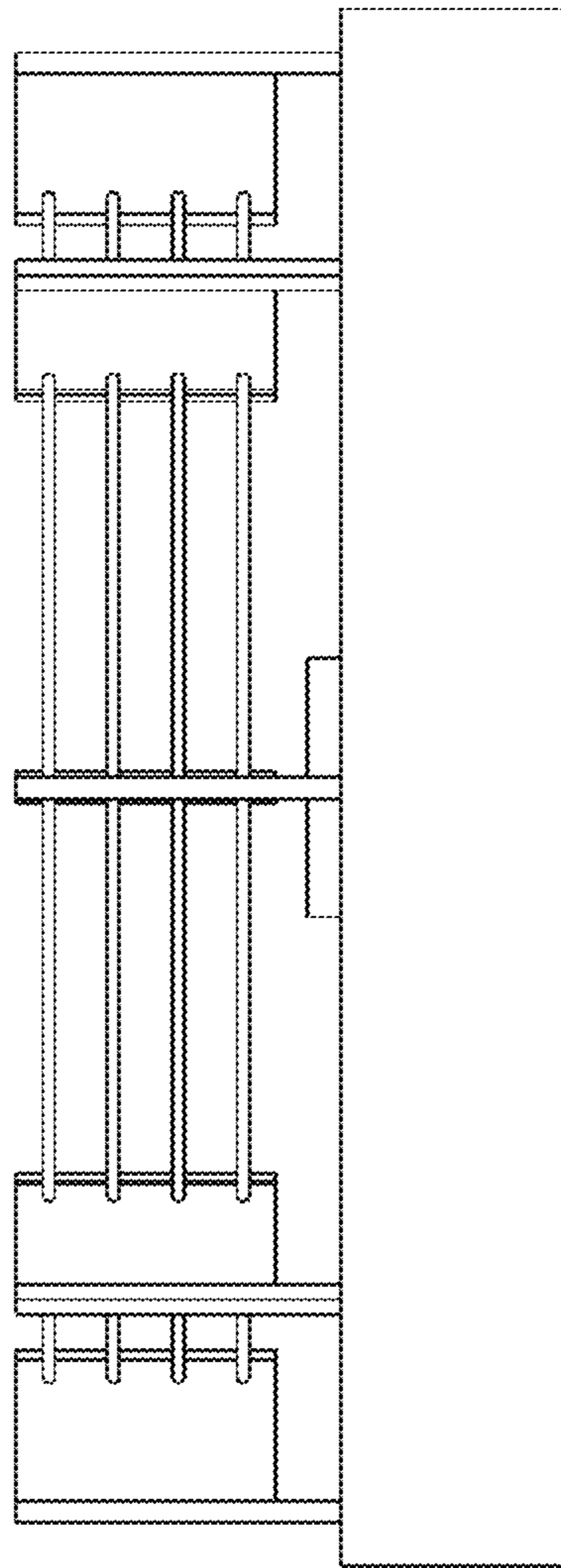


FIG. 2

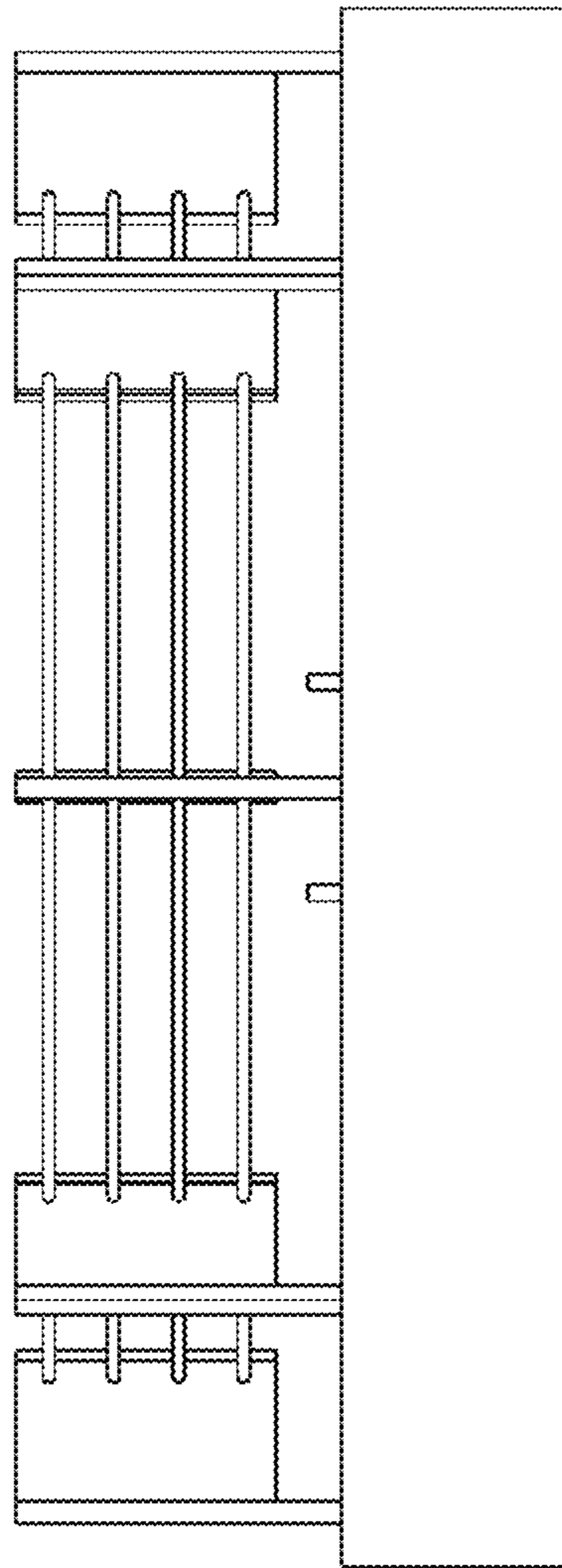


FIG. 3

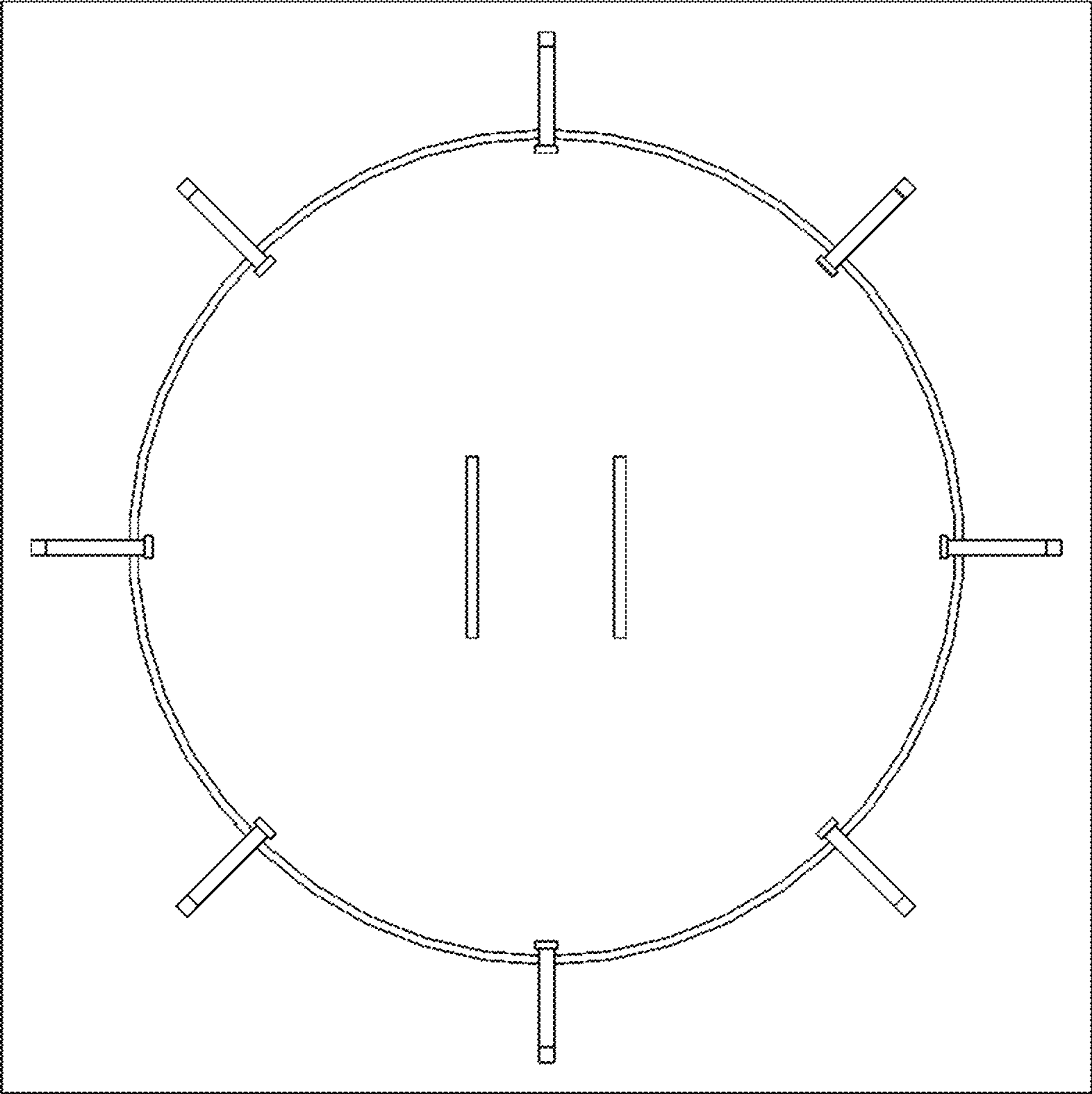


FIG. 4

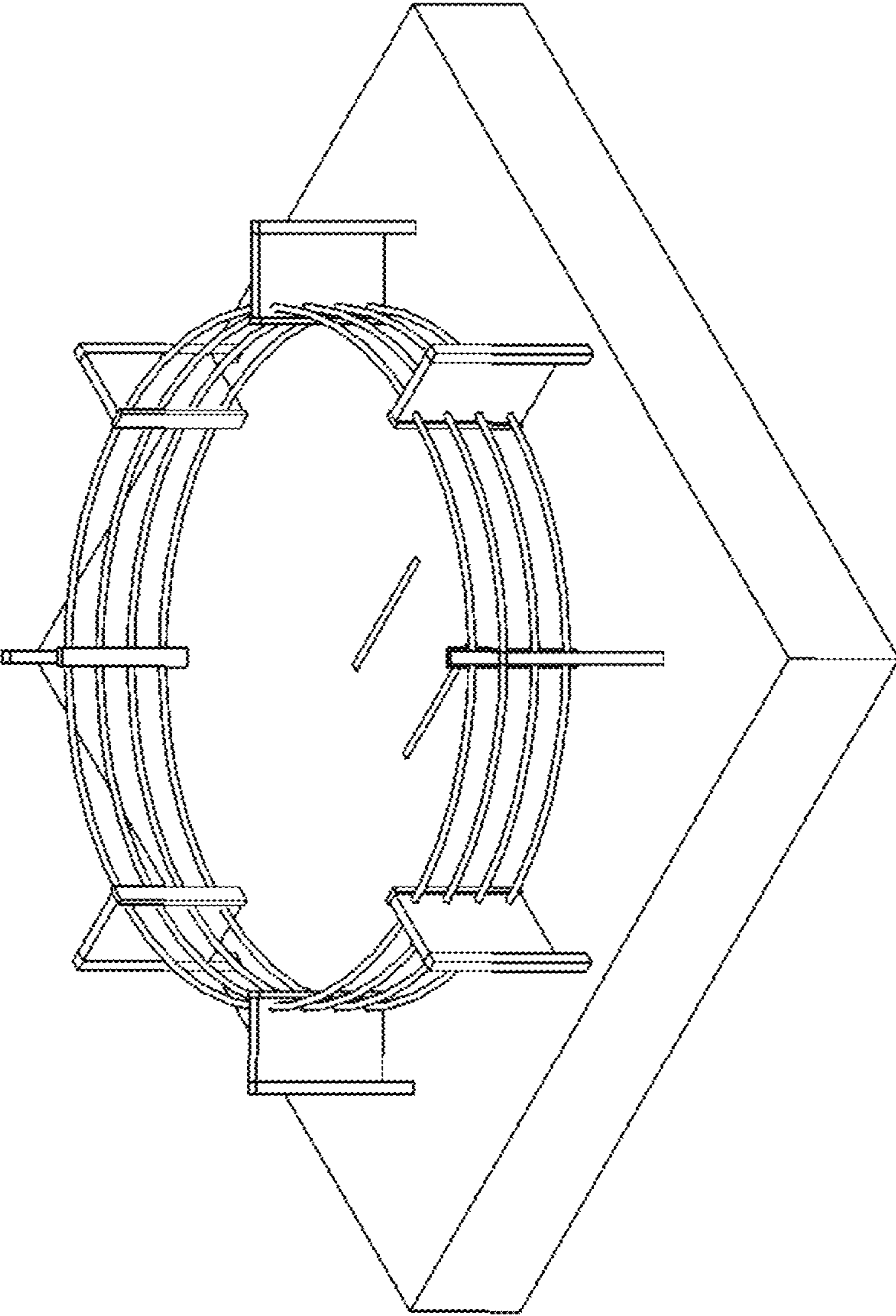


FIG. 5

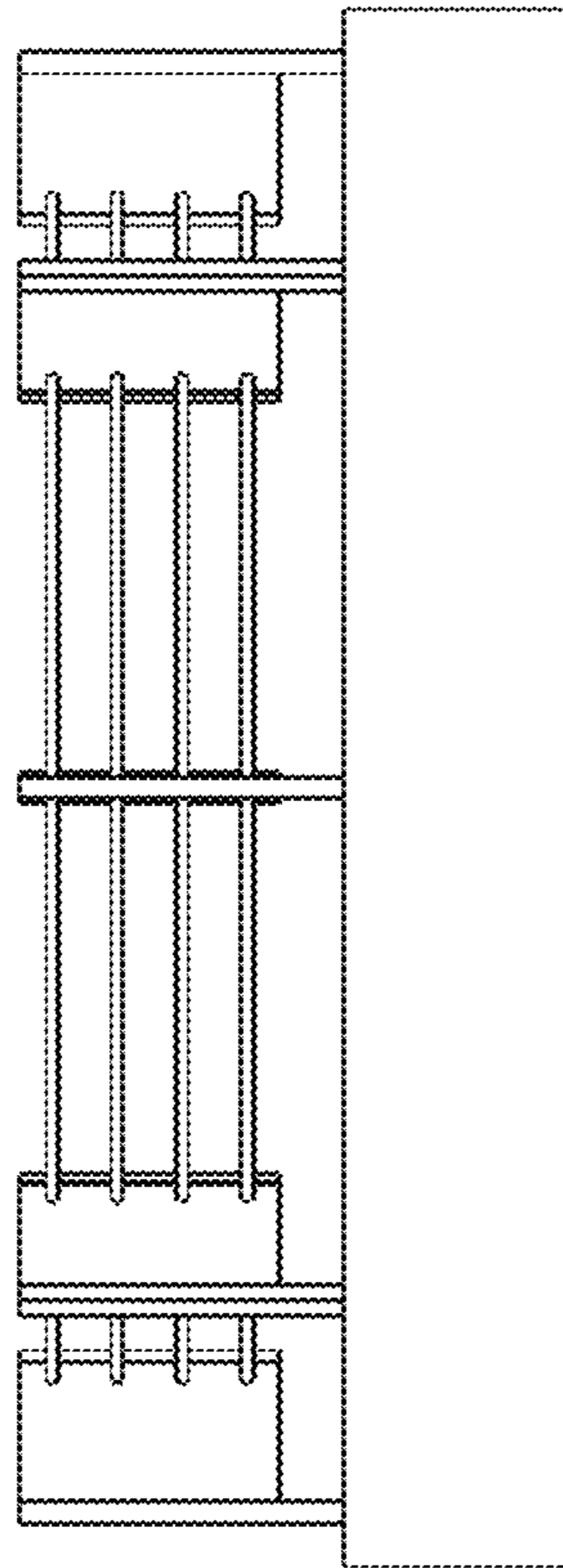


FIG. 6

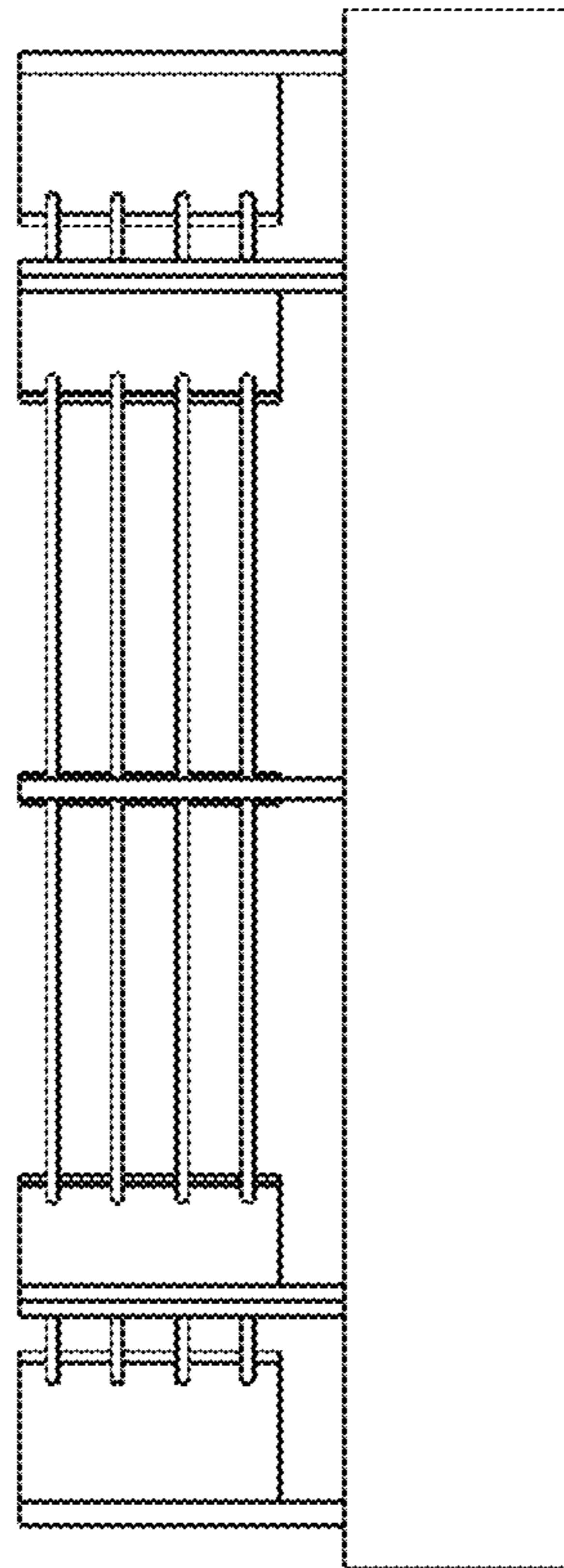


FIG. 7

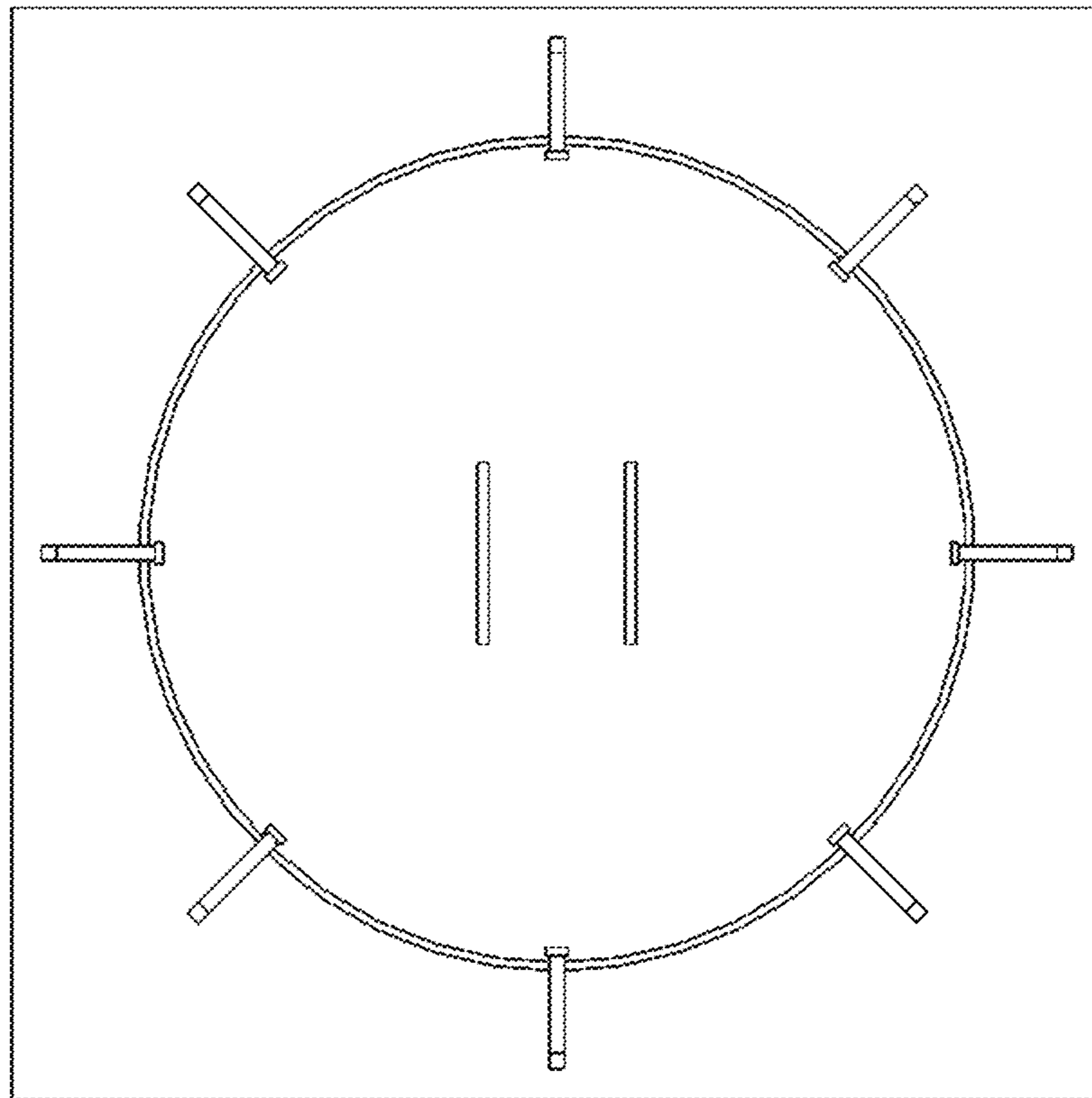


FIG. 8