



US00D928892S

(12) **United States Design Patent**  
**Palumbo**

(10) **Patent No.:** **US D928,892 S**

(45) **Date of Patent:** **\*\* Aug. 24, 2021**

(54) **INFLATABLE TRAINING DEVICE**

(71) Applicant: **TEAM USA PRODUCTIONS LLC**,  
Phoenixville, PA (US)

(72) Inventor: **Richard A. Palumbo**, Phoenixville, PA  
(US)

(73) Assignee: **Team USA Productions, LLC**,  
Phoenixville, PA (US)

(\*\*) Term: **15 Years**

(21) Appl. No.: **29/662,720**

(22) Filed: **Sep. 7, 2018**

(51) **LOC (13) Cl.** ..... **21-02**

(52) **U.S. Cl.**  
USPC ..... **D21/686**

(58) **Field of Classification Search**  
USPC ..... 446/220; 482/23, 27, 77; D21/797, 834,  
D21/835, 836, 839; D30/119, 160  
CPC ..... A63B 37/004; A63B 37/06; A63B 37/10;  
A63B 41/02; A63B 71/0054  
See application file for complete search history.

(56) **References Cited**

U.S. PATENT DOCUMENTS

5,678,357	A *	10/1997	Rubio	.....	E04H 15/20 446/220
D478,955	S *	8/2003	Chen	.....	D21/797
7,104,864	B1 *	9/2006	Liou	.....	A63H 33/10 446/221
D566,131	S *	4/2008	Detering	.....	D15/9
D639,886	S *	6/2011	Cirjak	.....	D21/835
D639,887	S *	6/2011	Cirjak	.....	D21/835
D661,762	S *	6/2012	Galinski	.....	D21/826
D740,902	S *	10/2015	Albert	.....	D21/797
D744,053	S *	11/2015	Cirjak	.....	D21/835
D746,395	S *	12/2015	Rademacher	.....	D21/835

D799,625	S *	10/2017	Chen	.....	D21/797
D804,598	S *	12/2017	Albert	.....	D21/797
D825,702	S *	8/2018	Glick	.....	D21/803
D834,672	S *	11/2018	Hachigian	.....	D21/803
D860,367	S *	9/2019	Barrett	.....	D21/809
D862,628	S *	10/2019	Wang	.....	D21/818
D865,300	S *	10/2019	Fallgatter	.....	D29/124
2009/0181827	A1 *	7/2009	Hylbert	.....	A63B 5/11 482/29
2009/0264042	A1 *	10/2009	Chen	.....	A63G 31/12 446/221

\* cited by examiner

*Primary Examiner* — Cynthia Ramirez

*Assistant Examiner* — Michael A Maharajh

(74) *Attorney, Agent, or Firm* — Flaster Greenberg, P.C.

(57) **CLAIM**

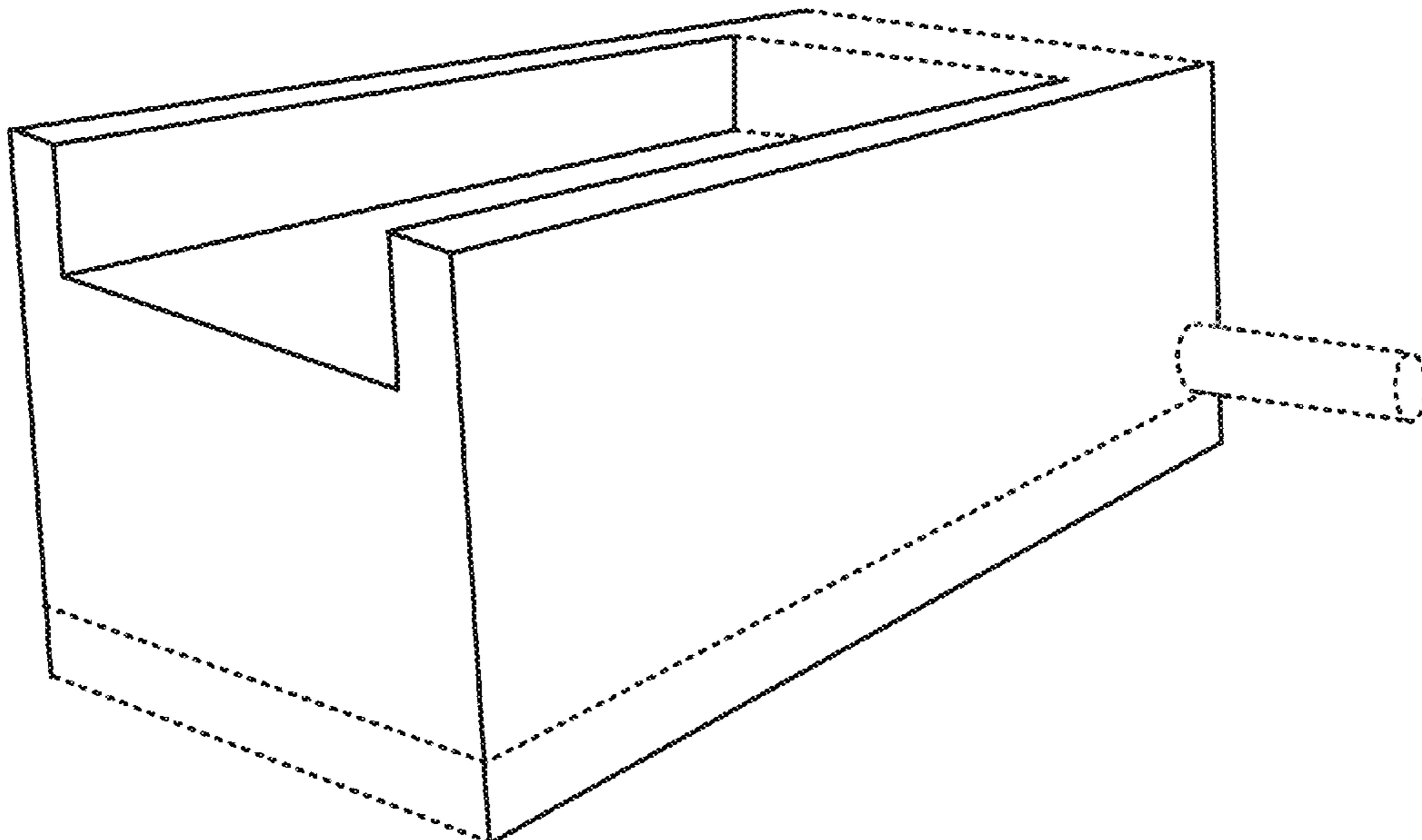
The ornamental design for an inflatable training device, as shown and described.

**DESCRIPTION**

FIG. 1 is a perspective view of an inflatable training device showing my new design;  
 FIG. 2 is a top view the inflatable training device of FIG. 1;  
 FIG. 3 is a bottom view the inflatable training device of FIG. 1;  
 FIG. 4 is a left side view of the inflatable training device of FIG. 1;  
 FIG. 5 is a right side view of the inflatable training device of FIG. 1;  
 FIG. 6 is a front view of the inflatable training device of FIG. 1; and,  
 FIG. 7 is a rear view of the inflatable training device of FIG. 1.

The broken lines shown in the figures are for the purpose of illustrating portions of the inflatable training device, which form no part of the claimed design.

**1 Claim, 7 Drawing Sheets**



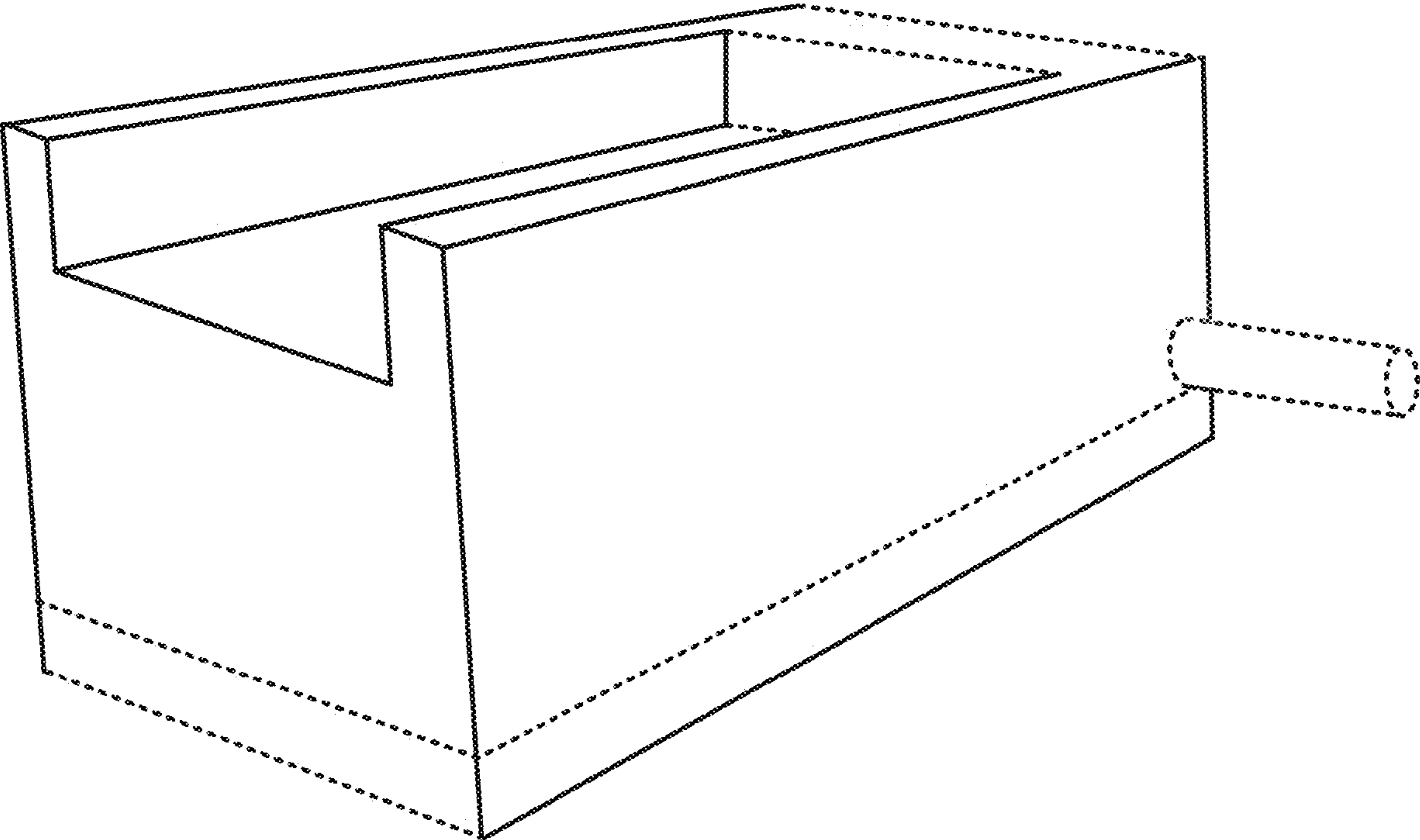


FIG. 1

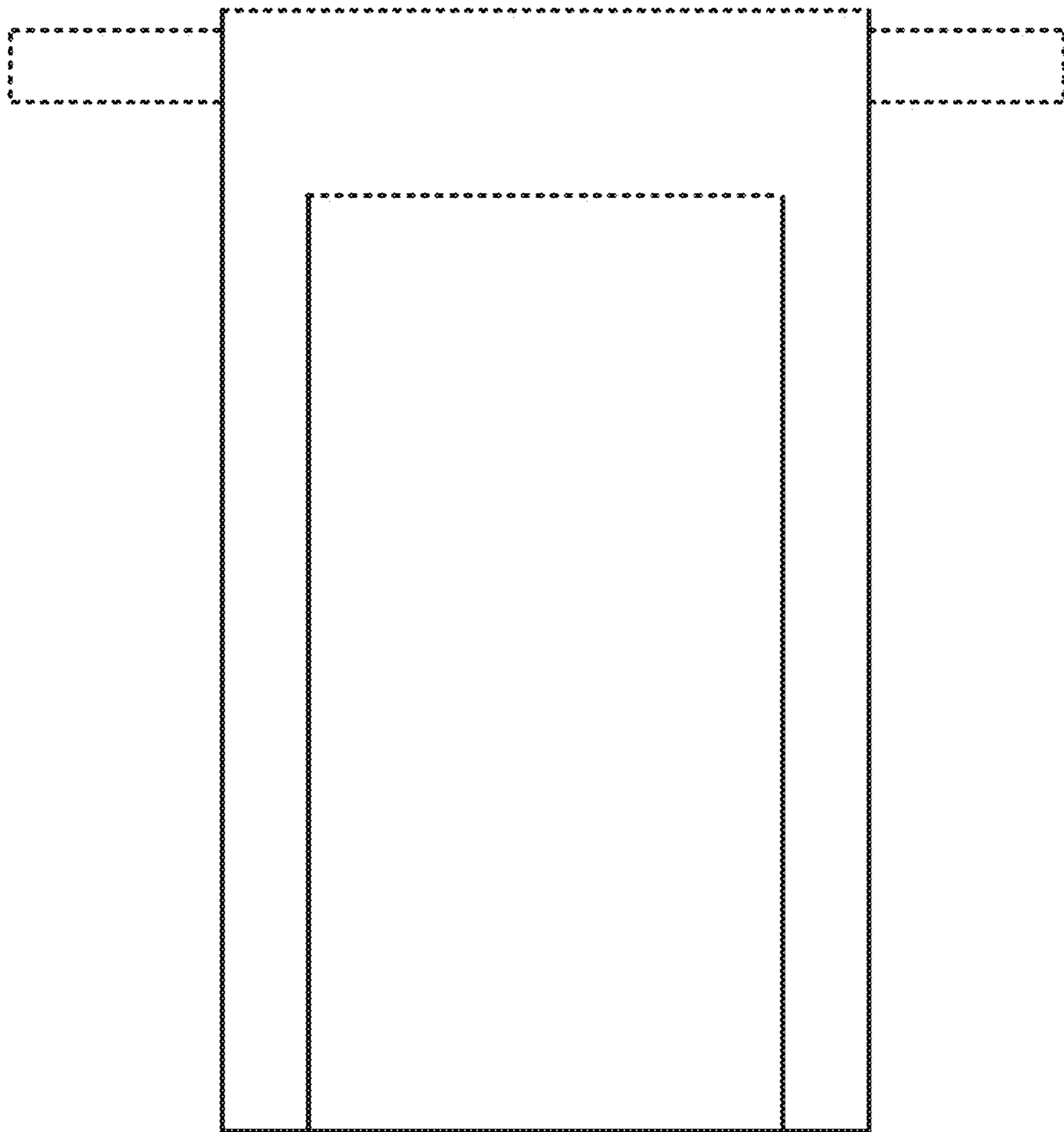


FIG. 2

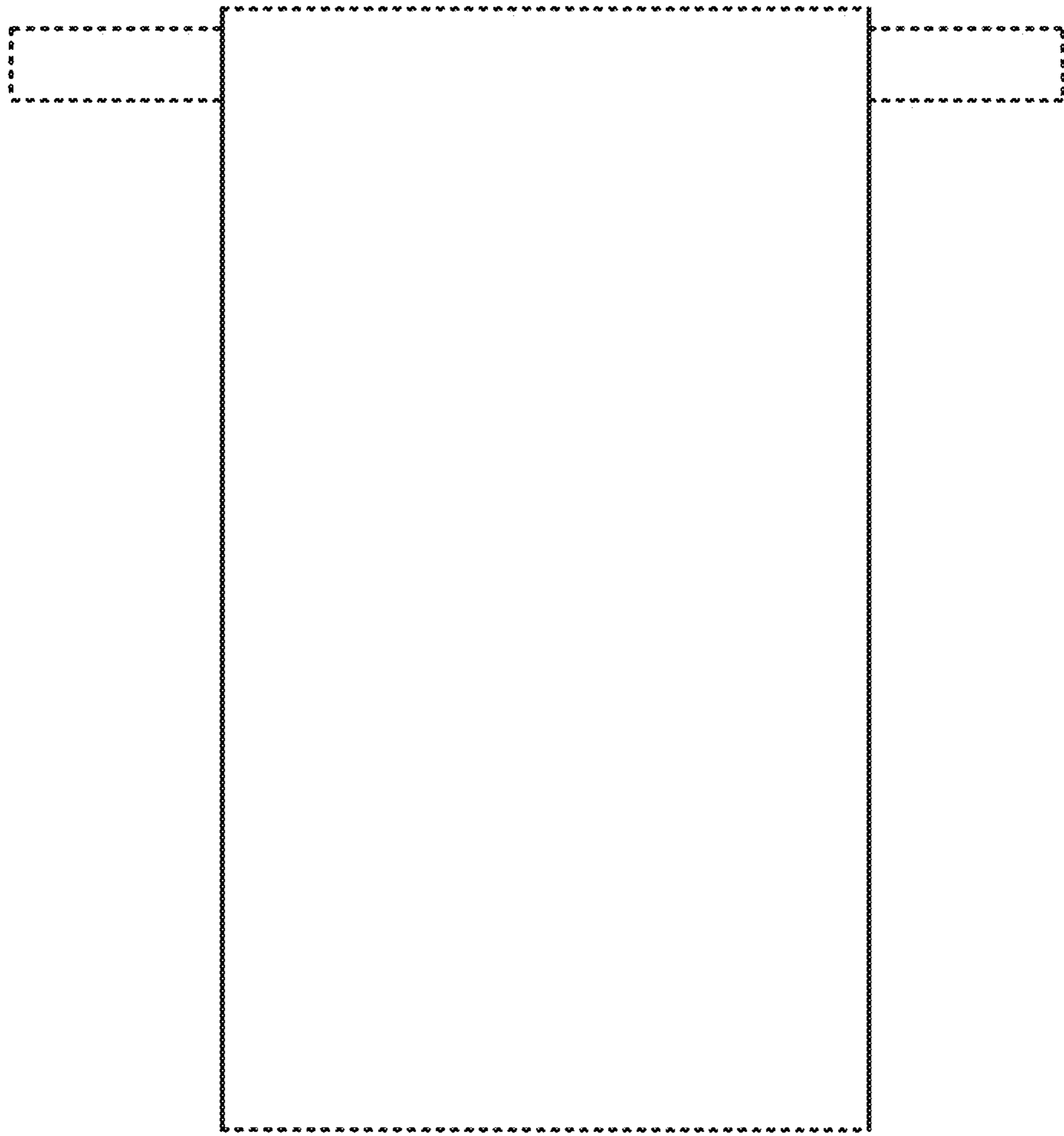


FIG. 3

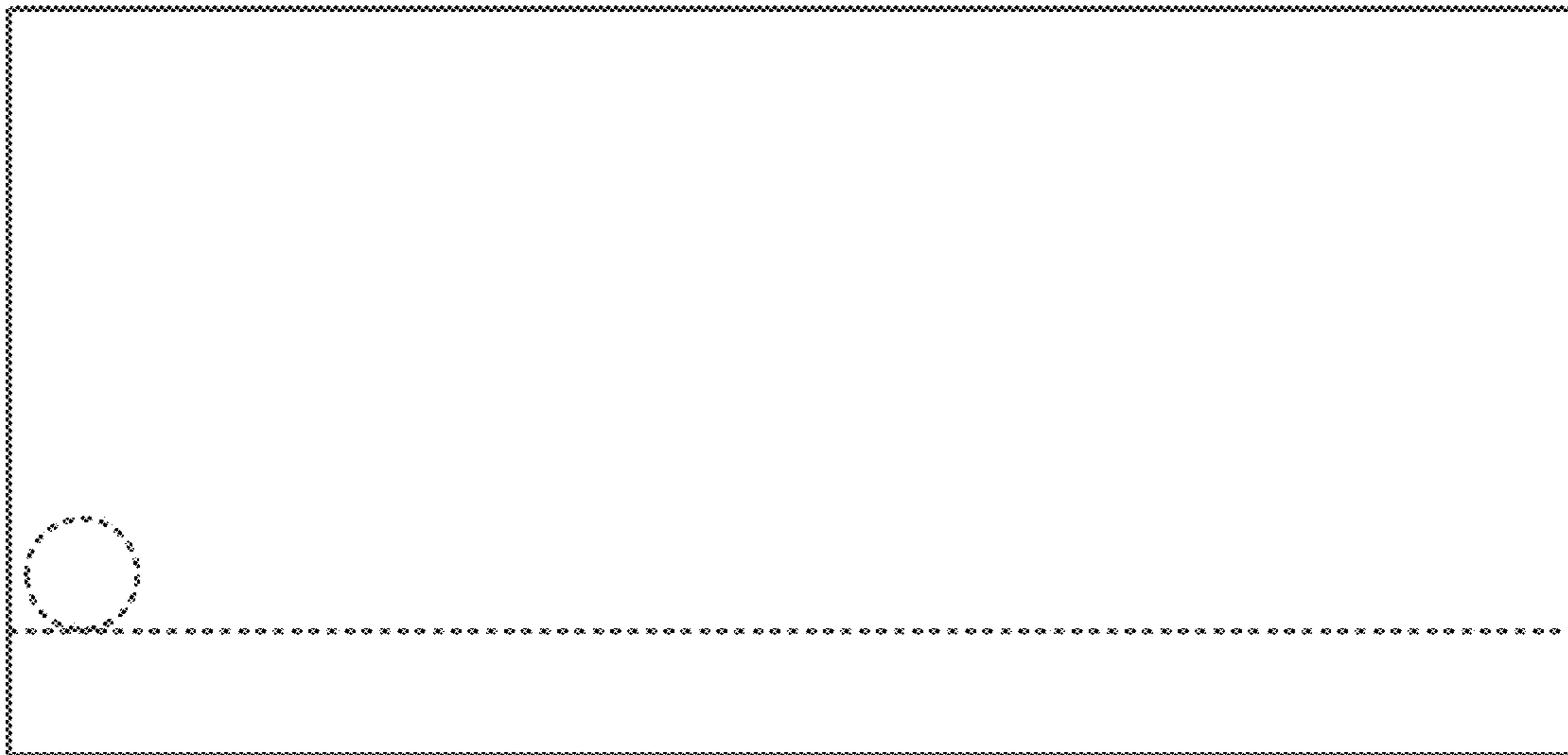


FIG. 4

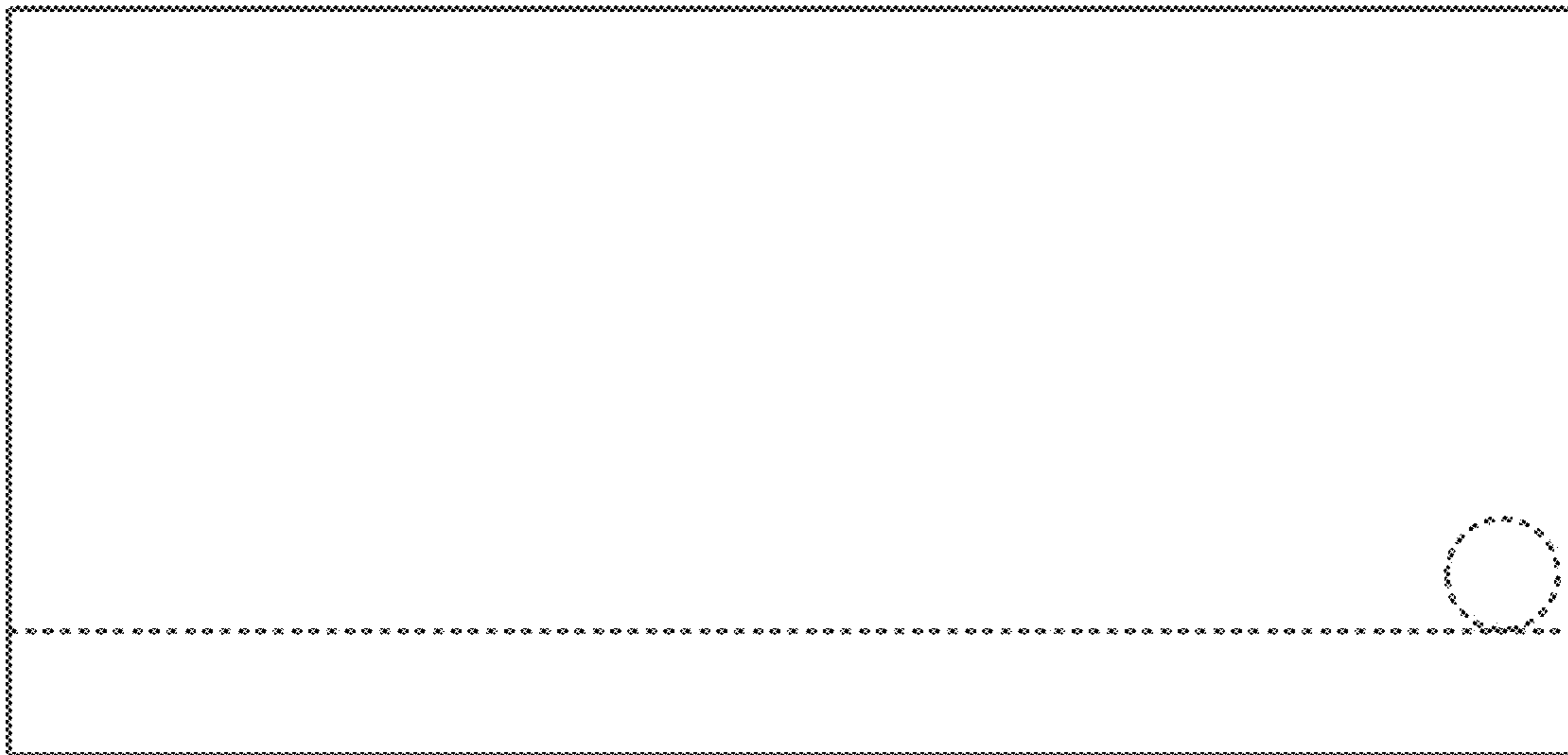


FIG. 5

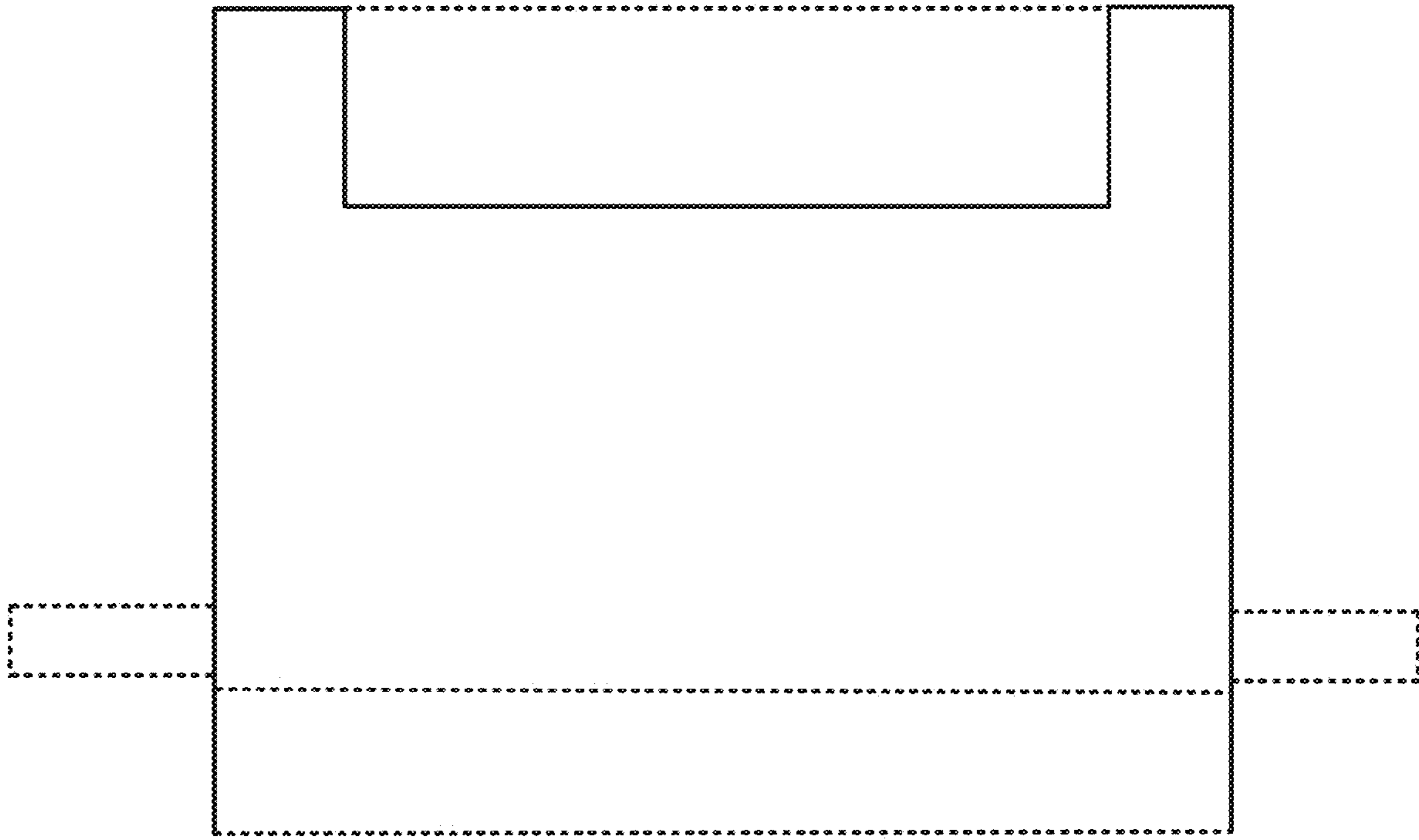


FIG. 6

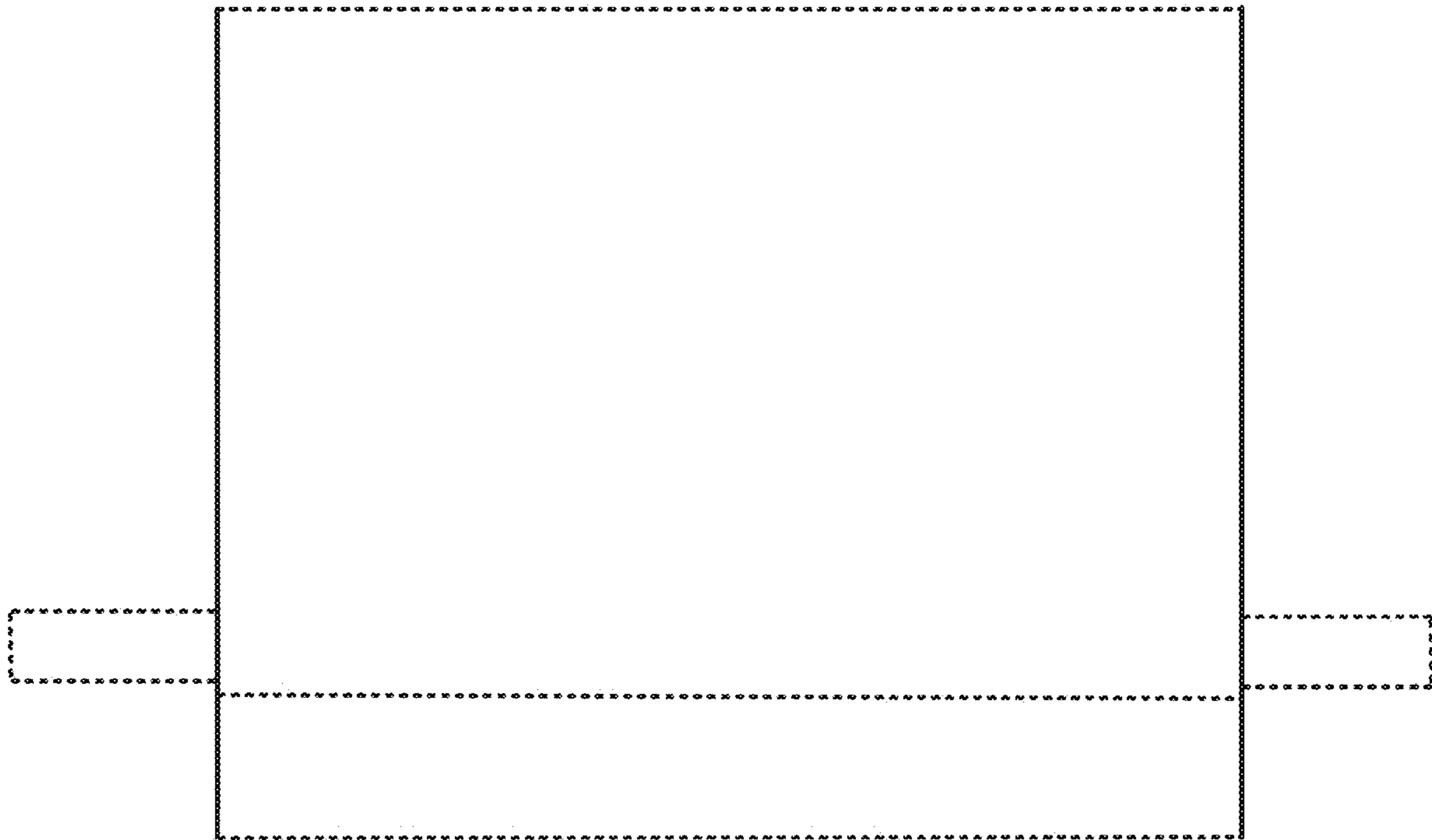


FIG. 7